

US00D597432S

(12) **United States Design Patent**
Auberger

(10) **Patent No.:** **US D597,432 S**

(45) **Date of Patent:** **** Aug. 4, 2009**

(54) **TRAFFIC CONE PLAYTHING**

(75) Inventor: **Benoit Auberger**, La Meilleraie Tillay (FR)

(73) Assignee: **WESCO S.A.**, Cerizay (FR)

(**) Term: **14 Years**

(21) Appl. No.: **29/321,651**

(22) Filed: **Jul. 21, 2008**

(30) **Foreign Application Priority Data**

Jan. 22, 2008 (EM) 865167-0012

(51) **LOC (9) Cl.** **10-05**

(52) **U.S. Cl.** **D10/113; D21/483**

(58) **Field of Classification Search** D10/109, D10/113, 114; D20/10, 39-43; 116/63 R, 116/63 P, 63 T, 63 C, 28 R, 209; 40/584, 40/606, 607, 608, 611, 612; 404/4-16
See application file for complete search history.

(56) **References Cited**

U.S. PATENT DOCUMENTS

2,808,803 A * 10/1957 Weig 116/63 R

5,566,638 A * 10/1996 Rokosny 116/63 C
6,338,311 B1 * 1/2002 Ho 116/63 C
2004/0159280 A1 * 8/2004 Mohelsky et al. 116/63 C

* cited by examiner

Primary Examiner—Caron Veynar

Assistant Examiner—George D Kirschbaum

(74) *Attorney, Agent, or Firm*—Westerman, Hattori, Daniels & Adrian, LLP.

(57) **CLAIM**

The ornamental design for traffic cone plaything, as shown and described.

DESCRIPTION

FIG. 1 is a perspective view of a traffic cone plaything, showing my new design;

FIG. 2 is a front view thereof;

FIG. 3. is a top view thereof;

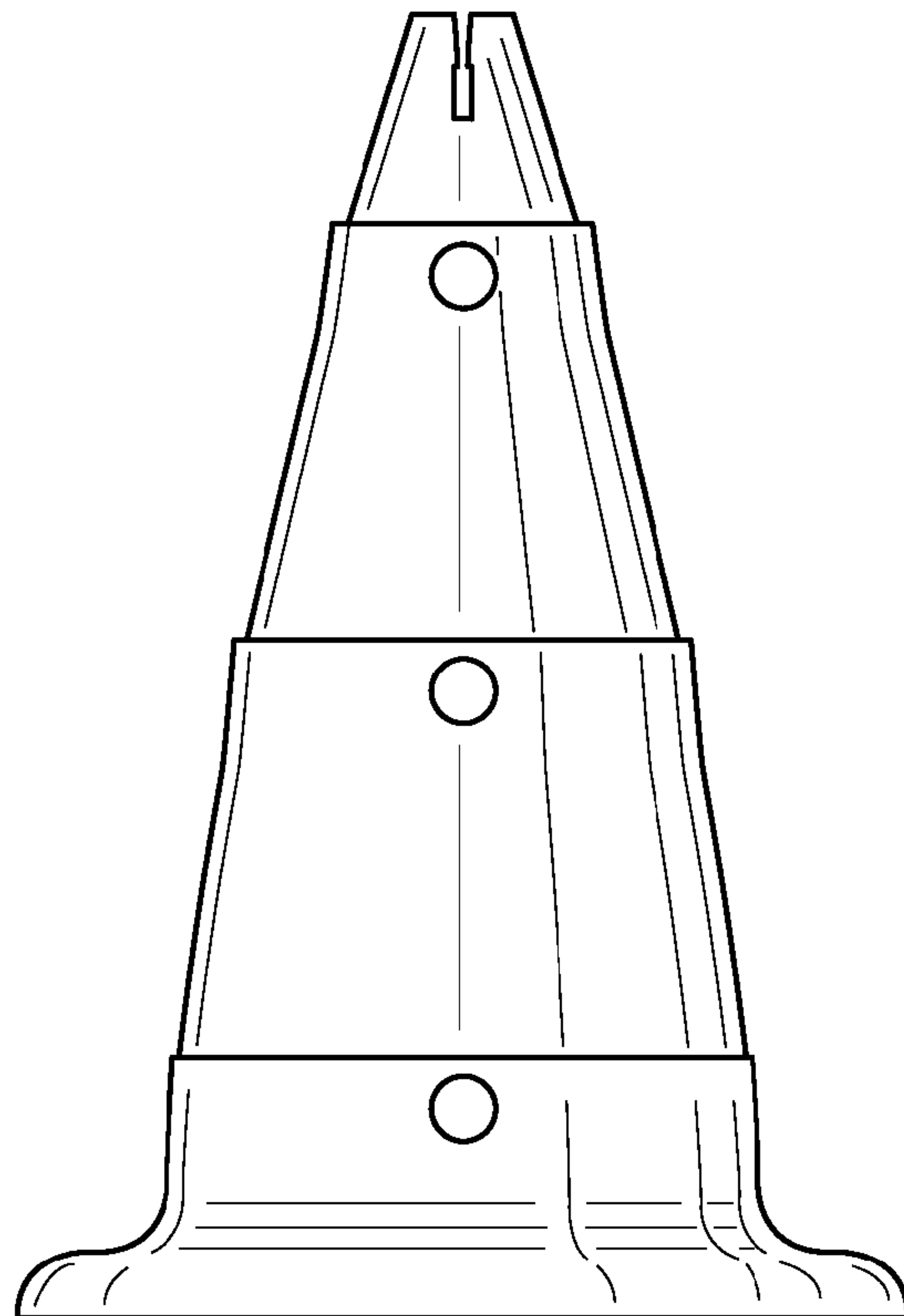
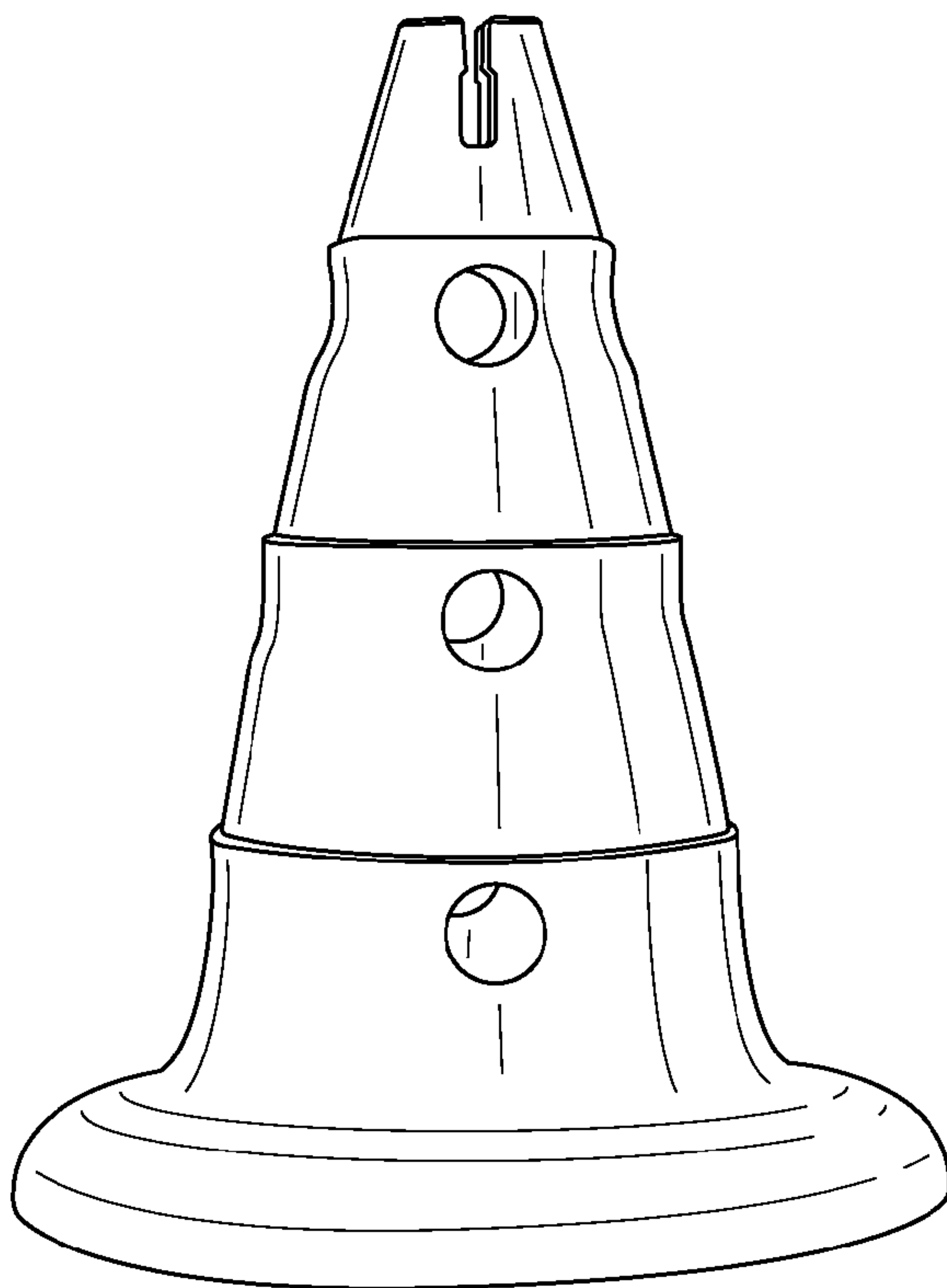
FIG. 4 is a back view thereof;

FIG. 5 is a bottom view thereof;

FIG. 6 is a left side view thereof; and,

FIG. 7 is a right side view thereof.

1 Claim, 4 Drawing Sheets



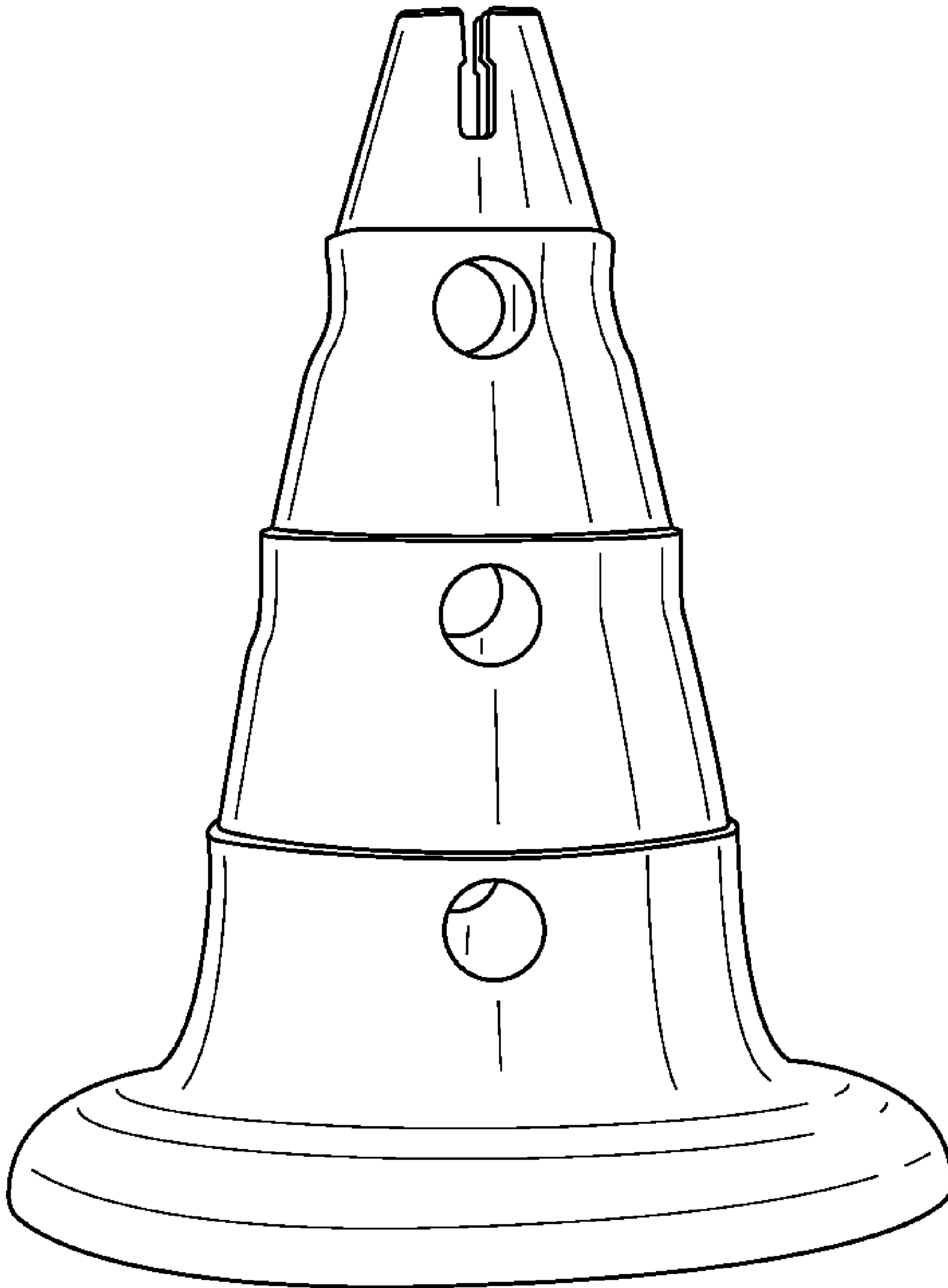


FIG. 1

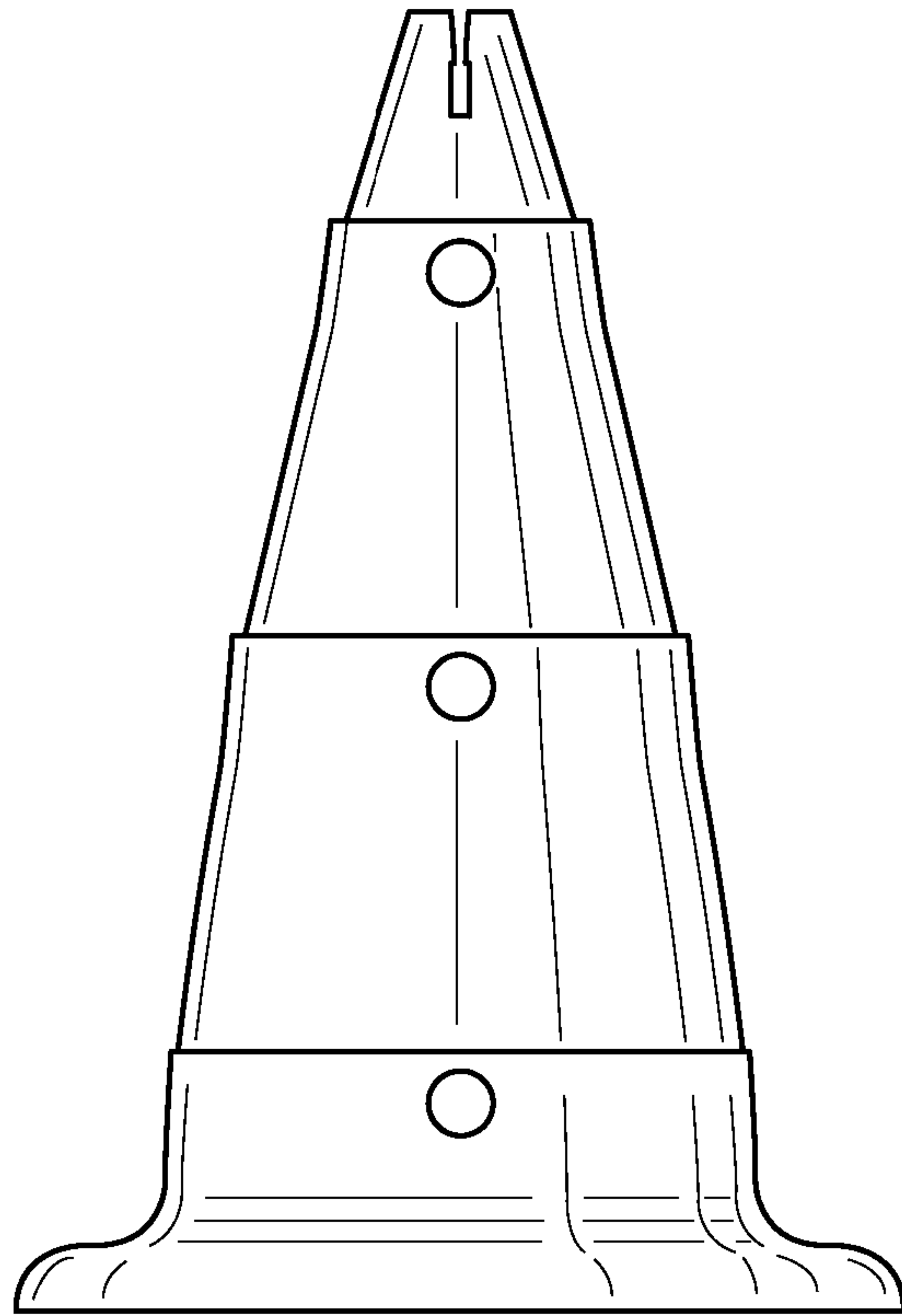


FIG. 2

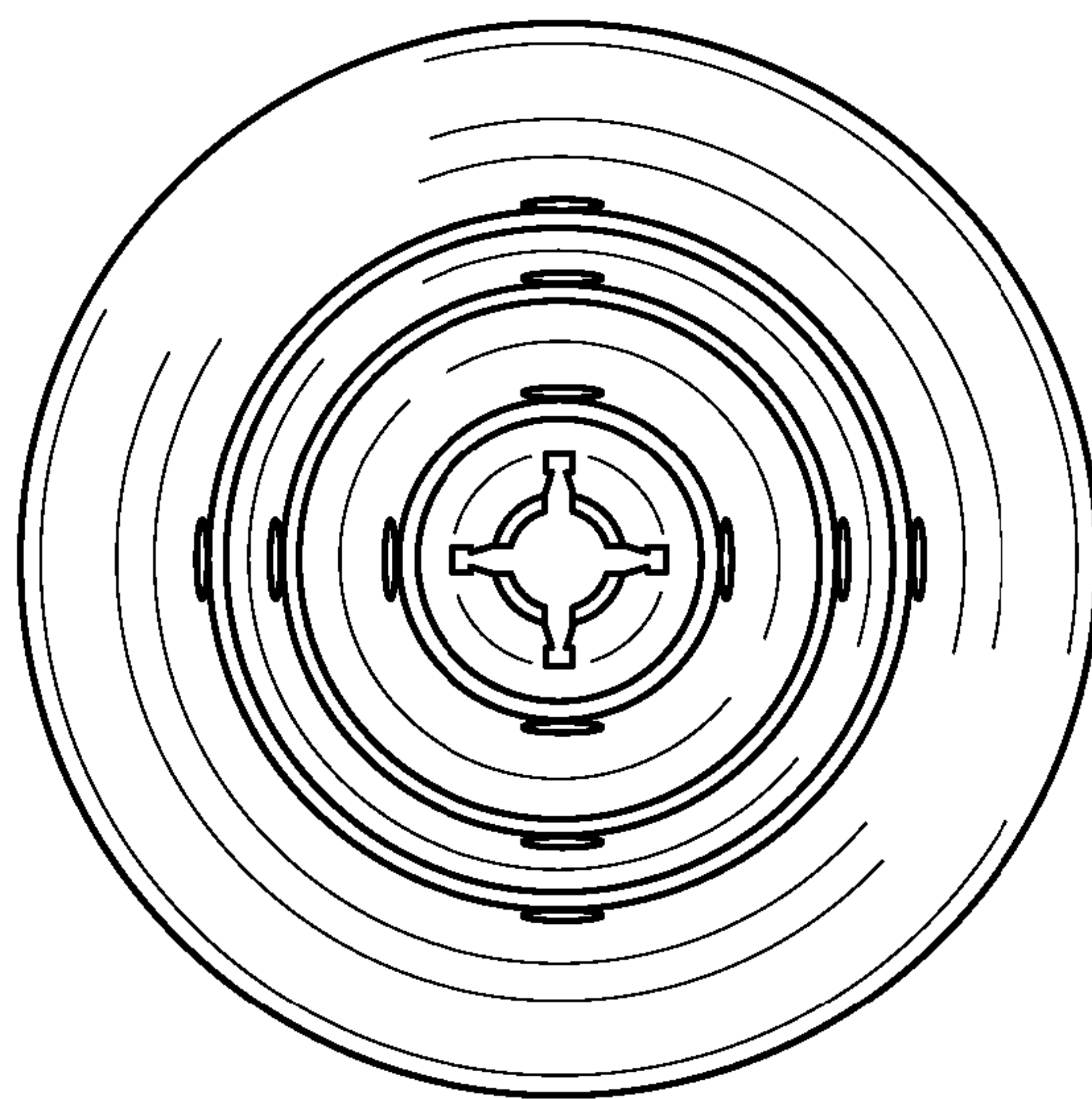


FIG. 3

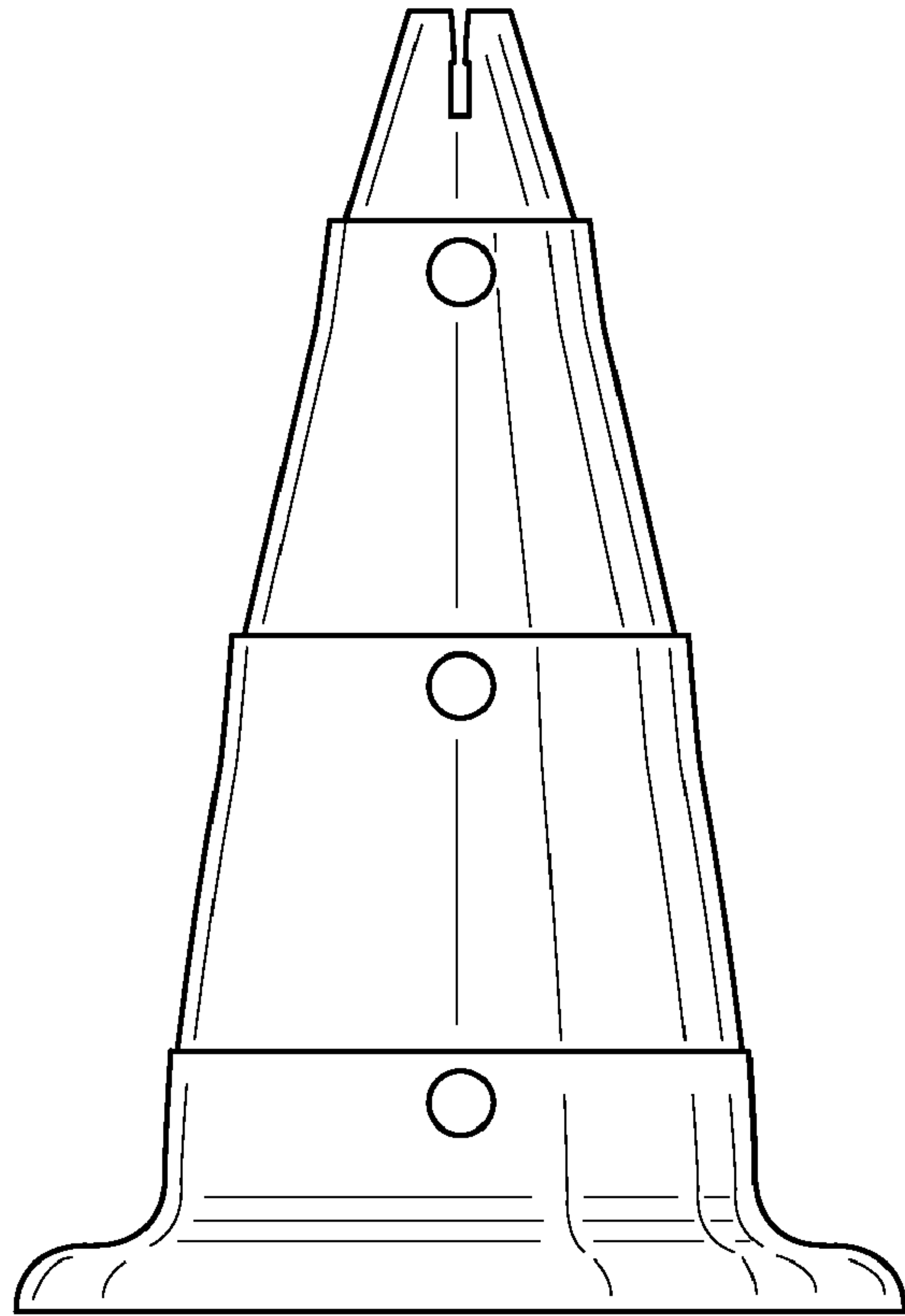


FIG. 4

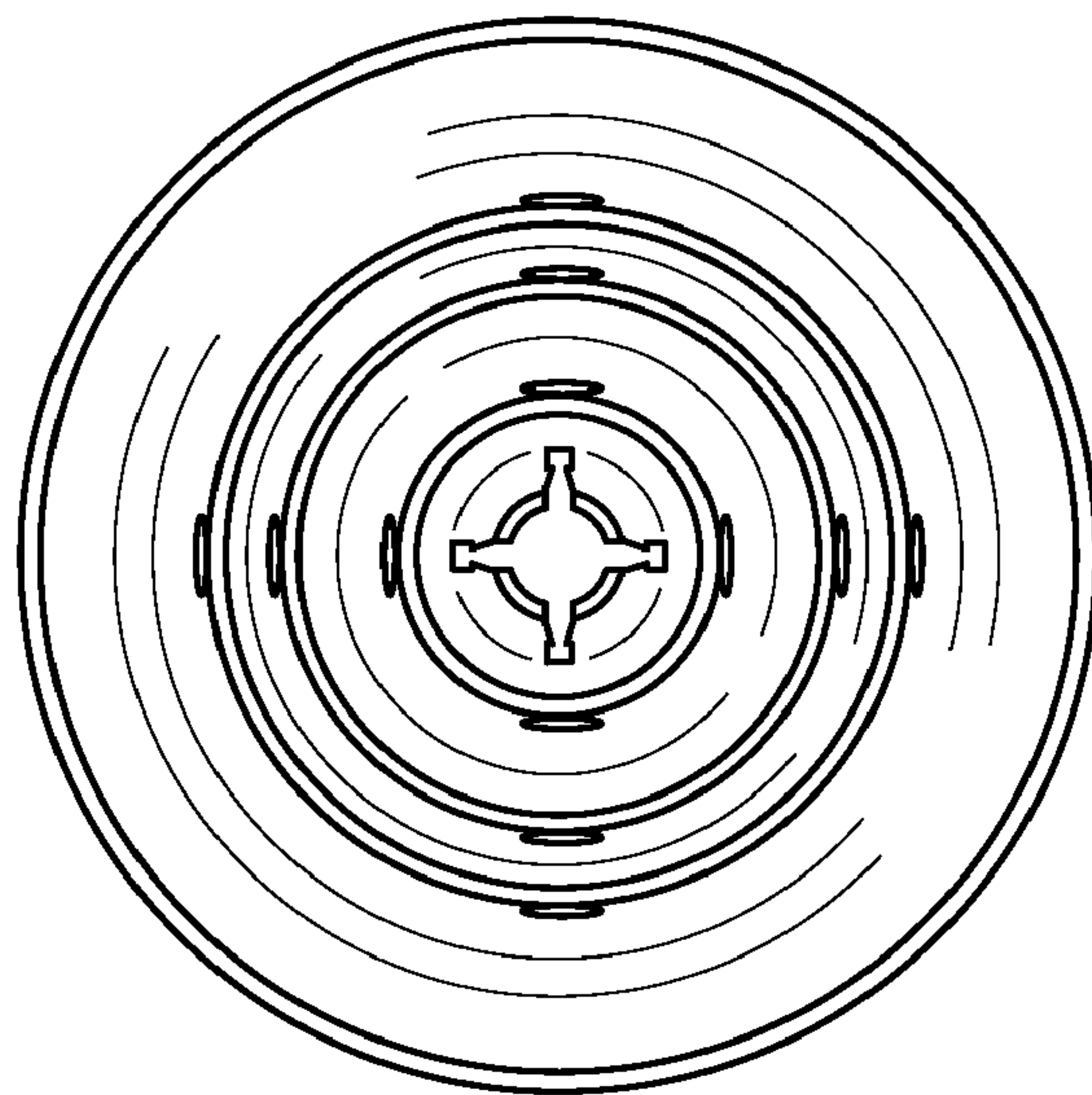


FIG. 5

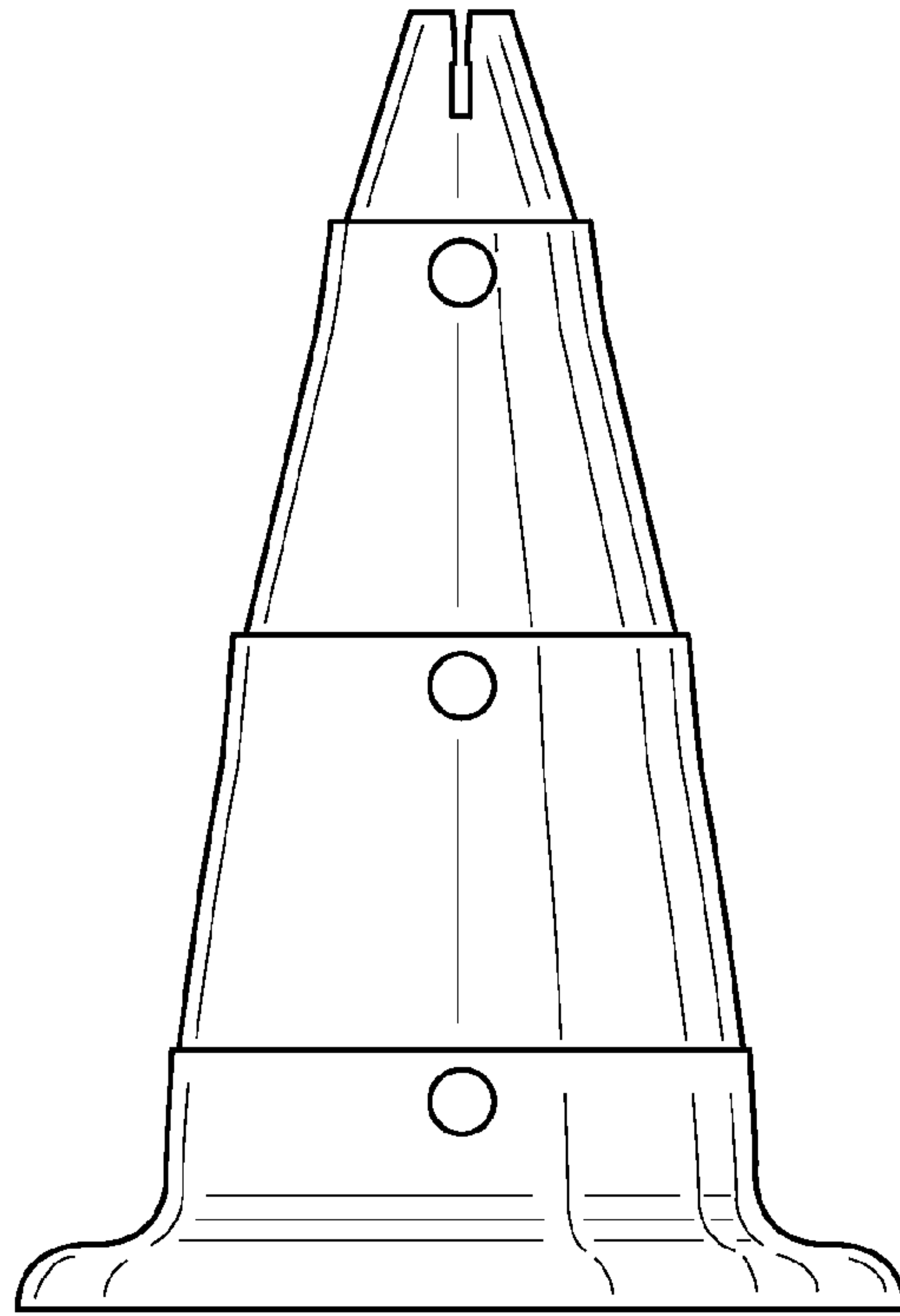


FIG. 6

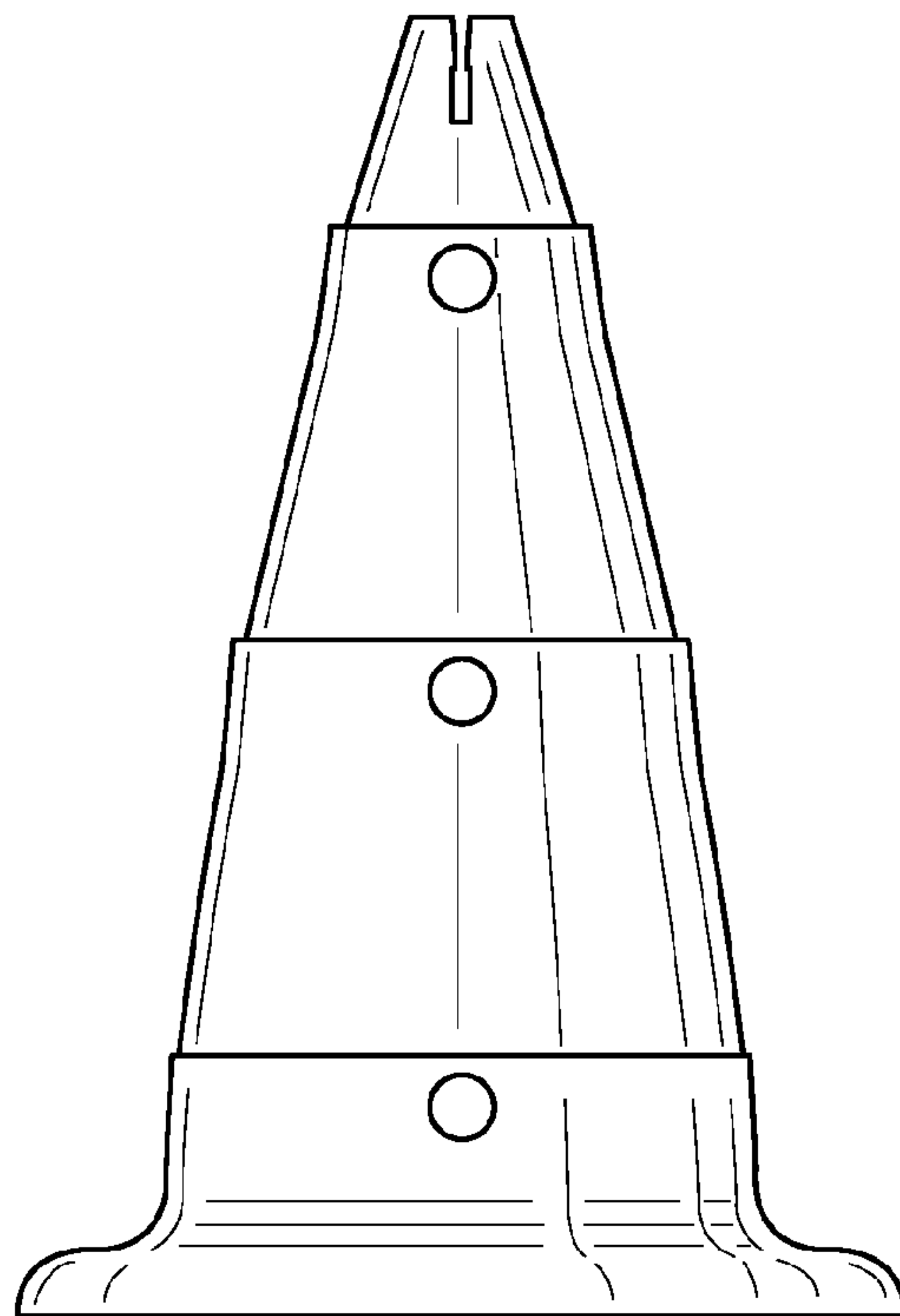


FIG. 7