

US00D597430S

(12) **United States Design Patent**
Sloan et al.

(10) **Patent No.:** **US D597,430 S**

(45) **Date of Patent:** **** Aug. 4, 2009**

(54) **OCCUPANCY SENSOR**

(75) Inventors: **Greg Edward Sloan**, Allentown, PA
(US); **Andrew Peter Schmalz**,
Macungie, PA (US)

(73) Assignee: **Lutron Electronics Co., Inc.**,
Coopersburg, PA (US)

(**) Term: **14 Years**

(21) Appl. No.: **29/322,082**

(22) Filed: **Jul. 29, 2008**

(51) **LOC (9) Cl.** **10-05**

(52) **U.S. Cl.** **D10/104; D10/106**

(58) **Field of Classification Search** D10/104,
D10/106, 70; 340/584, 567, 541, 501; D13/152,
D13/169, 171; 709/217; 174/535; 248/218.4;
455/420; 361/674, 748; 362/431, 432; D14/155;
438/667; 250/353; 323/282; 315/246

See application file for complete search history.

(56) **References Cited**

U.S. PATENT DOCUMENTS

- D354,925 S * 1/1995 Eggers et al. D10/106
- D360,156 S * 7/1995 Fenne D10/106
- D360,842 S 8/1995 Hu
- D374,189 S * 10/1996 Hubben D10/106
- D399,157 S * 10/1998 Hsu et al. D10/106
- D401,175 S 11/1998 Bender et al.
- D404,325 S 1/1999 Bender et al.
- D404,326 S 1/1999 Bender et al.
- 6,222,191 B1 * 4/2001 Myron et al. 250/353
- 6,388,399 B1 5/2002 Eckel et al.

- D494,235 S 8/2004 Edwards
- D561,630 S * 2/2008 Bandringa et al. D10/106
- 7,411,489 B1 * 8/2008 Elwell et al. 340/501
- D588,484 S * 3/2009 Bandringa et al. D10/104
- 2007/0230142 A1 * 10/2007 Engel et al. 361/748

OTHER PUBLICATIONS

- Lutron Electronics Co., Inc., Occupancy Sensor Quick Reference Guide, Apr. 2006, pp. 1-4.
- Lutron Electronics Co., Inc., LOS-CIR Series Infrared Ceiling Mount Sensor Specification Submittal Sheet, Sep. 4, 2008, pp. 1-7.
- Lutron Electronics Co., Inc., MW-PS-WH microPS Daylight Sensor Specification Submittal Sheet, Apr. 1, 2004, pp. 1-4.
- The Watt Stopper, CI-200 Version 2, 360° PIR Occupancy Sensor Installation Instructions, Sep. 1999, 8 sheets.
- Sensor Switch, Inc., CM-9 Series Standard Range Ceiling Mount Sensor Specification Sheet, Jun. 9, 2006, 2 sheets.
- Visonic Ltd, Duo 240 Ceiling-Mount Dual Technology Intusion Detector Installation Instructions, Jul. 2008, pp. 1-4.
- Visonic Ltd, Disc Ceiling Mount PIR Detector, Apr. 2008 pp. 1-2.

* cited by examiner

Primary Examiner—Caron Veynar
Assistant Examiner—George D Kirschbaum
(74) *Attorney, Agent, or Firm*—Ostrolenk Faber LLP

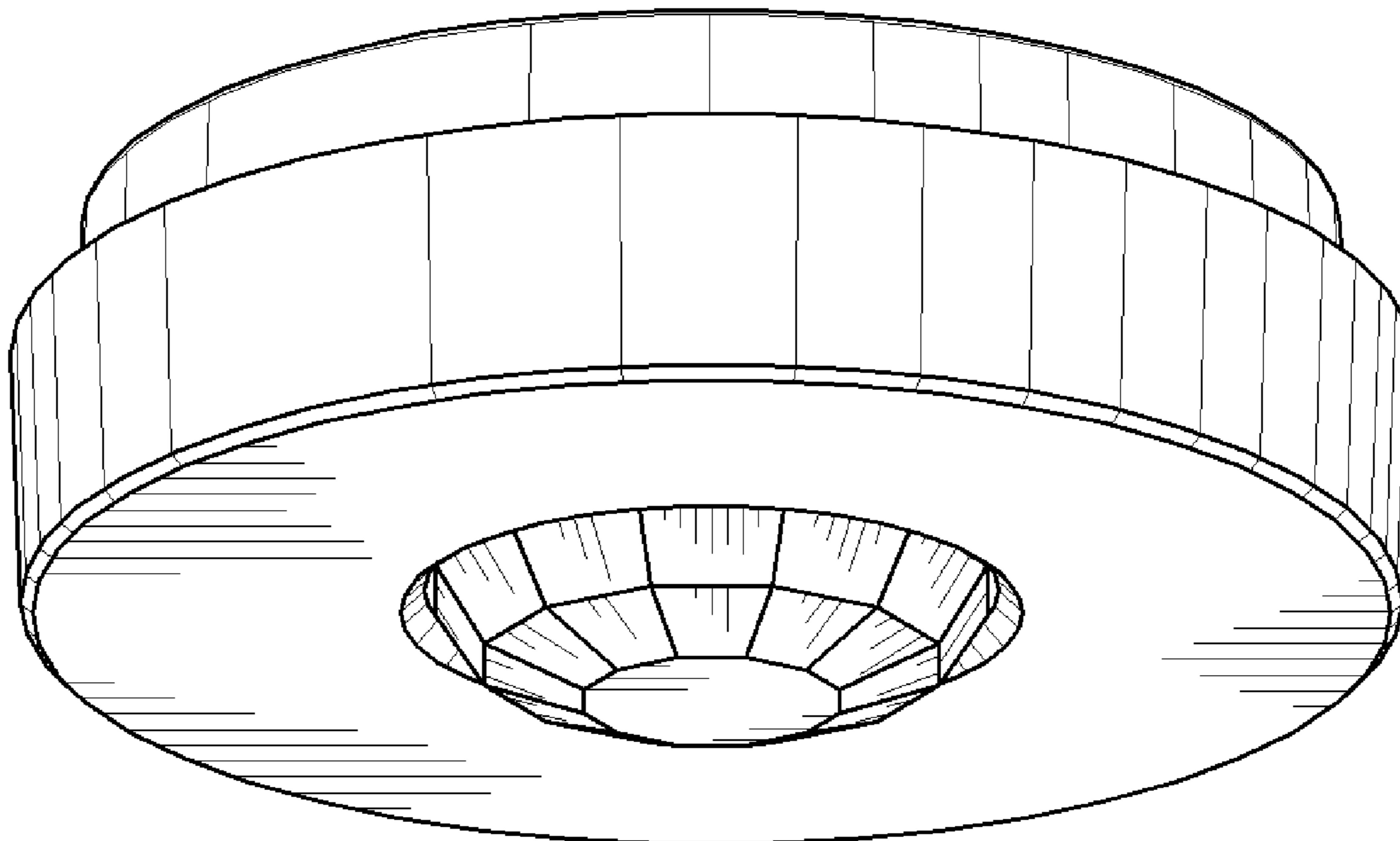
(57) **CLAIM**

The design for an occupancy sensor, as shown and described.

DESCRIPTION

FIG. 1 is a perspective view of the top of the occupancy sensor, seen from one side of the occupancy sensor;
FIG. 2 is a top plan view of the occupancy sensor; and,
FIG. 3 is a side elevation view of the occupancy sensor.

1 Claim, 2 Drawing Sheets



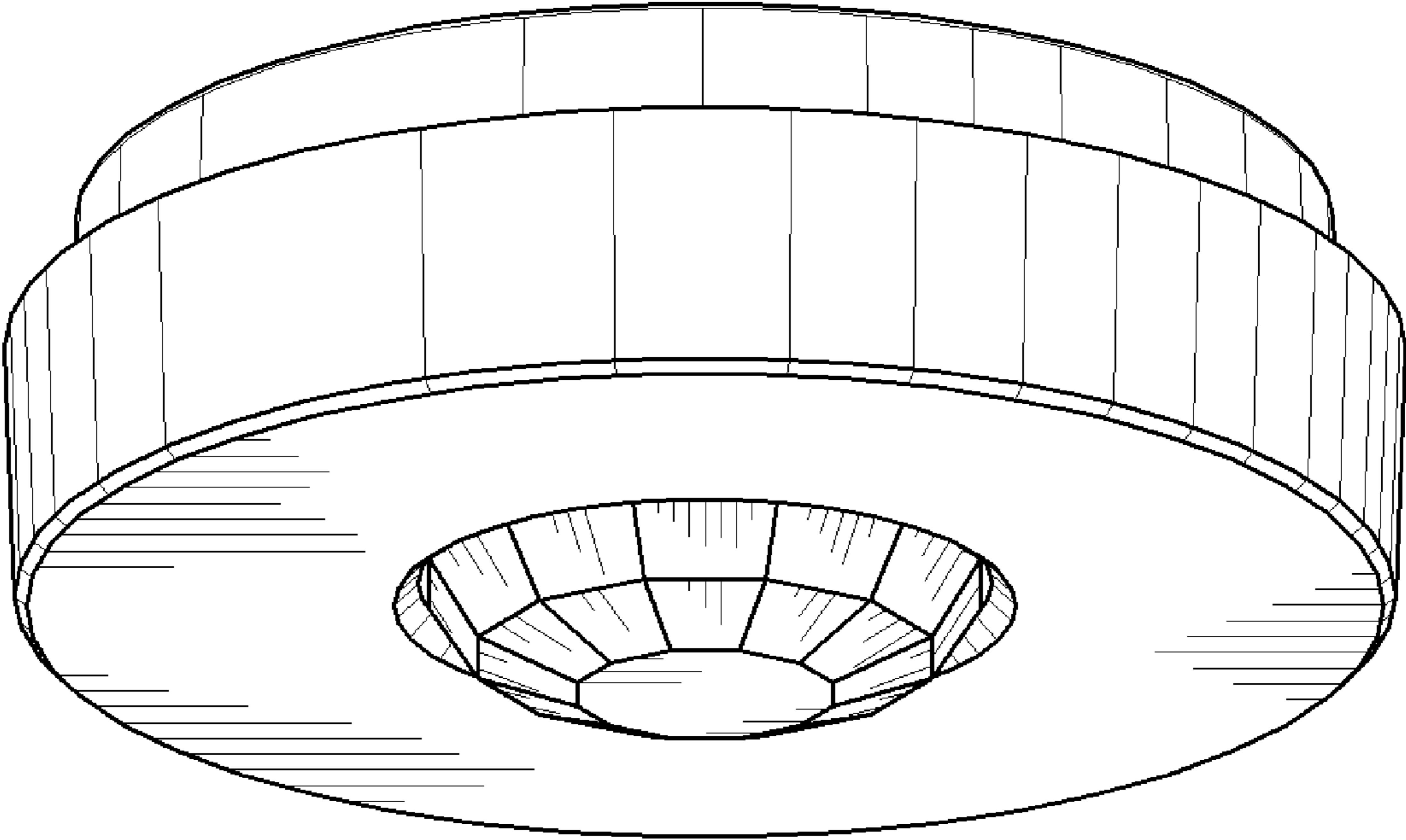


Fig. 1

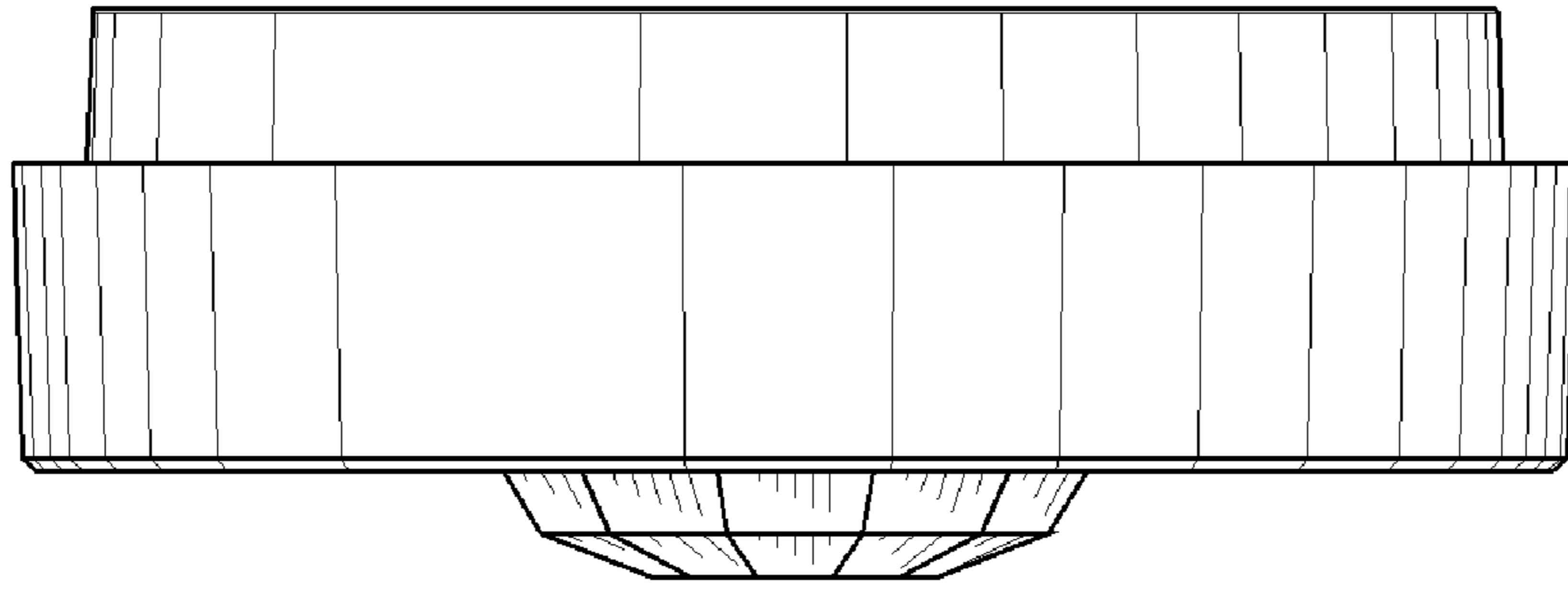


Fig. 3

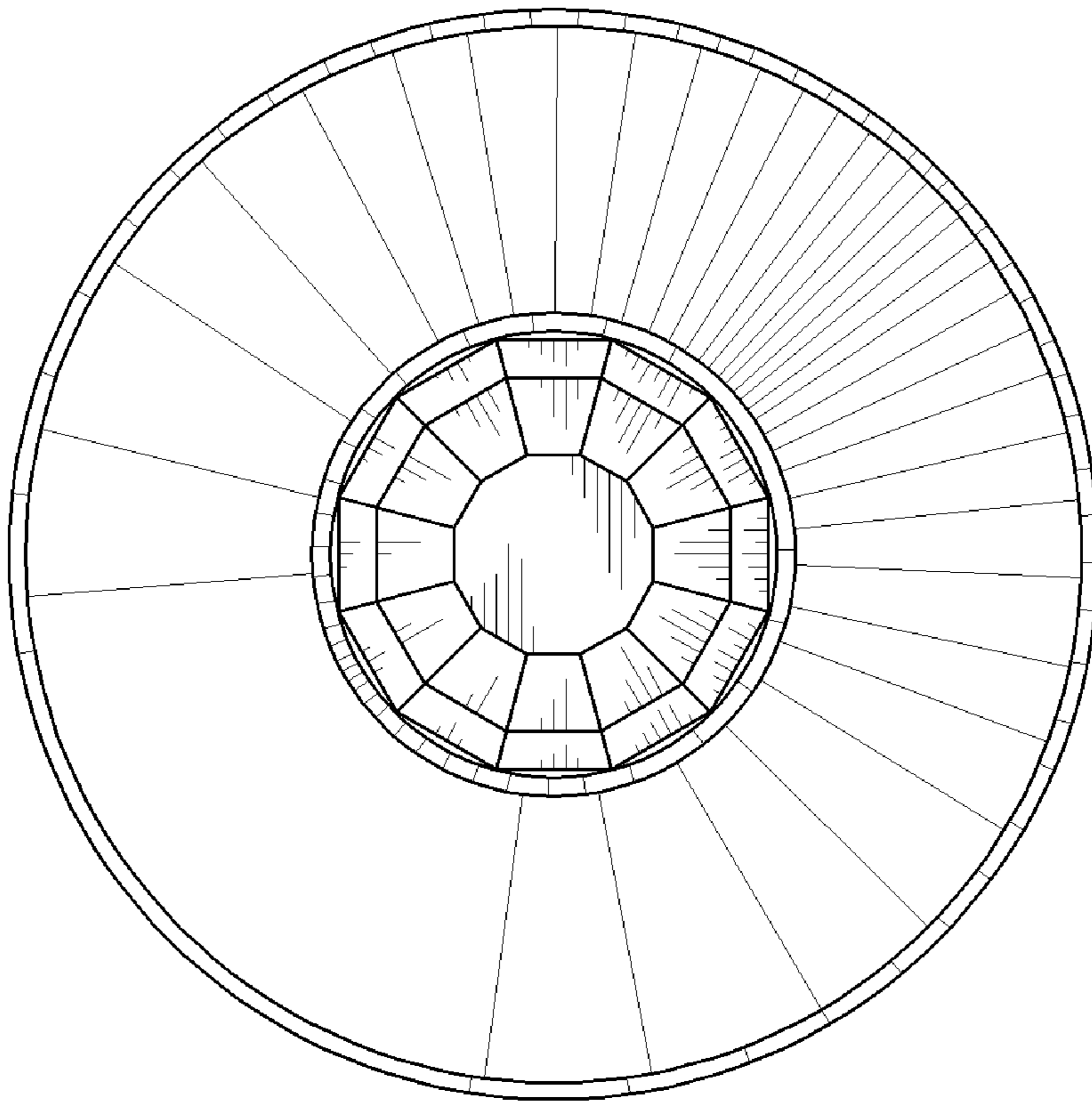


Fig. 2