



US00D597428S

(12) **United States Design Patent**  
**Sato et al.**

(10) **Patent No.:** **US D597,428 S**

(45) **Date of Patent:** **\*\* Aug. 4, 2009**

(54) **INFRARED RAY SENSOR**

(75) Inventors: **Masayuki Sato**, Tokyo (JP); **Toshiaki Fukunaka**, Tokyo (JP)

(73) Assignee: **Asahi Kasei EMD Corporation**, Tokyo (JP)

(\*\*) Term: **14 Years**

(21) Appl. No.: **29/287,806**

(22) Filed: **Sep. 21, 2007**

(30) **Foreign Application Priority Data**

Apr. 2, 2007 (JP) ..... 2007-008486

(51) **LOC (9) Cl.** ..... **10-05**

(52) **U.S. Cl.** ..... **D10/104**

(58) **Field of Classification Search** ..... D10/104,  
D10/106; 340/584, 567; D13/152; 709/217;  
174/535; 248/218.4; 455/420; 361/674;  
362/431, 432; D14/155; 438/667; 250/353  
See application file for complete search history.

(56) **References Cited**

**U.S. PATENT DOCUMENTS**

D354,925 S \* 1/1995 Eggers et al. .... D10/106  
D374,189 S \* 10/1996 Hubben ..... D10/106

D388,088 S \* 12/1997 Bond et al. .... D14/155  
D412,456 S \* 8/1999 Uehara ..... D10/106  
6,163,025 A \* 12/2000 Pantus ..... 250/338.3  
6,218,667 B1 \* 4/2001 Nonaka et al. .... 250/353  
2008/0254618 A1 \* 10/2008 Umemoto et al. .... 438/667

\* cited by examiner

*Primary Examiner*—Caron Veynar

*Assistant Examiner*—George D Kirshbaum

(74) *Attorney, Agent, or Firm*—Finnegan, Henderson, Farabow, Garrett & Dunner, L.L.P.

(57) **CLAIM**

The ornamental design for an infrared ray sensor, as shown and described.

**DESCRIPTION**

FIG. 1 is a top, front, right side perspective view thereof,  
FIG. 2 is a front elevational view thereof,  
FIG. 3 is a rear elevational view thereof,  
FIG. 4 is a right side elevational view thereof,  
FIG. 5 is a left side elevational view thereof,  
FIG. 6 is a top plan view thereof,  
FIG. 7 is a bottom plan view thereof; and,  
FIG. 8 is a bottom, front, right side perspective view thereof.

**1 Claim, 3 Drawing Sheets**

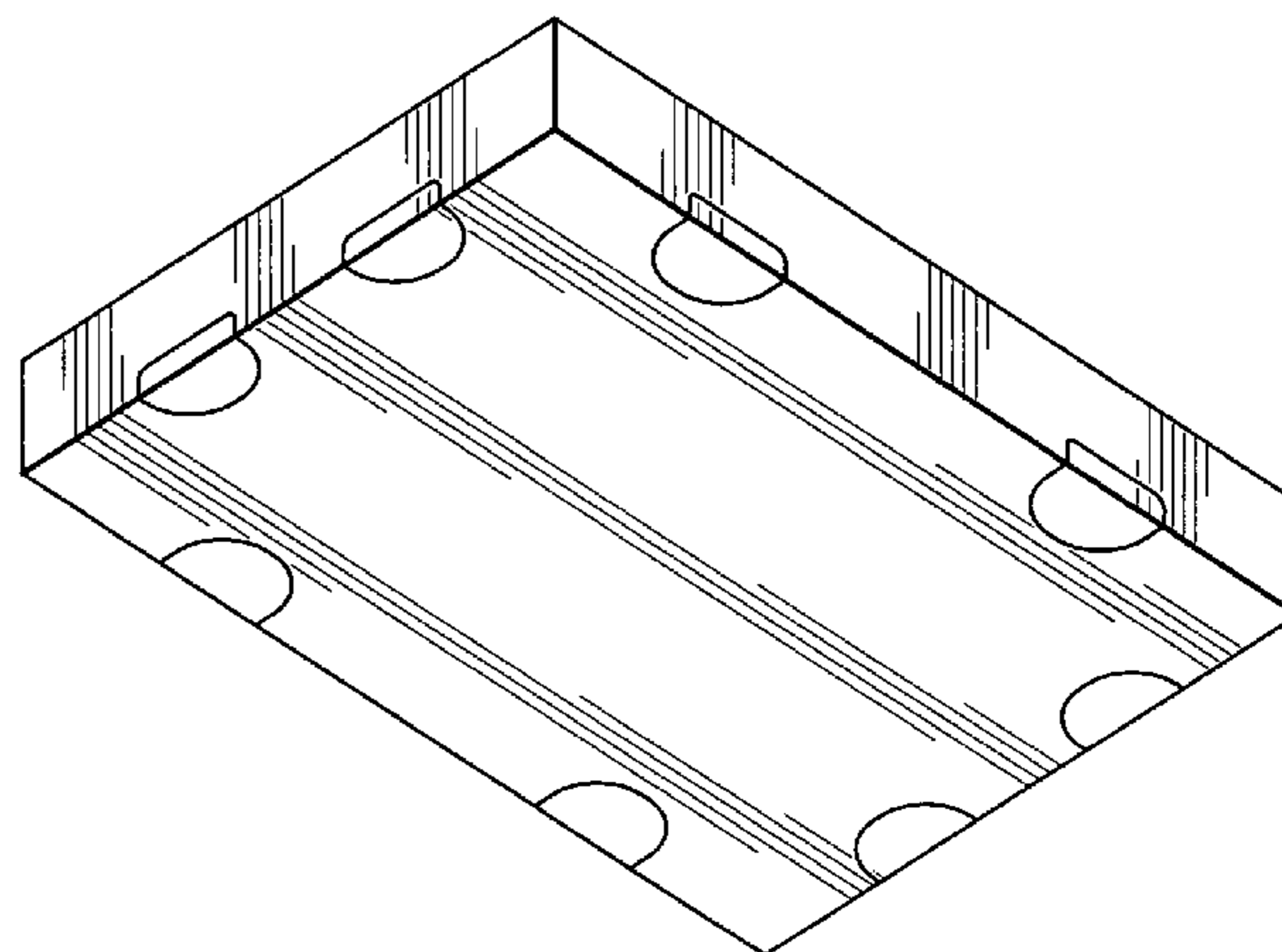
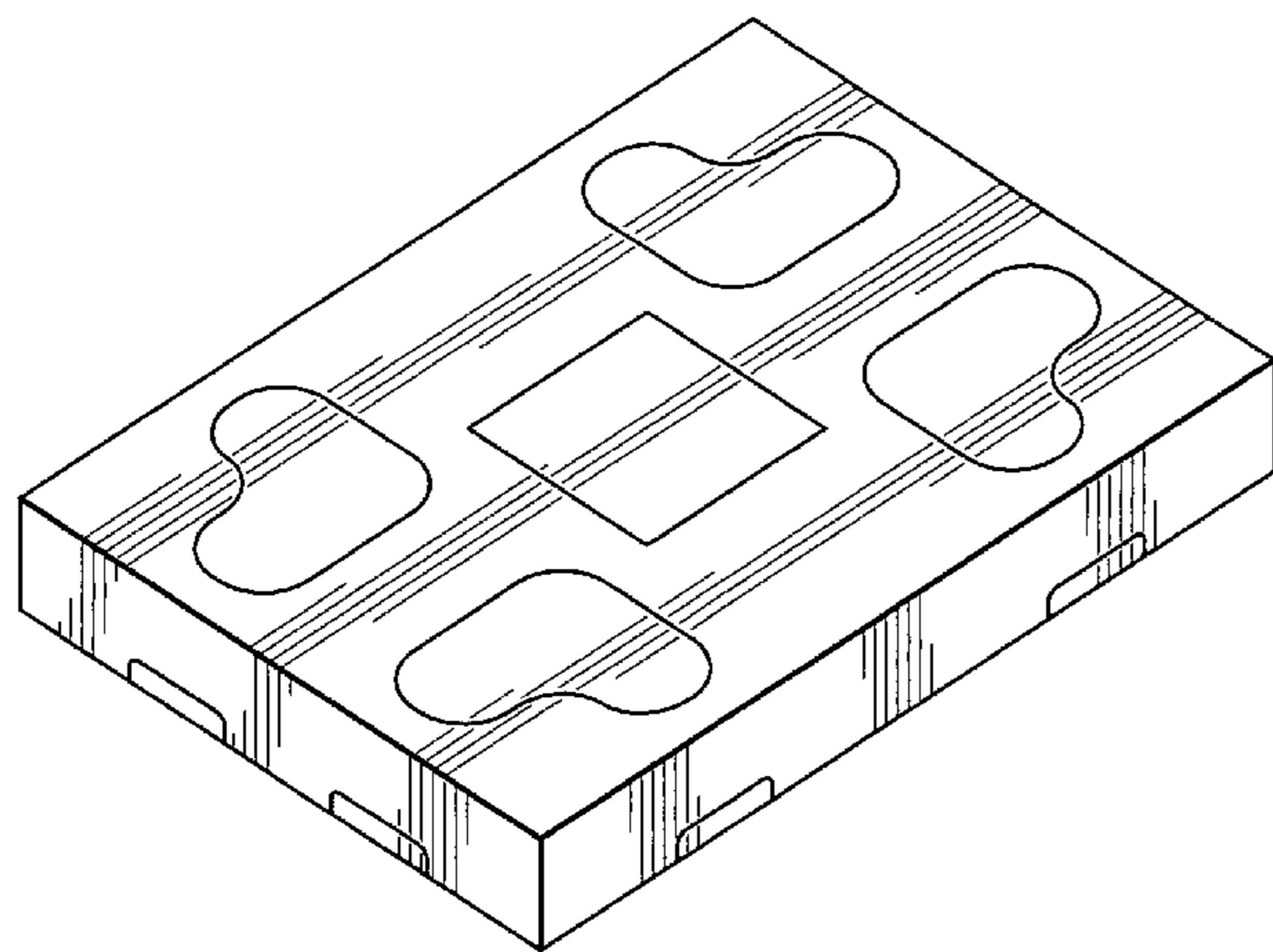


FIG. 1

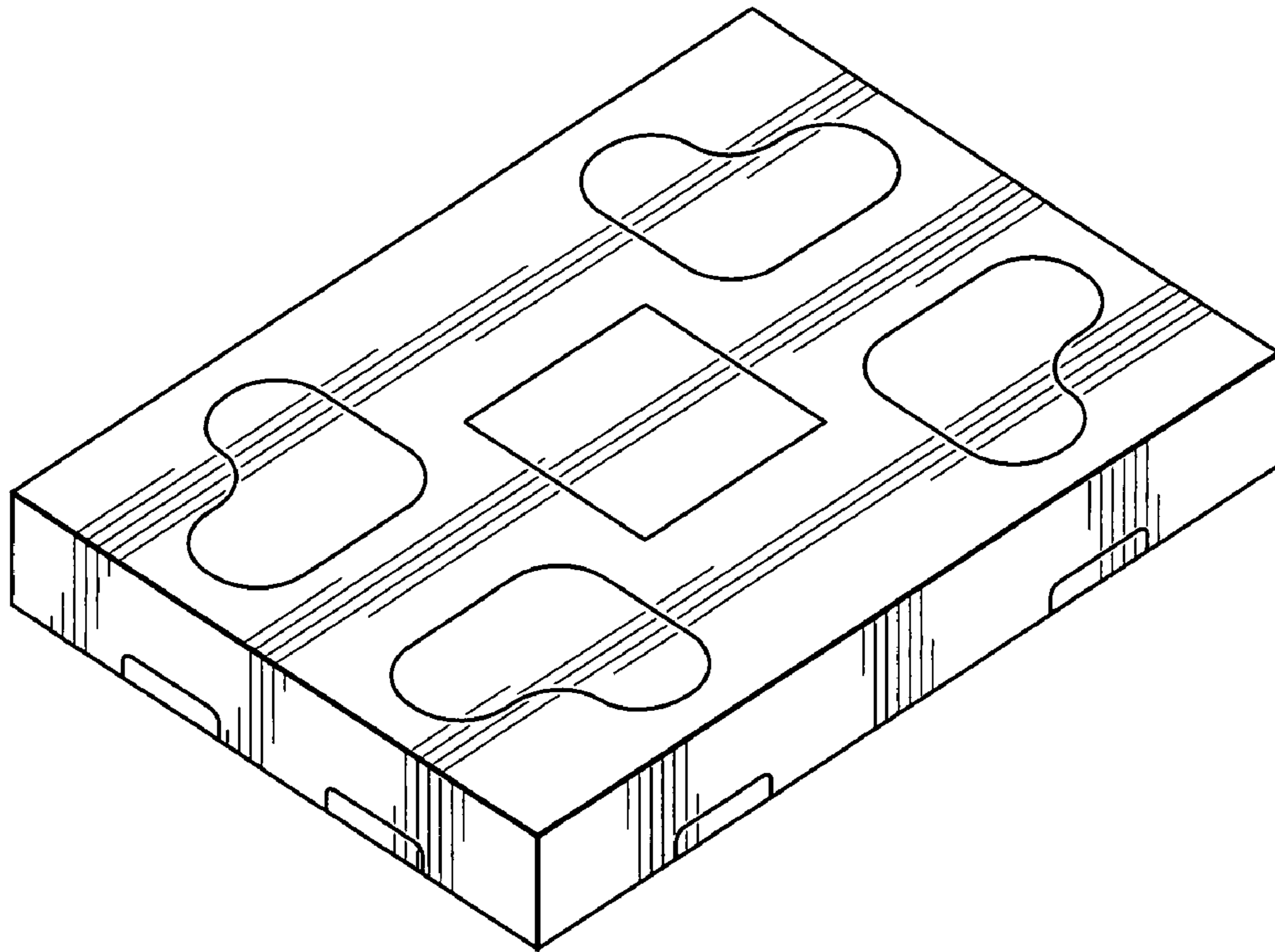


FIG. 2

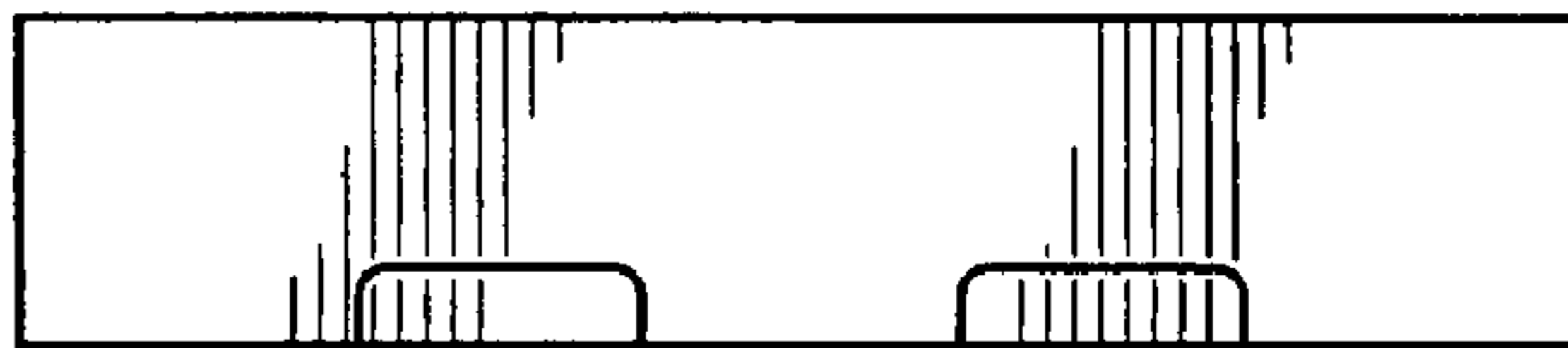


FIG. 3

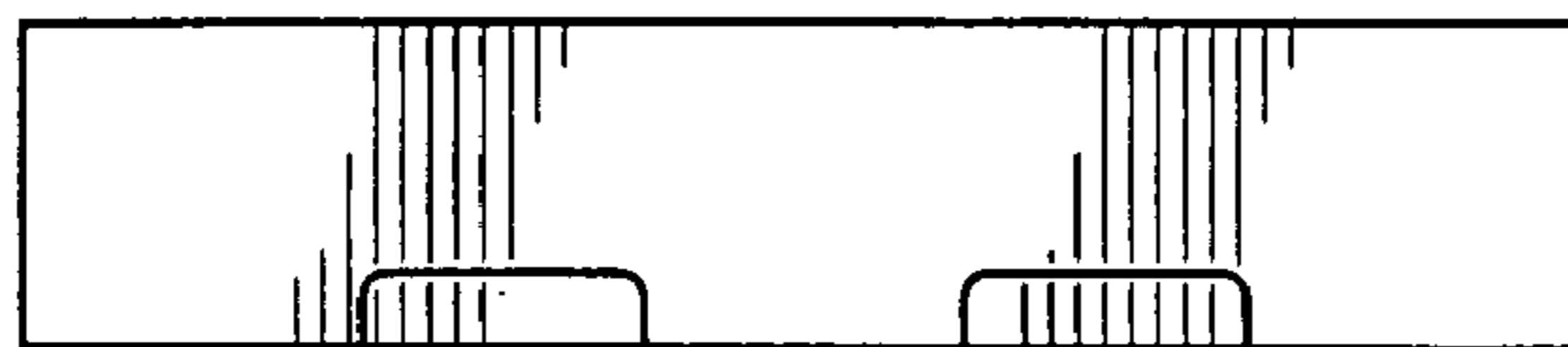


FIG. 4

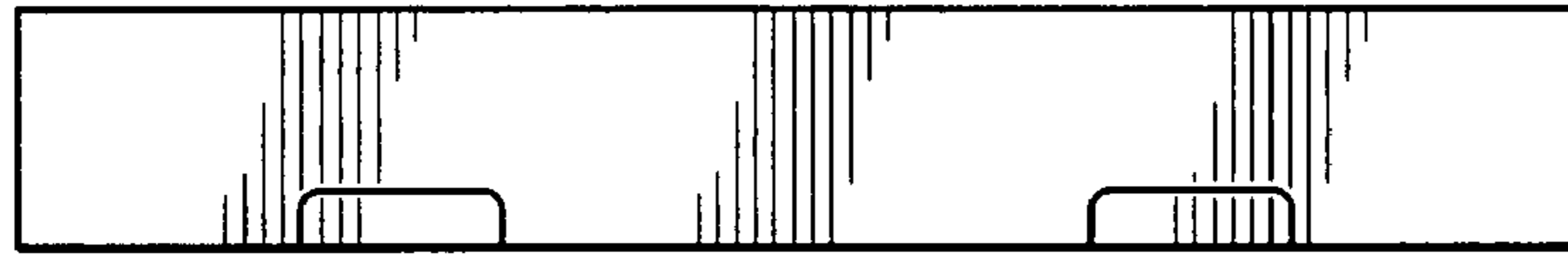


FIG. 5

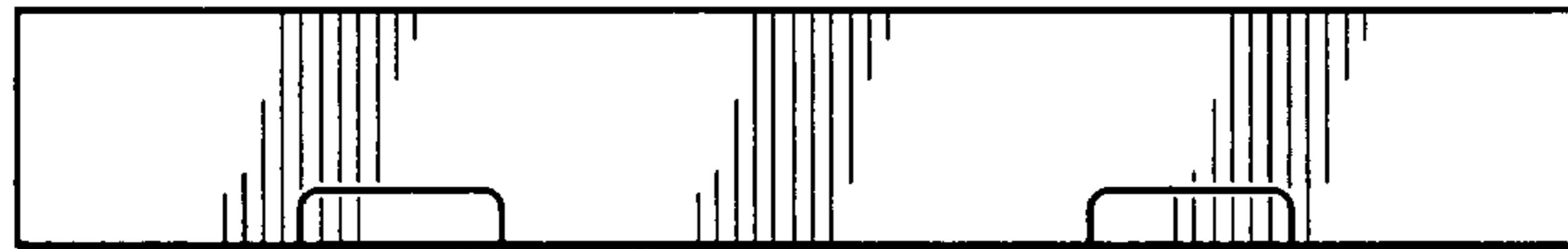


FIG. 6

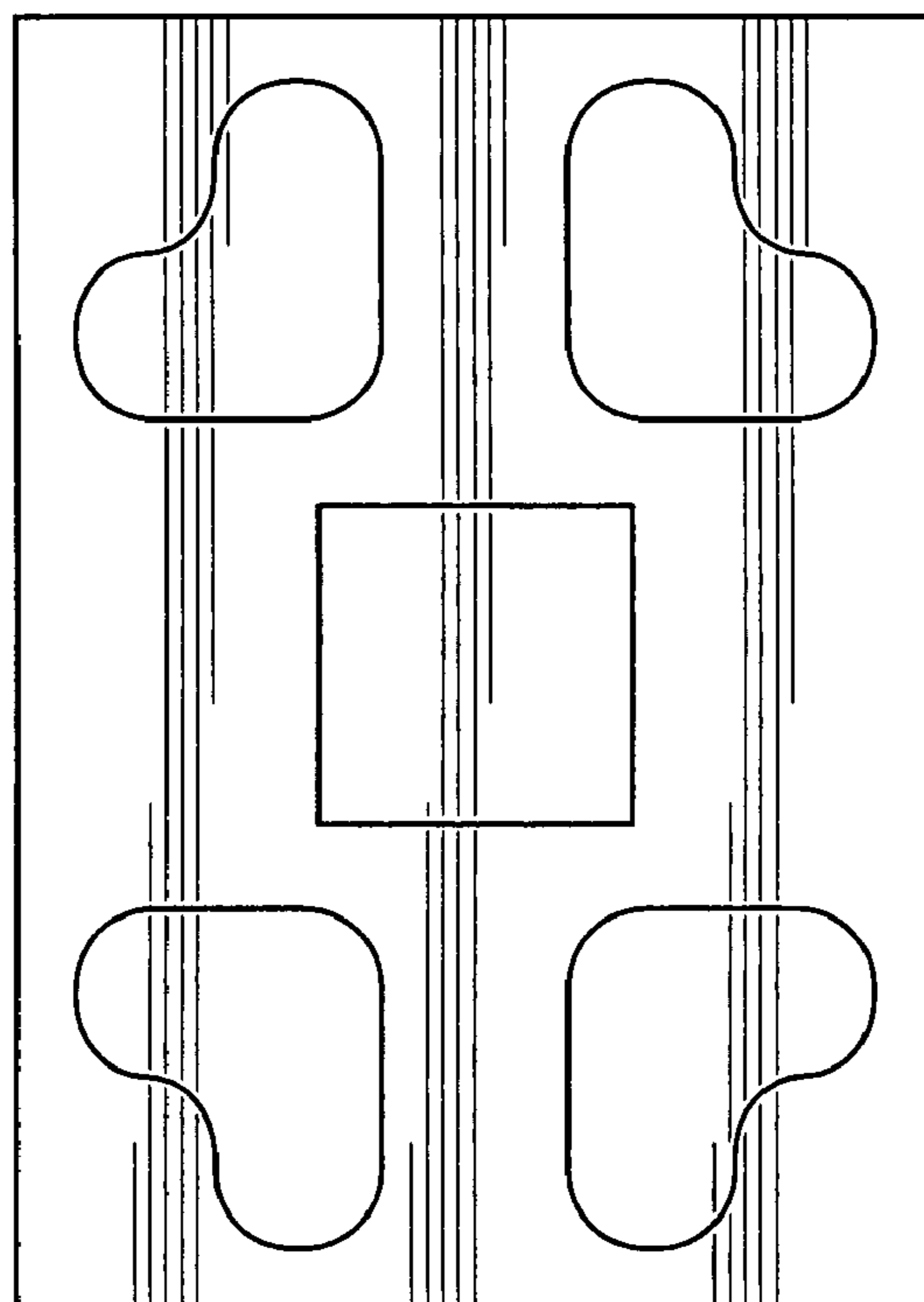


FIG. 7

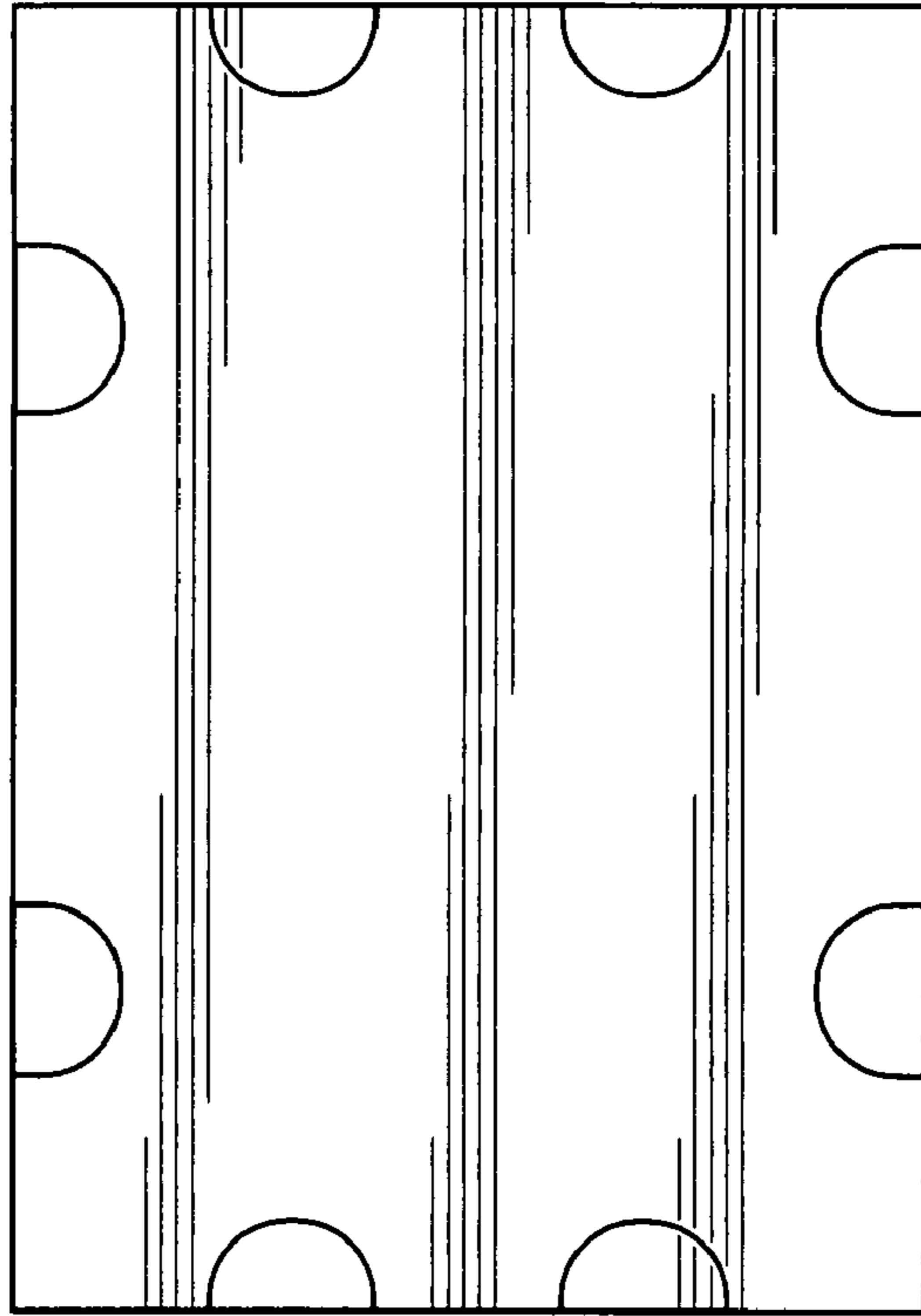


FIG. 8

