



US00D597423S

(12) **United States Design Patent**
Park

(10) **Patent No.:** **US D597,423 S**

(45) **Date of Patent:** **** Aug. 4, 2009**

(54) **TEMPERATURE DETECTING APPARATUS FOR OVEN**

(75) Inventor: **James Ji-Hong Park**, Seoul (KR)

(73) Assignee: **James Tech Co., Ltd.**, Seoul (KR)

(**) Term: **14 Years**

(21) Appl. No.: **29/323,128**

(22) Filed: **Aug. 19, 2008**

(30) **Foreign Application Priority Data**

Jul. 30, 2008 (KR) 30-2008-0033092

(51) **LOC (9) Cl.** **10-04**

(52) **U.S. Cl.** **D10/52; D10/57**

(58) **Field of Classification Search** D10/52,
D10/57; 374/141, 151, 155, 163, 206, 208
See application file for complete search history.

(56) **References Cited**

U.S. PATENT DOCUMENTS

3,267,731 A * 8/1966 Wharton 374/155
D397,043 S * 8/1998 Kasman D10/52
D501,799 S * 2/2005 Yamamoto et al. D10/52
D503,632 S * 4/2005 Kanai D10/52

D507,977 S * 8/2005 Welch et al. D10/57
D509,152 S * 9/2005 Morikawa et al. D10/52
D509,452 S * 9/2005 Morikawa et al. D10/52
D560,126 S * 1/2008 Frake et al. D10/57
D560,518 S * 1/2008 Frake et al. D10/57

* cited by examiner

Primary Examiner—Antoine D Davis

(74) *Attorney, Agent, or Firm*—Ladas & Parry LLP

(57) **CLAIM**

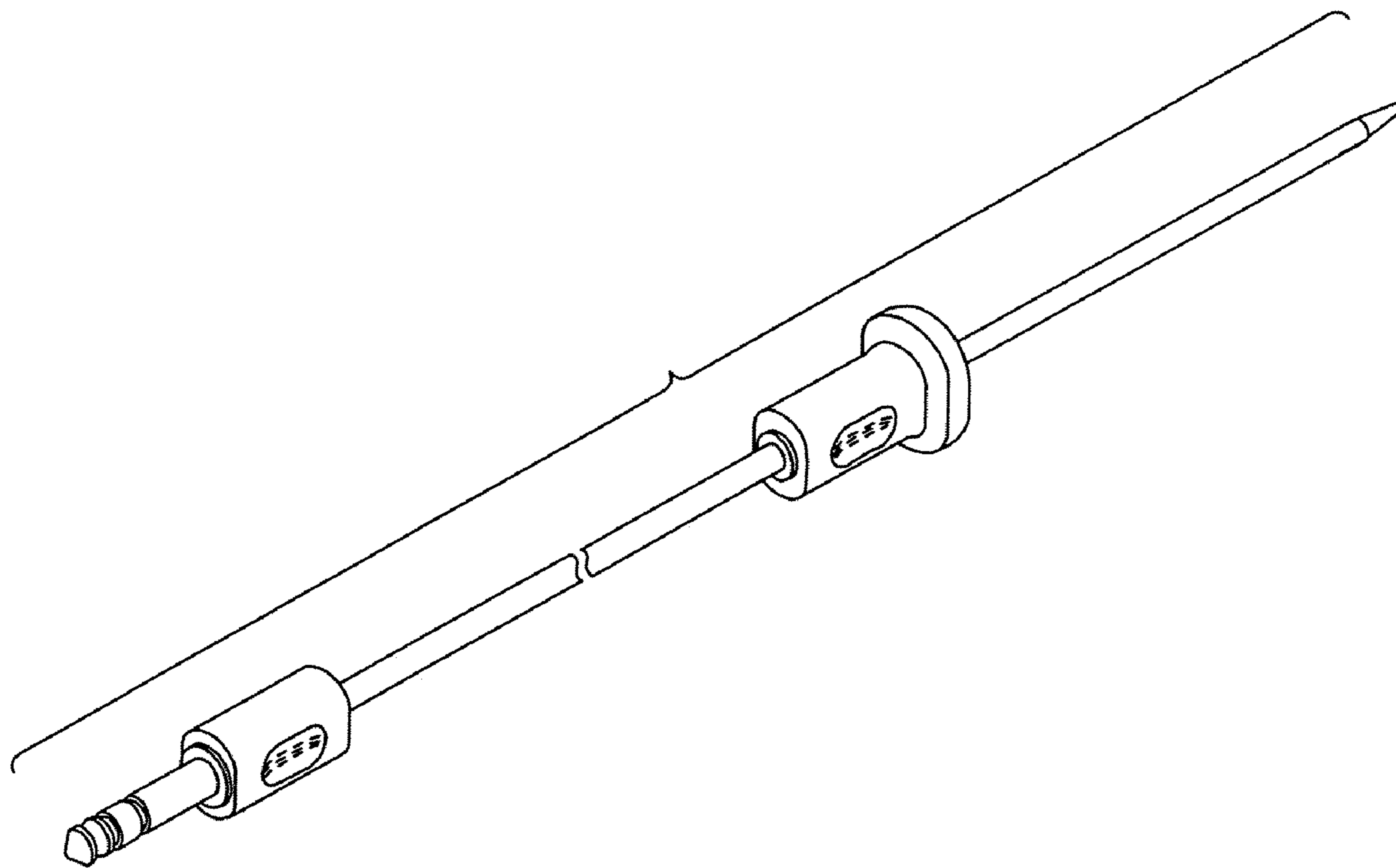
The ornamental design for a temperature detecting apparatus for oven, as shown and described.

DESCRIPTION

FIG. 1 is a front/right-side/top perspective view of a temperature detecting apparatus for oven showing our new design; FIG. 2 is a front-side elevational view thereof; FIG. 3 is a left-side elevational view thereof; FIG. 4 is a right-side elevational view thereof; and, FIG. 5 is a top-side elevational view thereof.

The lines of the present design in FIG. 1, 2 and 5 are abbreviated about 10 centimeters.

1 Claim, 2 Drawing Sheets



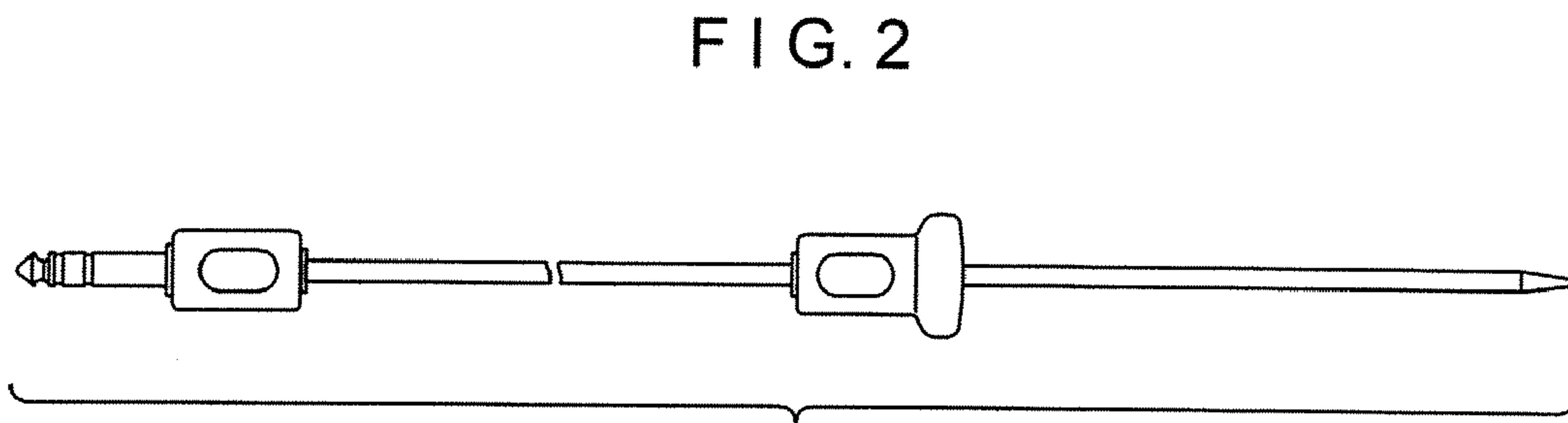
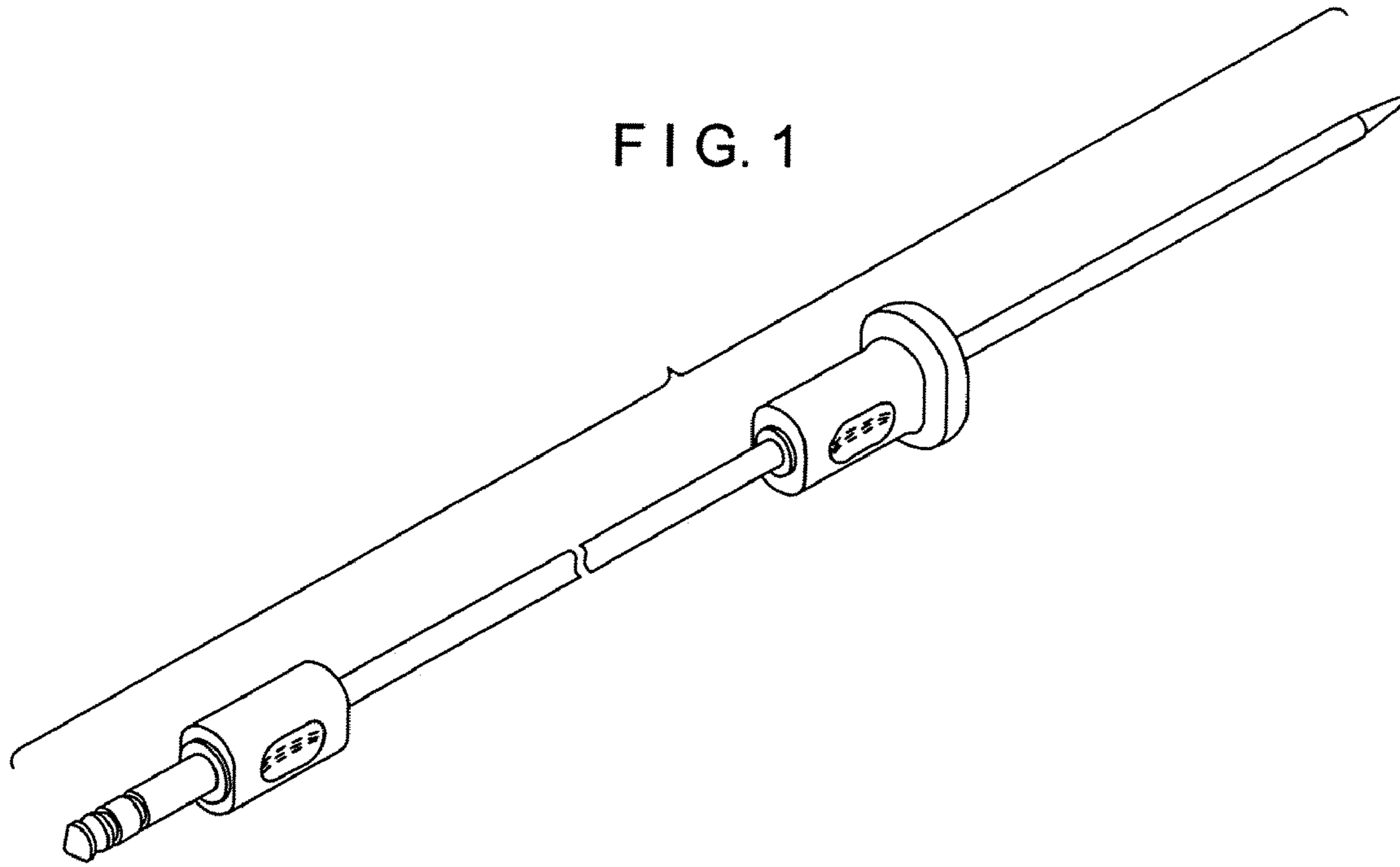


FIG. 3

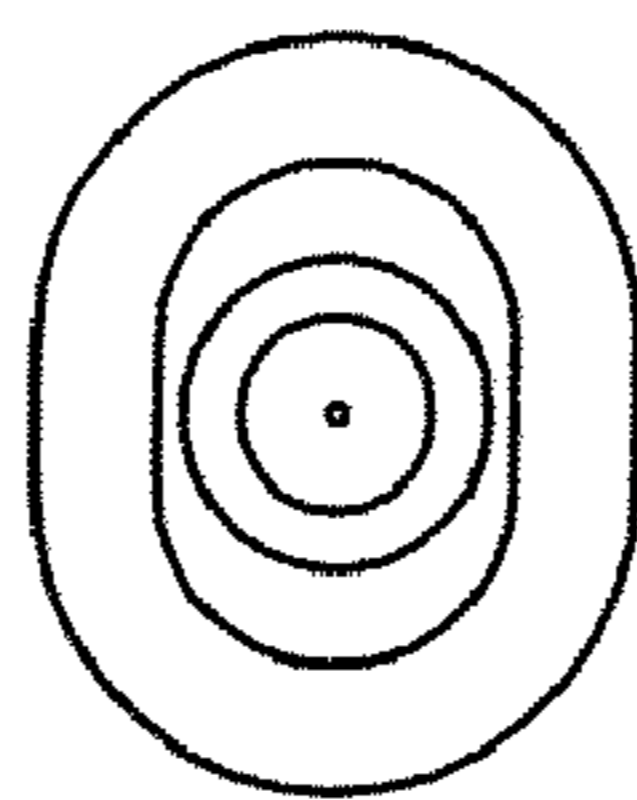


FIG. 4

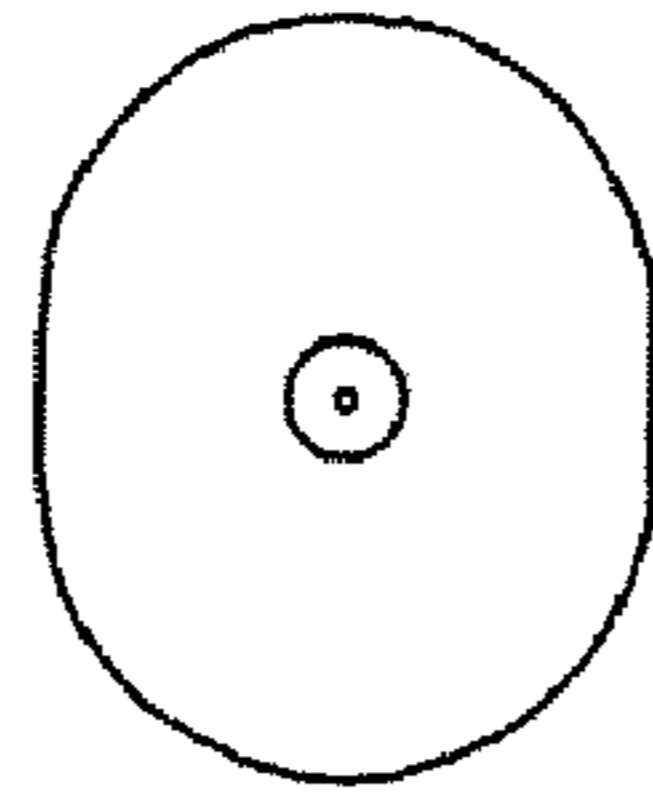


FIG. 5

