



US00D597414S

(12) **United States Design Patent**
Regas

(10) **Patent No.:** **US D597,414 S**

(45) **Date of Patent:** **** Aug. 4, 2009**

(54) **BEVERAGE CONTAINER**

(75) **Inventor:** **John P. Regas**, 28681 via Pasatiempo,
Laguna Niguel, CA (US) 92677

(73) **Assignee:** **John P. Regas**, Laguna Niguel, CA (US)

(**) **Term:** **14 Years**

(21) **Appl. No.:** **29/303,768**

(22) **Filed:** **Feb. 15, 2008**

(51) **LOC (9) Cl.** **09-01**

(52) **U.S. Cl.** **D9/675**

(58) **Field of Classification Search** D3/270-271.1,
D3/271.11-271.12; D7/514-517, 519-520;
D9/600, 672-677, 516, 522-523, 530, 537-543,
D9/572-575; D21/548-551, 563; 206/457,
206/822; 220/890; 229/116.1-116.3

See application file for complete search history.

(56) **References Cited**

U.S. PATENT DOCUMENTS

1,553,793	A *	9/1925	Rozowsky	206/822
4,646,959	A *	3/1987	Sheffer	206/457
D416,478	S *	11/1999	Craven et al.	D9/675
D423,886	S *	5/2000	Lieblein	D7/628
D458,140	S *	6/2002	Hutchins	D9/523
D517,729	S *	3/2006	Angeletta	D28/7
D559,108	S	1/2008	Regas		

OTHER PUBLICATIONS

Related not yet published U.S. Appl. No. 29/303,770 to John P. Regas.

Related not yet published U.S. Appl. No. 29/303,772 to John P. Regas.

* cited by examiner

Primary Examiner—Sandra Morris

(74) *Attorney, Agent, or Firm*—Knobbe Martens Olson & Bear LLP

(57) **CLAIM**

The ornamental design for a beverage container, as shown and described.

DESCRIPTION

FIG. 1 is a perspective of a beverage container, showing my new design in accordance with the invention;

FIG. 2 is a front elevational view of the design of FIG. 1;

FIG. 3 is a rear elevational view of the design of FIG. 1;

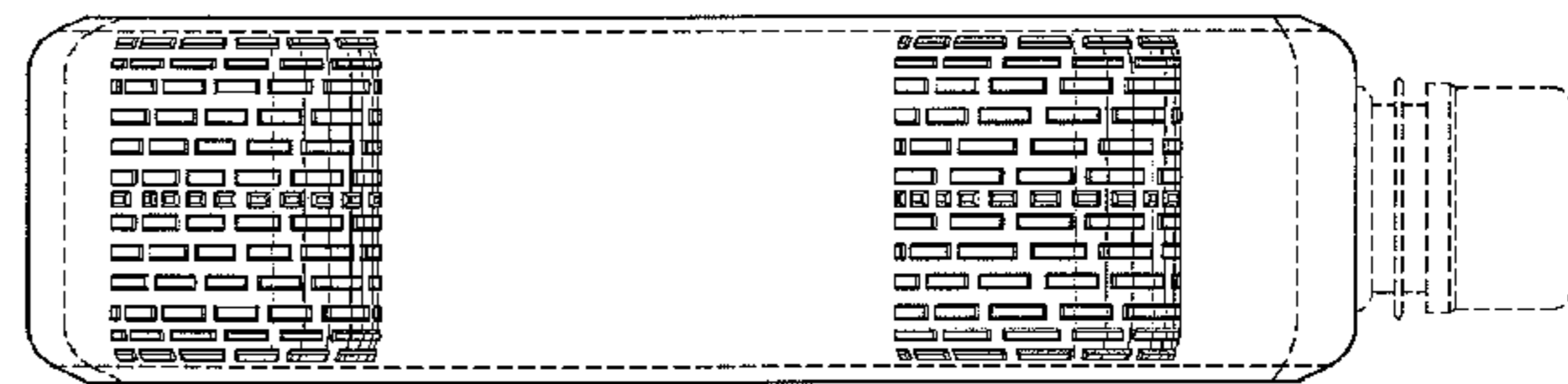
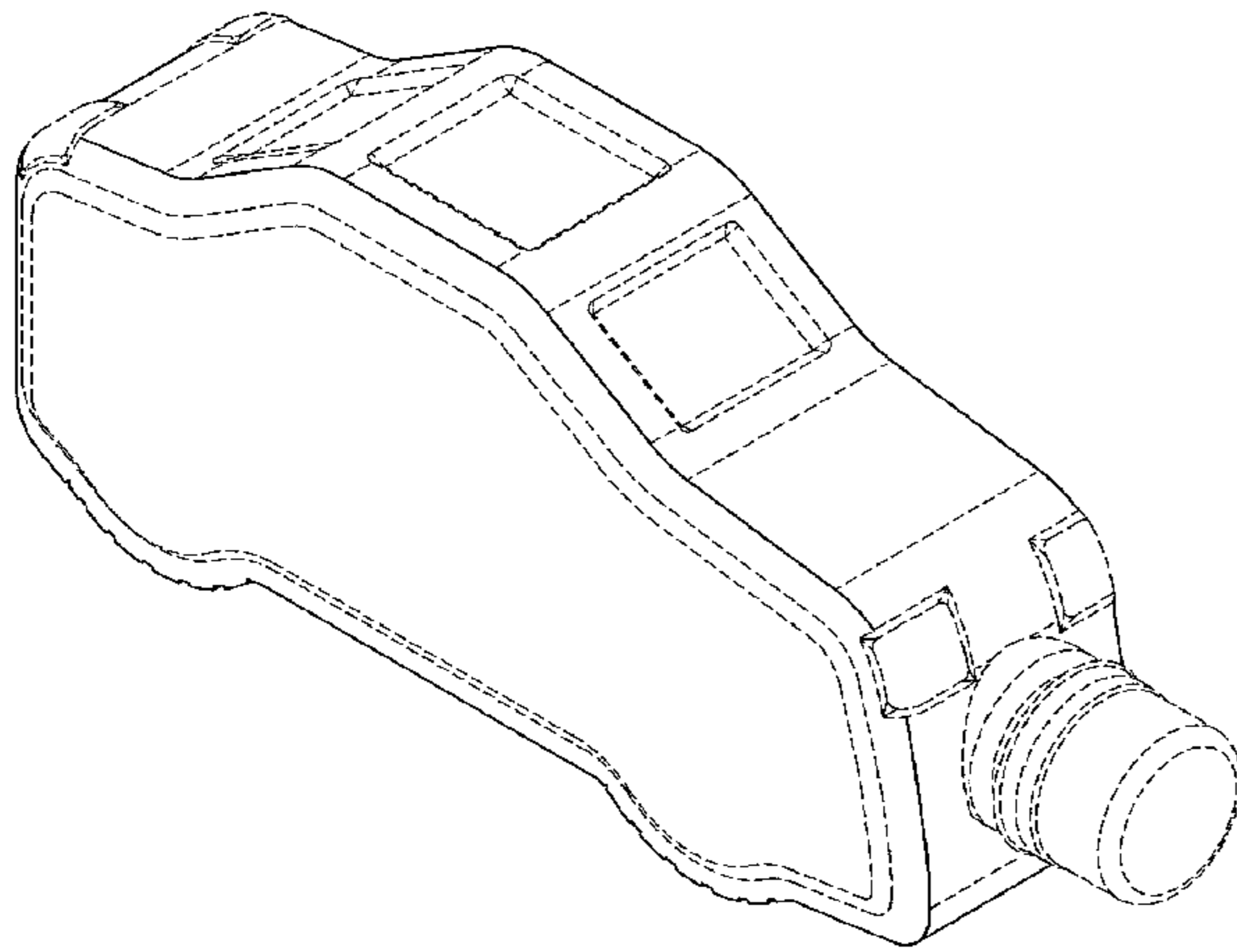
FIG. 4 is a right side elevational view of the design of FIG. 1, the left side being a mirror image thereof;

FIG. 5 is a top elevational view of the design of FIG. 1; and,

FIG. 6 is a bottom elevational view of the design of FIG. 1.

The broken lines shown in the drawings form no part of the claimed design.

1 Claim, 4 Drawing Sheets



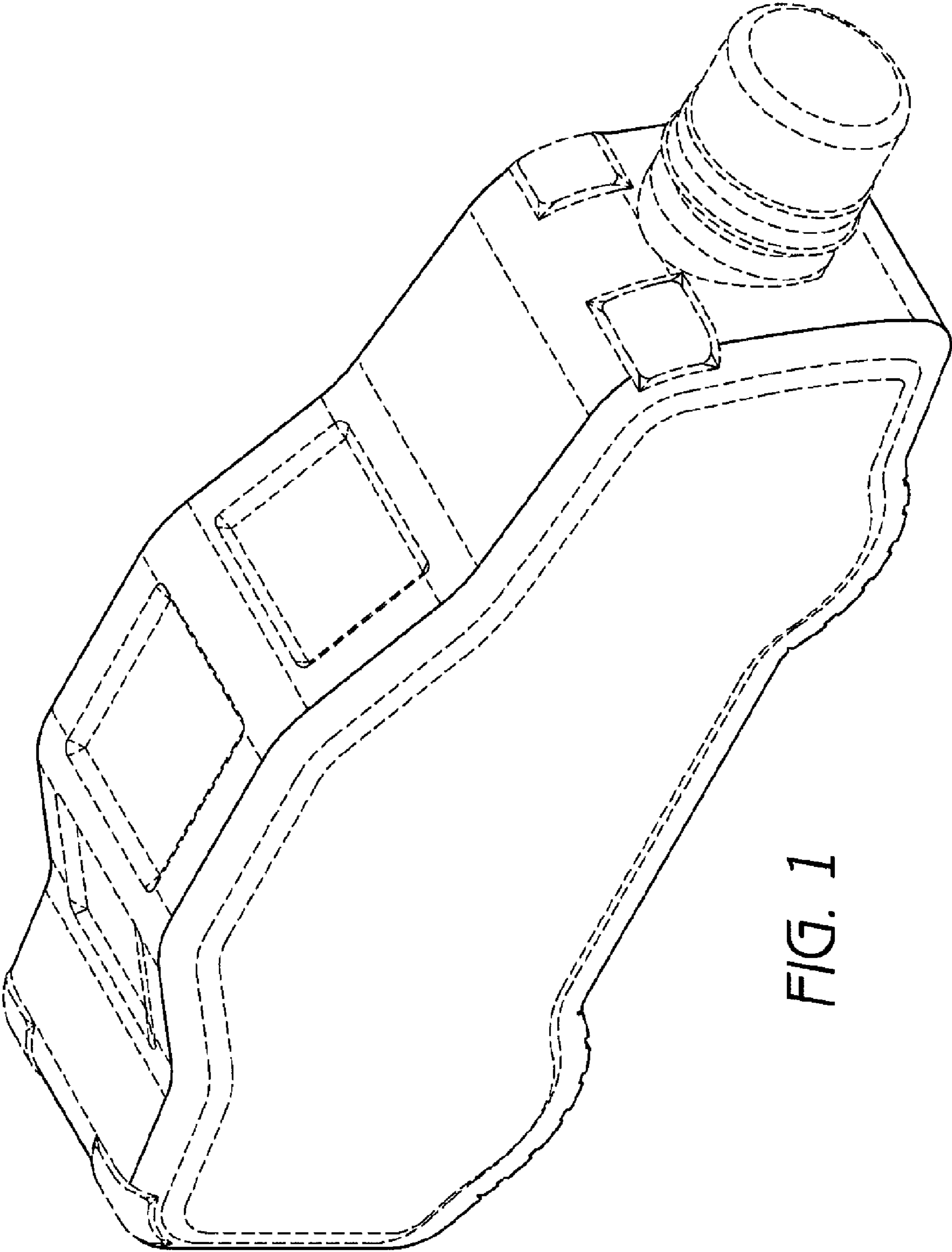


FIG. 1

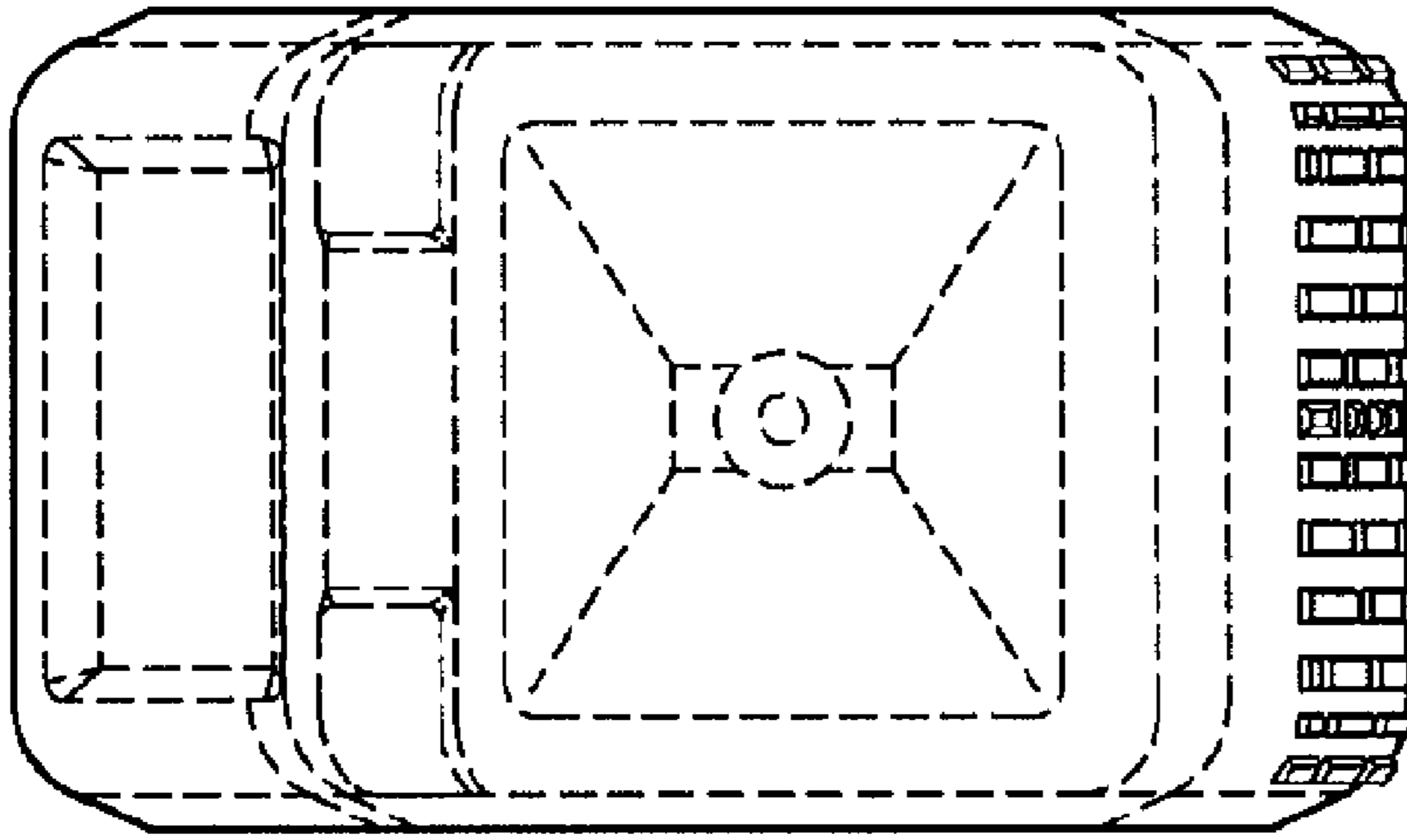


FIG. 2

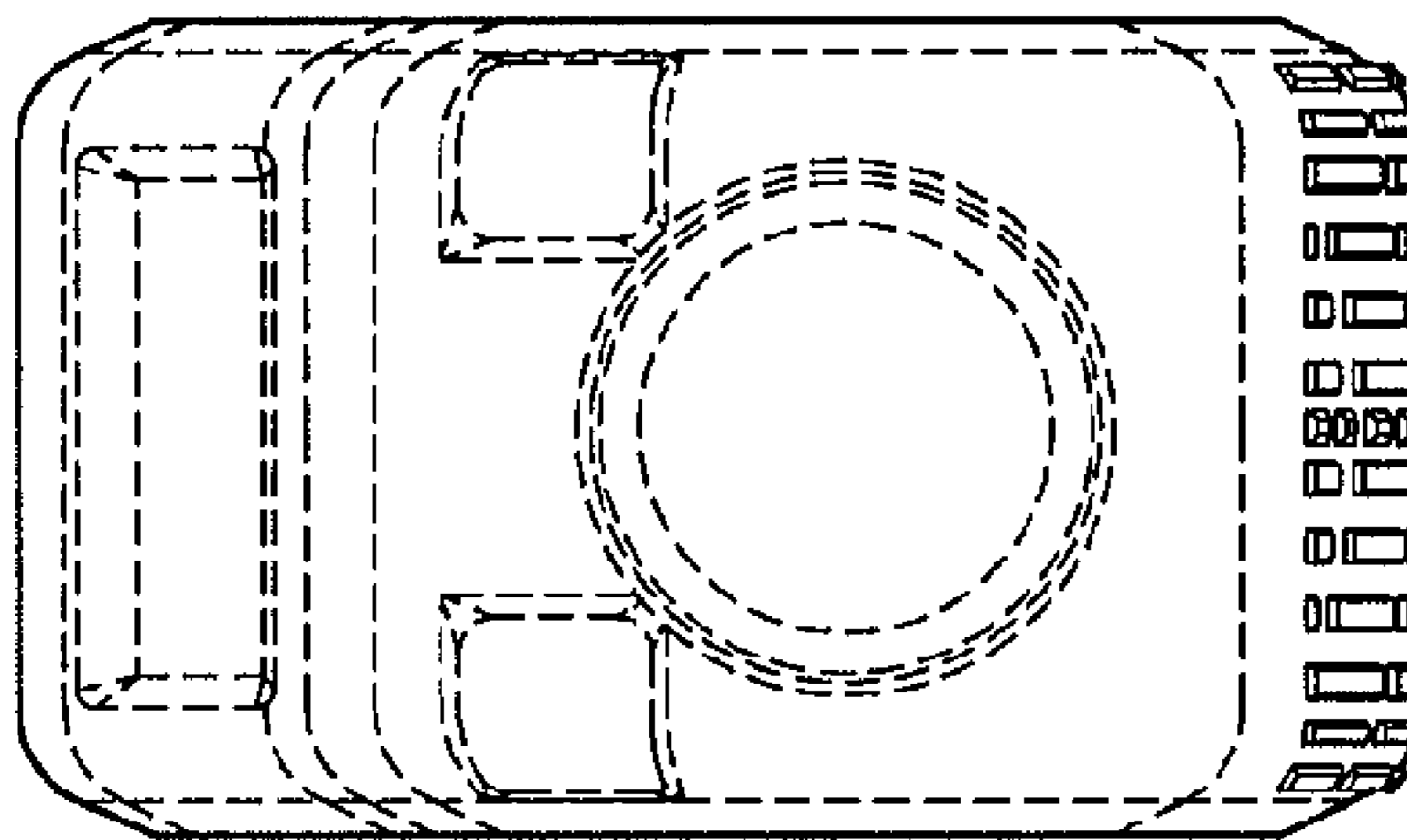


FIG. 3

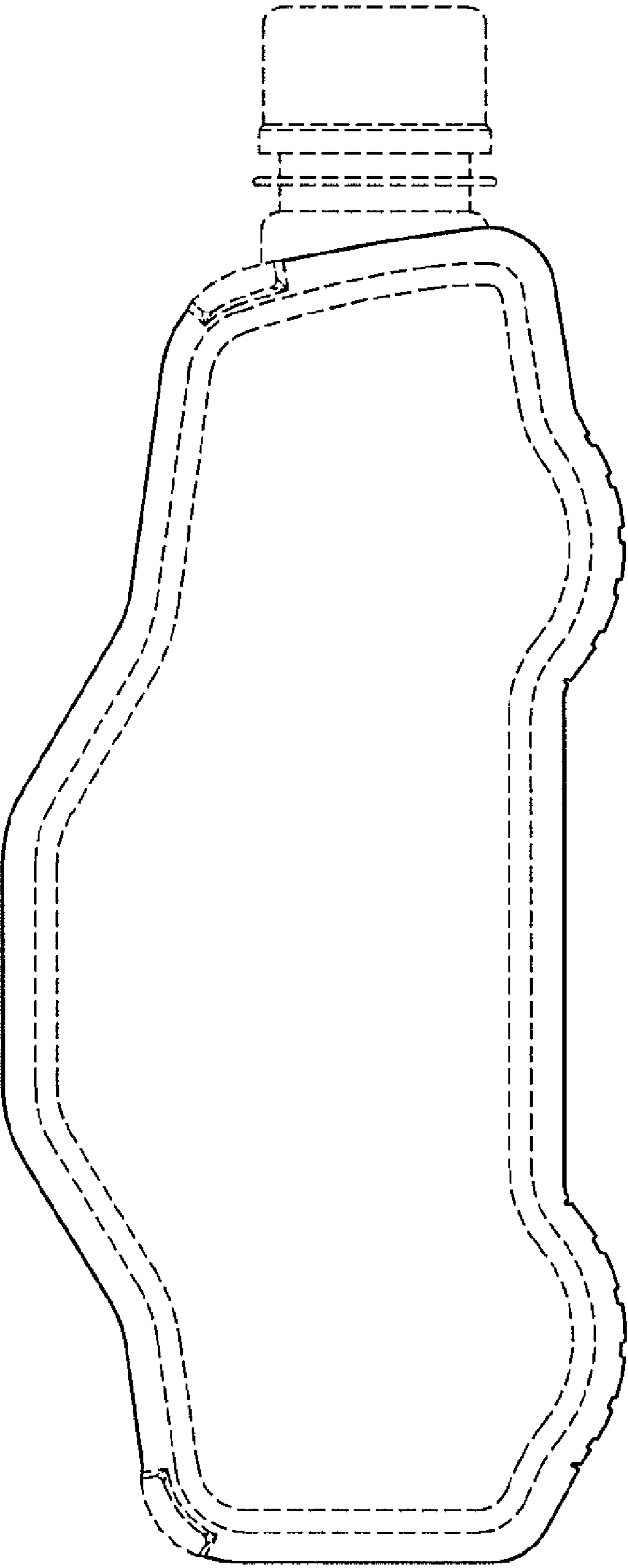


FIG. 4

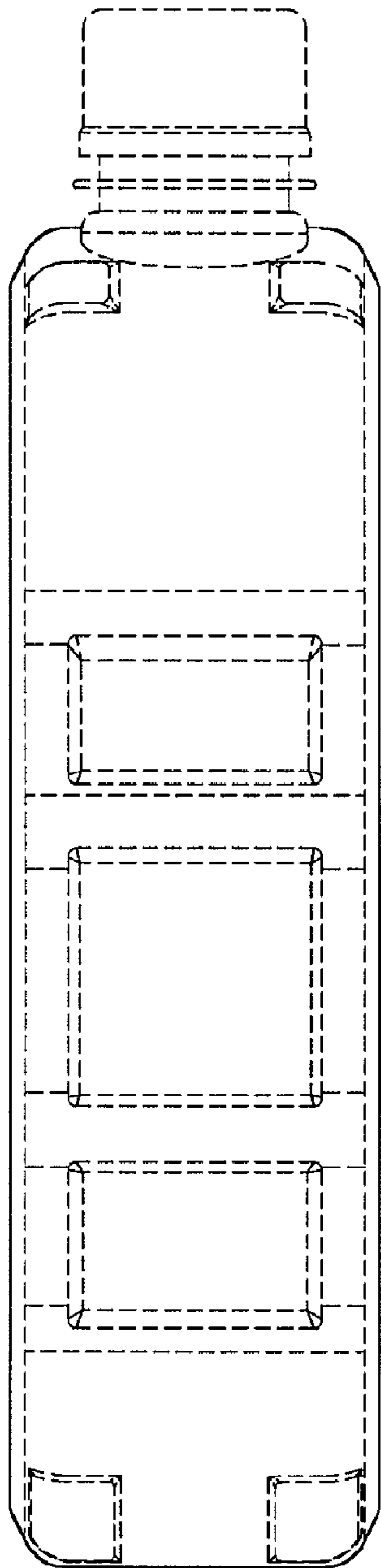


FIG. 5

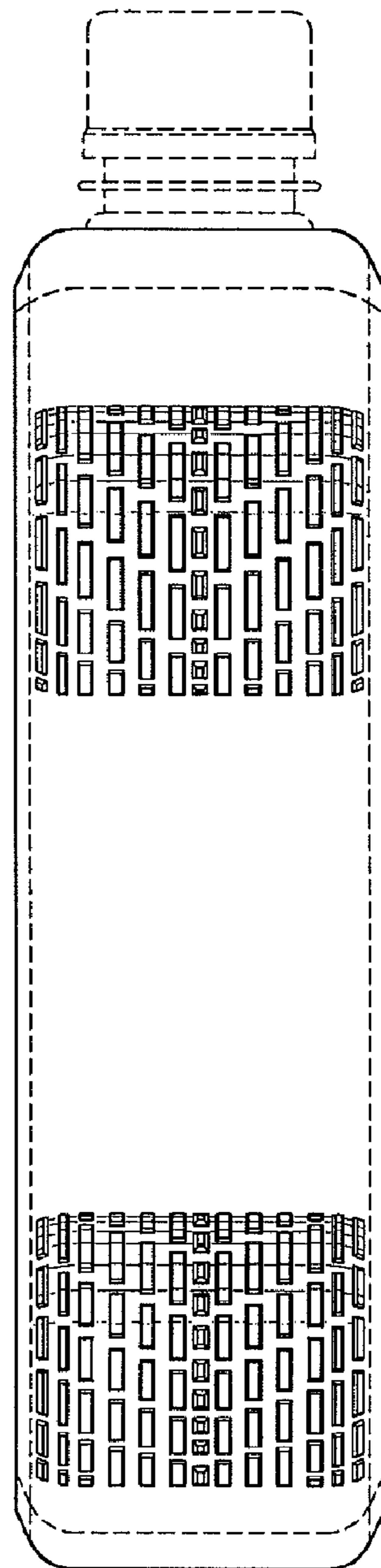


FIG. 6