



US00D597406S

(12) **United States Design Patent**
Jaworski

(10) **Patent No.:** **US D597,406 S**

(45) **Date of Patent:** **** Aug. 4, 2009**

(54) **LID**

(75) Inventor: **Pawel Jaworski**, Ladeburg (DE)

(73) Assignee: **Reckitt Benckiser N.V.**, Hoofddorp (NL)

(**) Term: **14 Years**

(21) Appl. No.: **29/297,652**

(22) Filed: **Nov. 15, 2007**

(30) **Foreign Application Priority Data**

May 18, 2007 (EM) 000725320-0003

(51) **LOC (9) Cl.** **09-07**

(52) **U.S. Cl.** **D9/435**

(58) **Field of Classification Search** D9/694,
D9/573, 560, 554, 529, 504, 503, 502, 456,
D9/454, 453, 451, 447, 445, 444, 435, 432,
D9/428, 425, 424, 418; D7/629, 396.2, 396.1,
D7/300; D3/323; D28/91, 82, 8.1; D26/6,
D26/23, 20; 431/291; 222/270, 142.9, 792,
222/266, 226, 212; 217/11; 206/520, 519,
206/508, 505

See application file for complete search history.

(56) **References Cited**

U.S. PATENT DOCUMENTS

D238,148 S * 12/1975 Dilot D9/425
4,412,630 A * 11/1983 Daenen D7/629

D312,406 S * 11/1990 Tyler D9/435
5,219,087 A * 6/1993 Christensson 220/270
D369,282 S * 4/1996 Arduini D7/629
5,788,105 A * 8/1998 Foos 220/266
D501,764 S * 2/2005 Lerner D7/629
D571,200 S * 6/2008 Bouveret et al. D9/435

* cited by examiner

Primary Examiner—Susan Bennett Hattan

(57) **CLAIM**

The ornamental design for a lid, as shown and described.

DESCRIPTION

FIG. 1 is a top perspective view of the front of a first embodiment for the lid;

FIG. 2 is an elevation view of the front thereof, the rear being identical thereto;

FIG. 3 is an elevation view of a side thereof, the opposite side being identical thereto;

FIG. 4 is a plan view of the top thereof;

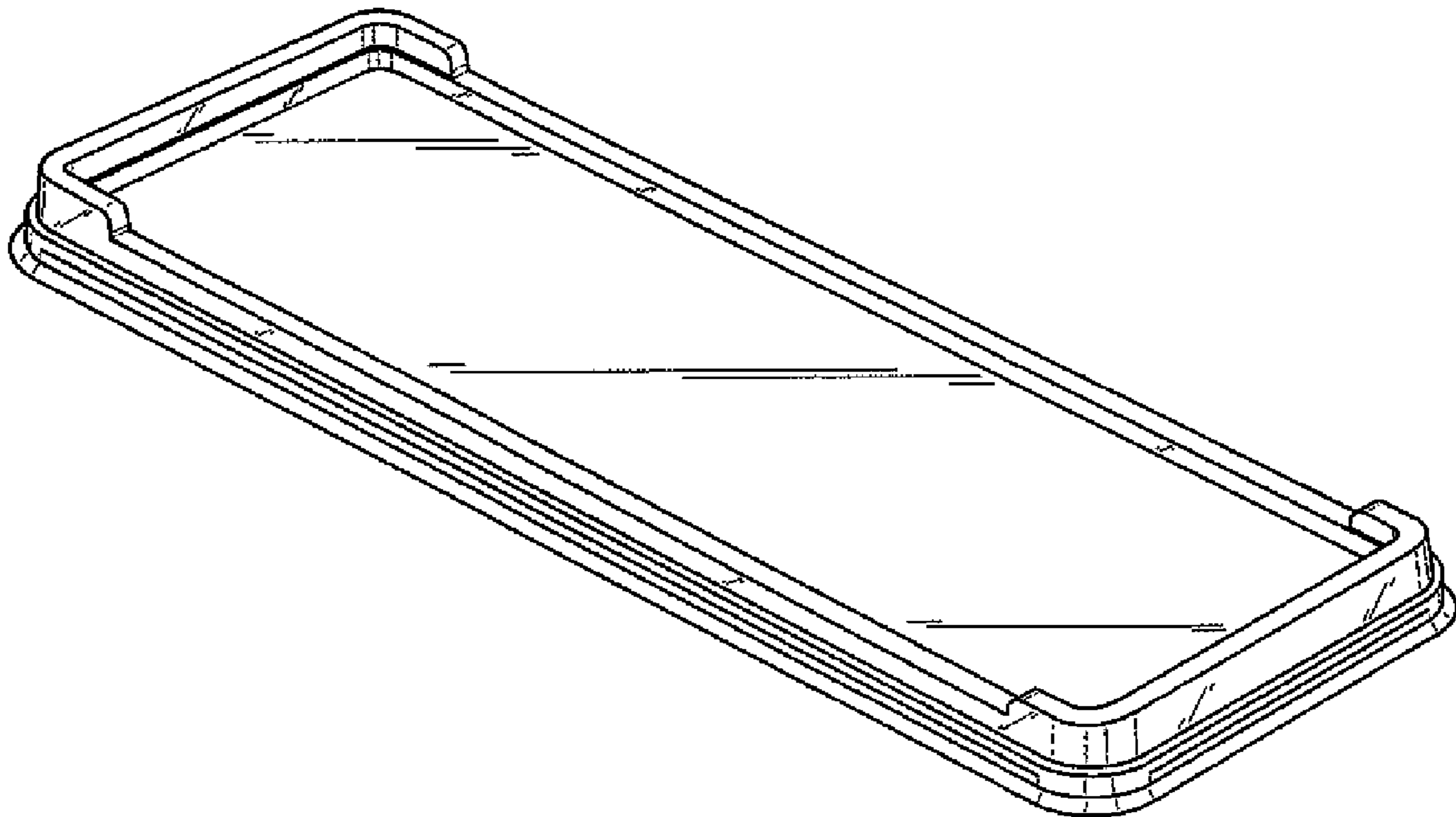
FIG. 5 is a top perspective view of the front of a second embodiment for the lid;

FIG. 6 is an elevation view of the front thereof, the rear being identical thereto;

FIG. 7 is an elevation view of a side thereof, the opposite side being identical thereto; and,

FIG. 8 is a plan view of the top thereof.

1 Claim, 2 Drawing Sheets



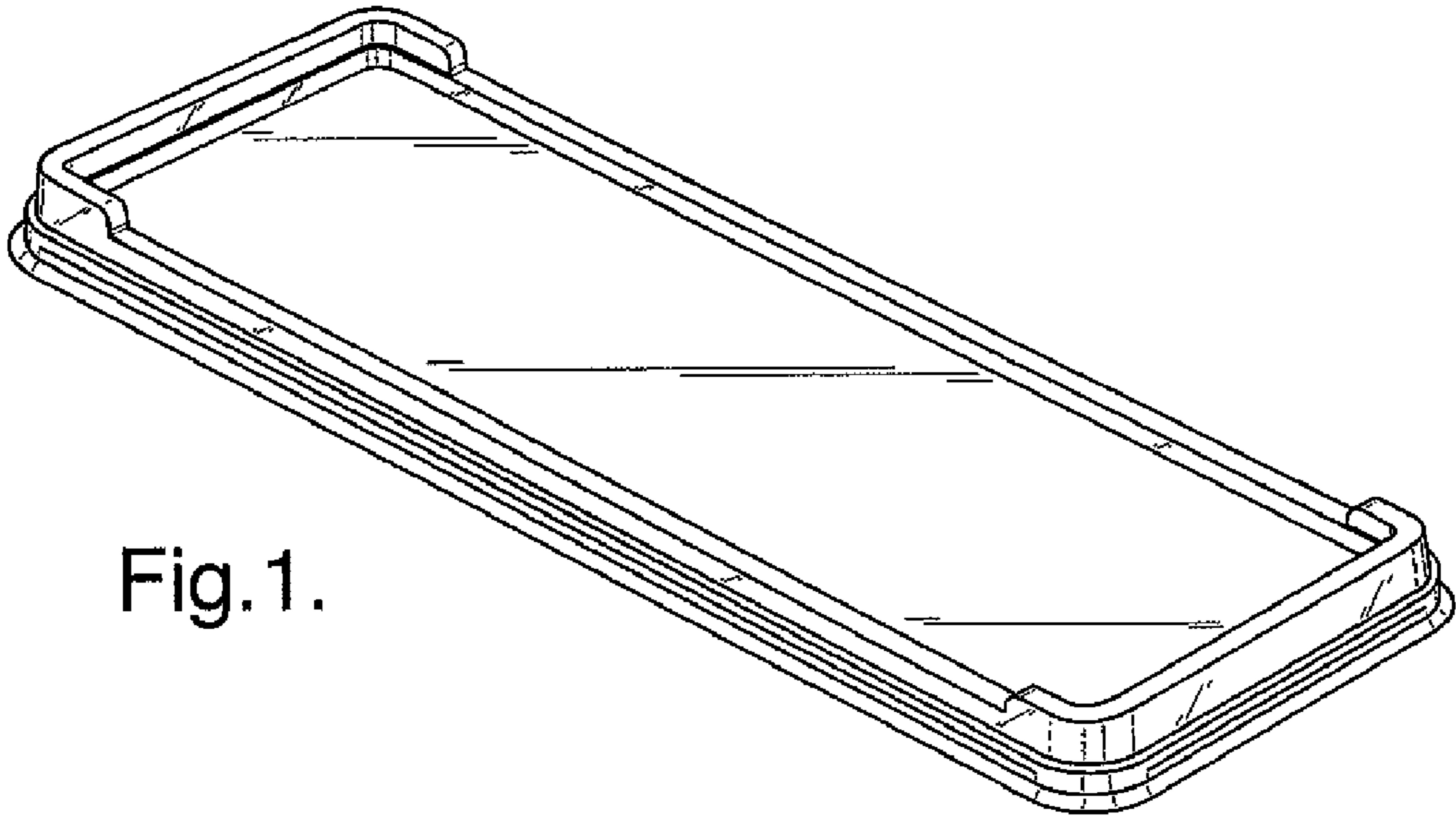


Fig. 1.

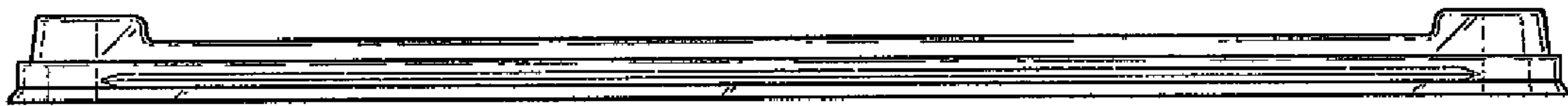


Fig. 2.

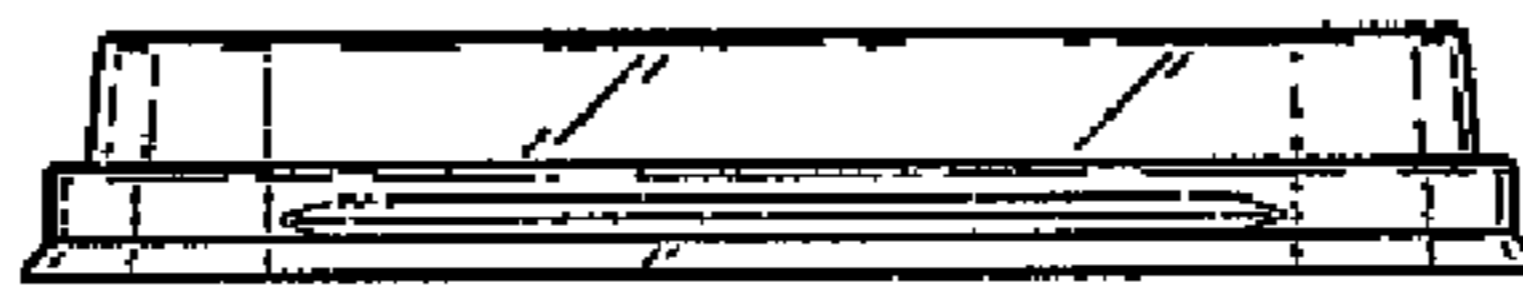


Fig. 3.

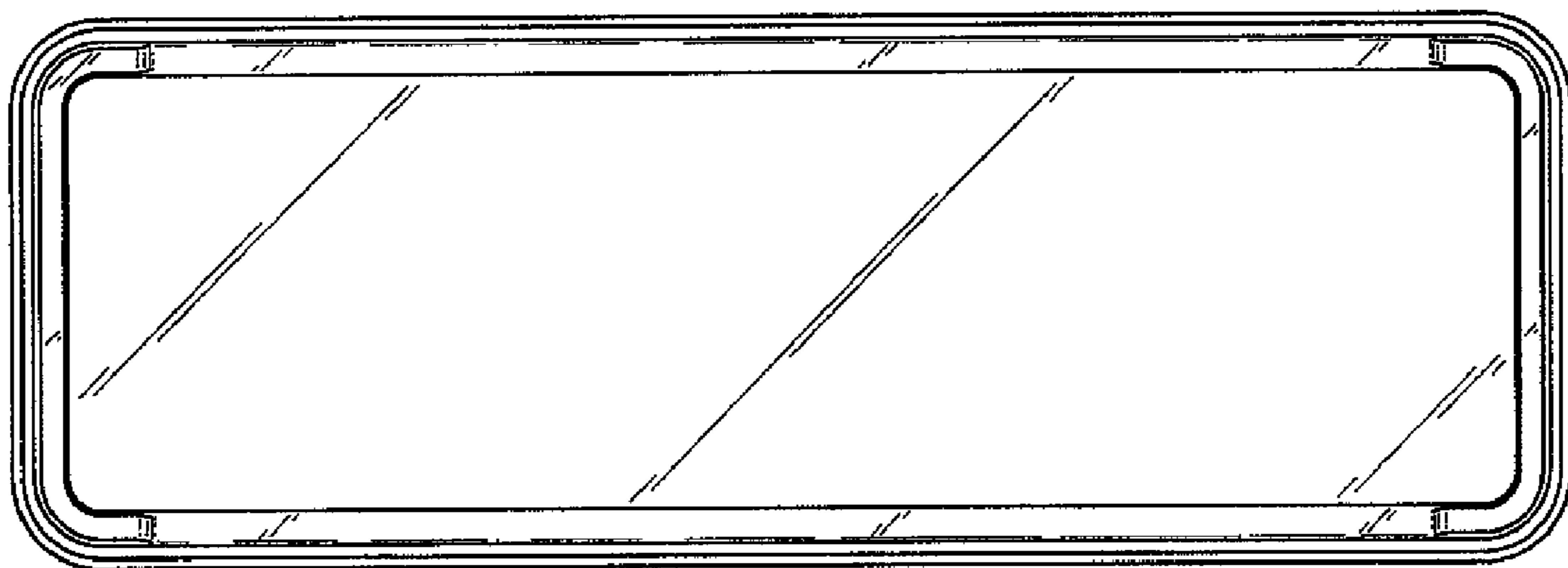


Fig. 4.

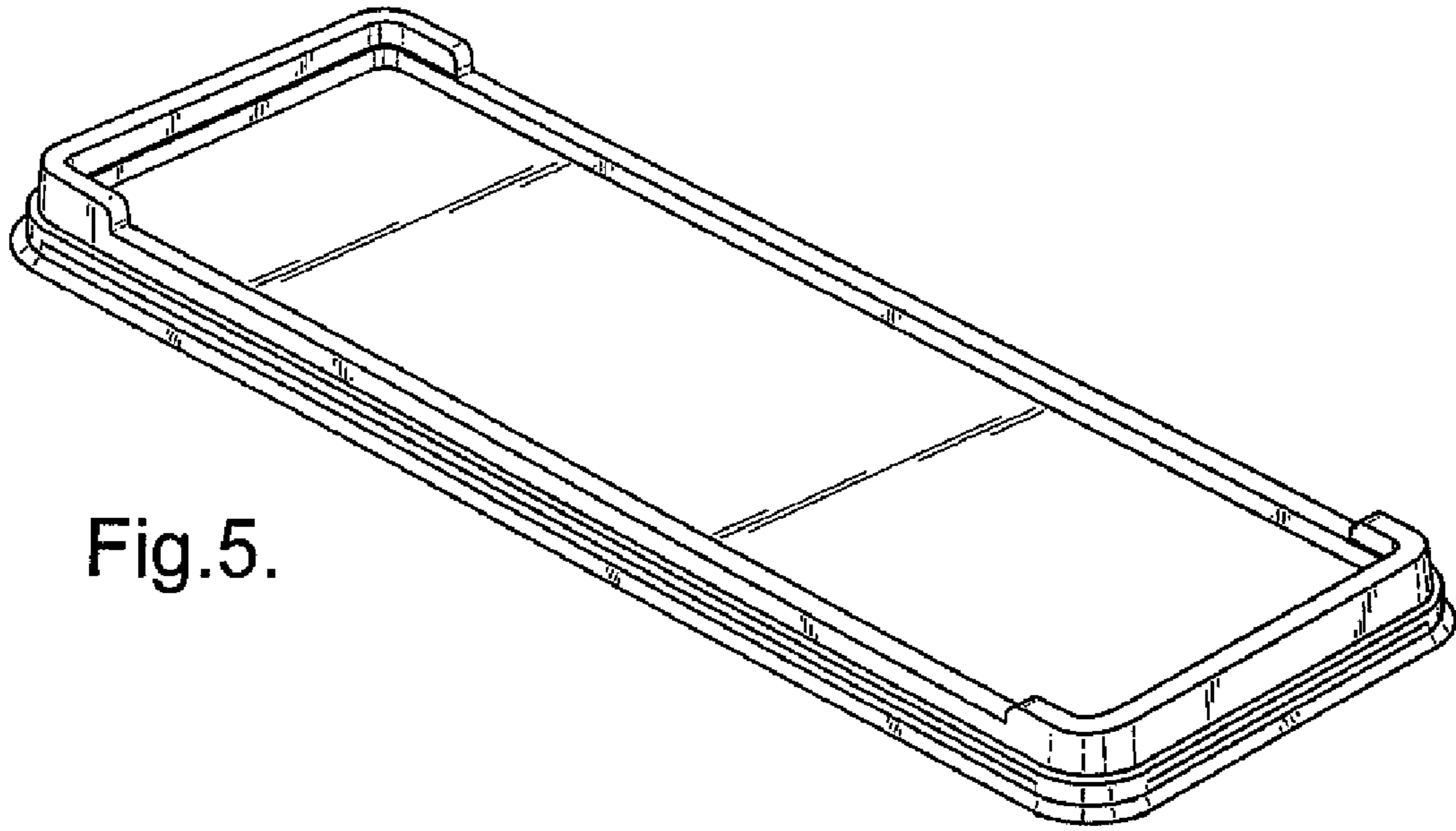


Fig.5.

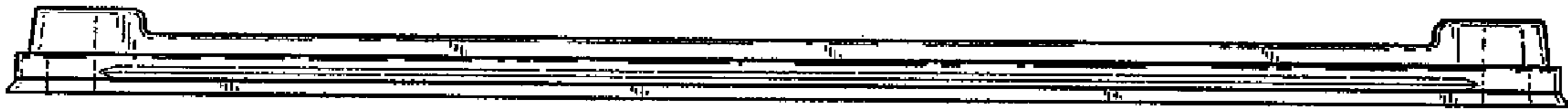


Fig.6.

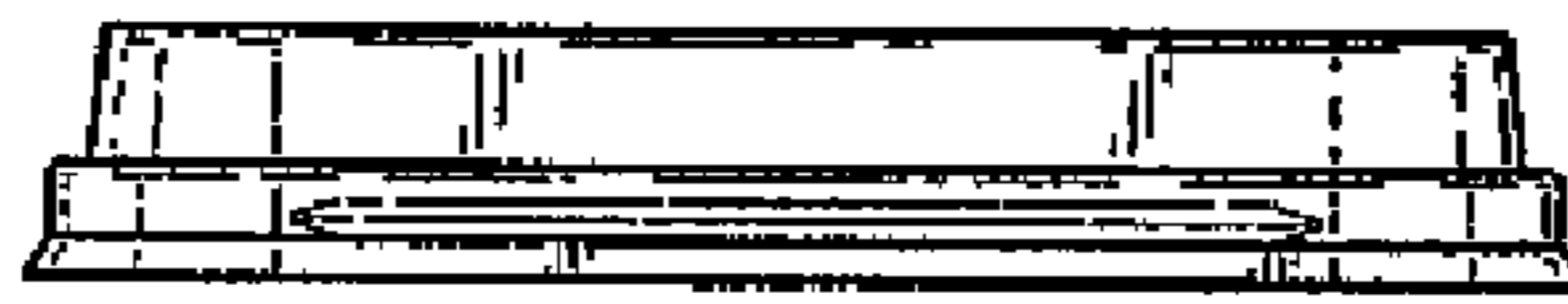


Fig.7.

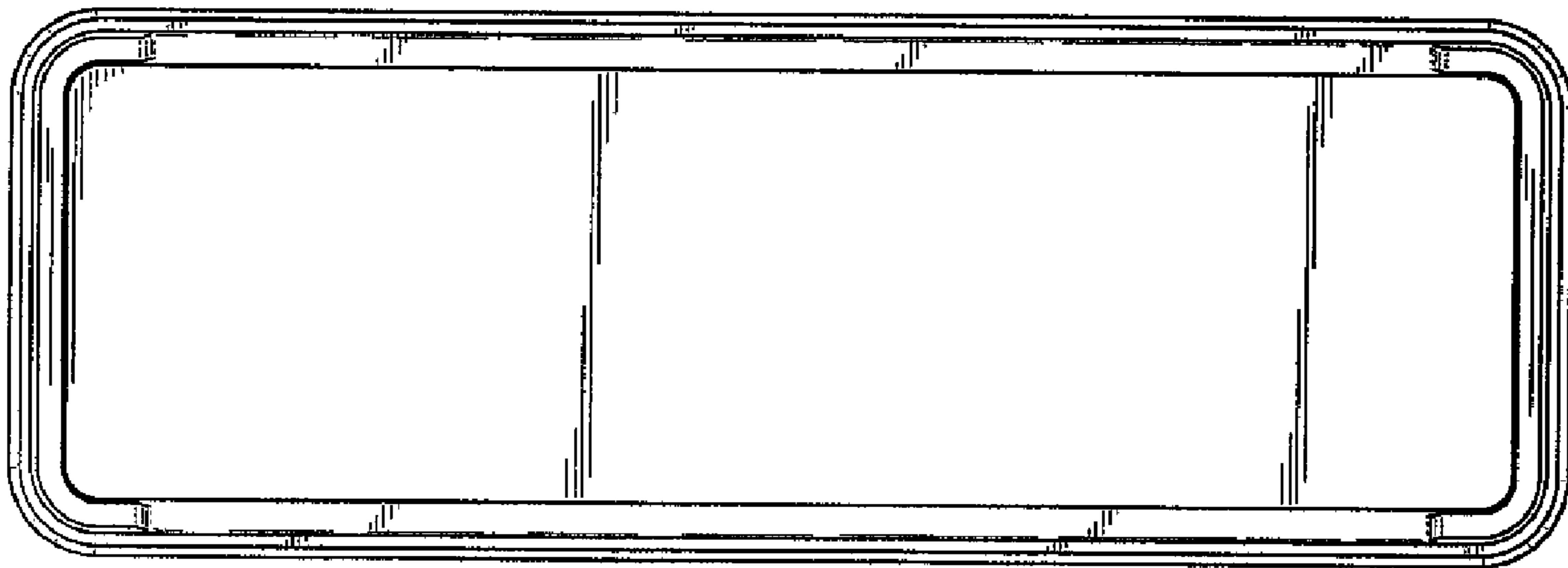


Fig.8.