



US00D597404S

(12) **United States Design Patent**  
**Bianchini**

(10) **Patent No.:** **US D597,404 S**

(45) **Date of Patent:** **\*\* Aug. 4, 2009**

(54) **PLASTIC CAPSULE**

(75) Inventor: **Roberto Bianchini**, Ponticino (IT)

(73) Assignee: **Caffe' D'Italia S.R.L.**, Catiglion  
Fibocchi (IT)

(\*\*) Term: **14 Years**

(21) Appl. No.: **29/300,612**

(22) Filed: **Apr. 18, 2008**

(30) **Foreign Application Priority Data**

Oct. 22, 2007 (EM) ..... 000813100

(51) **LOC (9) Cl.** ..... **09-03**

(52) **U.S. Cl.** ..... **D9/427**

(58) **Field of Classification Search** ..... D9/414-418,  
D9/420-426, 430-432, 761, 737, 757; D7/354,  
D7/357-360, 629, 602, 412, 542, 553.1-553.8,  
D7/538, 543-545, 557, 564-565, 584-587,  
D7/667, 591, 615; 206/315.9, 467, 485,  
206/521.1, 539, 564, 541, 546, 588, 766,  
206/779; 220/23.8, 23.83, 281, 315, 324,  
220/326, 367, 501, 523, 556, 574, 675, 4.21,  
220/4.23, 782, 835, 839; 229/406, 902-904,  
229/906, 407, 110; D6/470, 397, 441  
See application file for complete search history.

(56) **References Cited**

**U.S. PATENT DOCUMENTS**

3,184,047 A \* 5/1965 Gilman et al. .... 426/106  
D219,959 S \* 2/1971 Anderson ..... D9/425  
D229,920 S \* 1/1974 Swett ..... D7/629

D255,751 S \* 7/1980 Daenen ..... D7/667  
D276,114 S \* 10/1984 Conti et al. .... D7/584  
D298,719 S \* 11/1988 Beckerer, Jr. .... D7/624.2  
D350,881 S \* 9/1994 VanValkenburg et al. .... D7/629  
5,871,116 A \* 2/1999 Picchietti ..... 220/501  
D542,591 S \* 5/2007 Carlson ..... D7/354  
D544,755 S \* 6/2007 Diesman ..... D7/602  
D567,029 S \* 4/2008 Valderrama et al. .... D7/545  
D575,148 S \* 8/2008 Sagel ..... D9/425

\* cited by examiner

*Primary Examiner*—Robert M Spear

*Assistant Examiner*—Susan E Krakower

(74) *Attorney, Agent, or Firm*—Modiano & Associati; Albert  
Josif; Daniel J. O'Byrne

(57) **CLAIM**

The ornamental design for a plastic capsule, as shown and  
described.

**DESCRIPTION**

FIG. 1 is a perspective view of a plastic capsule, showing my  
new design;

FIG. 2 is a front view thereof;

FIG. 3 is a rear view thereof;

FIG. 4 is a left side view thereof;

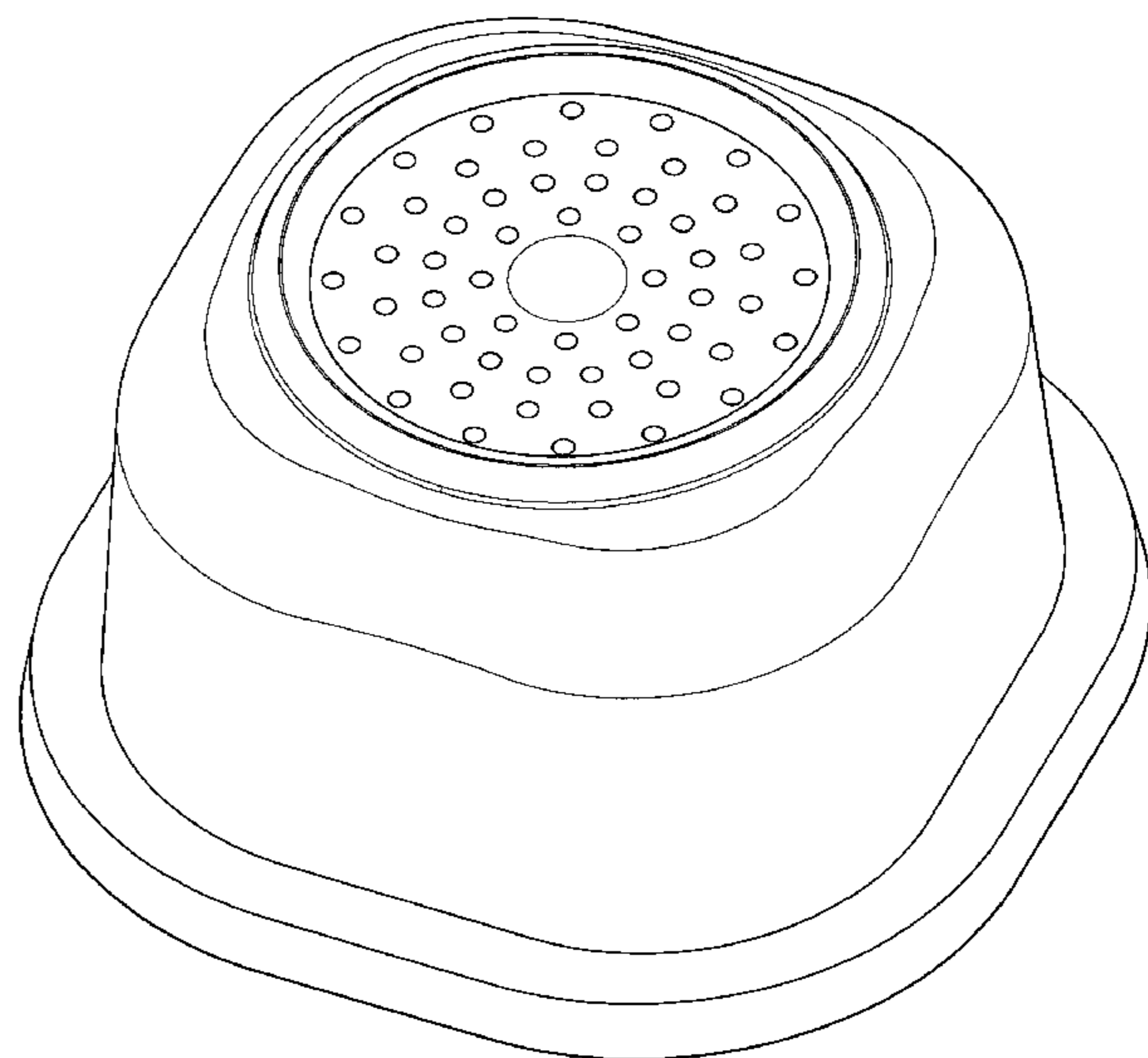
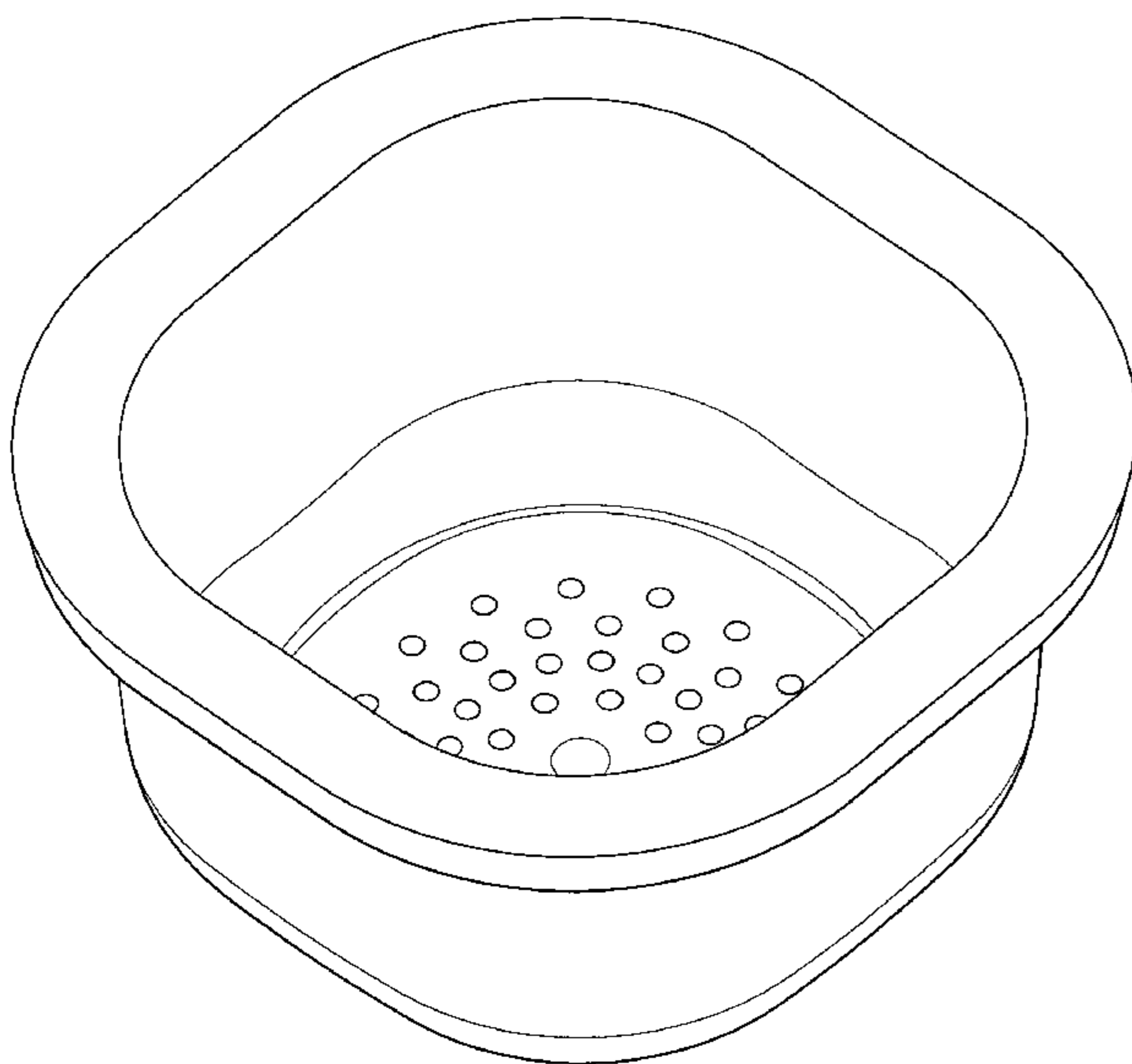
FIG. 5 is a right side view thereof;

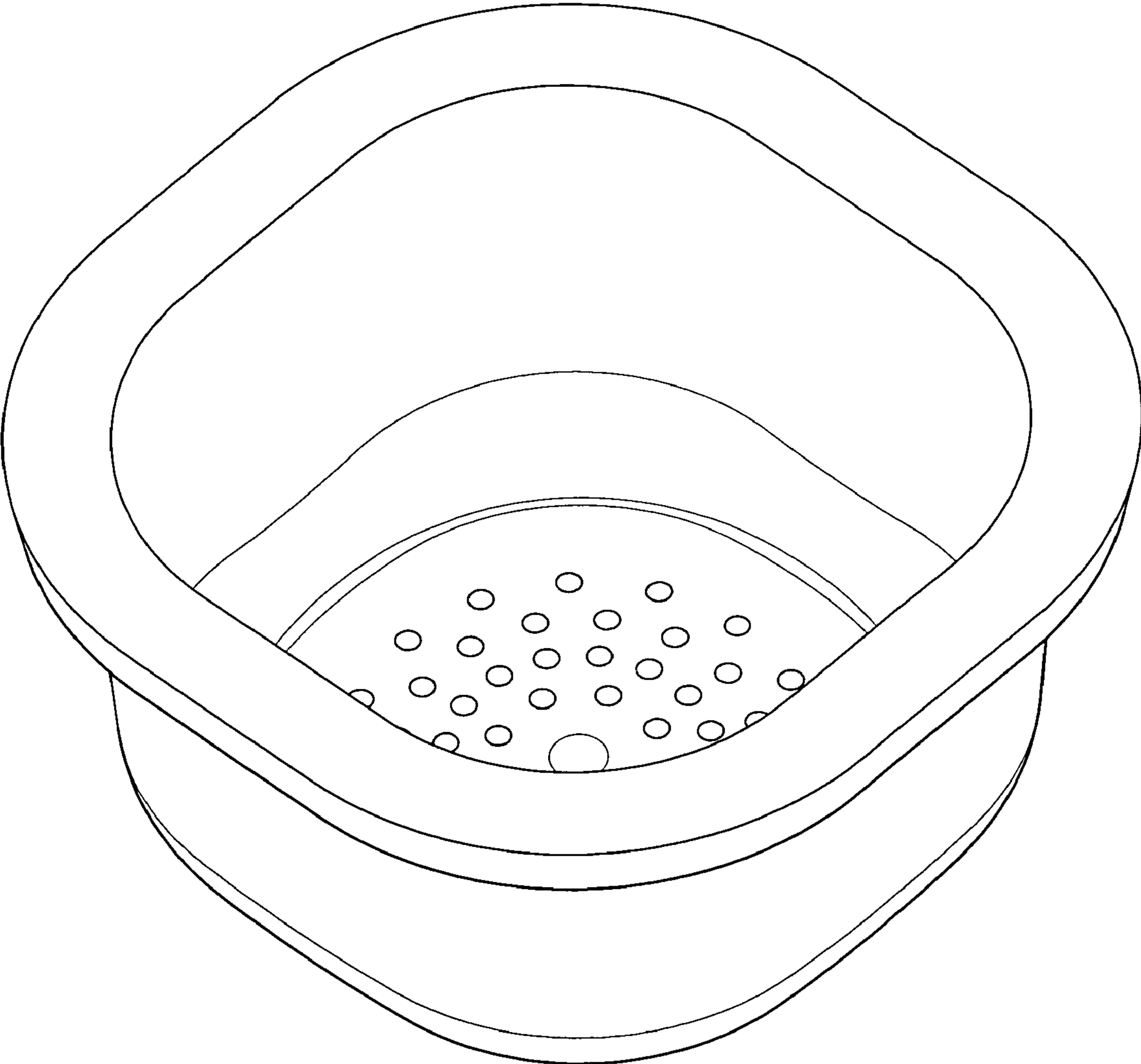
FIG. 6 is a top plan view thereof;

FIG. 7 is a bottom plan view thereof; and,

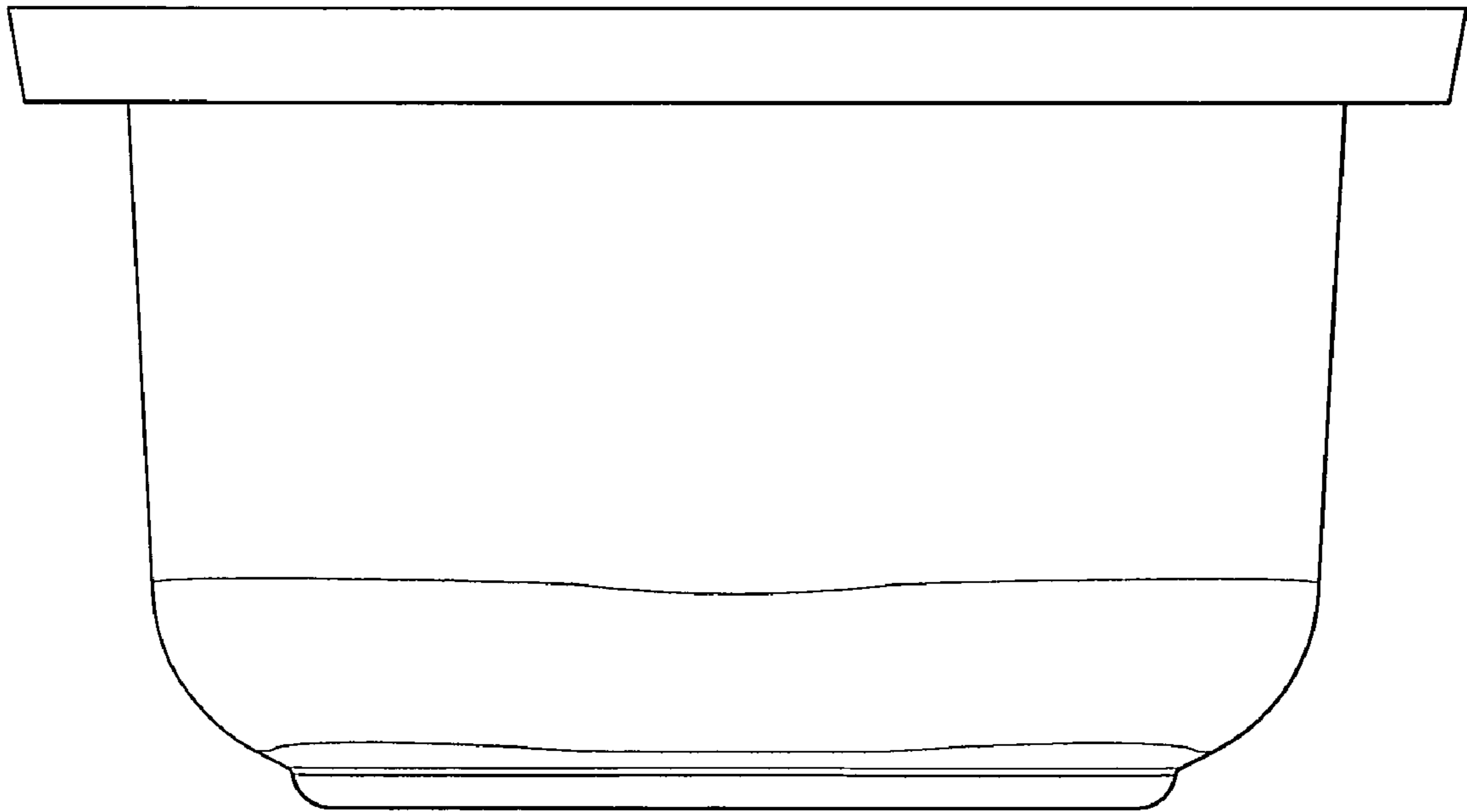
FIG. 8 is a bottom perspective view thereof.

**1 Claim, 8 Drawing Sheets**

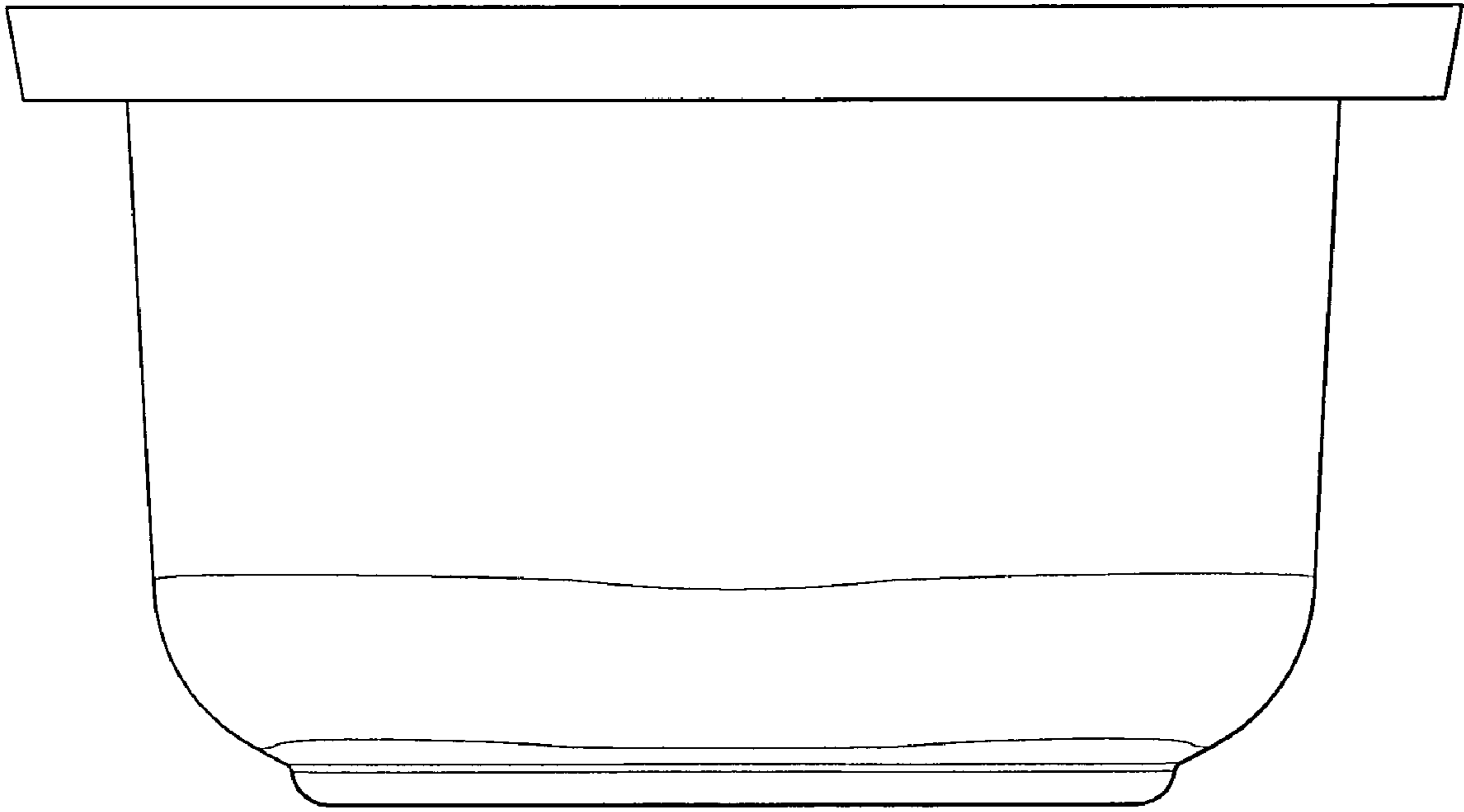




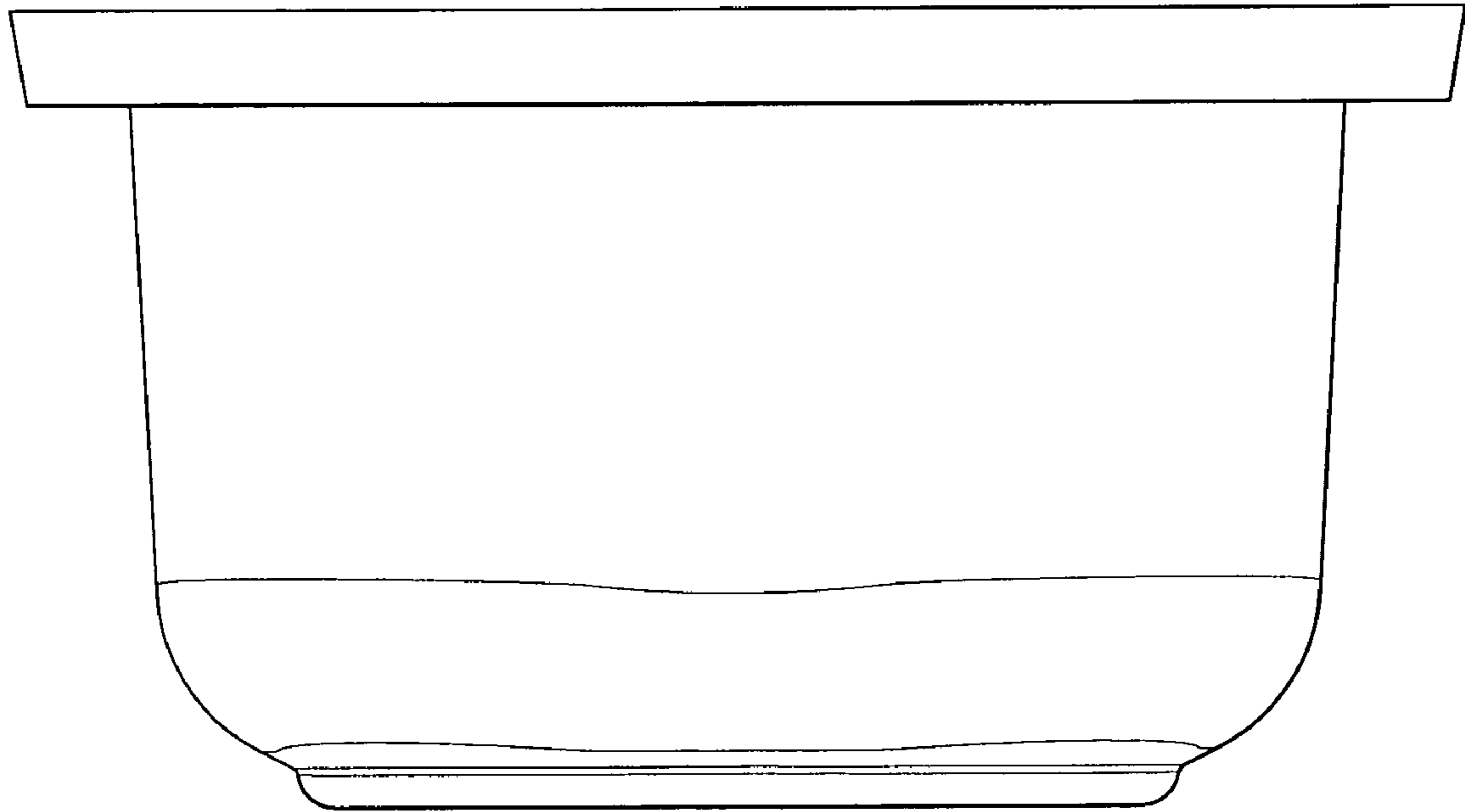
*Fig. 1*



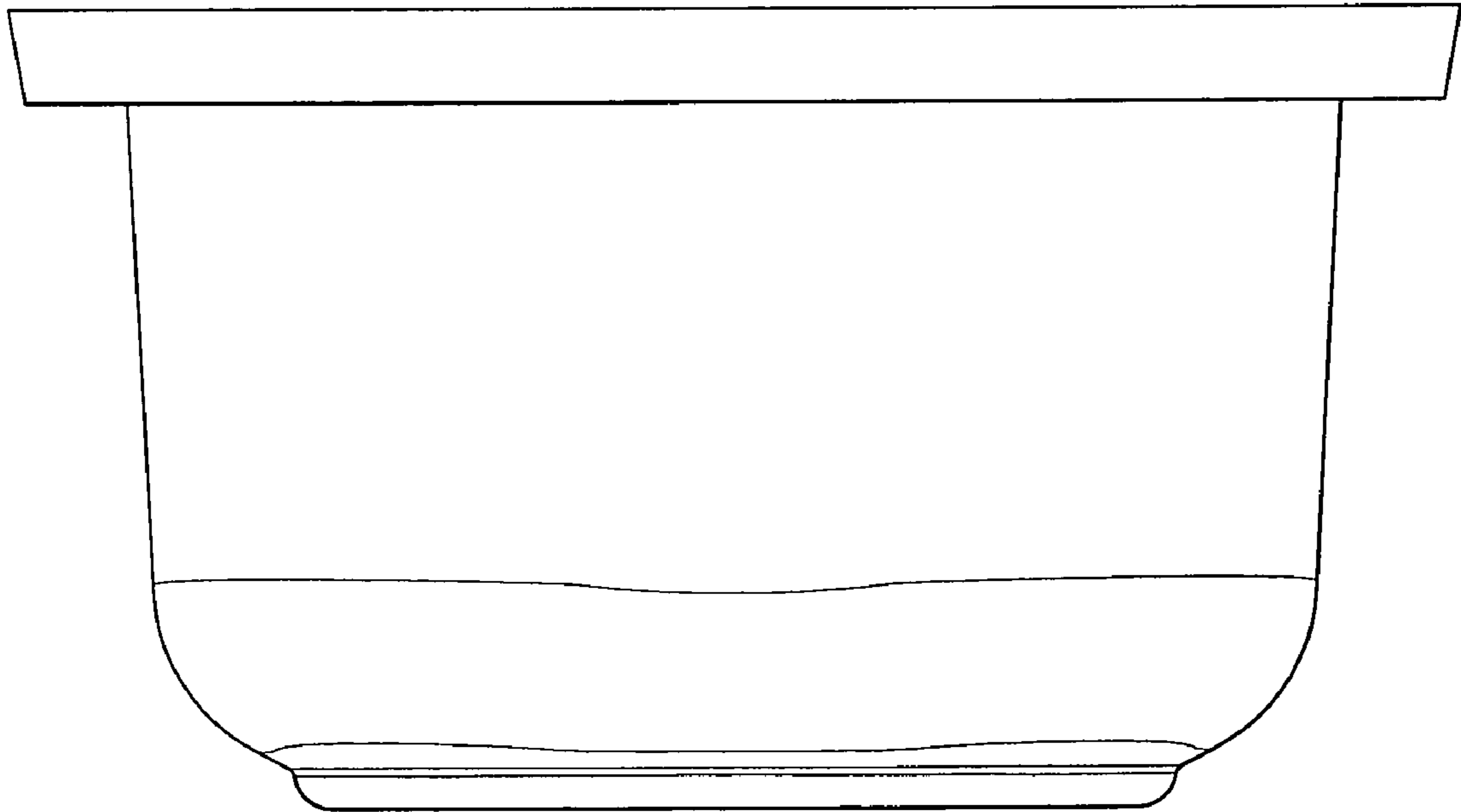
*Fig. 2*



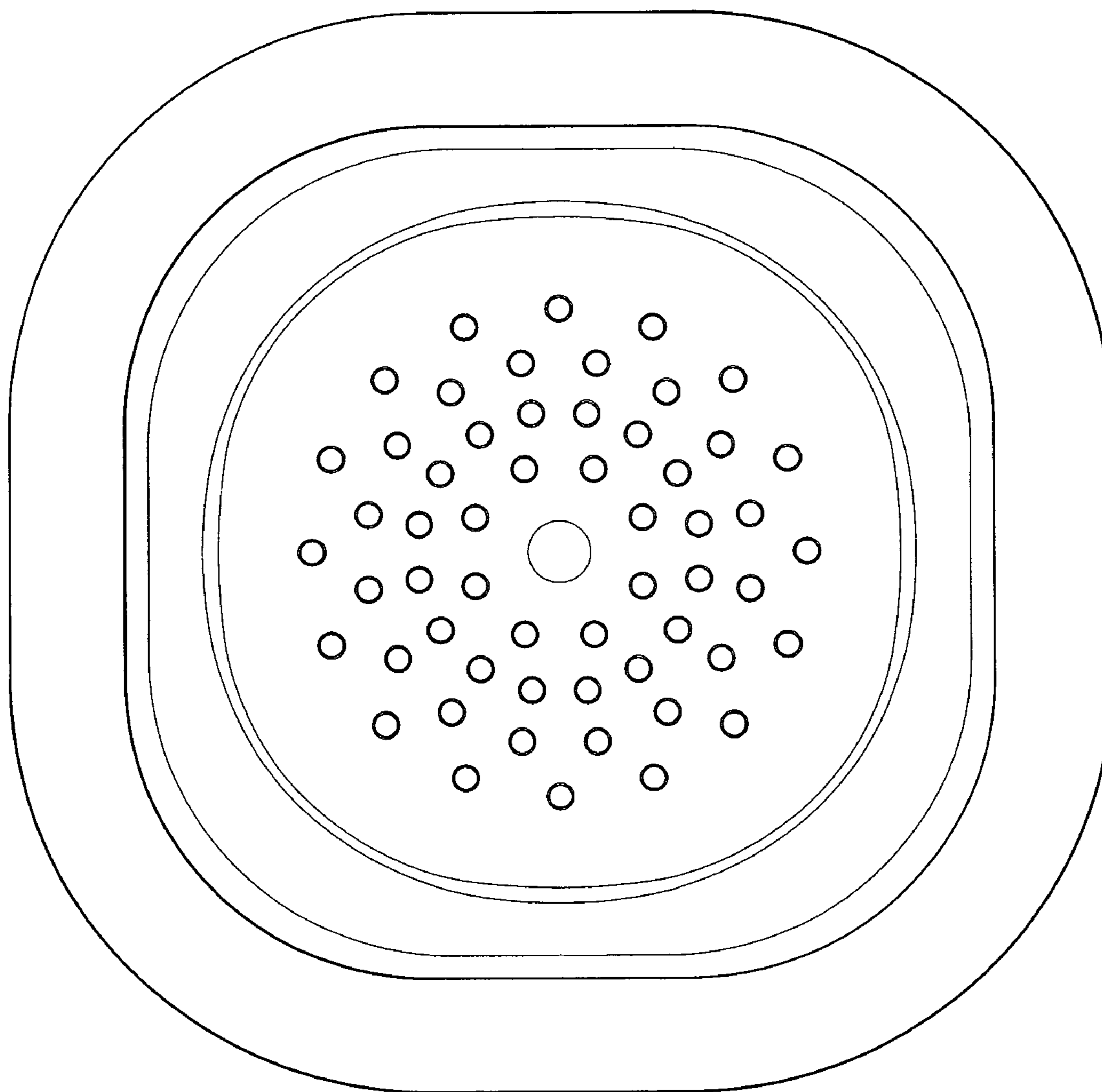
*Fig. 3*



*Fig. 4*

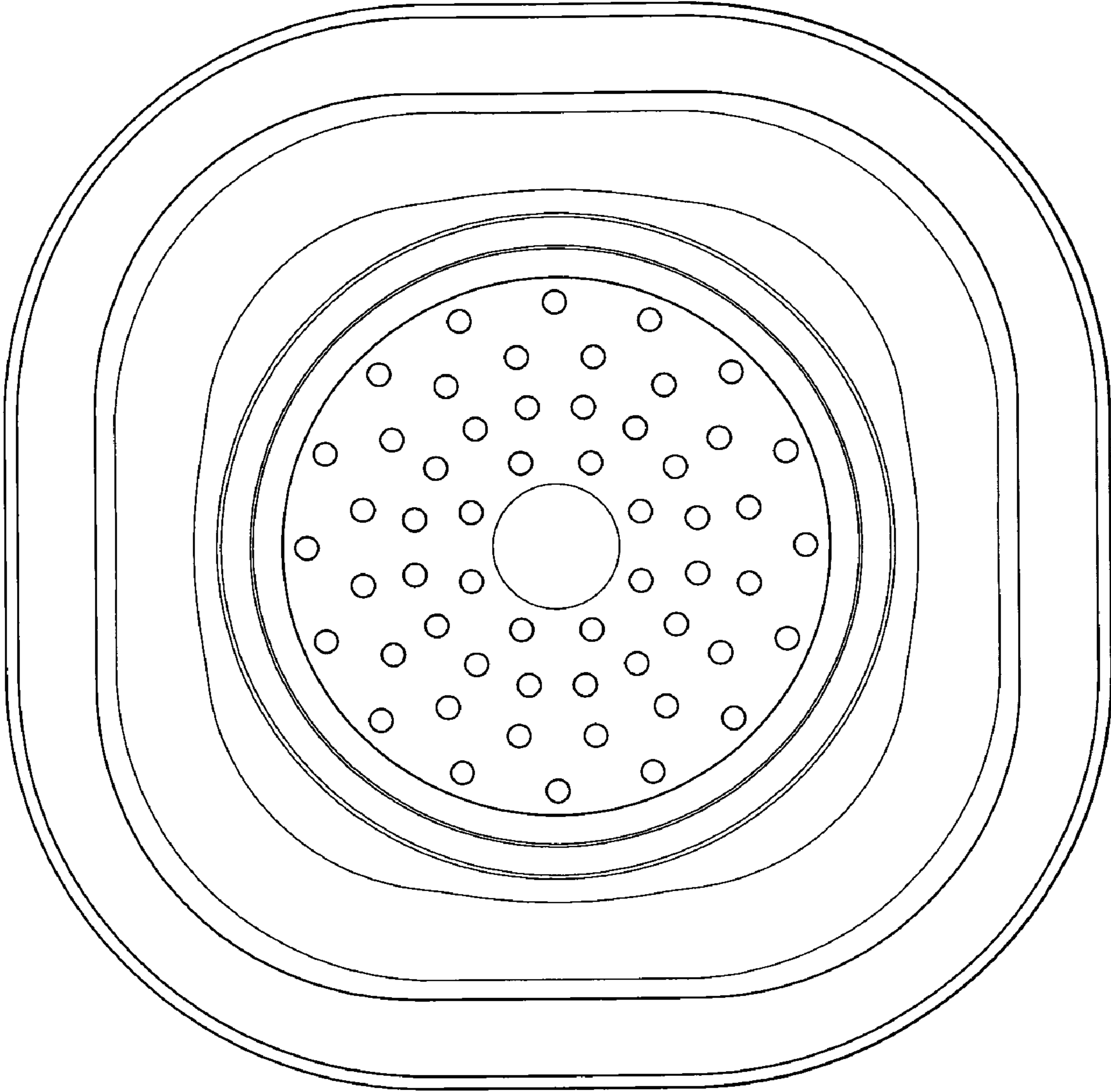


*Fig. 5*



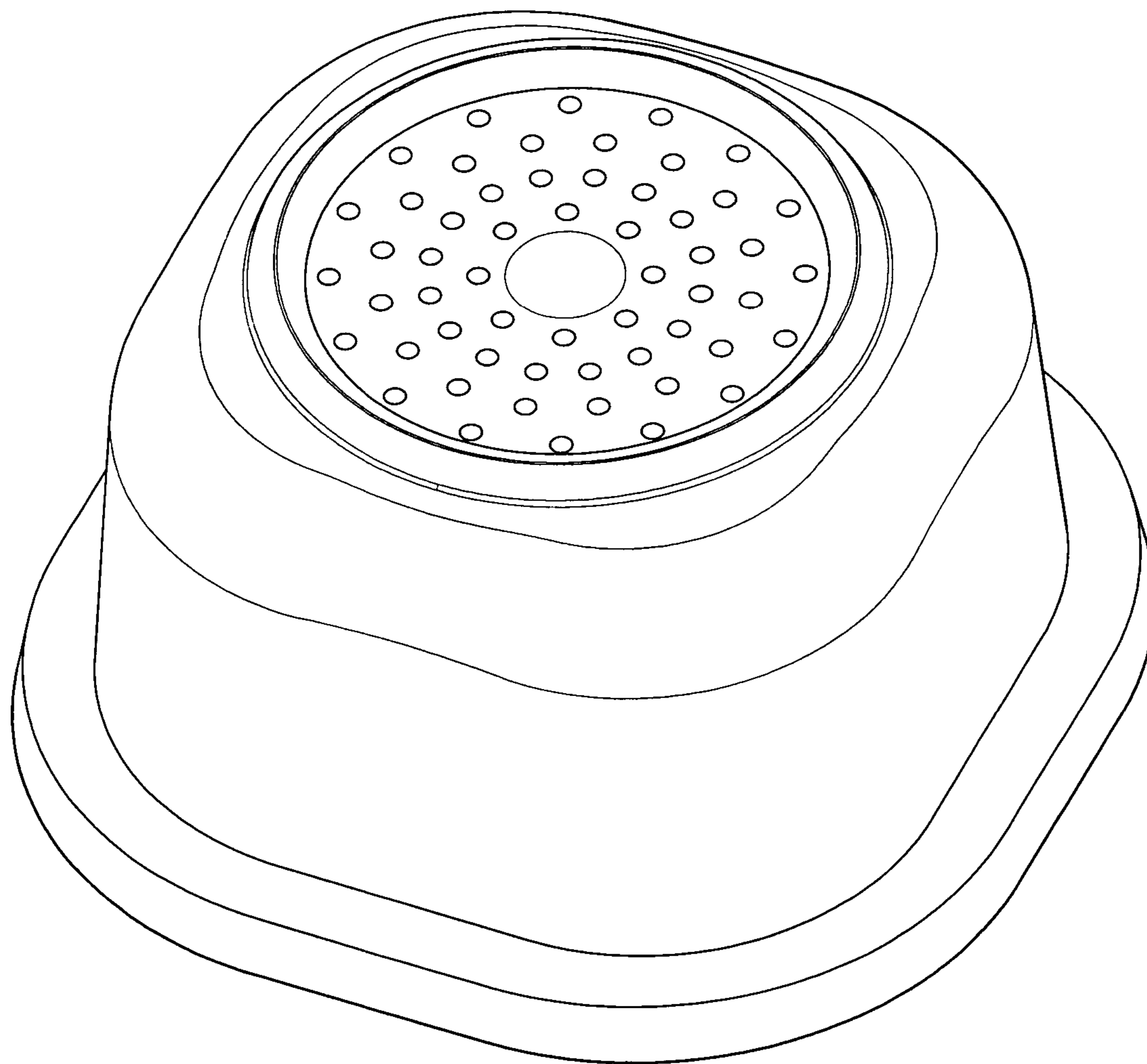
*Fig. 6*





*Fig. 7*





*Fig. 8*