



US00D597402S

(12) **United States Design Patent**
Garza

(10) **Patent No.:** **US D597,402 S**
(45) **Date of Patent:** **** Aug. 4, 2009**

(54) **INTERSECTING REBAR AND TENSION
CABLE SUPPORT CHAIR**

DESCRIPTION

(76) Inventor: **Francisco L. Garza**, 2300 S. 47th St.,
McAllen, TX (US) 78503

(**) Term: **14 Years**

(21) Appl. No.: **29/324,494**

(22) Filed: **Sep. 12, 2008**

(51) **LOC (9) Cl.** **08-05**

(52) **U.S. Cl.** **D8/380; D8/354**

(58) **Field of Classification Search** D8/40,
D8/394, 381, 380, 373, 366, 354, 353, 349,
D8/404; D25/132, 131, 126, 119; 52/687,
52/686, 506.07, 506.06, 426; 248/267, 265,
248/208, 243, 220.22; 211/59.1; D9/447,
D9/435, 434

See application file for complete search history.

(56) **References Cited**

U.S. PATENT DOCUMENTS

D295,725 S *	5/1988	Shioda	D8/380
D375,890 S *	11/1996	Takai	D8/380
D447,931 S *	9/2001	Aitken	D8/354
D482,262 S *	11/2003	Sorkin	D8/354
D500,665 S *	1/2005	Sorkin	D8/354
D543,836 S *	6/2007	Sorkin	D8/354
7,461,491 B1 *	12/2008	Sorkin	52/686
2004/0031228 A1 *	2/2004	Hardy et al.	52/687

* cited by examiner

Primary Examiner—Susan Bennett Hattan

(74) *Attorney, Agent, or Firm*—Edell, Shapiro & Finnan,
LLC

(57) **CLAIM**

The ornamental design for an intersecting rebar and tension
cable support chair, as shown and described.

FIG. 1 is a perspective view of the intersecting rebar and
tension cable support chair according to an embodiment of
the present invention.

FIG. 2 is a front view in elevation of the support chair
shown in FIG. 1.

FIG. 3 is a rear view in elevation of the support chair
shown in FIG. 1.

FIG. 4 is a right side view in elevation of the support
chair shown in FIG. 1.

FIG. 5 is a left side view in elevation of the support
chair shown in FIG. 1.

FIG. 6 is a top view in plan of the support chair shown
in FIG. 1.

FIG. 7 is a bottom view in plan of the support chair
shown in FIG. 1.

FIG. 8 is a perspective view of the intersecting rebar and
tension cable support chair support chair according to an
embodiment of the present invention.

FIG. 9 is a front view in elevation of the support chair
shown in FIG. 8.

FIG. 10 is a rear view in elevation of the support chair
shown in FIG. 8.

FIG. 11 is a right side view in elevation of the support
chair shown in FIG. 8.

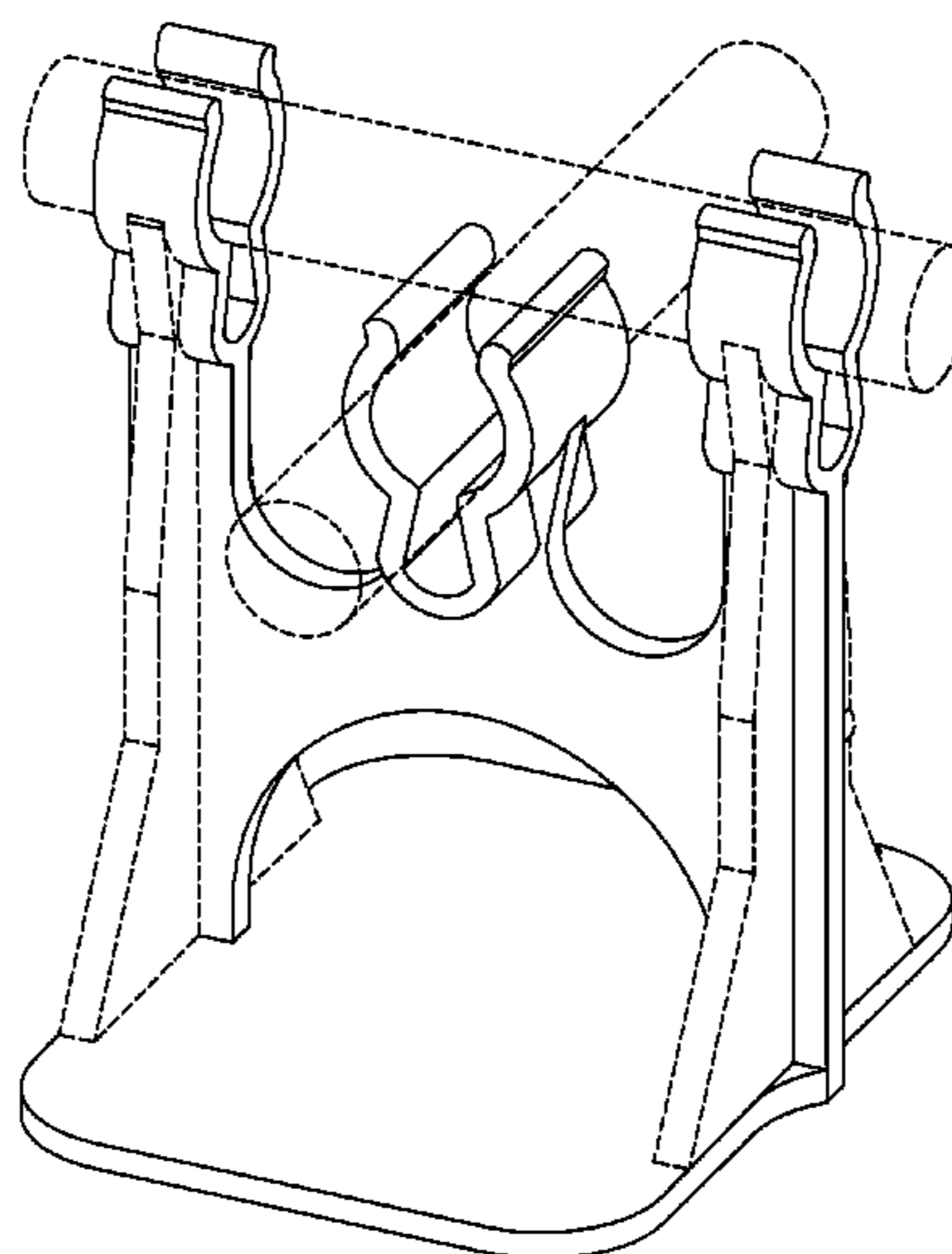
FIG. 12 is a left side view in elevation of the support
chair shown in FIG. 8.

FIG. 13 is a top view in plan of the support chair shown
in FIG. 8; and,

FIG. 14 is a bottom view in plan of the support chair
shown in FIG. 8.

The broken lines, showing environmental structure in the
figures, form no part of the claimed design.

1 Claim, 8 Drawing Sheets



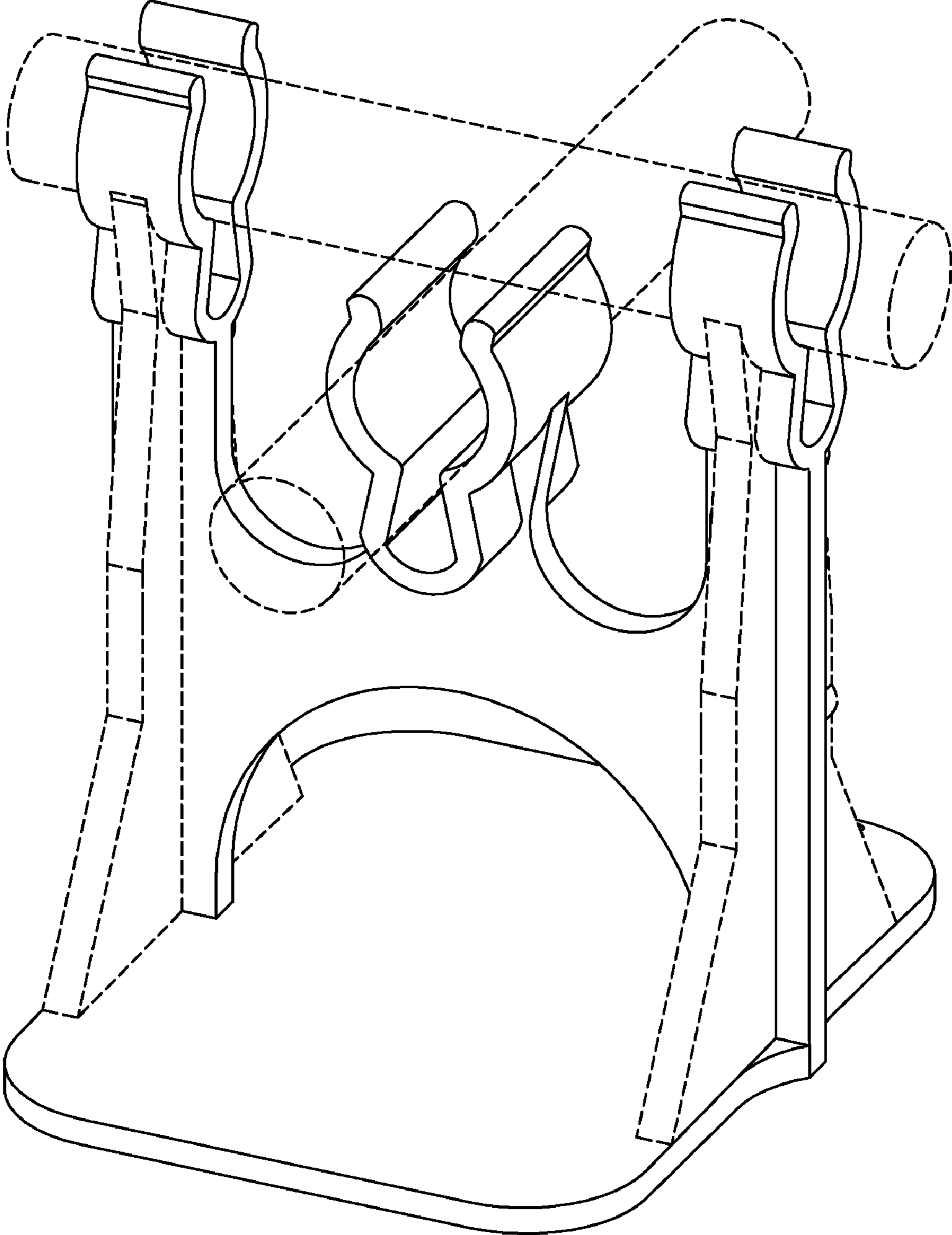


FIG.1

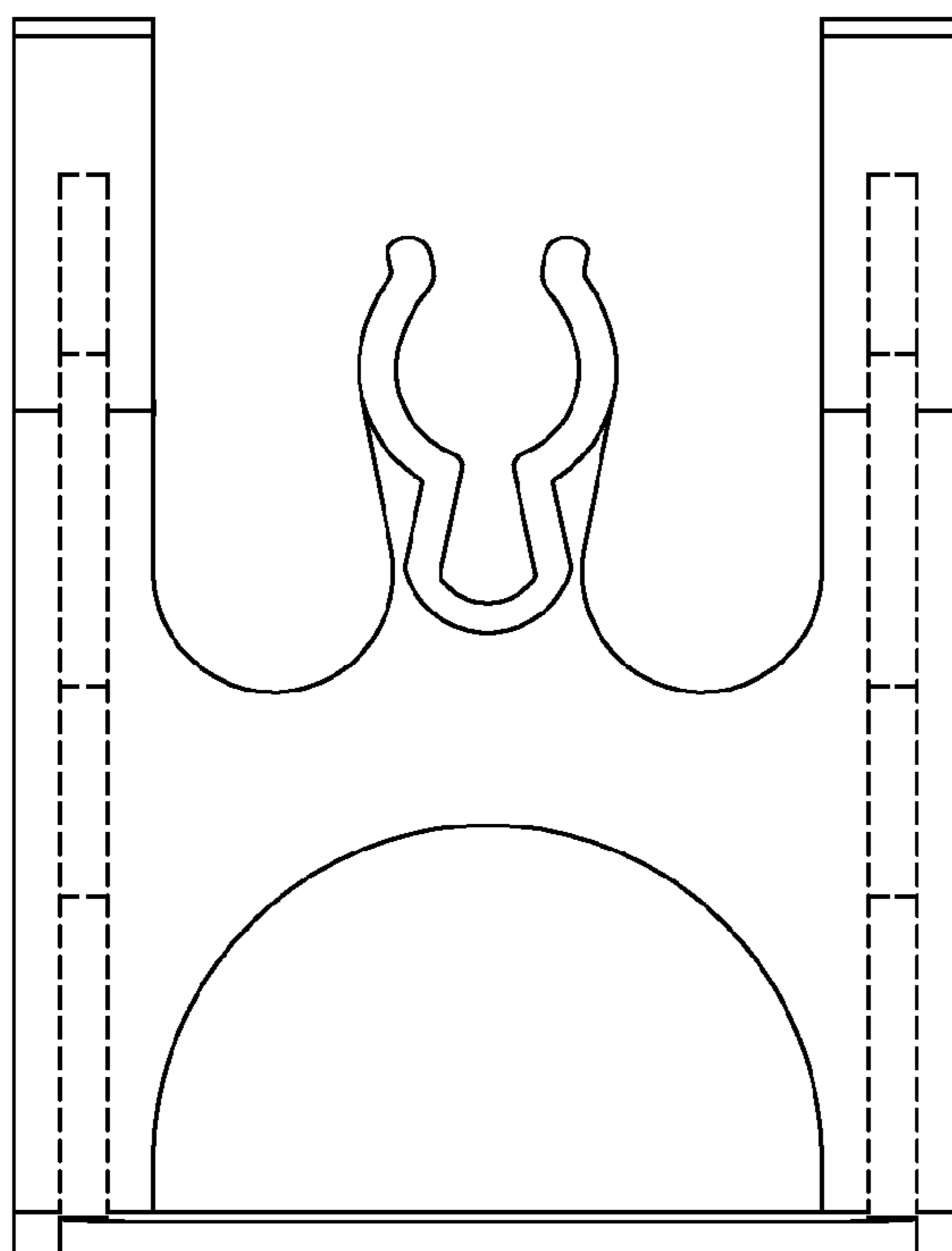


FIG. 2

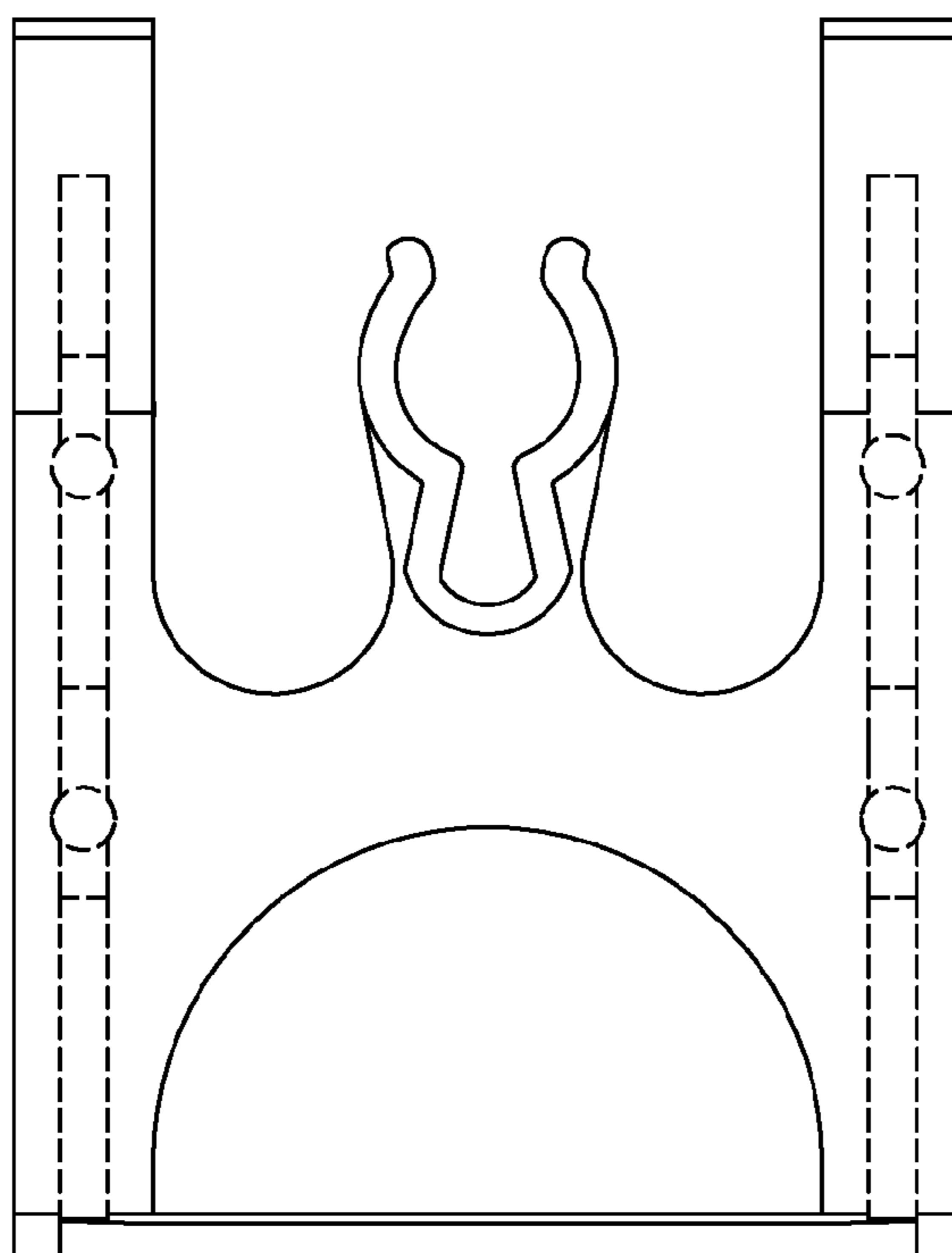


FIG. 3

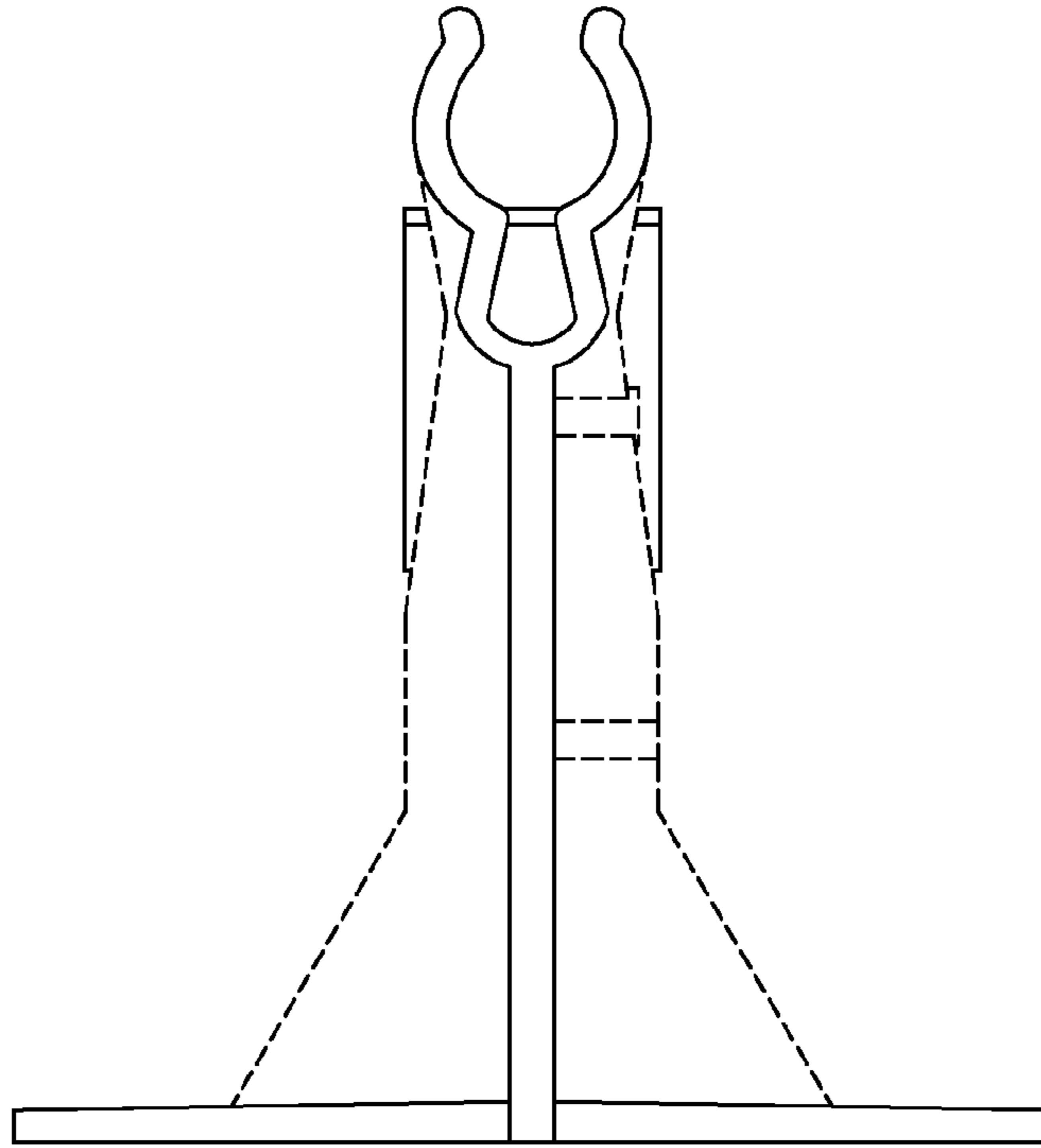


FIG.4

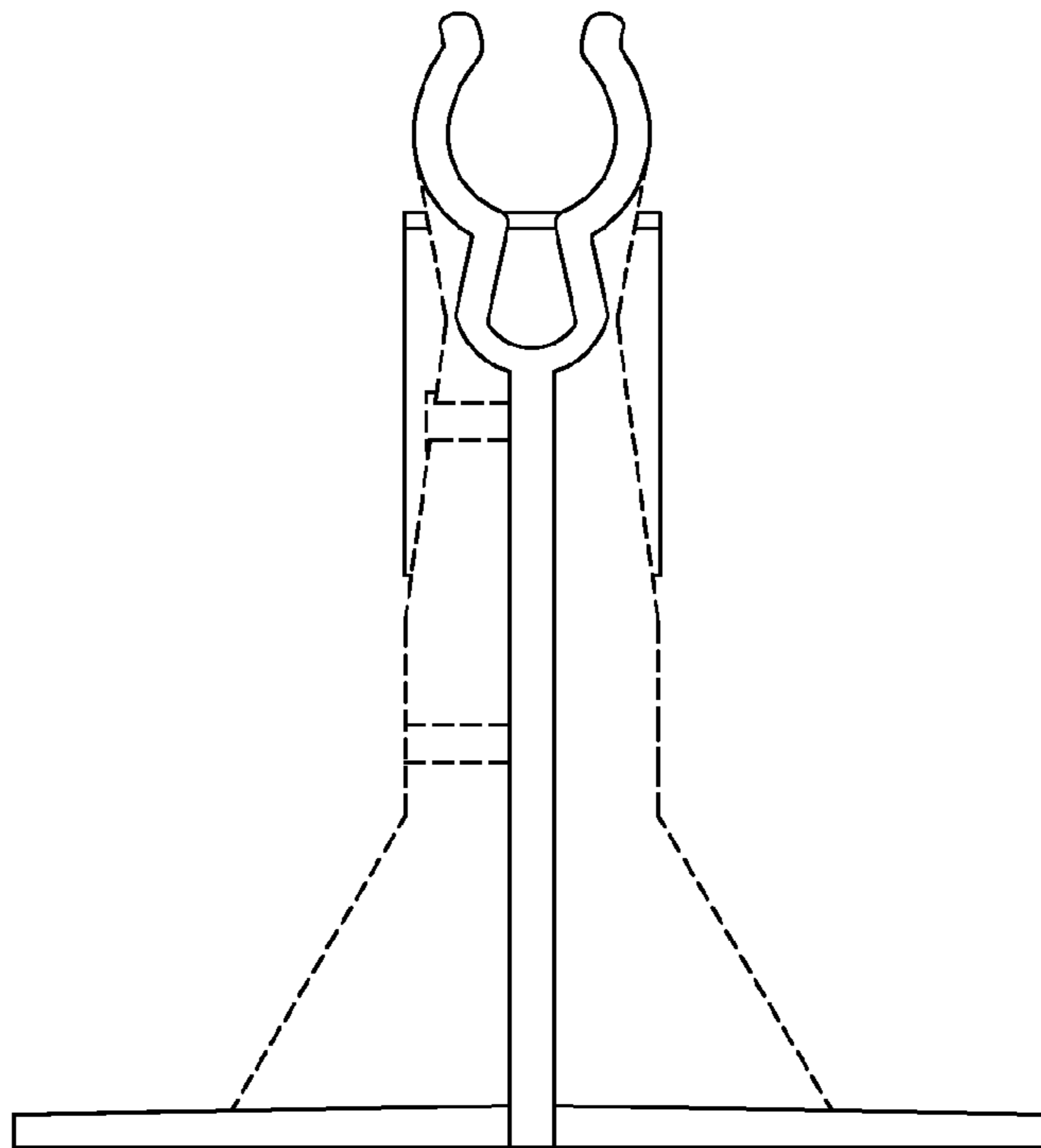


FIG.5

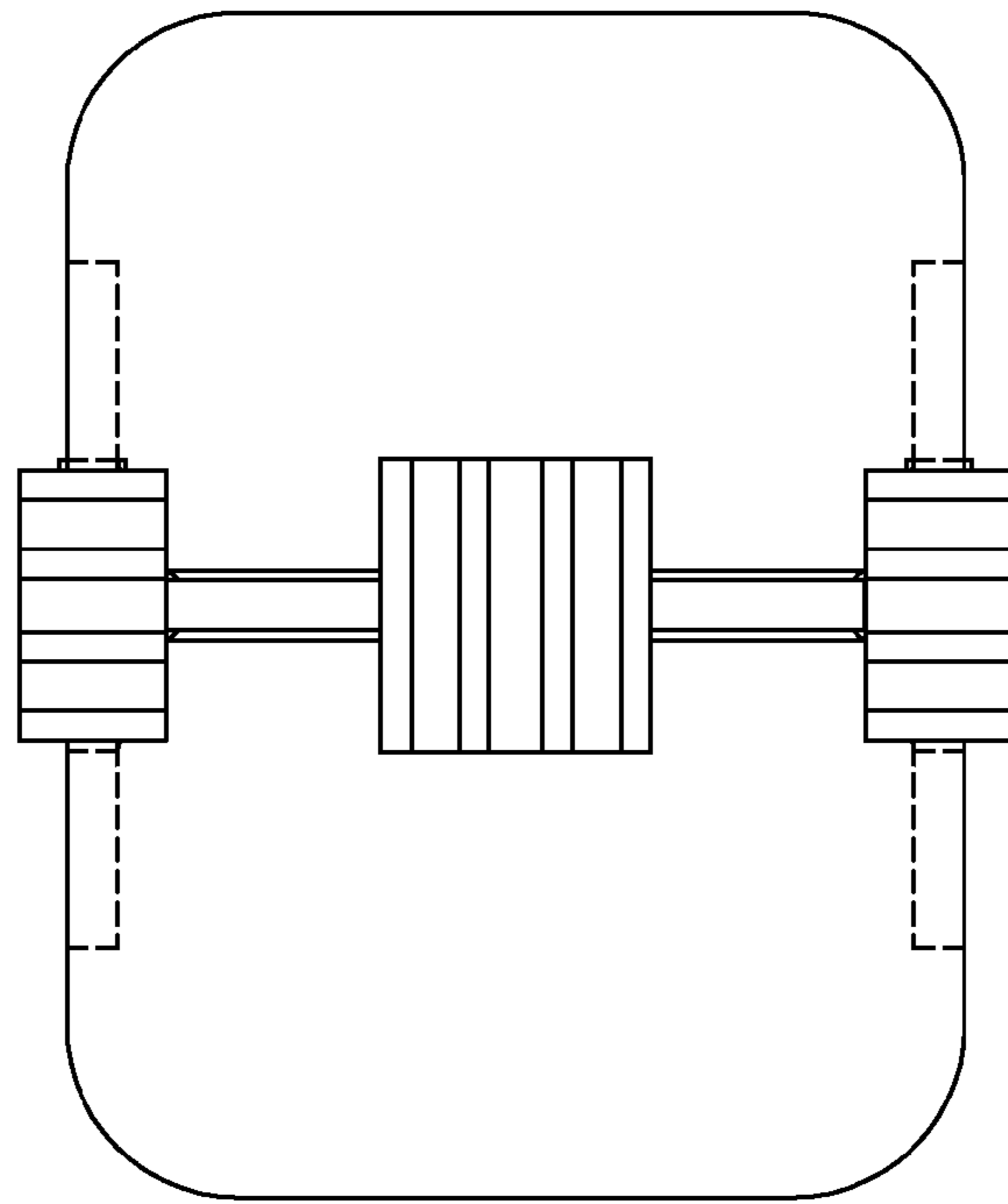


FIG. 6

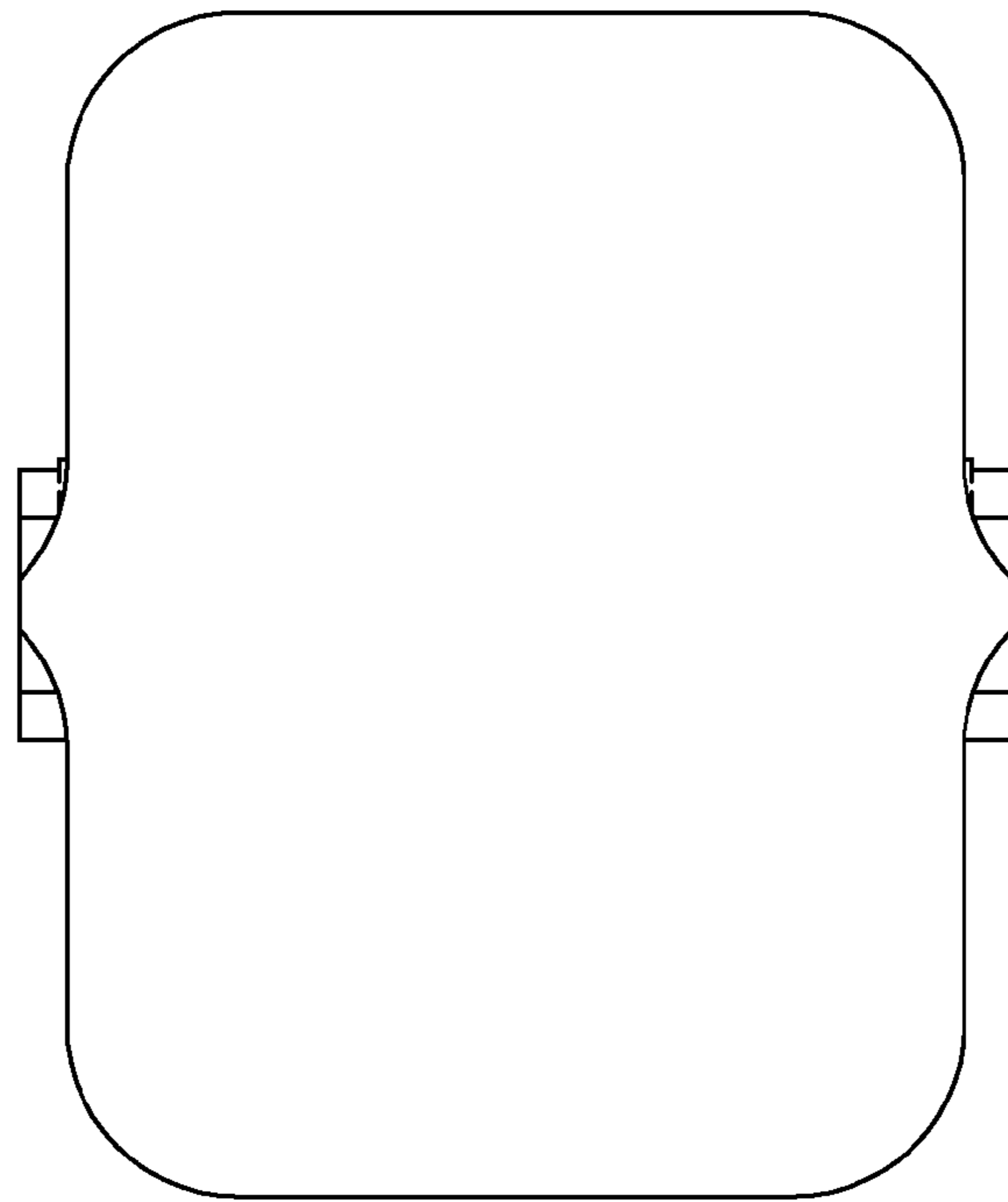


FIG. 7

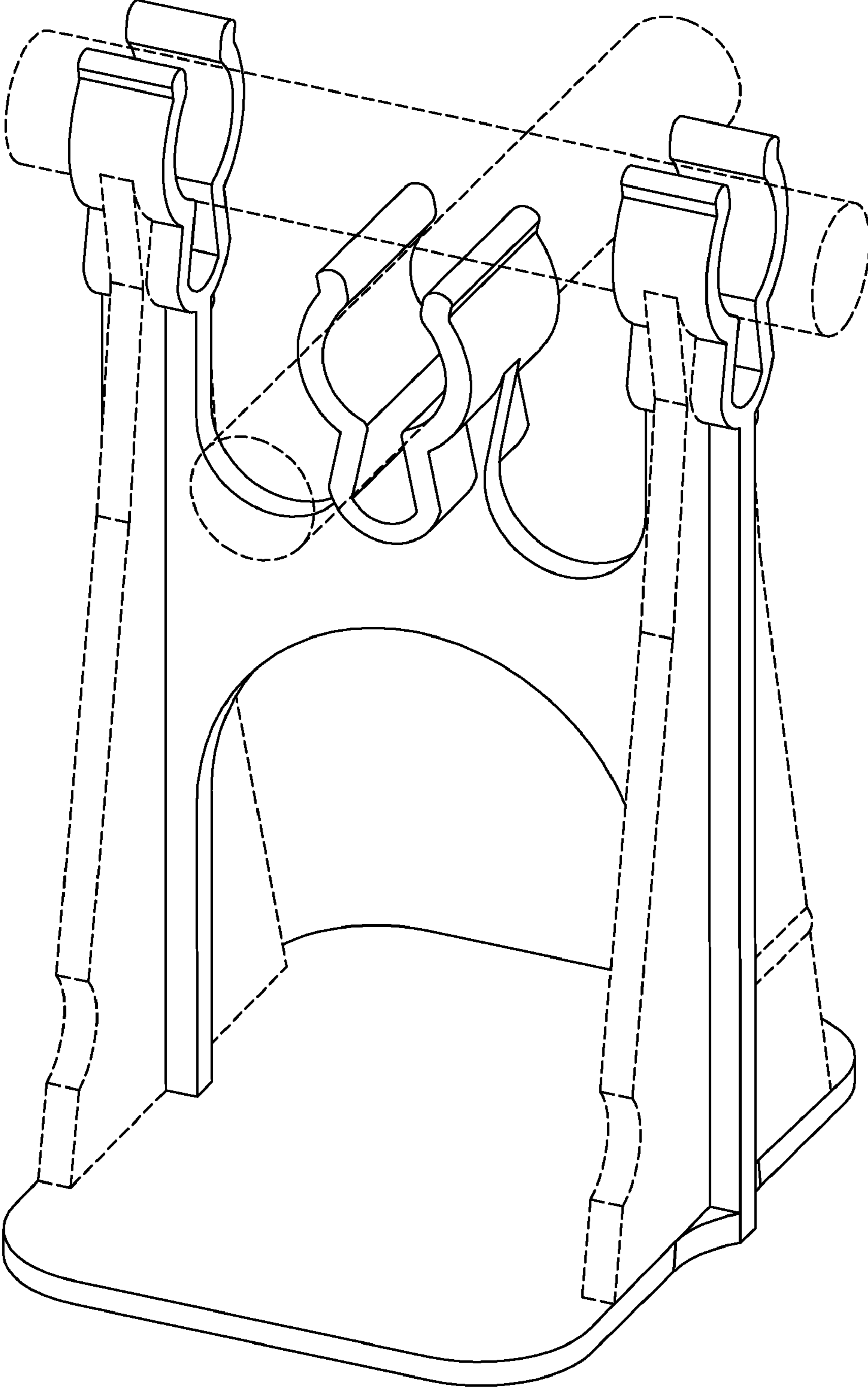


FIG.8

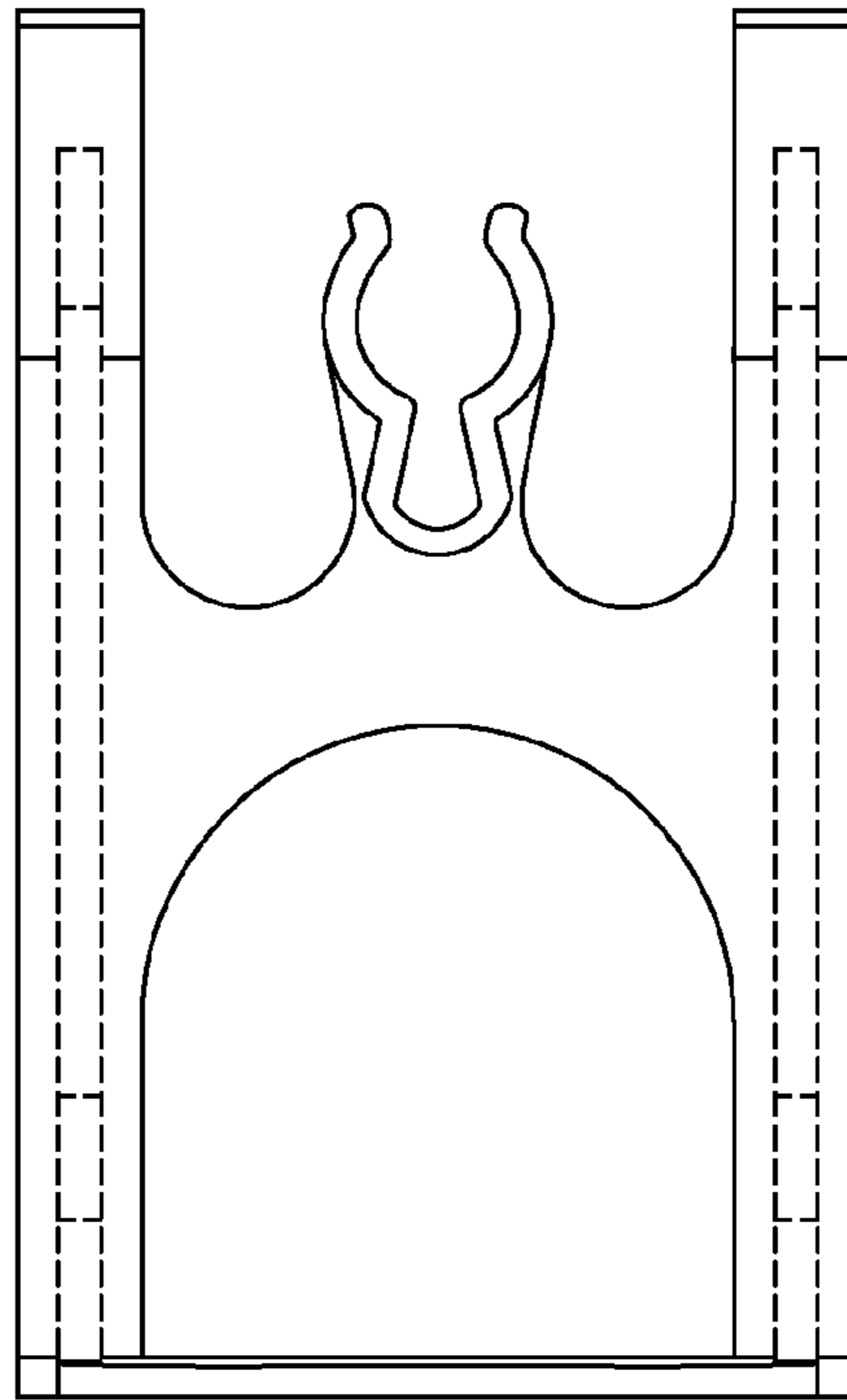


FIG.9

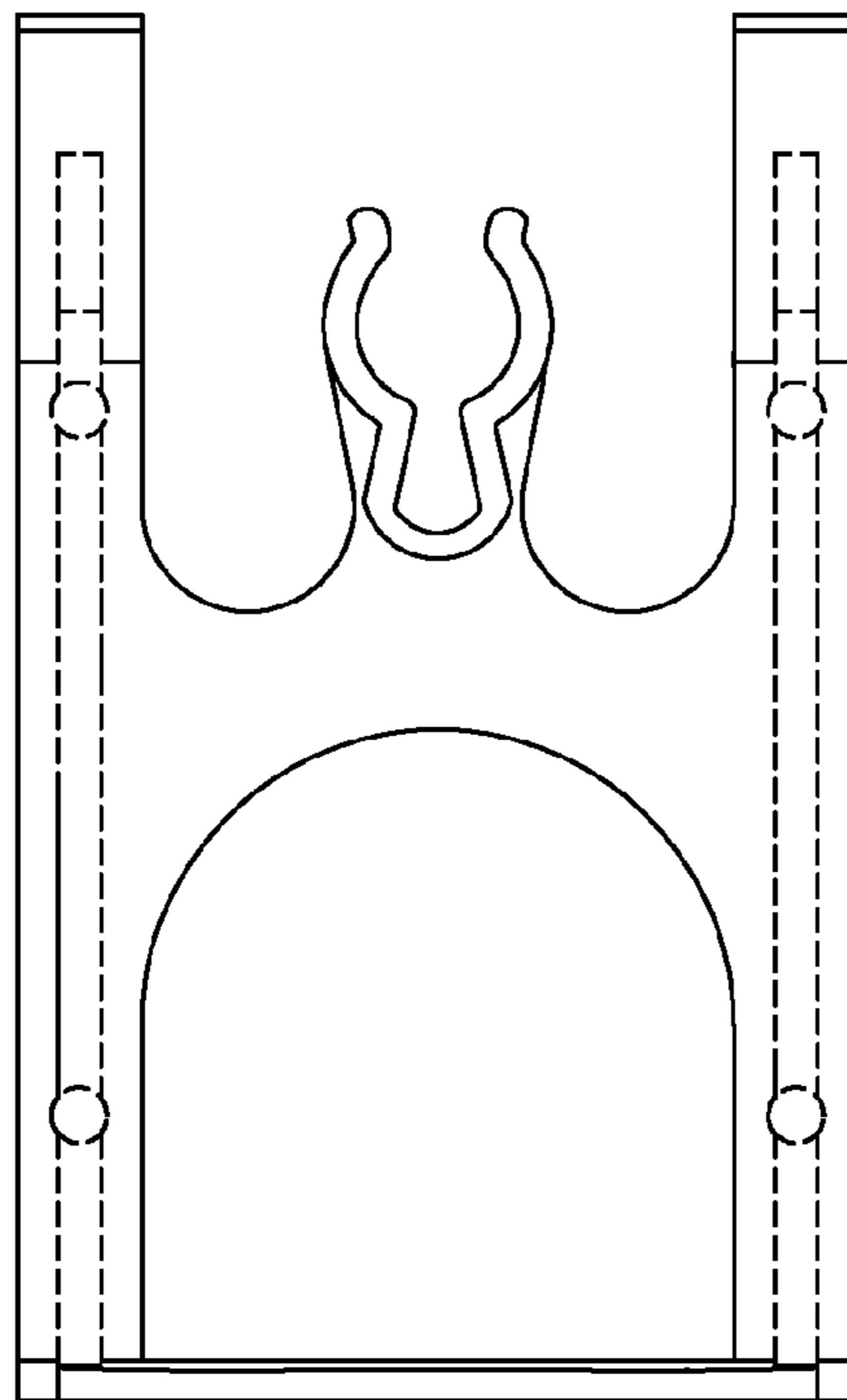


FIG.10

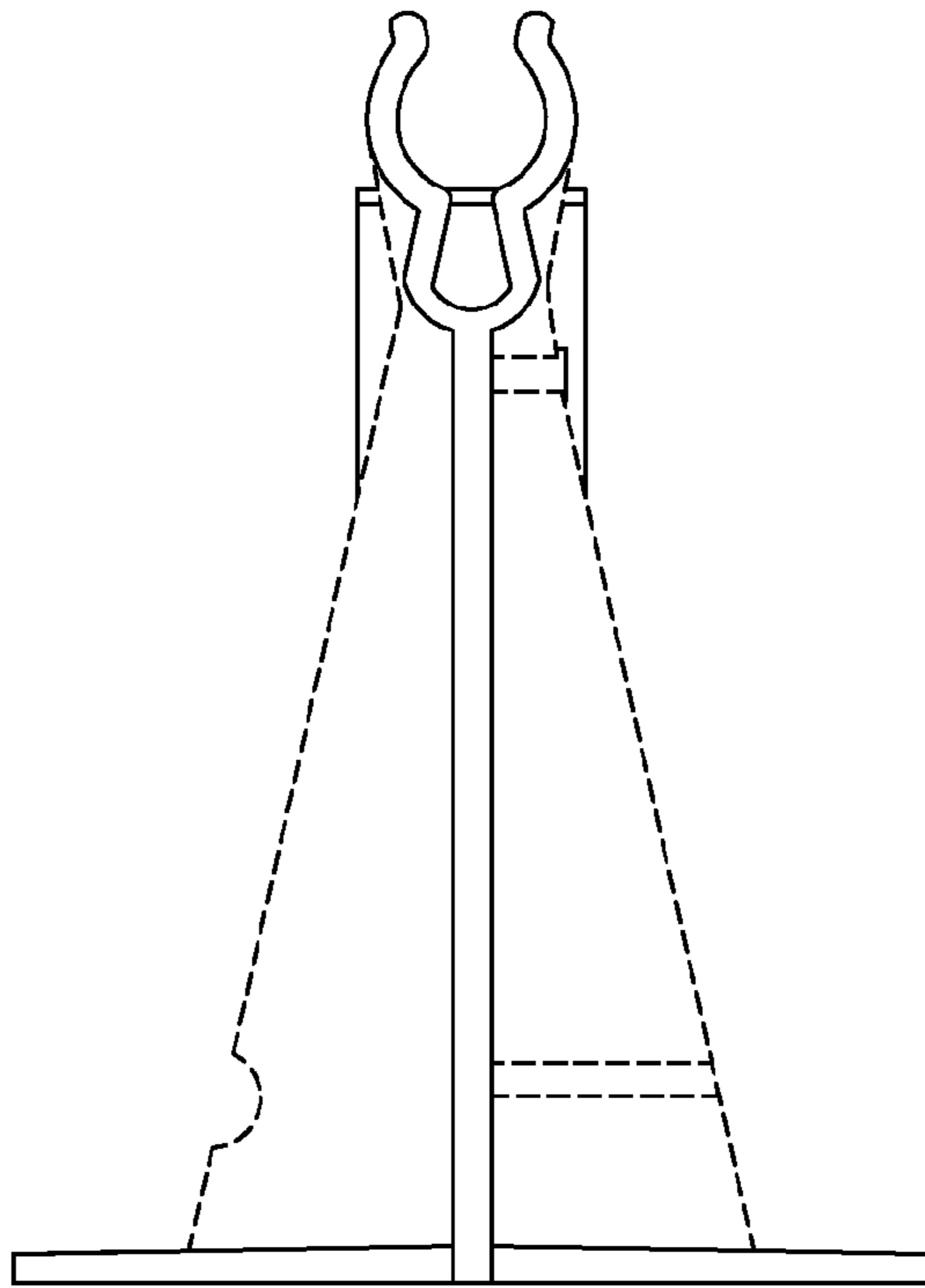


FIG.11

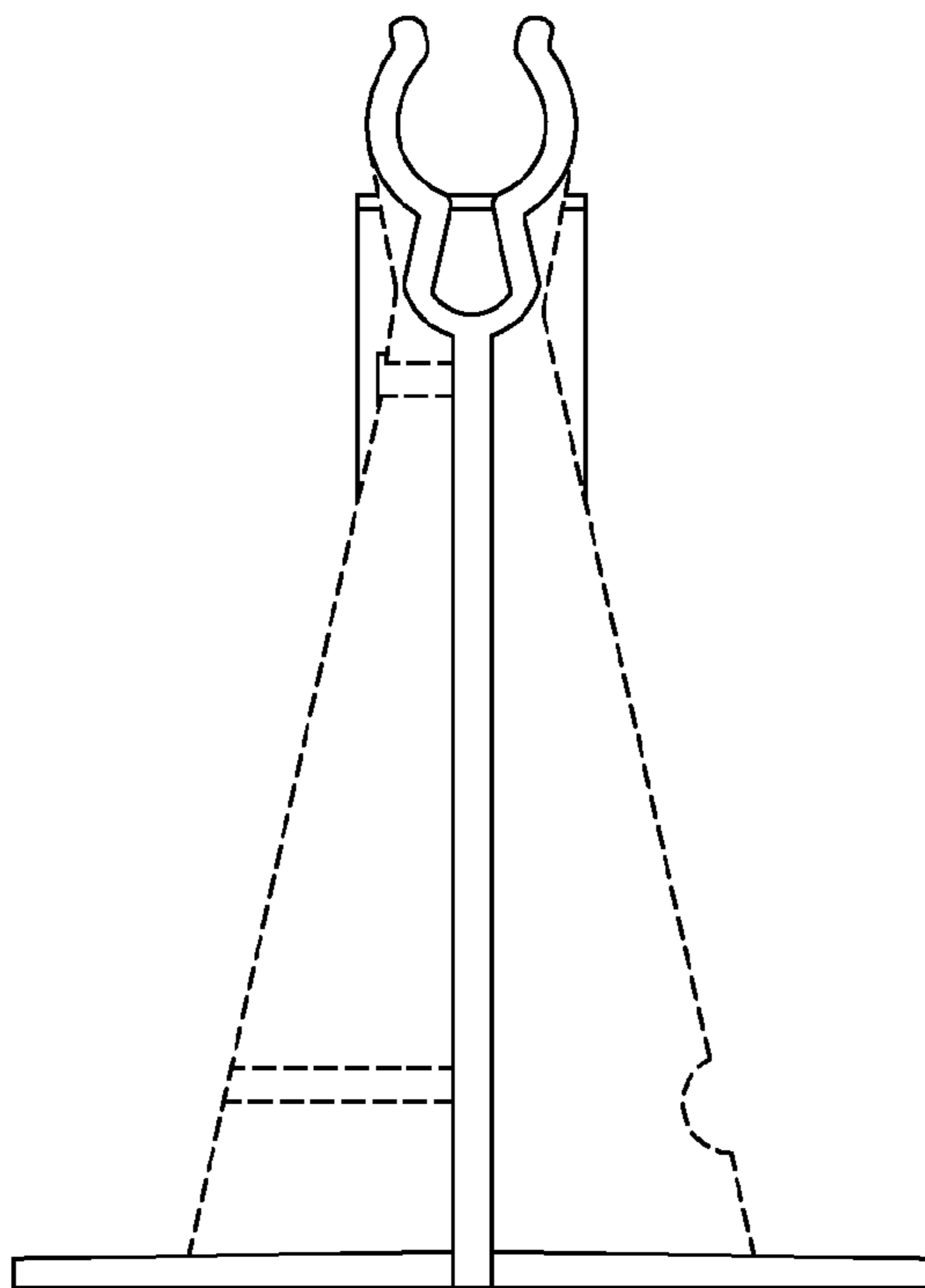


FIG.12

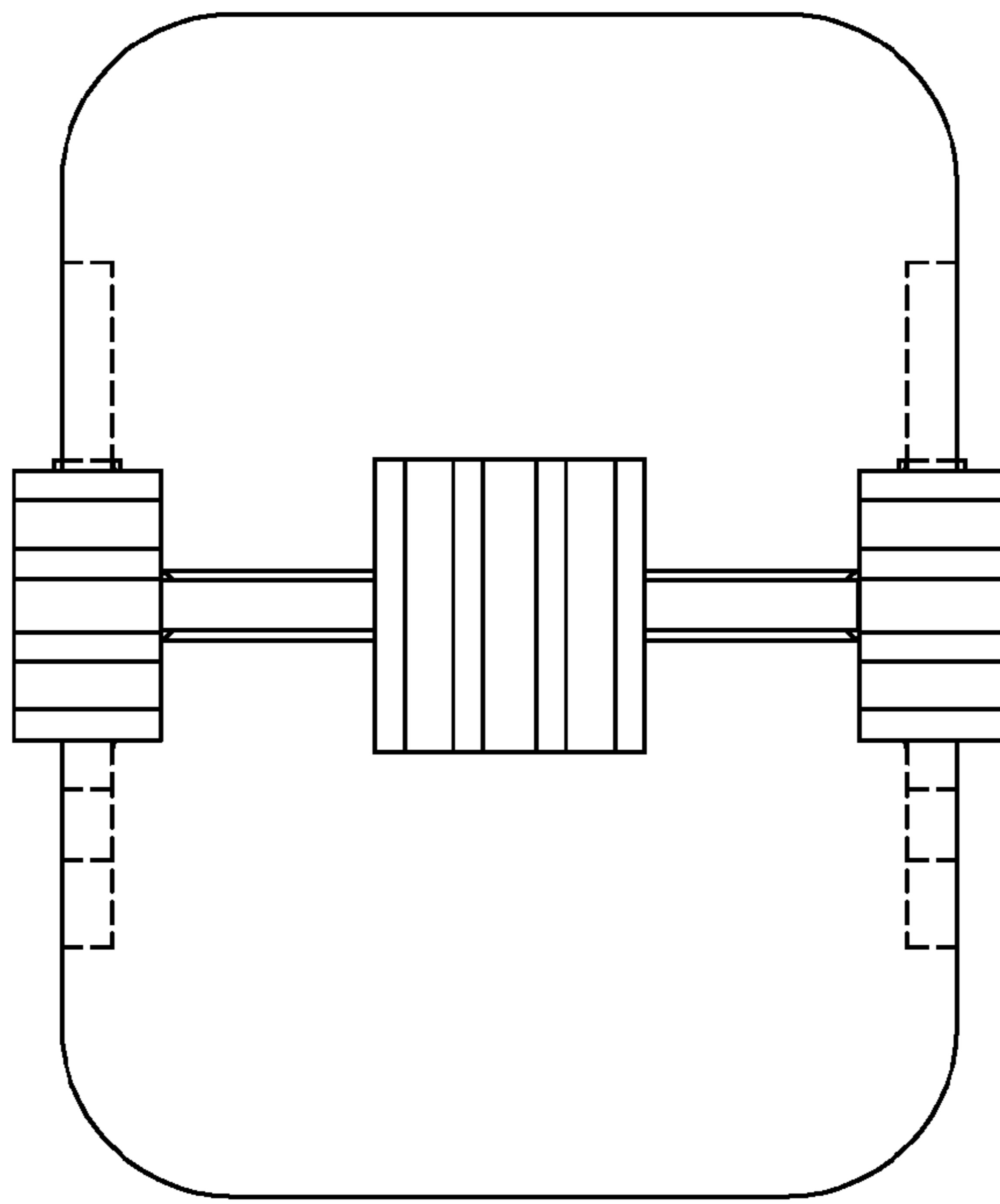


FIG.13

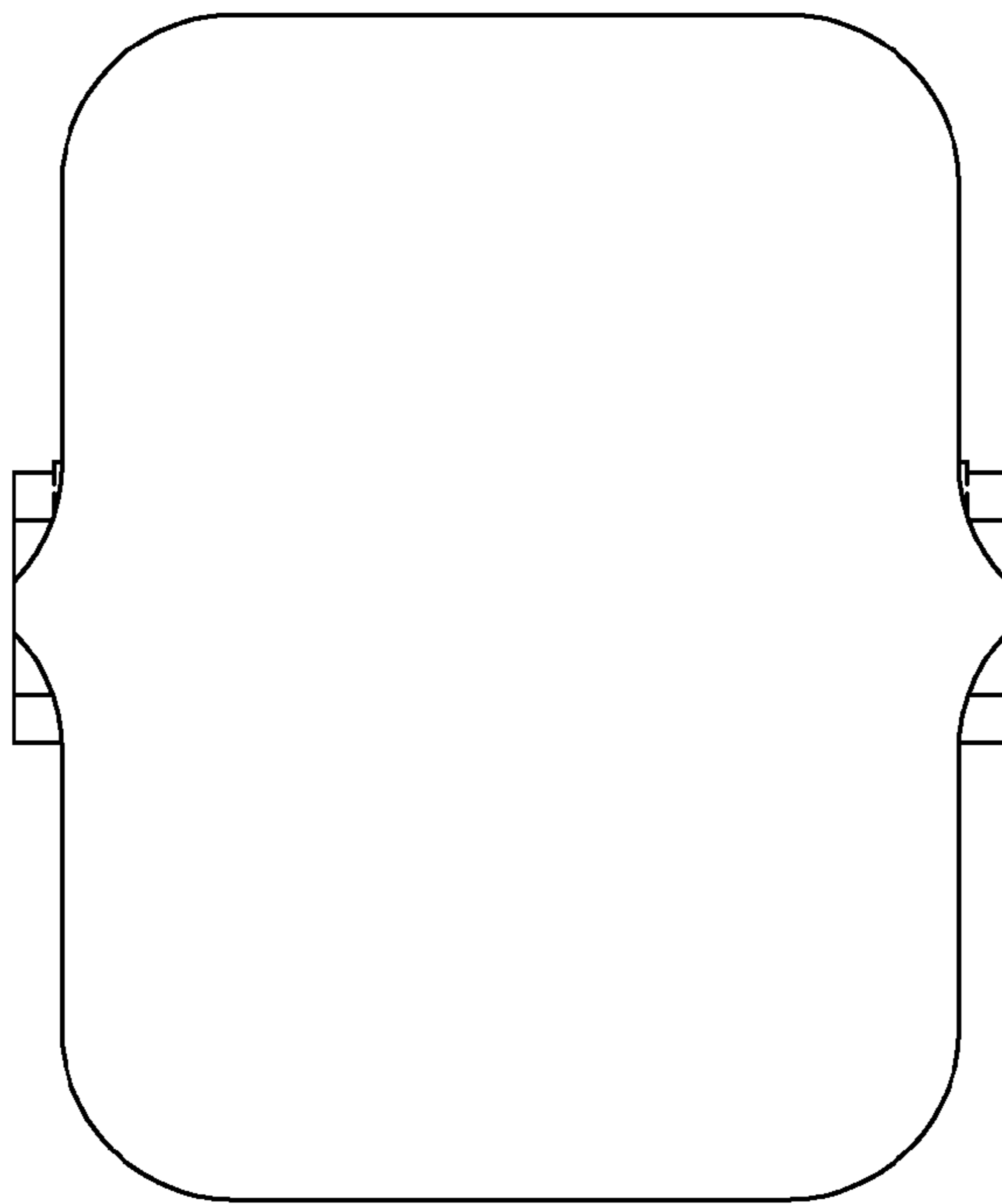


FIG.14