



US00D597400S

(12) **United States Design Patent**
Matejcek

(10) **Patent No.:** **US D597,400 S**

(45) **Date of Patent:** **** Aug. 4, 2009**

(54) **HOOK**

Primary Examiner—Holly H Baynham

(76) **Inventor:** **John P. Matejcek**, N 65 W27591 Maple St., Sussex, WI (US) 53089

(57) **CLAIM**

The ornamental design for the hook, as shown and described.

(**) **Term:** **14 Years**

(21) **Appl. No.:** **29/279,527**

DESCRIPTION

(22) **Filed:** **May 2, 2007**

(51) **LOC (9) Cl.** **08-05**

(52) **U.S. Cl.** **D8/367**

(58) **Field of Classification Search** D8/367,
D8/373; 248/301, 304

See application file for complete search history.

FIG. 1 is a perspective view of a hook, showing my new design;

FIG. 2 is an enlarged, front elevational view of the invention.

FIG. 3 is a rear elevational view of the invention;

FIG. 4 is a left-side elevational view of the invention, the right-side elevational view being a mirror image thereof;

FIG. 5 is a top plan view of the invention; and,

FIG. 6 is a bottom plan view of the invention.

The broken lines showing a person carrying a load on a strap in FIG. 1 are included for the purpose of illustrating the hook in use, and form no part of the claimed design.

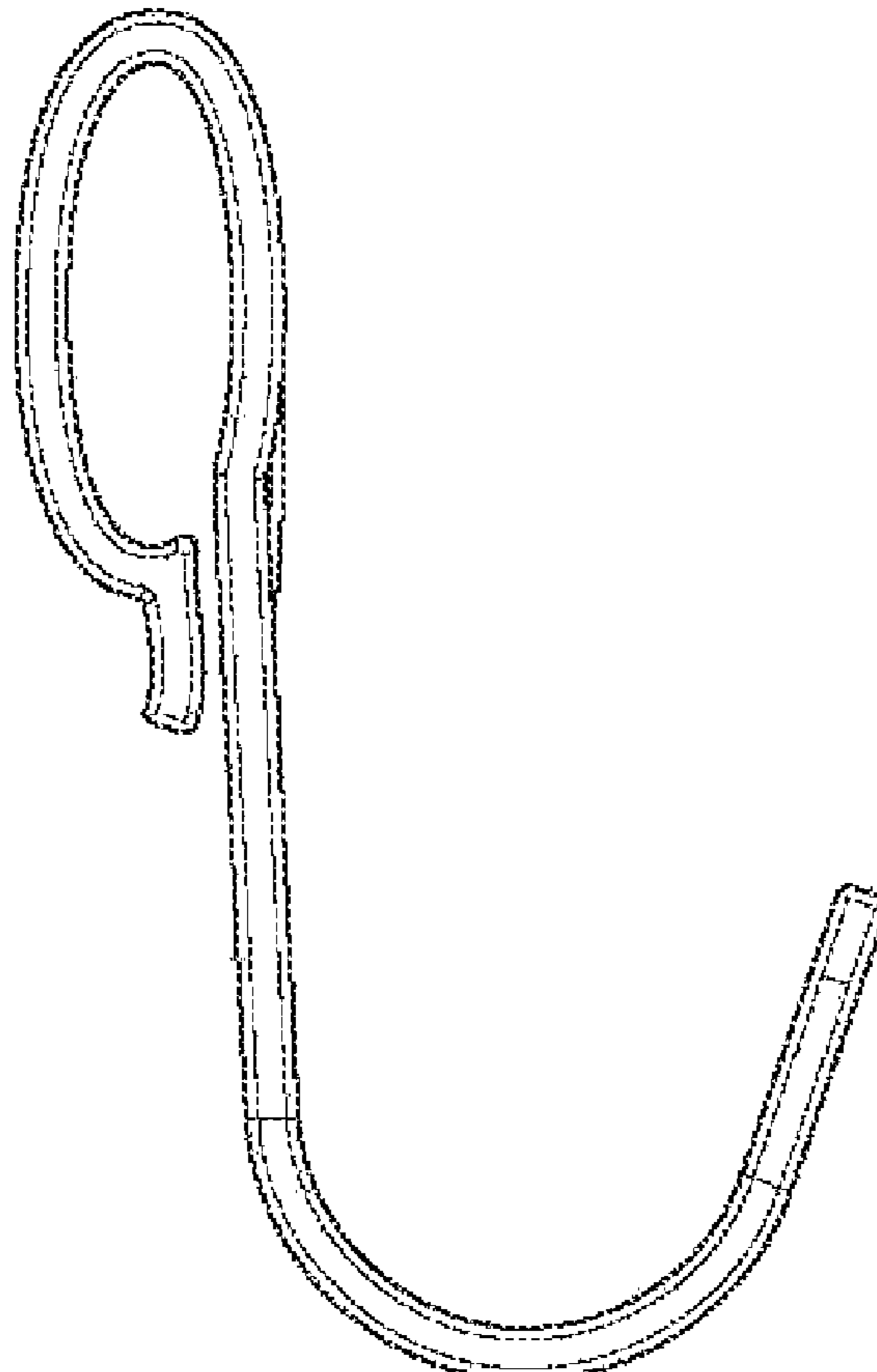
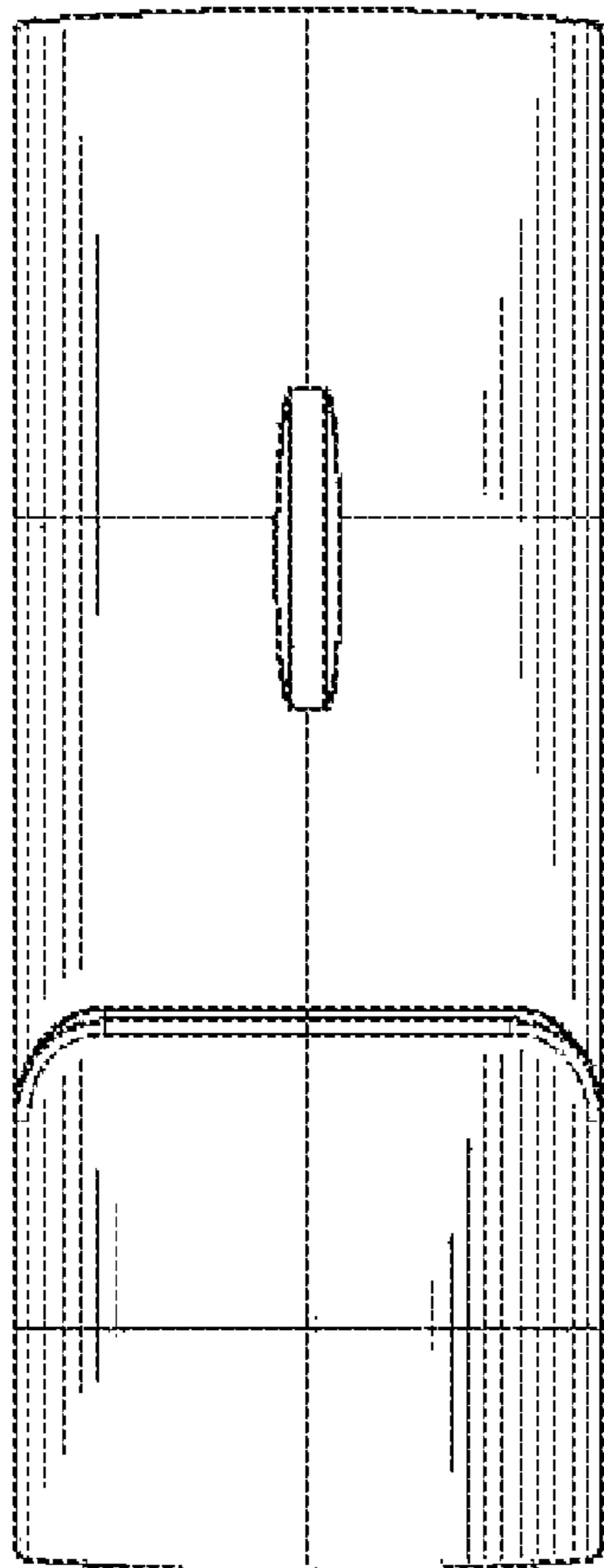
(56) **References Cited**

U.S. PATENT DOCUMENTS

| | | | |
|---------------|---------|-------------------|---------|
| D349,447 S * | 8/1994 | Daniller | D8/367 |
| D364,335 S * | 11/1995 | Mesna et al. | D8/367 |
| D377,896 S * | 2/1997 | Mesna et al. | D8/367 |
| 5,910,351 A * | 6/1999 | Davis et al. | 428/100 |
| D443,503 S * | 6/2001 | Harvey | D8/367 |
| D554,484 S * | 11/2007 | Dahlin | D8/367 |

* cited by examiner

1 Claim, 1 Drawing Sheet



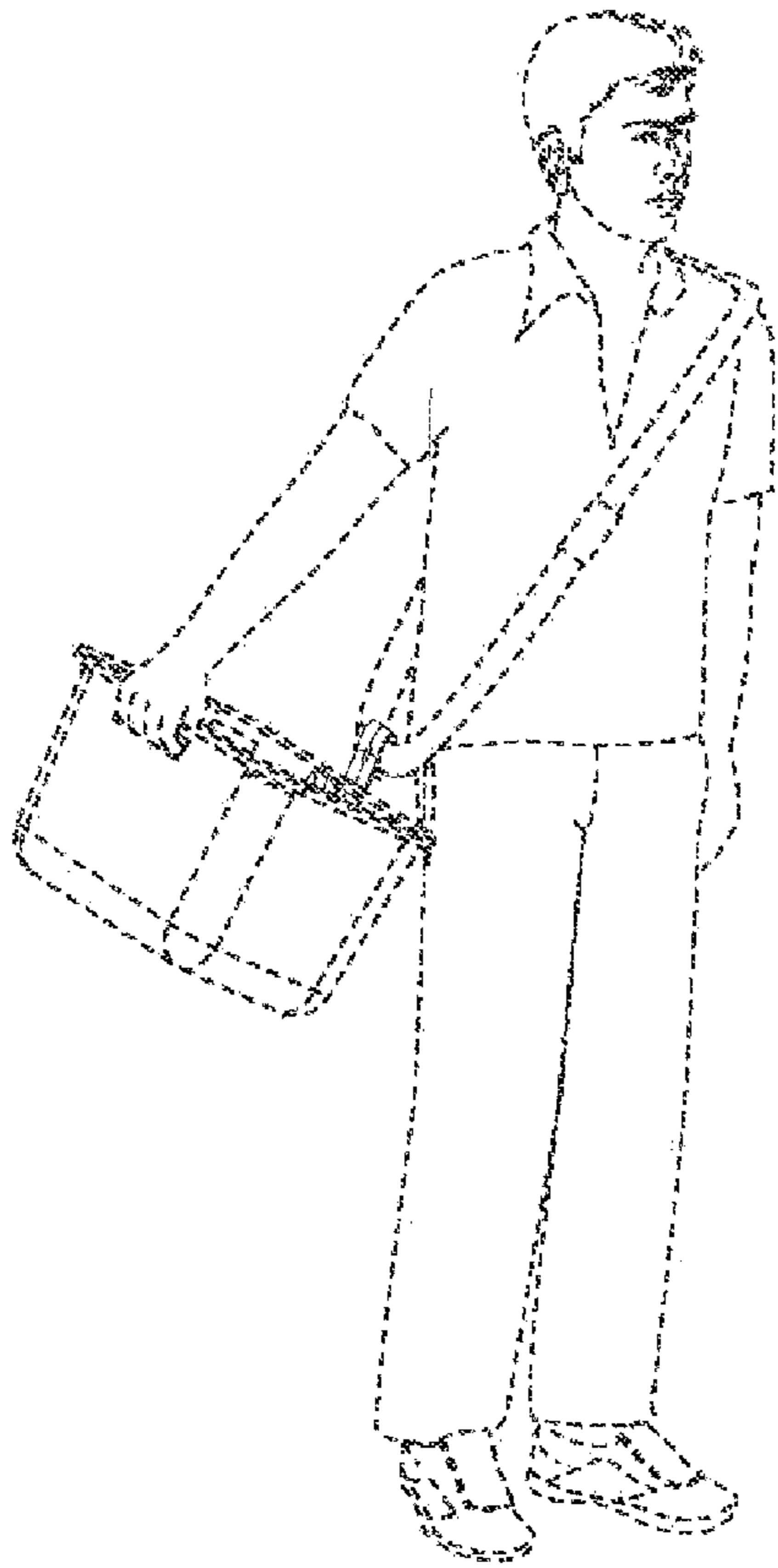


FIG. 1

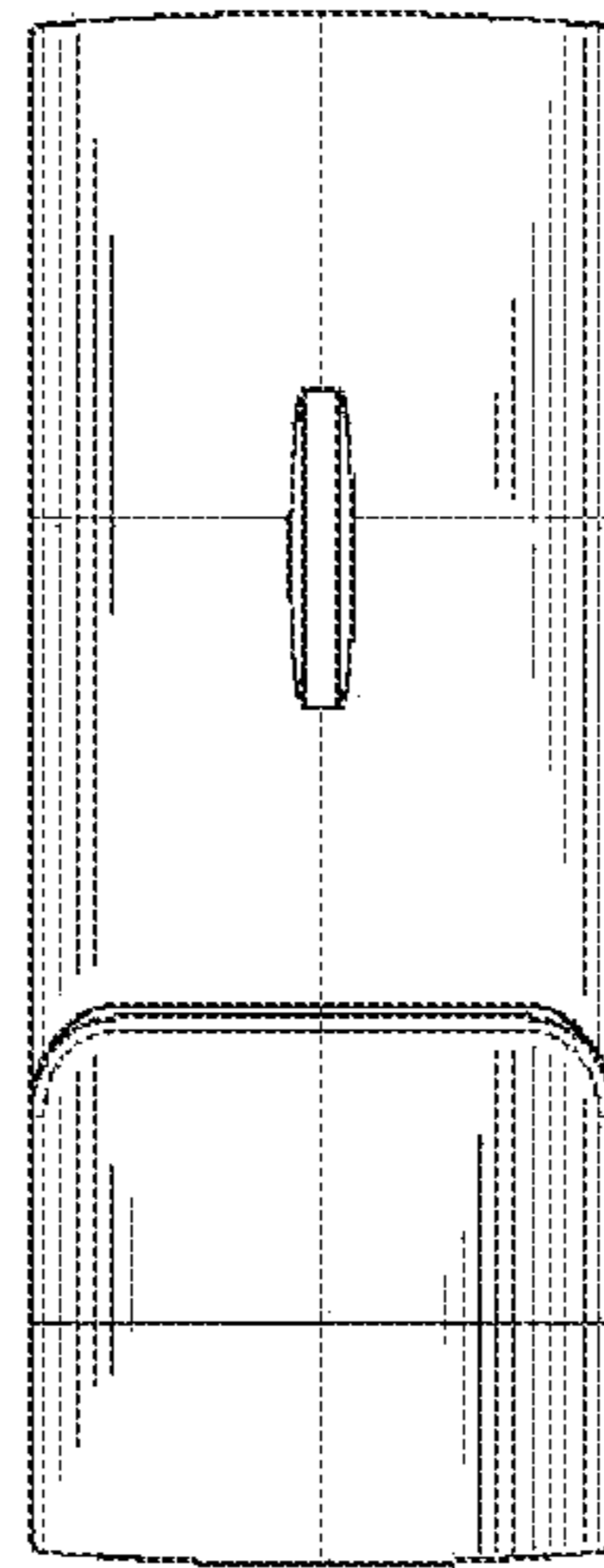


FIG. 2

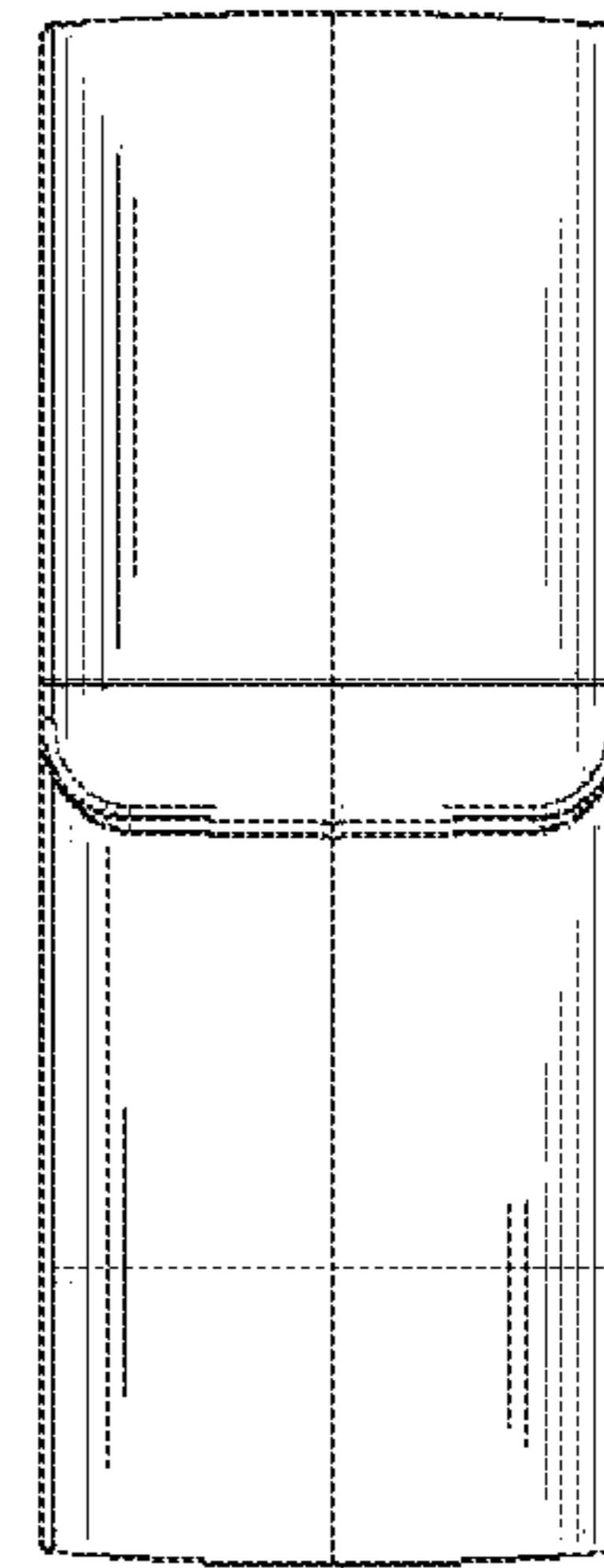


FIG. 3

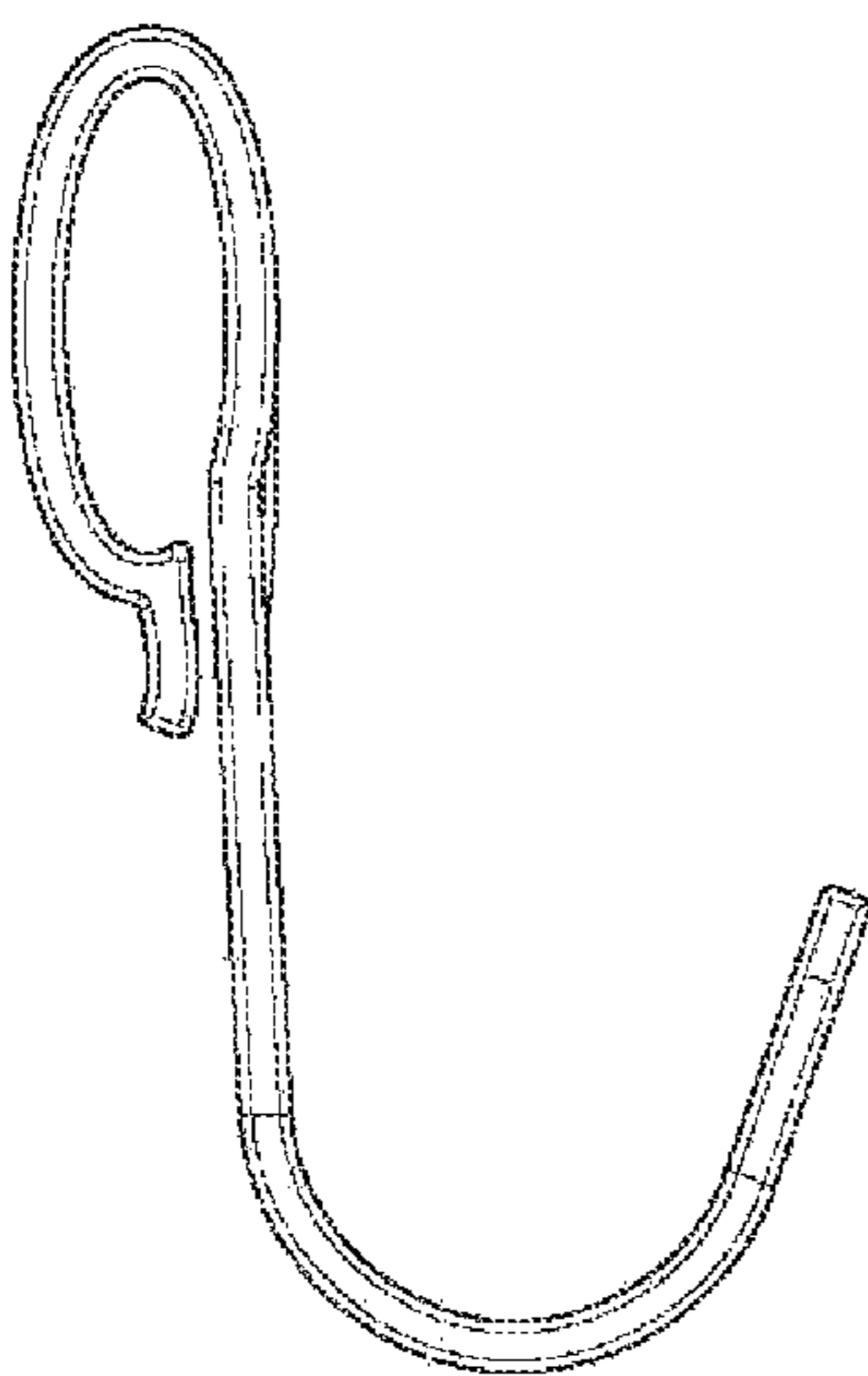


FIG. 4

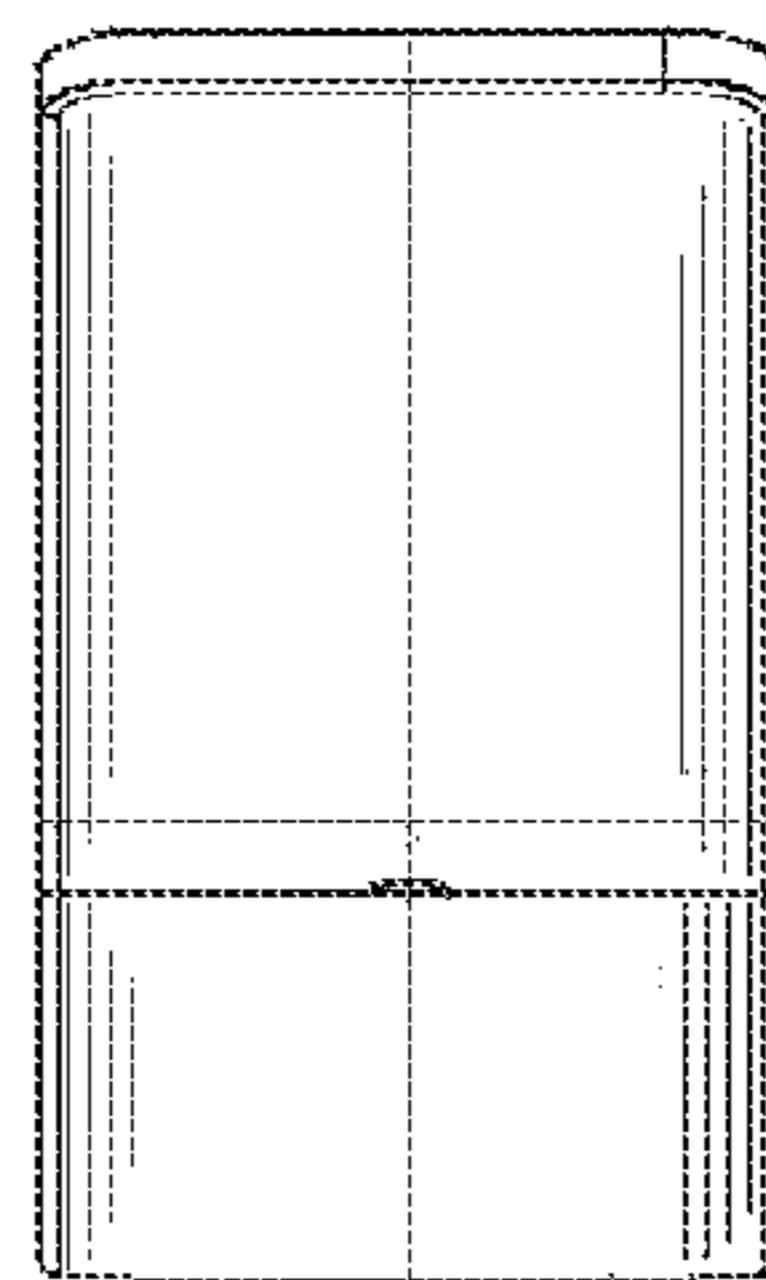


FIG. 5

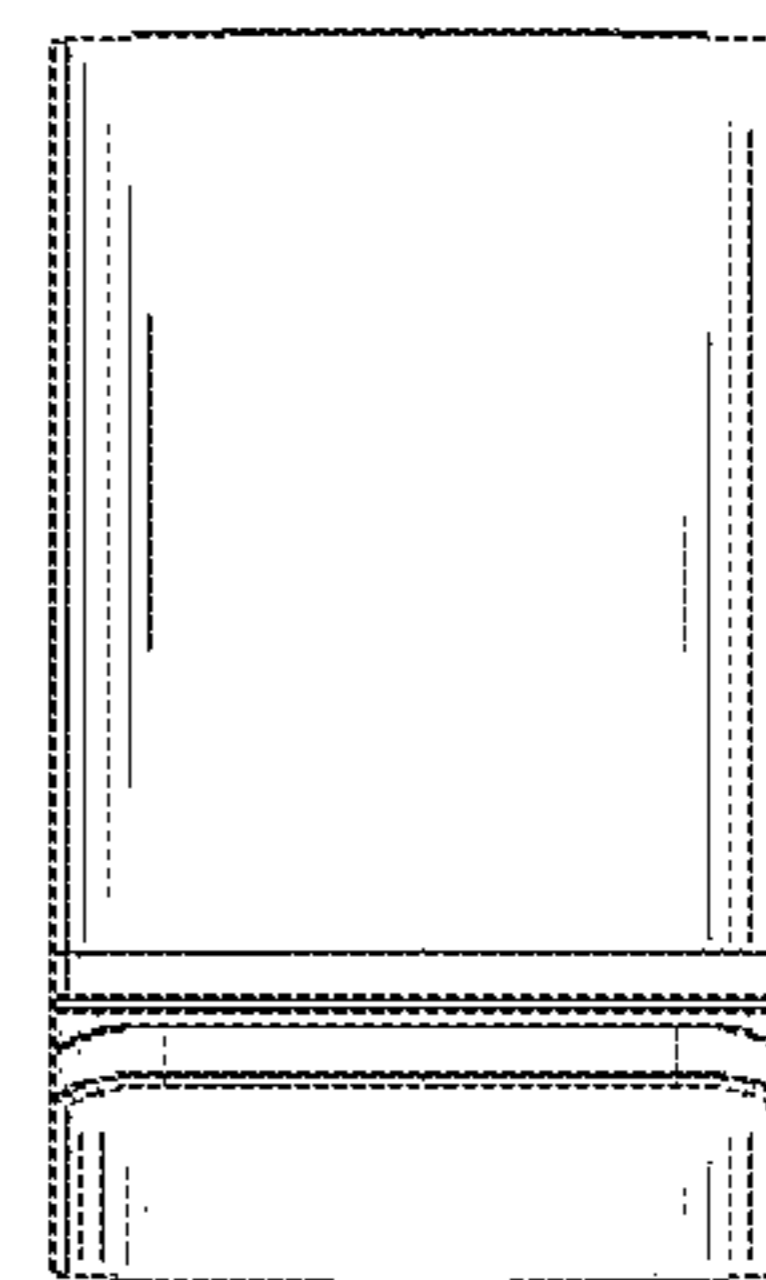


FIG. 6