



US00D597399S

(12) **United States Design Patent**
Draeger-Larkin

(10) **Patent No.:** **US D597,399 S**
(45) **Date of Patent:** **** Aug. 4, 2009**

(54) **ATTACHMENT LOOP**

(76) Inventor: **Karen Draeger-Larkin**, 810 Loma Vista St., El Segundo, CA (US) 90245

(**) Term: **14 Years**

(21) Appl. No.: **29/306,826**

(22) Filed: **Apr. 17, 2008**

(51) **LOC (9) Cl.** **08-05**

(52) **U.S. Cl.** **D8/356**

(58) **Field of Classification Search** D8/105,
D8/107, 333, 349, 354, 356, 358, 360, 360.1,
D8/367, 373, 382, 383, 394–396, 400; D13/153,
D13/154; 24/18, 115 R, 197, 561, 573.11,
24/581.12, 582.13, 583.1; 52/220.7; 174/66,
174/135, 153 G, 650, 656; 242/400.1, 405.1,
242/405.2, 600, 603; 248/65, 74.1–74.4,
248/201, 214, 215, 229.26; 439/92–108,
439/501, 535; 294/26, 82.19, 82.2; D11/200,
D11/201, 215; 182/5; D3/207

See application file for complete search history.

(56) **References Cited**

U.S. PATENT DOCUMENTS

805,674	A *	11/1905	Senderling	24/573.11
845,654	A *	2/1907	Layng	24/573.11
D54,961	S *	4/1920	Schuler	D8/382
D57,385	S *	3/1921	Schuler	D8/382
1,509,570	A *	9/1924	Sykes	59/95
3,968,669	A *	7/1976	Coleman	70/456 R
4,064,811	A *	12/1977	Copeland	410/102
4,333,562	A *	6/1982	Todd	206/37
D271,443	S *	11/1983	MacDonald	D3/207
D308,600	S *	6/1990	Wischnowsky	D3/207
D320,693	S *	10/1991	Stillwagon et al.	D3/207
5,058,405	A *	10/1991	Stillwagon	70/456 R
5,168,735	A *	12/1992	Wang	70/456 R
5,174,139	A *	12/1992	Huang	70/456 R
D352,821	S *	11/1994	Stillwagon	D3/207
D360,750	S *	8/1995	Stillwagon	D3/207
5,457,976	A *	10/1995	Stillwagon	70/456 R
D384,814	S *	10/1997	Romigialli	D3/318
5,775,664	A *	7/1998	Martin	248/500
D408,581	S *	4/1999	Barnes	D27/163
D411,036	S *	6/1999	Barnes	D3/208

5,954,288	A *	9/1999	Shih	242/380
D433,562	S *	11/2000	Redlinger	D3/208
D446,442	S *	8/2001	Simpson	D8/354
D463,105	S *	9/2002	Tsai	D3/207
6,471,438	B2 *	10/2002	Faris	403/291
6,679,616	B2 *	1/2004	Miller	362/189
6,848,288	B1 *	2/2005	Derman	70/459
D504,306	S *	4/2005	Chisolm	D8/356
D509,054	S *	9/2005	Shennib et al.	D3/203.1
7,007,882	B2 *	3/2006	Raia et al.	242/379
7,032,590	B2 *	4/2006	Loeffler et al.	128/200.24
D539,697	S *	4/2007	Mackay	D11/200
D563,004	S *	2/2008	Biglarians	D26/38

FOREIGN PATENT DOCUMENTS

CA 2322379 A1 * 4/2002

* cited by examiner

Primary Examiner—T. Chase Nelson

Assistant Examiner—Karen Acker

(74) *Attorney, Agent, or Firm*—Christopher Wood; Wood & Eisenberg, PLLC

(57) **CLAIM**

The ornamental design for an attachment loop, as shown and described.

DESCRIPTION

FIG. 1 is a perspective view of an Attachment Loop showing my new design in a condition of use;

FIG. 2 is a front right perspective view thereof;

FIG. 3 is a front elevational view thereof;

FIG. 4 is a rear elevational view thereof;

FIG. 5 is a top plan view thereof;

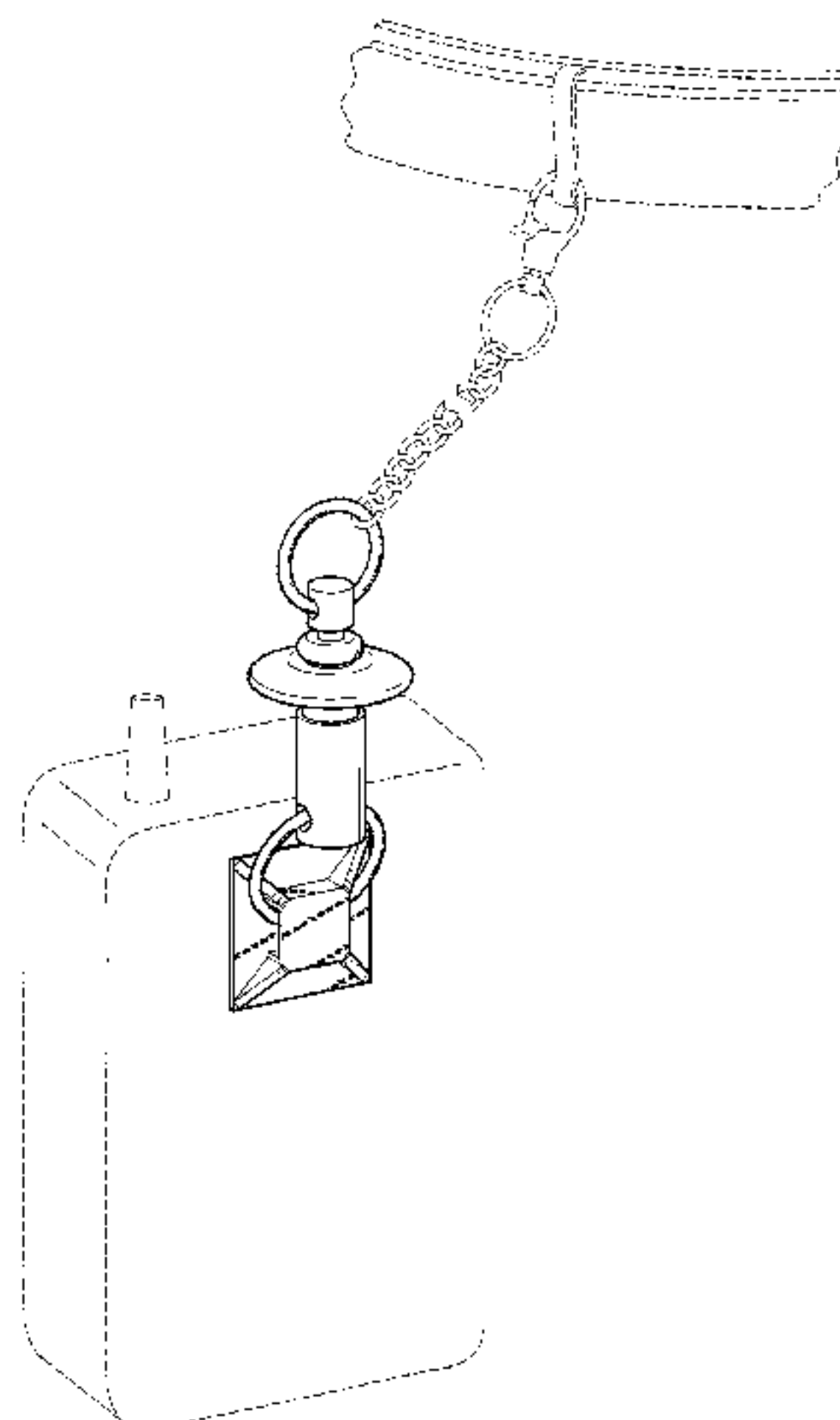
FIG. 6 is a bottom plan view thereof;

FIG. 7 is a right side view, the left side being a mirror image thereof; and,

FIG. 8 is a front right perspective, exploded view thereof.

The broken lines in FIG. 1 represent structures included to show the attachment loop in a condition of use and form no part of the claimed design. The broken lines in FIG. 8 represent unclaimed portions of the attachment loop.

1 Claim, 7 Drawing Sheets



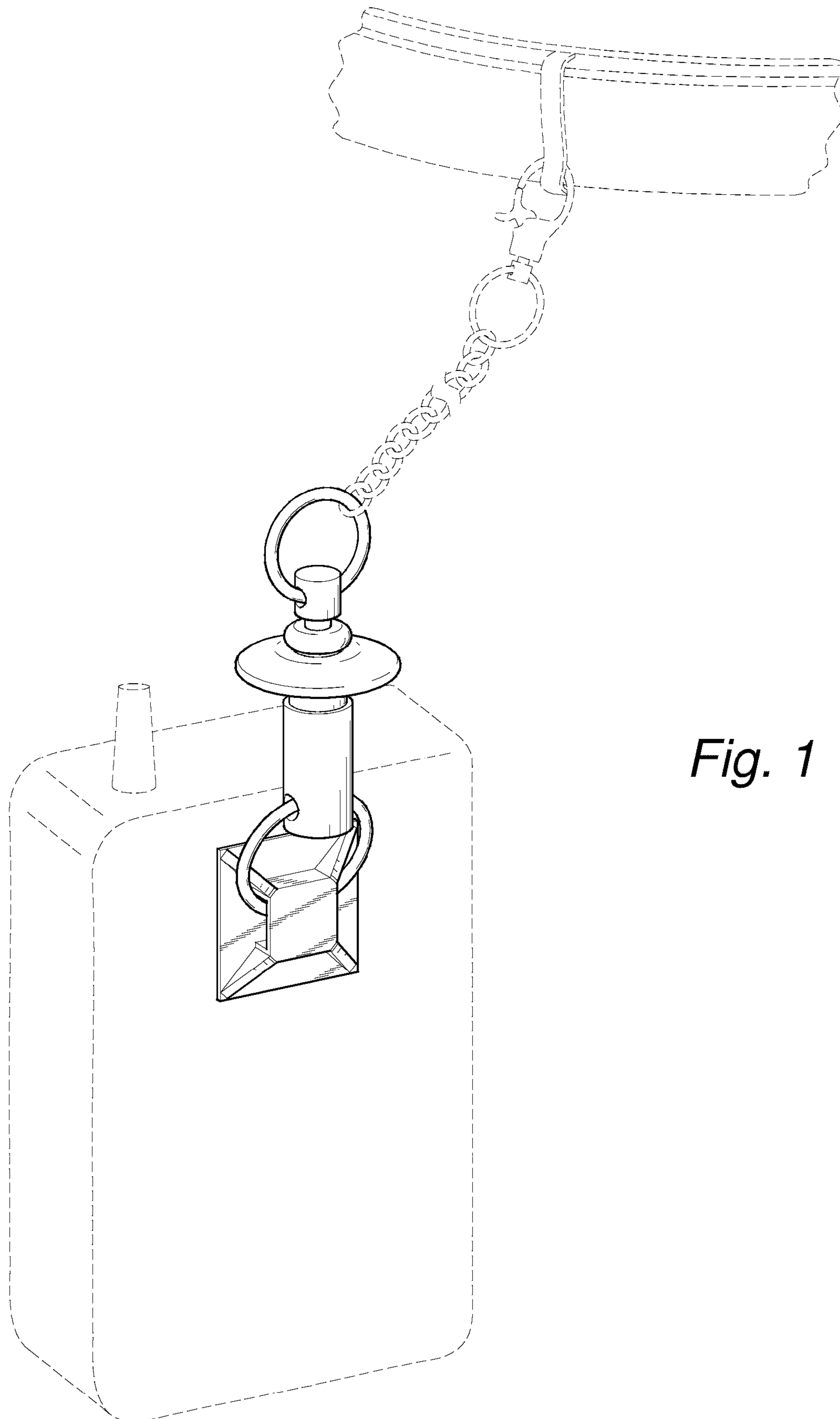


Fig. 1

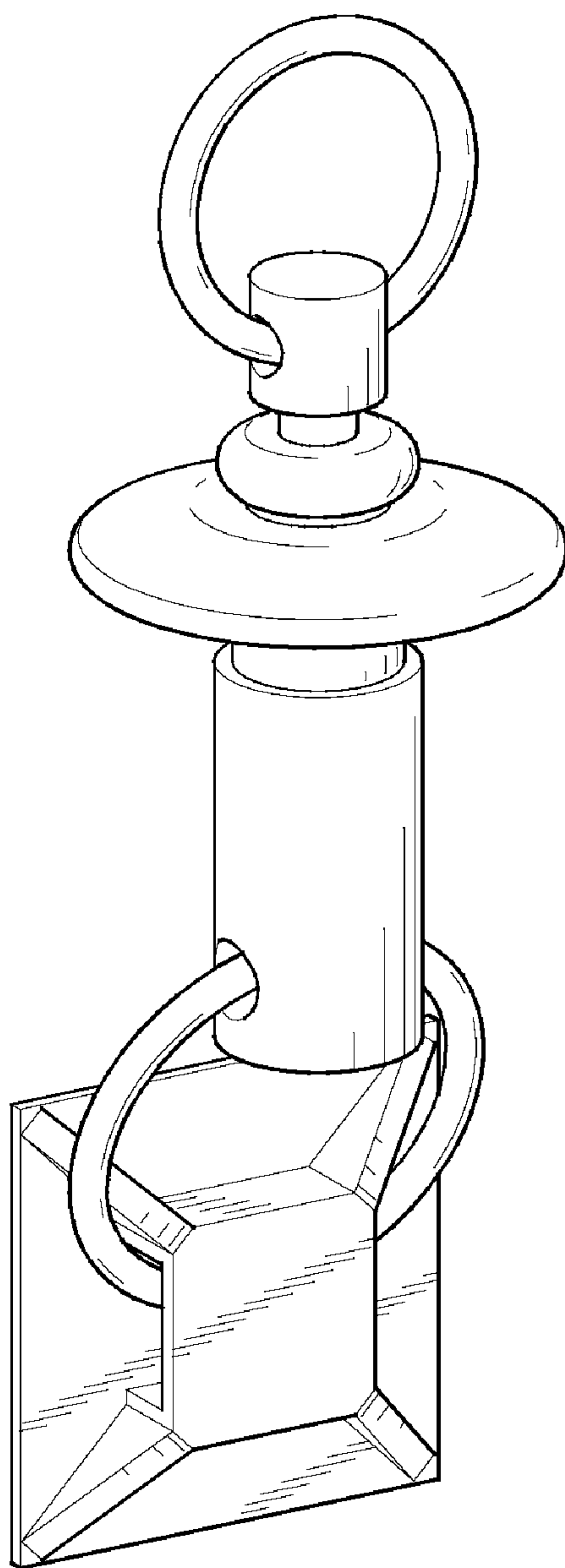


Fig. 2

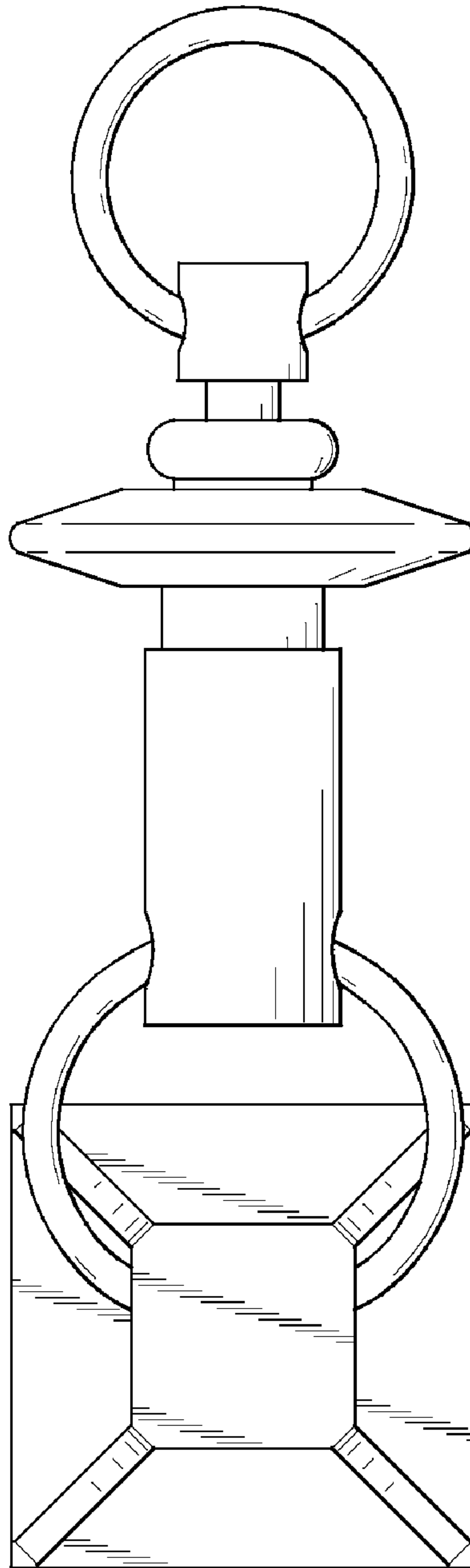


Fig. 3

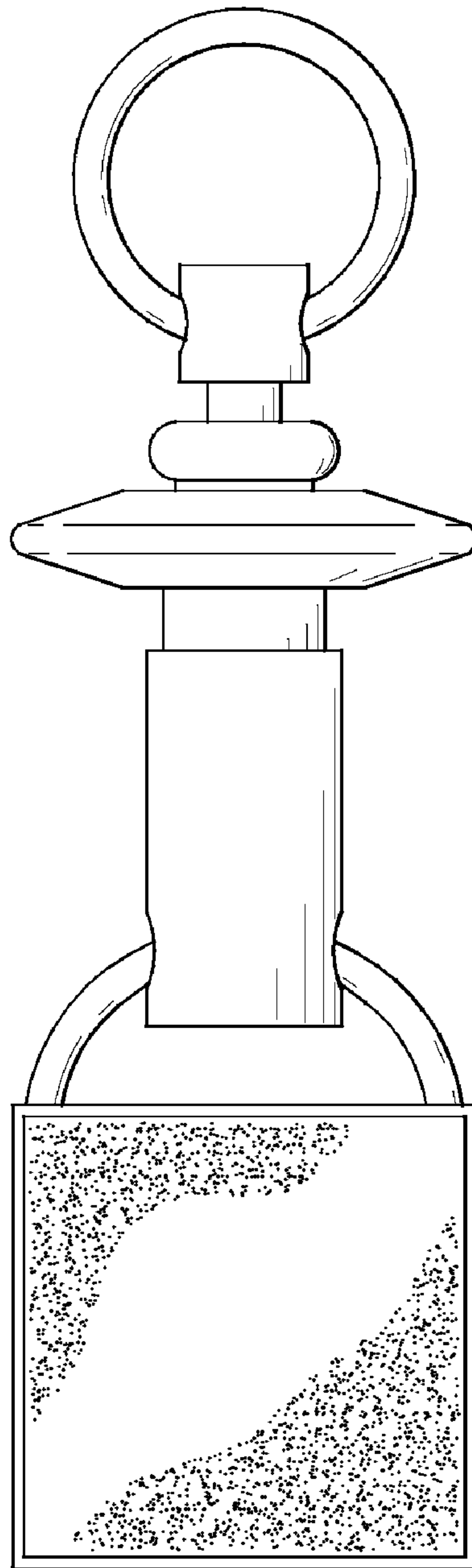


Fig. 4

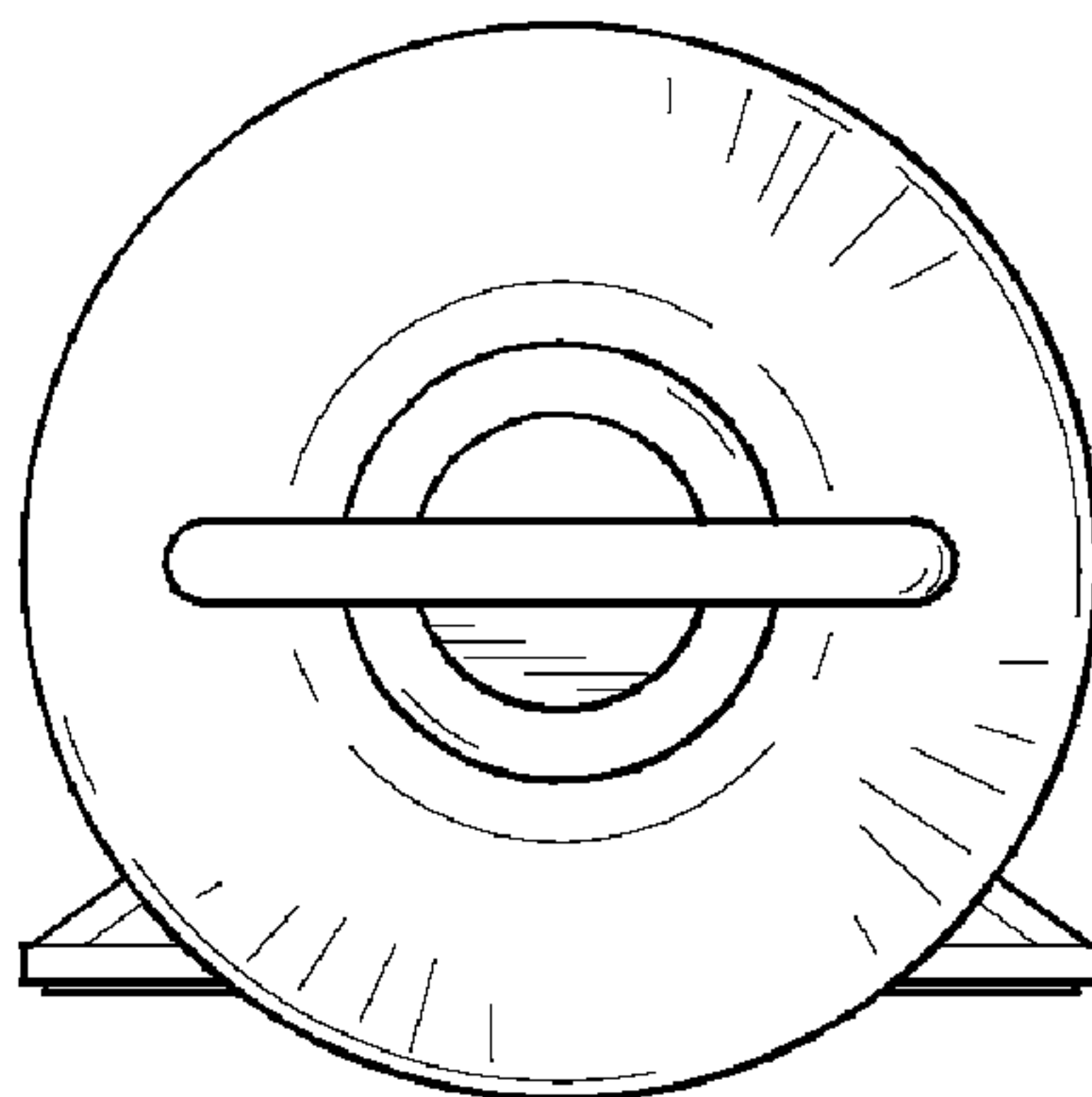


Fig. 5

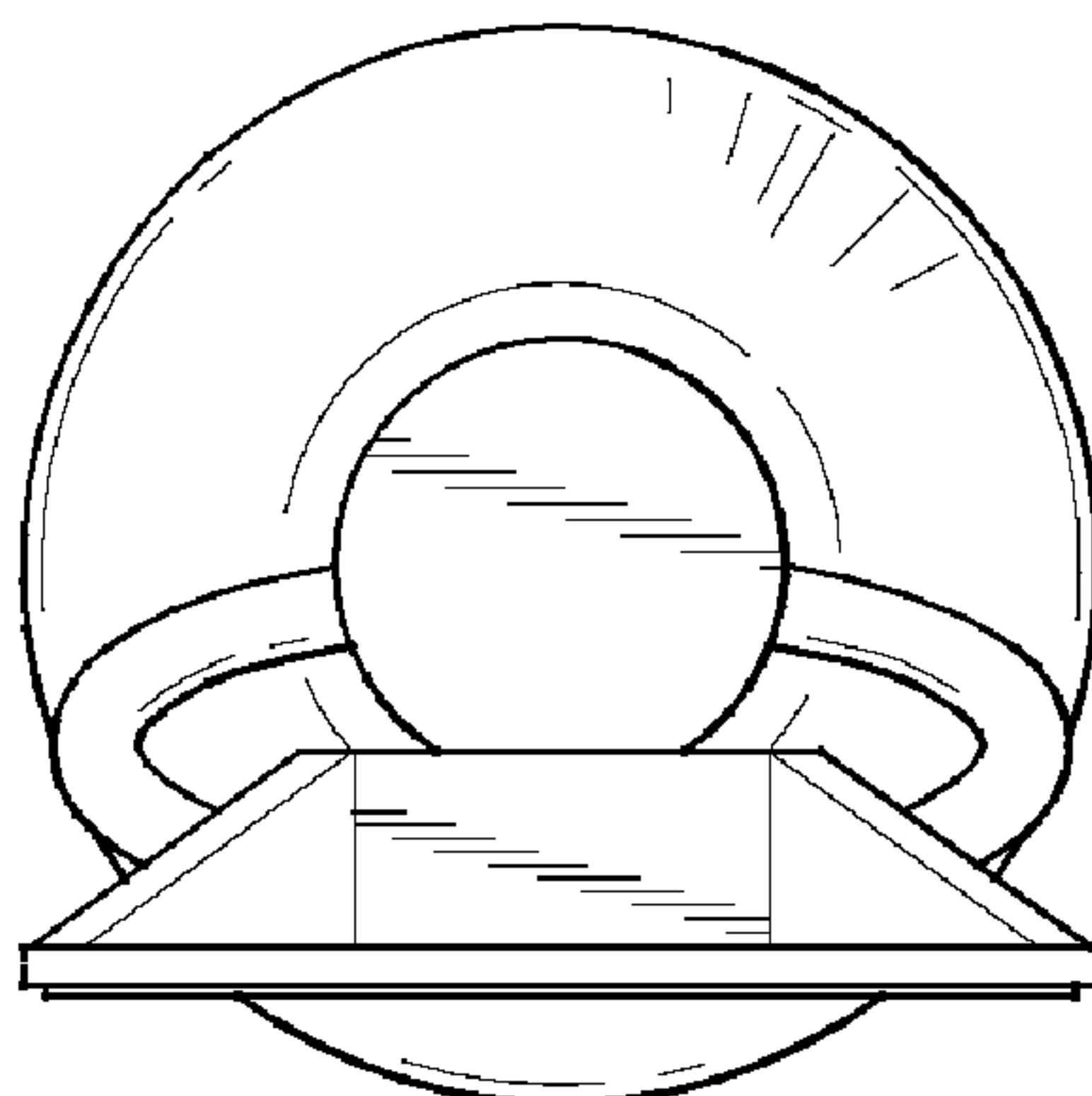


Fig. 6

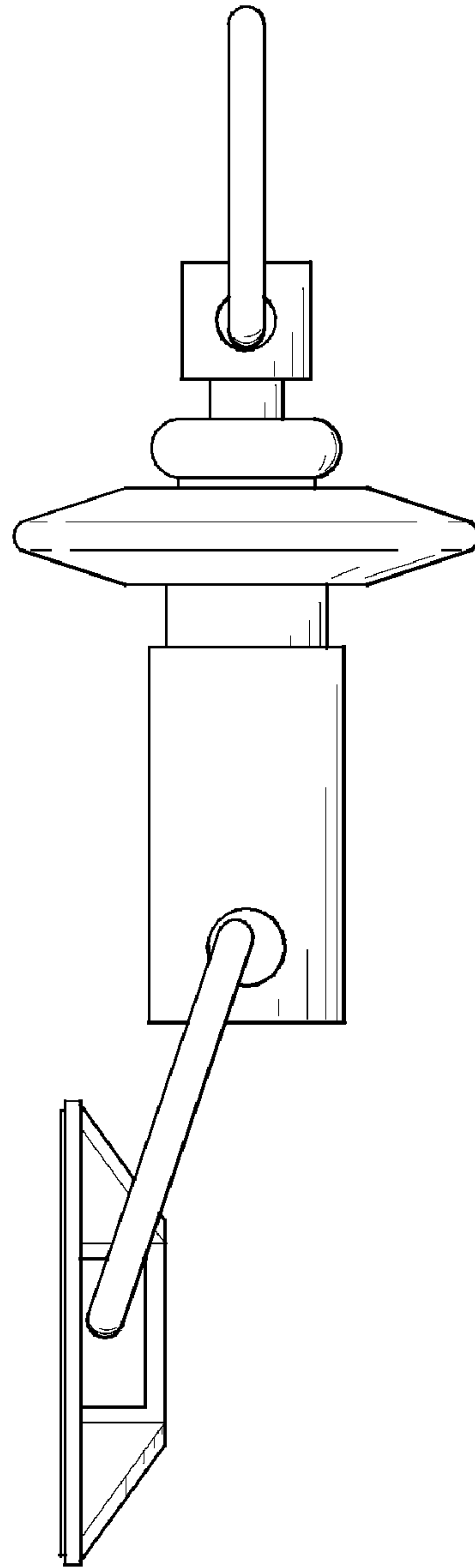


Fig. 7

Fig. 8

