



US00D597398S

(12) **United States Design Patent**
Jones et al.

(10) **Patent No.:** **US D597,398 S**

(45) **Date of Patent:** **** Aug. 4, 2009**

(54) **WINDOW LOCK HANDLE AND COVER**

D304,292 S 10/1989 Bobrowski

(75) Inventors: **Sherry L. Jones**, Pataskala, OH (US);
Brian Dallmann, Owatonna, MN (US)

(Continued)

(73) Assignee: **Truth Hardware Corporation**,
Owatonna, MN (US)

Primary Examiner—Prabhakar Deshmukh

(**) Term: **14 Years**

(74) *Attorney, Agent, or Firm*—Patterson, Thunte, Skaar &
Christensen PA

(21) Appl. No.: **29/323,044**

(57) **CLAIM**

(22) Filed: **Aug. 15, 2008**

The ornamental design for a window lock handle and cover,
as shown and described.

(51) **LOC (9) Cl.** **08-07**

(52) **U.S. Cl.** **D8/337; D8/331**

(58) **Field of Classification Search** D8/330,
D8/331, 301, 302, 306, 309, 400, 337, 338;
70/208, 369, 371, 421; 292/336.3, DIG. 30,
292/DIG. 31; 49/149, 159, 161, 175, 176
See application file for complete search history.

DESCRIPTION

(56) **References Cited**

U.S. PATENT DOCUMENTS

D185,254 S	5/1959	Ahlgren	
2,997,323 A	8/1961	Riser	
3,135,542 A	6/1964	Wilkinson	
D209,901 S	1/1968	Fredericksen	
D215,080 S	9/1969	Ahlgren	
3,811,718 A	5/1974	Bates	
4,095,827 A	6/1978	Stavenau	
4,095,829 A	6/1978	Van Klompenburg	
D248,617 S	7/1978	Cavalucci	
4,102,546 A	7/1978	Costello	
D249,120 S	8/1978	Jerila	
4,223,930 A	9/1980	Costello et al.	
4,235,465 A	11/1980	Costello	
D268,643 S	4/1983	Anderson	
4,429,910 A	2/1984	Anderson	
D293,548 S	1/1988	Bates et al.	
4,736,972 A	4/1988	Mosch	
D295,948 S	5/1988	Mandell	
D296,982 S	8/1988	White et al.	
4,801,164 A *	1/1989	Mosch	292/204
D302,651 S	8/1989	Mosch	

FIG. 1 is a perspective view of a window lock handle and cover showing our new design, shown in its environmental use;

FIG. 2 is a top plan view of the window lock handle and cover depicted in FIG. 1;

FIG. 3 is a bottom plan view of the window lock handle and cover depicted in FIG. 1;

FIG. 4 is a rear elevation view of the window lock handle and cover depicted in FIG. 1;

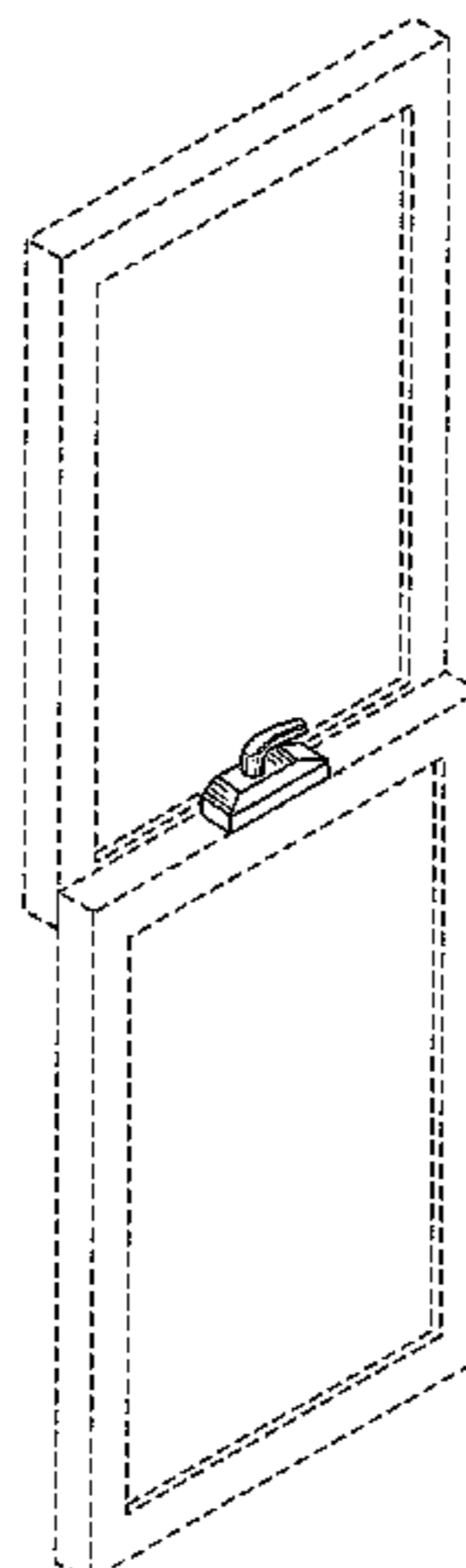
FIG. 5 is a front elevation view of the window lock handle and cover depicted in FIG. 1;

FIG. 6 is a side elevation view of the window lock handle and cover depicted in FIG. 1; and,

FIG. 7 is an opposing side elevation view of the window lock handle and cover depicted in FIG. 1.

The broken lines are included for the purpose of illustration and form no part of the claimed design. The broken lines immediately adjacent to the shaded areas represent the boundaries of the claimed design. None of the broken lines form part of the claimed design.

1 Claim, 2 Drawing Sheets



US D597,398 S

Page 2

U.S. PATENT DOCUMENTS

D316,509 S	4/1991	Nolte		D527,613 S	9/2006	Omangi et al.
5,087,087 A *	2/1992	Vetter et al.	292/48	7,159,908 B2	1/2007	Liang
5,219,193 A *	6/1993	Piltingsrud	292/240	D536,634 S	2/2007	Cornfield
D350,275 S	9/1994	Olsen et al.		D539,634 S	4/2007	Tanaka et al.
D366,409 S	1/1996	Delaske		D539,950 S	4/2007	Okumura
5,492,377 A	2/1996	Guelck		D546,166 S	7/2007	Liang
D369,290 S	4/1996	Subliskey		D550,060 S	9/2007	Wilfer
D369,741 S	5/1996	Harrison et al.		D553,947 S	10/2007	Flory
D371,502 S	7/1996	Morris		D553,950 S	10/2007	Flory
5,582,445 A	12/1996	Olsen et al.		D554,473 S	11/2007	Flory
RE35,463 E	2/1997	Vetter et al.		D554,971 S	11/2007	Flory
D380,957 S	7/1997	Evans et al.		D554,973 S	11/2007	Flory
D382,191 S	8/1997	Plummer		7,296,831 B2	11/2007	Generowicz et al.
D382,192 S	8/1997	Plummer		D560,112 S	1/2008	Baczuk et al.
D388,689 S	1/1998	Bauman et al.		7,322,620 B1	1/2008	Lawrence
5,741,032 A	4/1998	Chaput		D562,109 S	2/2008	Liang
D396,398 S	7/1998	Anderson et al.		D567,063 S	4/2008	Farrell
5,839,767 A	11/1998	Piltingsrud		D569,222 S	5/2008	Lee
D408,263 S	4/1999	Briggs		D569,223 S	5/2008	Zhang
D418,737 S	1/2000	Libby et al.		D569,708 S *	5/2008	Wolf D8/337
6,116,665 A	9/2000	Subliskey		D575,627 S	8/2008	Flory
D432,900 S	10/2000	Frey		D578,865 S	10/2008	Zhang
D439,822 S	4/2001	Webber et al.		2001/0005995 A1	7/2001	Subliskey
D442,058 S	5/2001	Miller et al.		2001/0038210 A1	11/2001	Subliskey
D444,372 S	7/2001	Segawa		2003/0057717 A1	3/2003	Murphy et al.
D451,781 S	12/2001	Vande Steeg et al.		2003/0151262 A1	8/2003	Murphy et al.
6,347,820 B2	2/2002	Subliskey		2003/0155777 A1	8/2003	Eslick et al.
D471,756 S	3/2003	Joosten		2004/0026932 A1	2/2004	Coleman et al.
6,568,723 B2	5/2003	Murphy et al.		2004/0262929 A1	12/2004	Trickel
6,634,683 B1	10/2003	Brannan		2005/0218658 A1	10/2005	Lawrence
D481,933 S	11/2003	Smith et al.		2006/0192391 A1	8/2006	Pettit et al.
D495,582 S	9/2004	Richardson et al.		2007/0029810 A1	2/2007	Nolte et al.
6,871,886 B2	3/2005	Coleman et al.		2007/0085350 A1	4/2007	Liang et al.
6,973,963 B2	12/2005	Dunne et al.		2007/0181770 A1	8/2007	Drage
D515,396 S	2/2006	Boosey et al.		2007/0200363 A1	8/2007	Eenigenburg et al.
D515,400 S	2/2006	Tozer		2007/0209281 A1	9/2007	Flory et al.
7,000,957 B2 *	2/2006	Lawrence	292/241	2007/0289220 A1	12/2007	Vilhauer
7,017,957 B2	3/2006	Murphy et al.		2008/0163551 A1	7/2008	Nolte et al.
D520,855 S	5/2006	Osiecki et al.		2008/0246287 A1	10/2008	Satram et al.
D522,837 S *	6/2006	Vetter et al.	D8/306			

* cited by examiner

Fig. 1

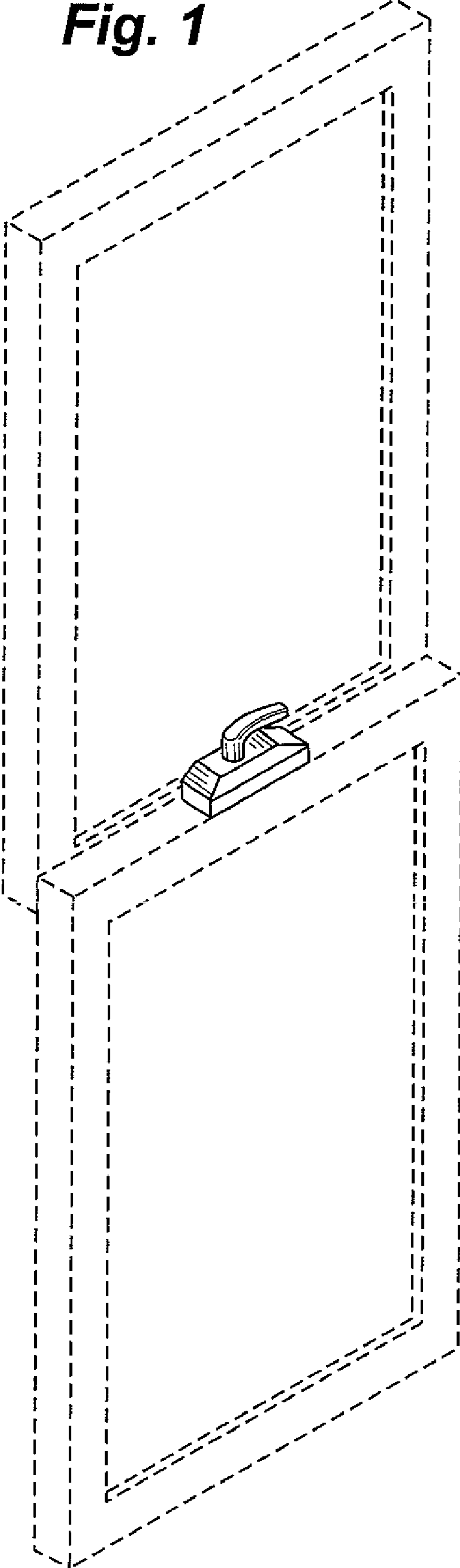


Fig. 2

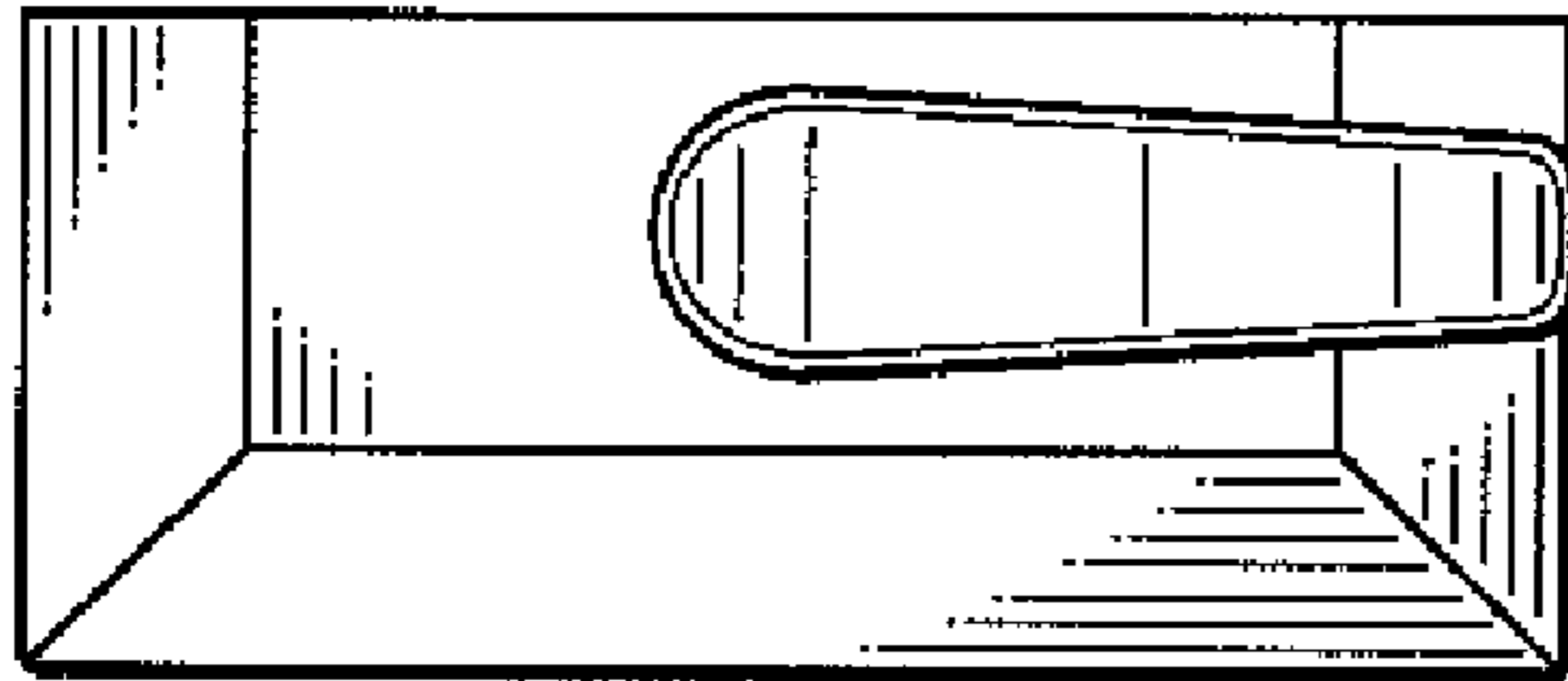


Fig. 3



Fig. 4

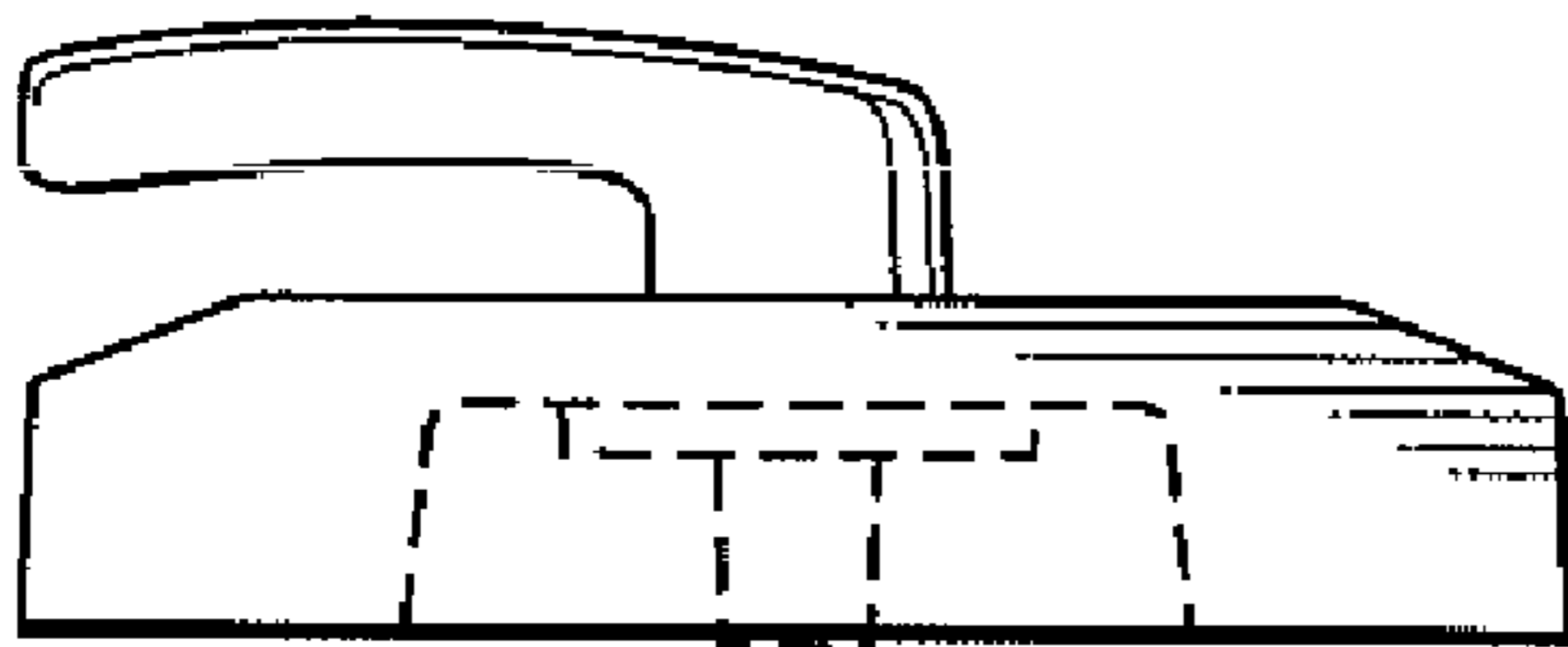


Fig. 5

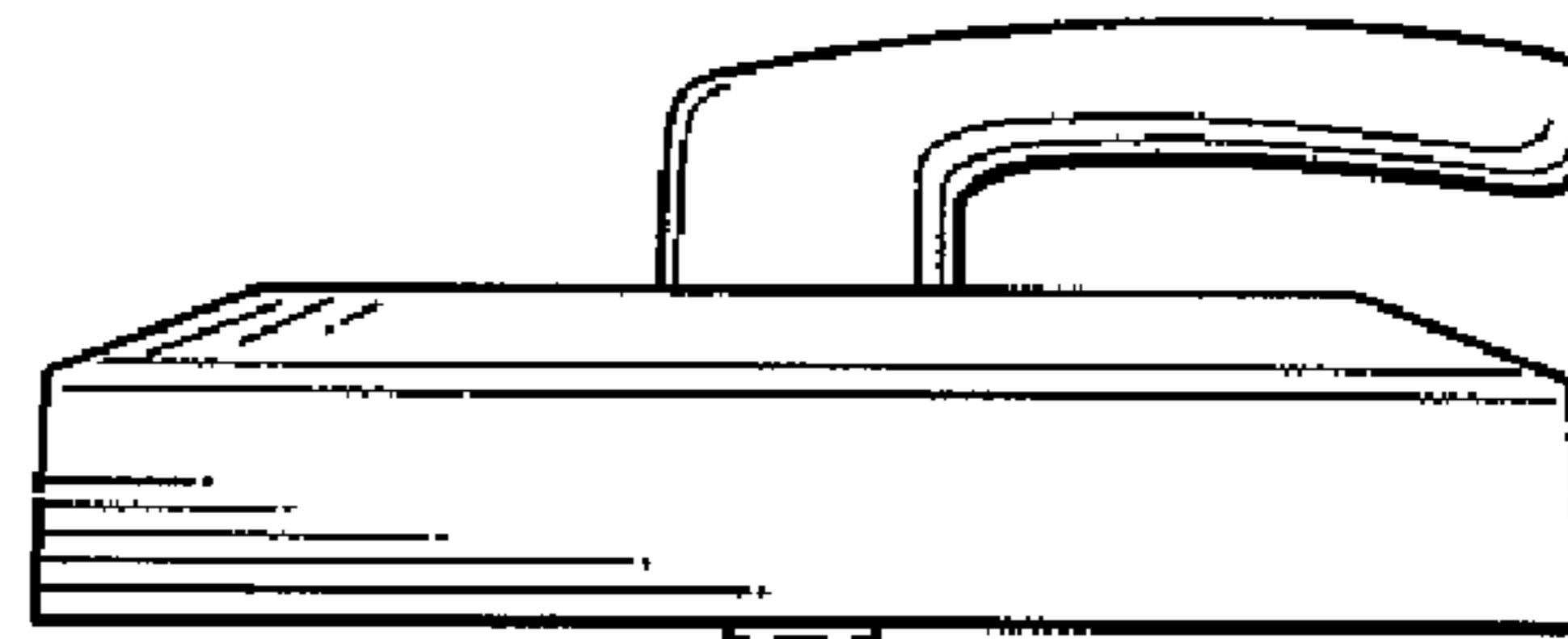


Fig. 6

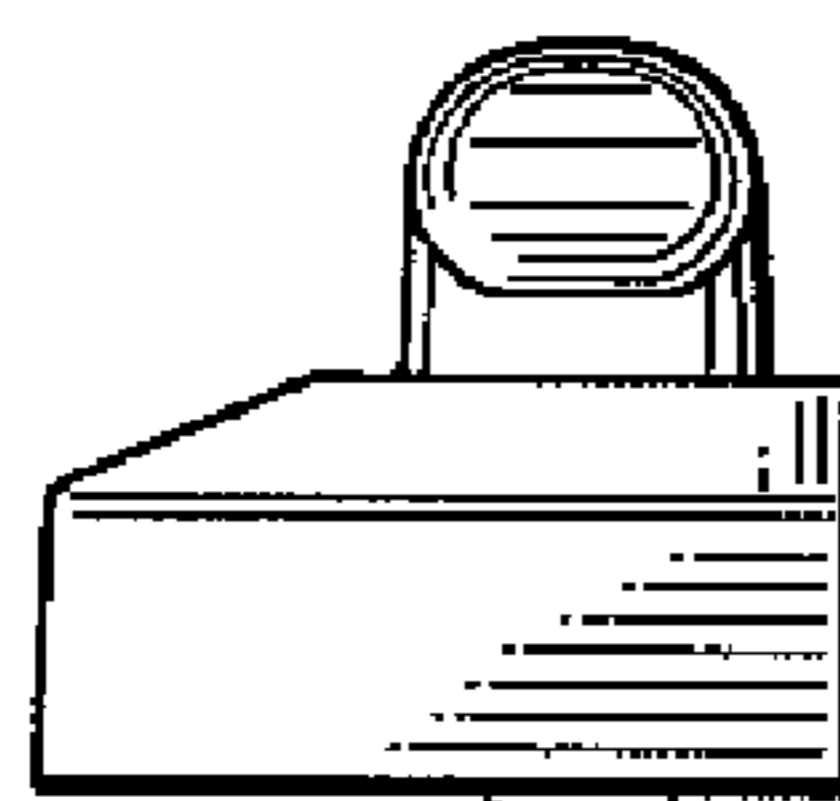


Fig. 7

