

US00D597397S

(12) **United States Design Patent**
Nazzari

(10) **Patent No.:** **US D597,397 S**

(45) **Date of Patent:** **** Aug. 4, 2009**

(54) **TAMPER RESISTANT SECURITY LOCK**

(75) Inventor: **Ian Nazzari**, Moraga, CA (US)

(73) Assignee: **NIC Products Inc.**, Walnut Creek, CA (US)

(**) Term: **14 Years**

(21) Appl. No.: **29/324,582**

(22) Filed: **Sep. 16, 2008**

(51) **LOC (9) Cl.** **08-07**

(52) **U.S. Cl.** **D8/330; D9/343**

(58) **Field of Classification Search** D8/330,
D8/331, 332, 336, 339, 340, 343, 346, 382,
D8/383; 70/14, 18, 20, 30, 38 R, 39, 38 A,
70/51, 57, 57.1, 431, 465, 233, 49, 31, 345,
70/346; 292/307 A, 318-322

See application file for complete search history.

(56) **References Cited**

U.S. PATENT DOCUMENTS

3,367,701	A *	2/1968	Wenk, Jr.	292/321
3,712,655	A *	1/1973	Fuehrer	292/321
3,841,118	A *	10/1974	Stone	70/33
3,987,653	A *	10/1976	Lyon et al.	70/19
4,502,305	A *	3/1985	Bakker	70/49
5,782,513	A *	7/1998	Nazzari	292/319

D436,015	S *	1/2001	Yu	D8/333
6,227,016	B1 *	5/2001	Yu	70/30
6,283,517	B1 *	9/2001	Nazzari	292/321
D450,560	S *	11/2001	Yu	D8/333
6,389,854	B1 *	5/2002	Huang	70/58
D540,149	S *	4/2007	Tollefson	D8/330
D556,012	S *	11/2007	Tollefson	D8/330

* cited by examiner

Primary Examiner—Prabhakar Deshmukh

(74) *Attorney, Agent, or Firm*—Bacon & Thomas, PLLC

(57) **CLAIM**

The ornamental design for a tamper resistant security lock, as shown and described.

DESCRIPTION

FIG. 1 is a perspective view of a tamper resistant security lock showing my new design;

FIG. 2 is a front elevational view thereof;

FIG. 3 is a right side elevational view thereof;

FIG. 4 is a top plan view thereof;

FIG. 5 is a rear elevational view thereof;

FIG. 6 is a left side elevational view thereof; and,

FIG. 7 is a bottom plan view thereof.

1 Claim, 2 Drawing Sheets

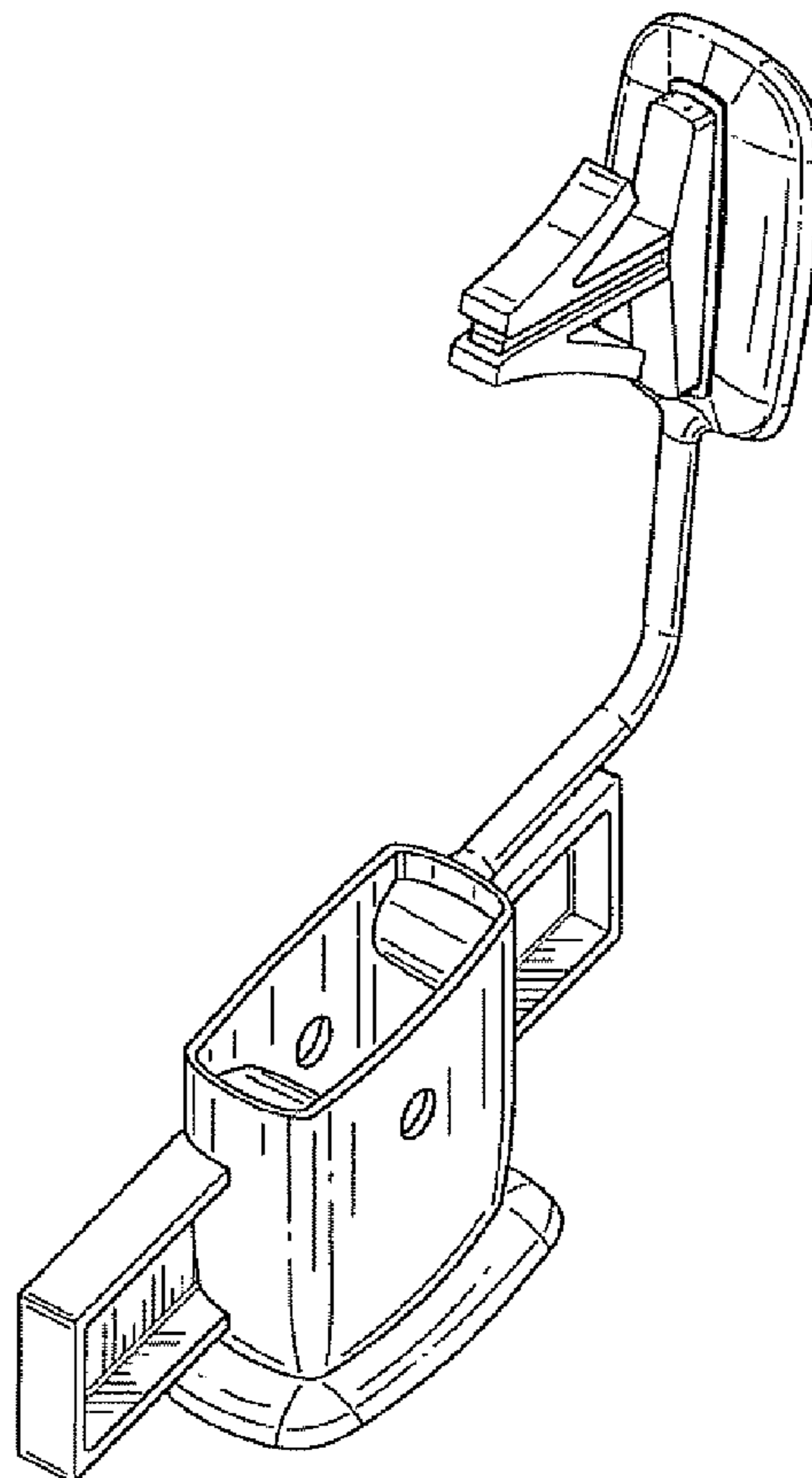


FIG. 1

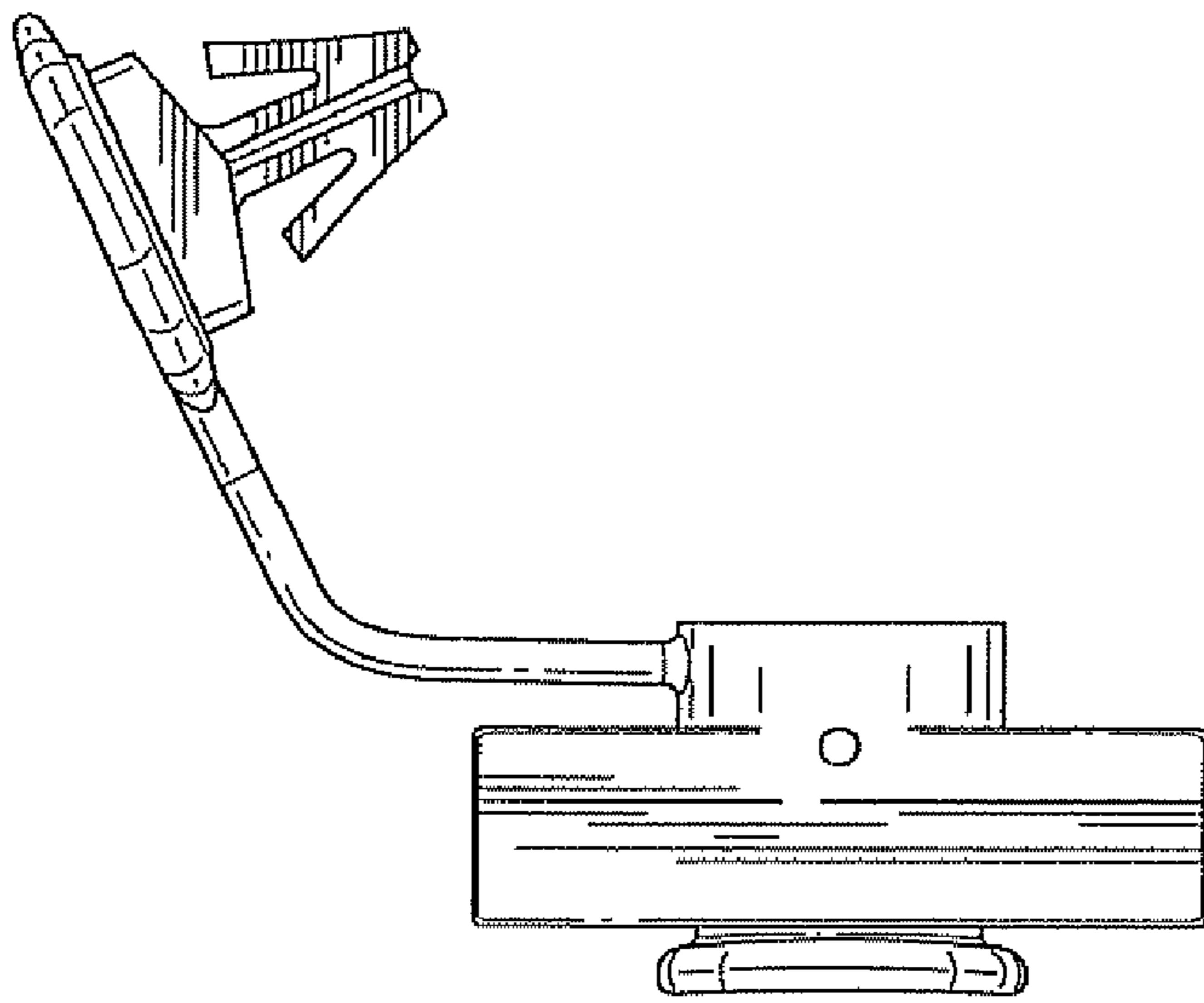
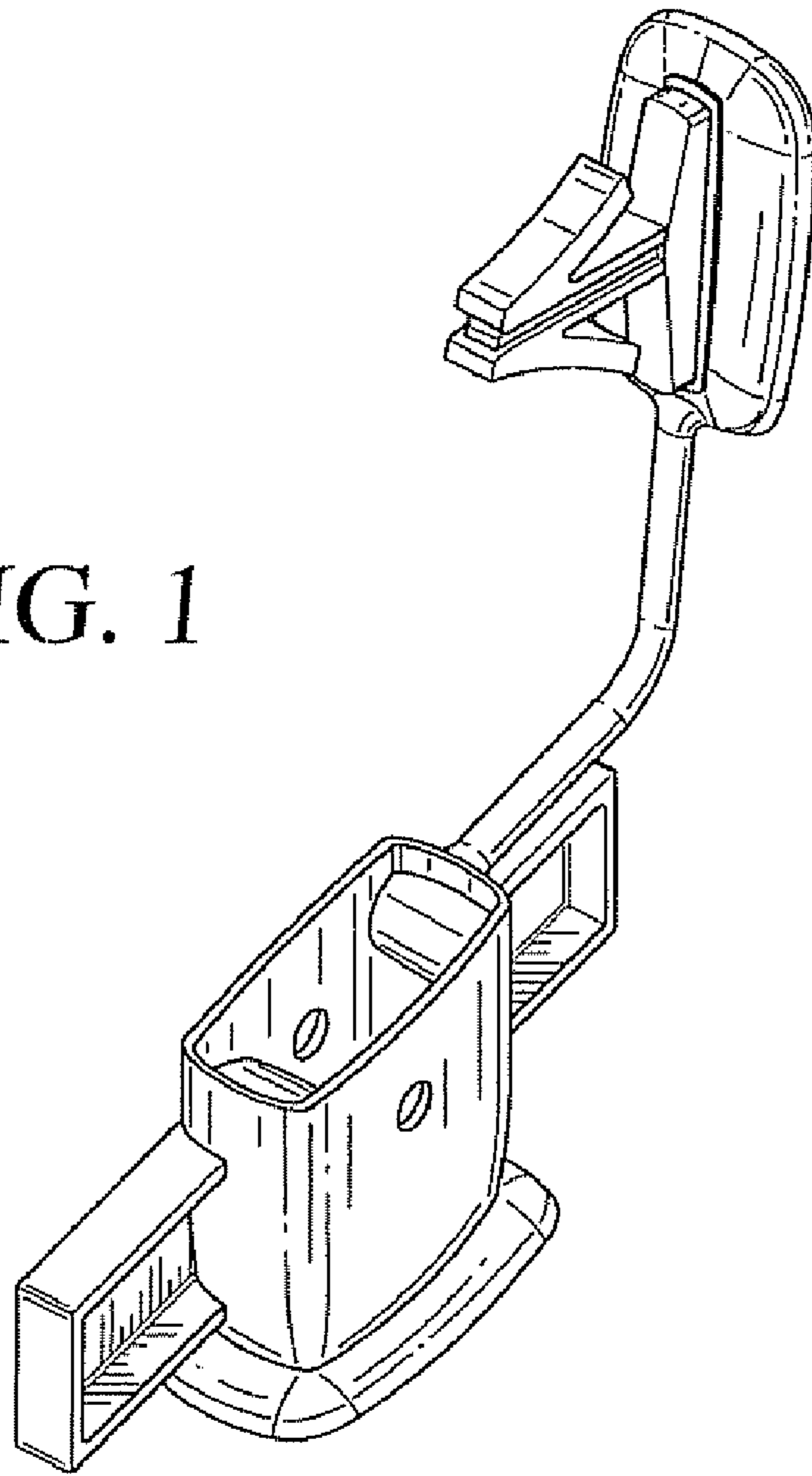


FIG. 2

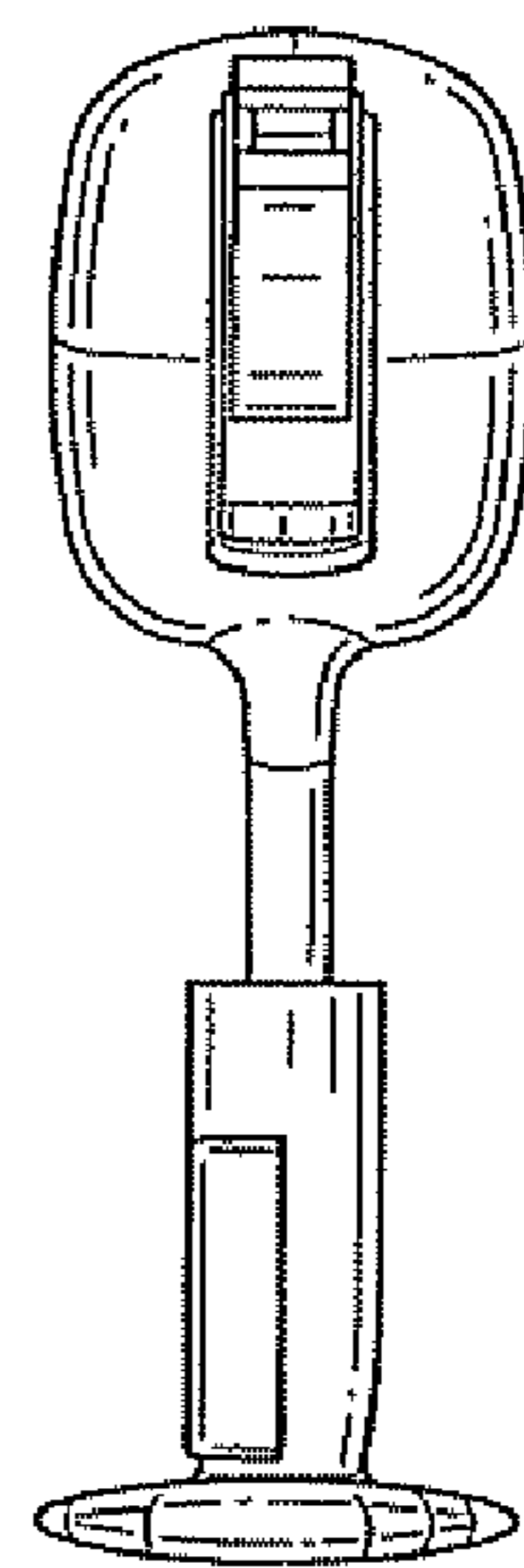


FIG. 3

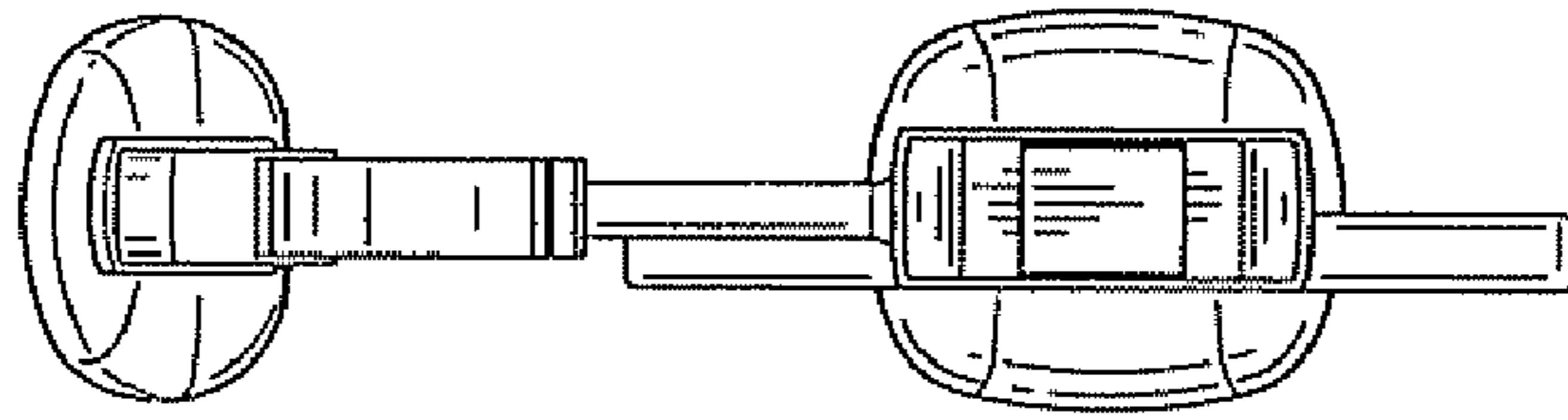


FIG. 4

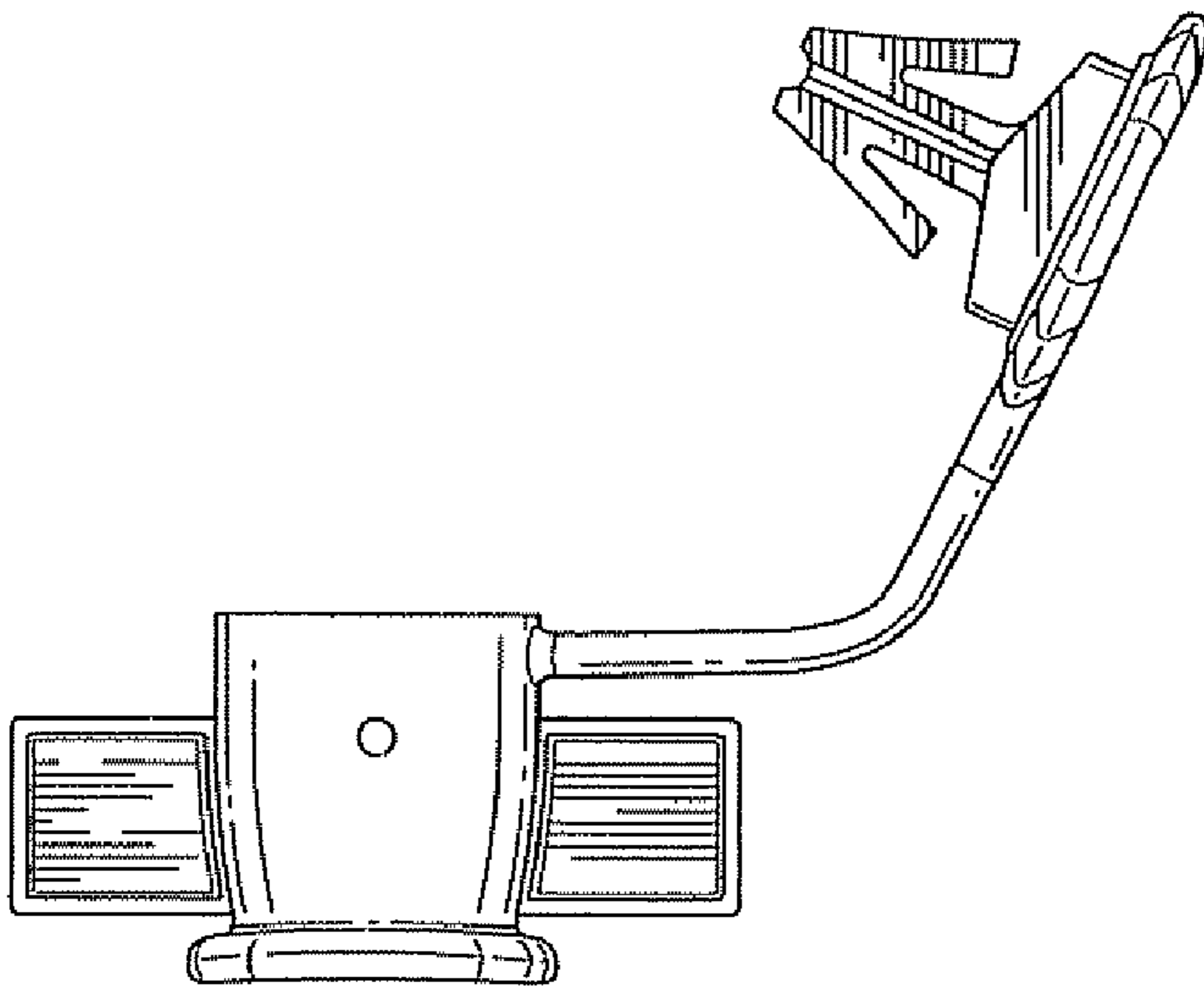


FIG. 5

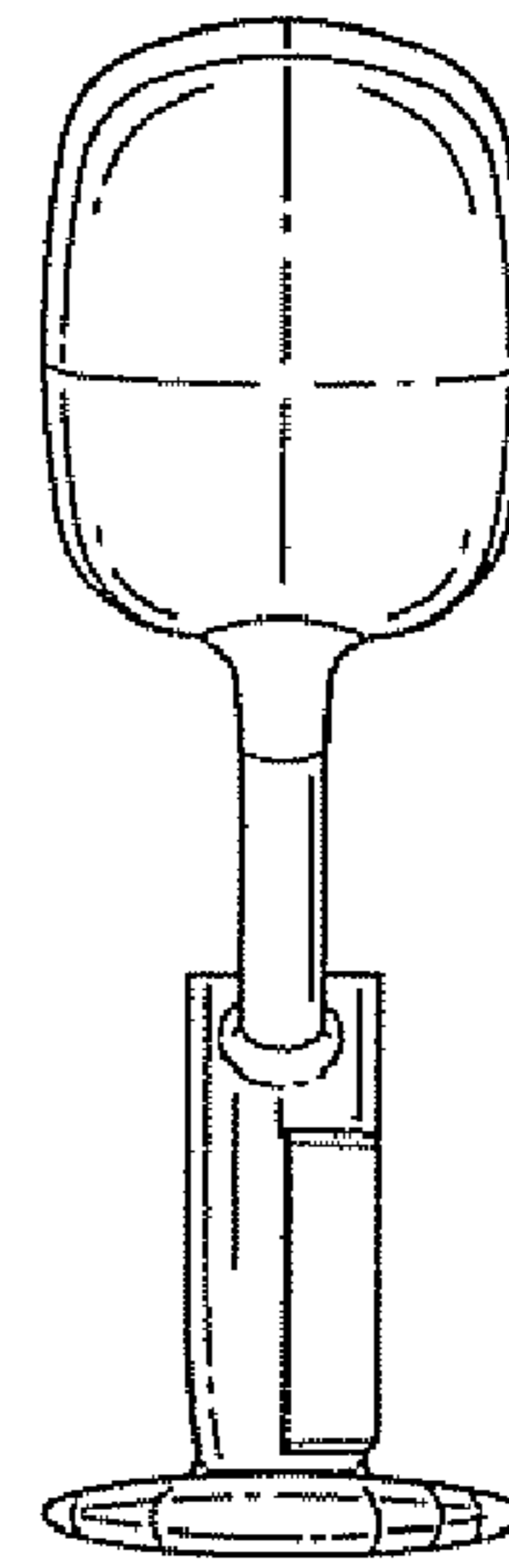


FIG. 6

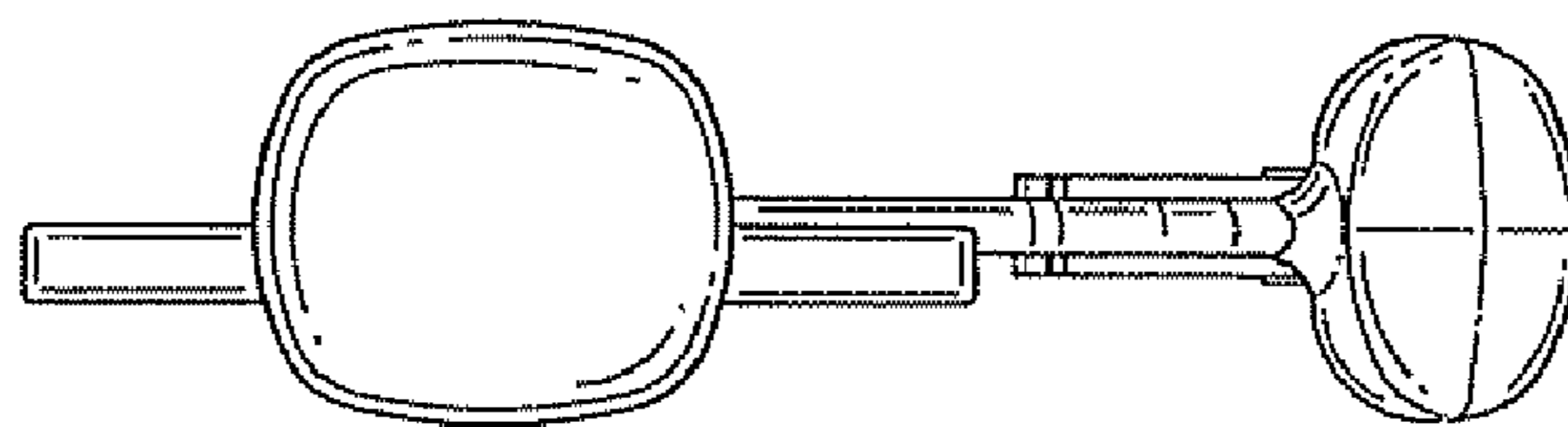


FIG. 7