

US00D597395S

(12) **United States Design Patent**  
**Martineau**

(10) **Patent No.:** **US D597,395 S**

(45) **Date of Patent:** **\*\* Aug. 4, 2009**

(54) **COOL TOUCH HANDLE**

(75) Inventor: **Louis Martineau**, St Nicolas (CA)

(73) Assignee: **STERIS Inc.**, Temecula, CA (US)

(\*\*) Term: **14 Years**

(21) Appl. No.: **29/326,936**

(22) Filed: **Oct. 28, 2008**

(51) **LOC (9) Cl.** ..... **08-06**

(52) **U.S. Cl.** ..... **D8/313**

(58) **Field of Classification Search** ..... D8/300,  
D8/301, 302, 305, 306, 307-313, 315-318,  
D8/319-322, DIG. 1, DIG. 2, DIG. 10, 330,  
D8/345, 341, 400, 331, 336, 338; D15/89;  
D7/393, 394; D3/318; D6/549, 524, 533,  
D6/550, 546; D23/303, 304, 305, 250-254;  
16/441, 118, 110 R, 111 R, DIG. 19, DIG. 30,  
16/110.1, 412, 414-420, 443-446; 292/336.3,  
292/57, 39, 40, 229, DIG. 31, 169.18, 46,  
292/73; 211/16, 182; 220/752-754; 70/DIG. 31,  
70/208, 215, 451, 448

See application file for complete search history.

(56) **References Cited**

**U.S. PATENT DOCUMENTS**

3,958,503 A	5/1976	Moore	99/327
4,197,611 A	4/1980	Bell et al.	16/116
4,346,651 A	8/1982	Schickedanz	9/392
4,388,743 A	6/1983	Hellinger et al.	16/116
4,836,392 A	6/1989	Constantino	211/181
5,664,520 A	9/1997	Latimer, III	16/114
5,706,718 A	1/1998	Svensson	99/416
D501,391 S *	2/2005	Hartwell	D8/313
7,305,738 B2	12/2007	Nawrocki	16/428
2003/0075517 A1 *	4/2003	Jahrling	211/41.8
2006/0254992 A1 *	11/2006	Lim	211/41.9

2006/0254993 A1 *	11/2006	Lee	211/41.9
2006/0254994 A1 *	11/2006	Lim	211/41.9
2007/0000096 A1	1/2007	Lazaroff	16/435
2007/0272632 A1 *	11/2007	Jerstroem et al.	211/41.4
2008/0047542 A1	2/2008	Hughes	126/339
2008/0272074 A1 *	11/2008	Crookshanks et al.	211/41.9
2009/0015118 A1 *	1/2009	Gunnerson et al.	312/228
2009/0038657 A1 *	2/2009	Kang	134/137

**FOREIGN PATENT DOCUMENTS**

JP 6-141940 5/1994

\* cited by examiner

*Primary Examiner*—Stella M Reid

*Assistant Examiner*—Mark A Goodwin

(74) *Attorney, Agent, or Firm*—Kusner & Jaffe; Michael A. Centanni

(57) **CLAIM**

The ornamental design for a cool touch handle, as shown and described.

**DESCRIPTION**

FIG. 1 is a back perspective view of a cool touch handle showing my new design;

FIG. 2 is a front, perspective view thereof;

FIG. 3 is a back view thereof;

FIG. 4 is a top view thereof;

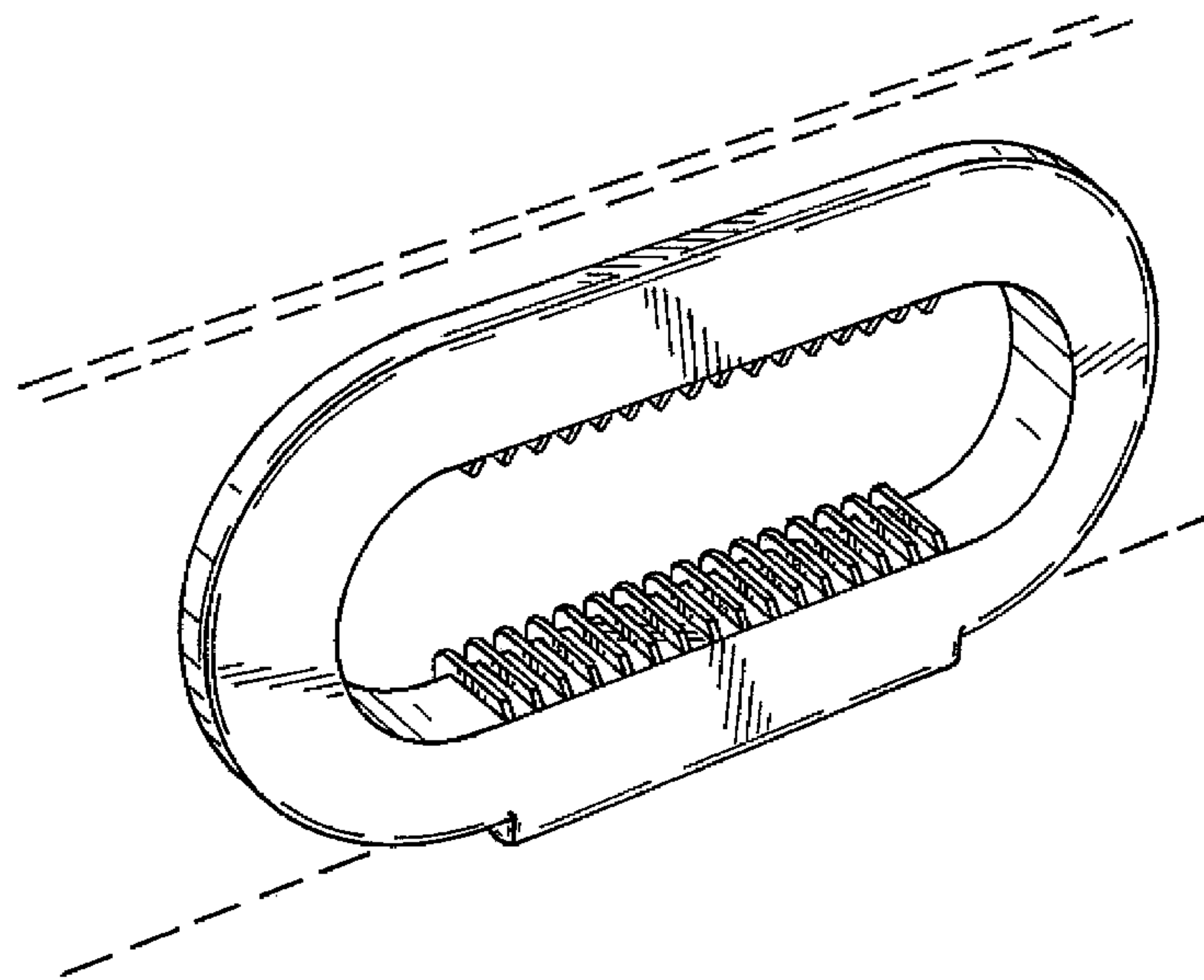
FIG. 5 is a bottom view thereof;

FIG. 6 is a side view thereof; and,

FIG. 7 is a front view thereof.

The broken line showing of a portion of a washer rack is included for the purpose of illustrating environmental use only and forms no part of the claimed design.

**1 Claim, 2 Drawing Sheets**



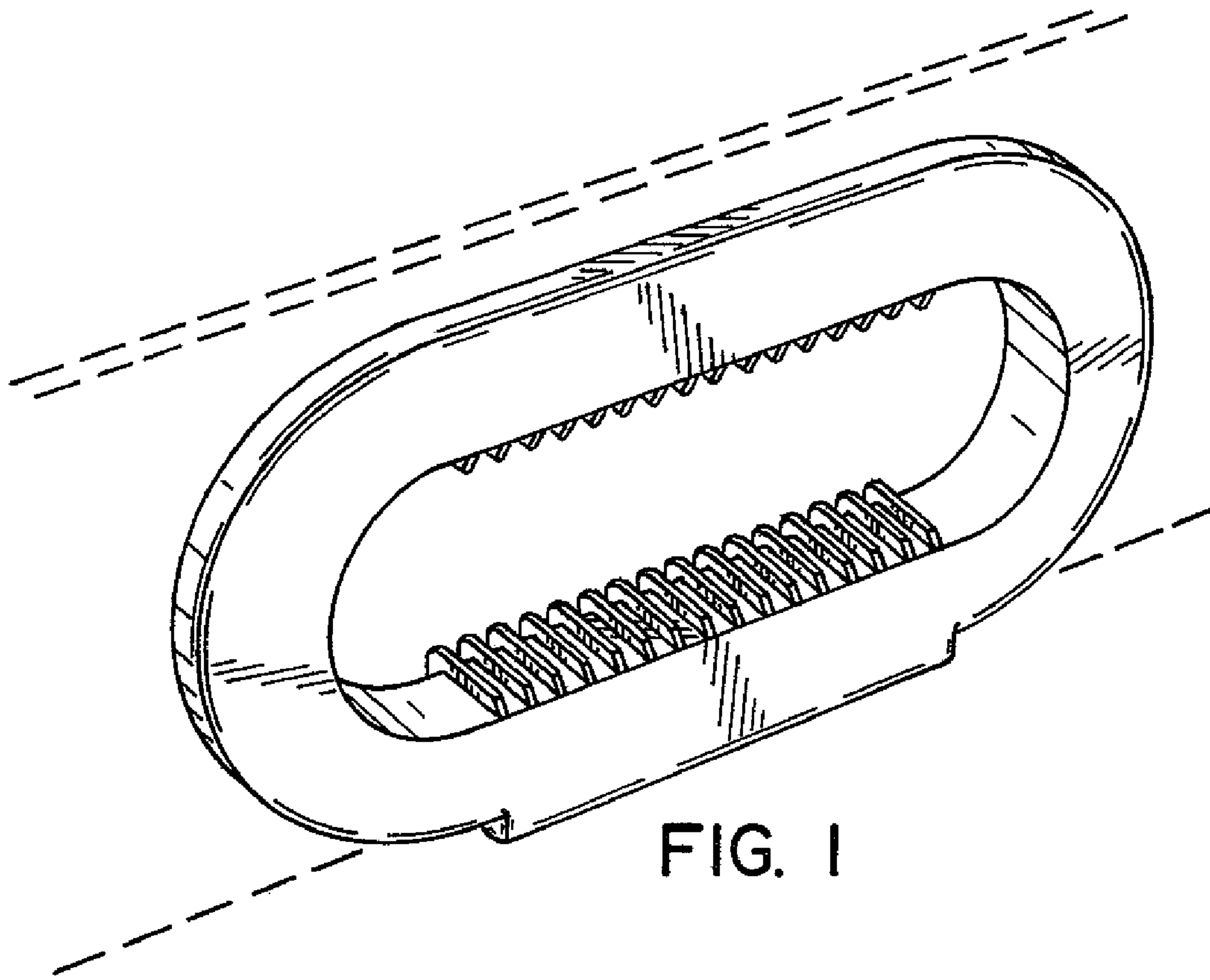


FIG. 1

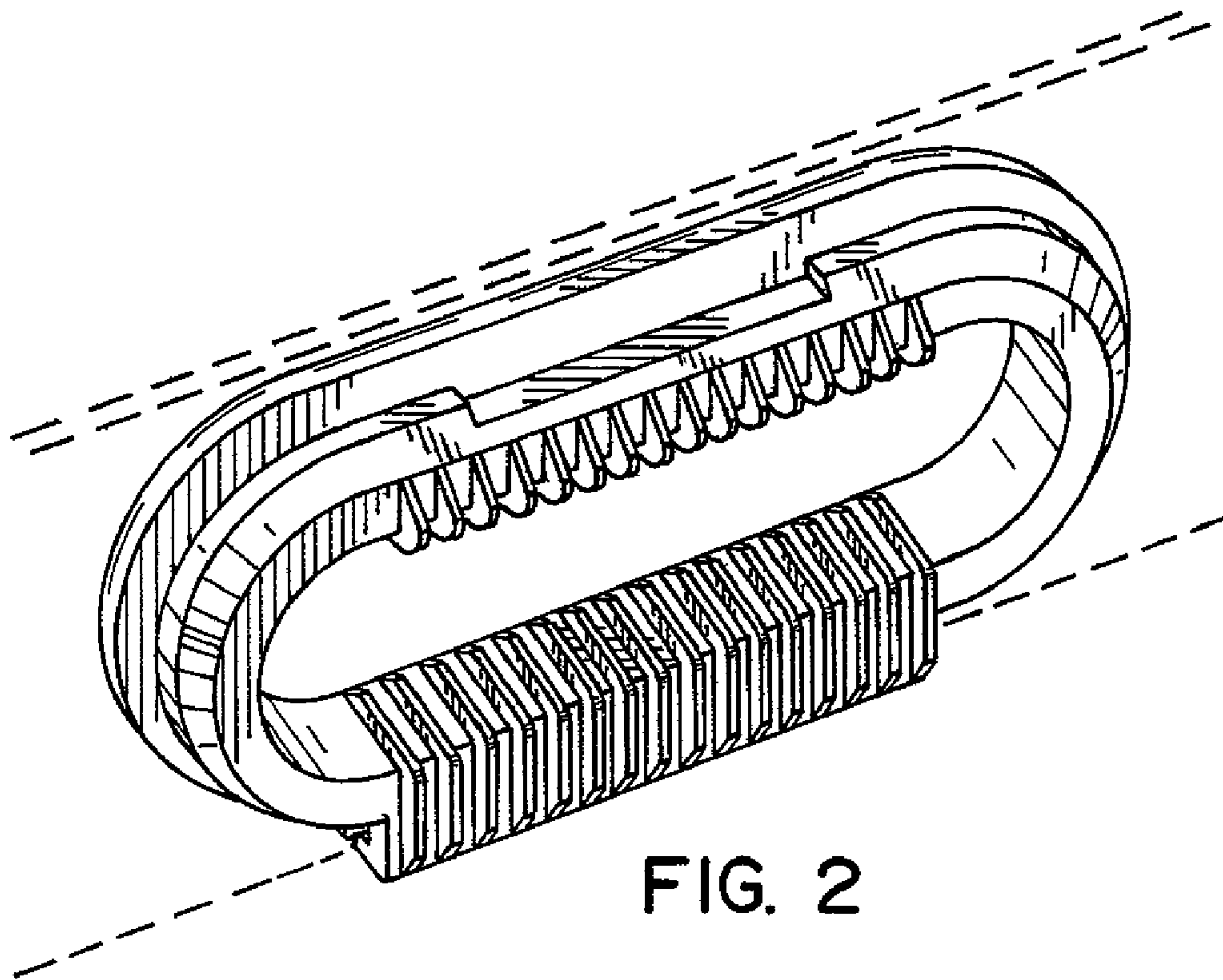


FIG. 2



FIG. 4

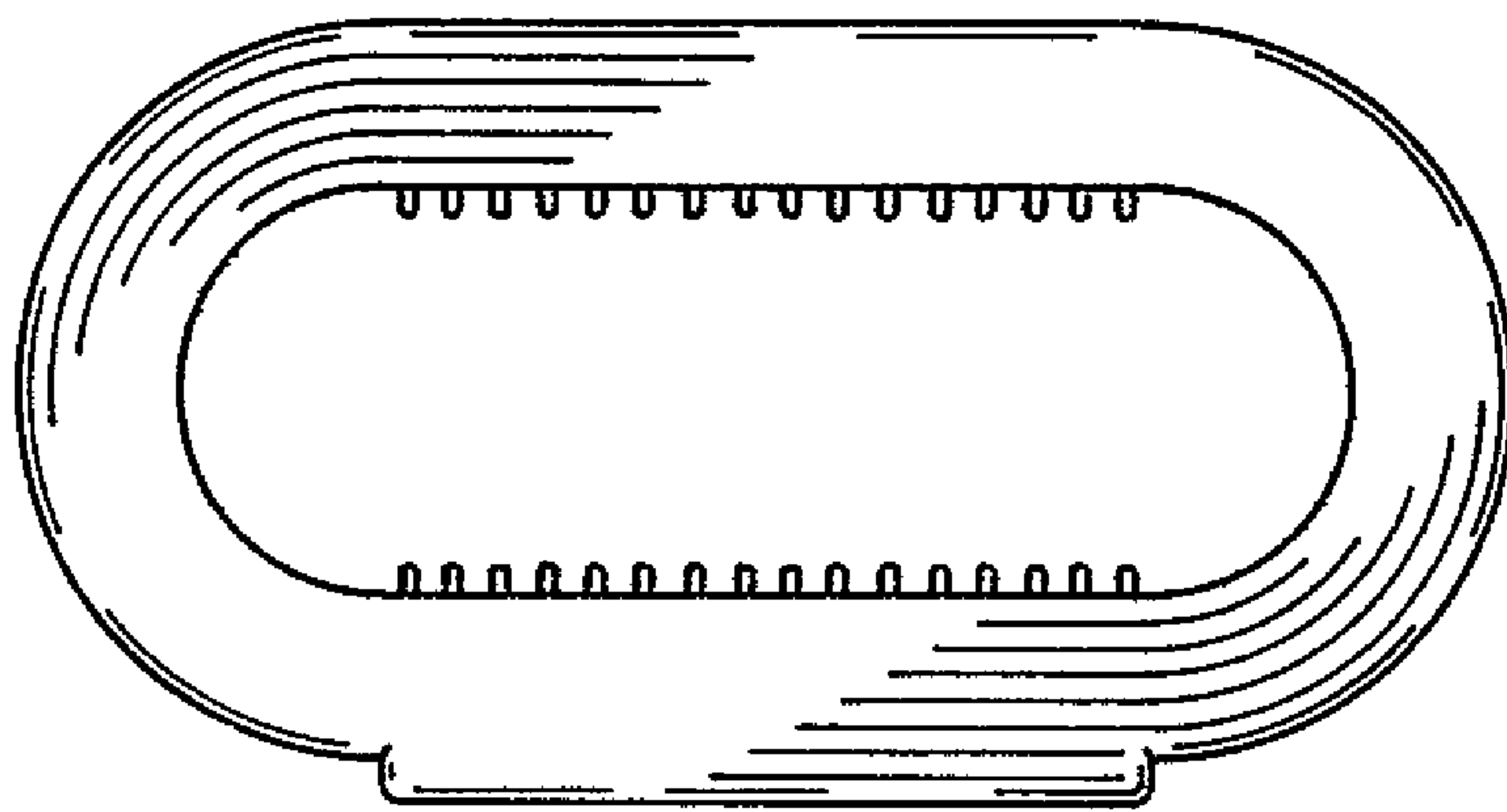


FIG. 3

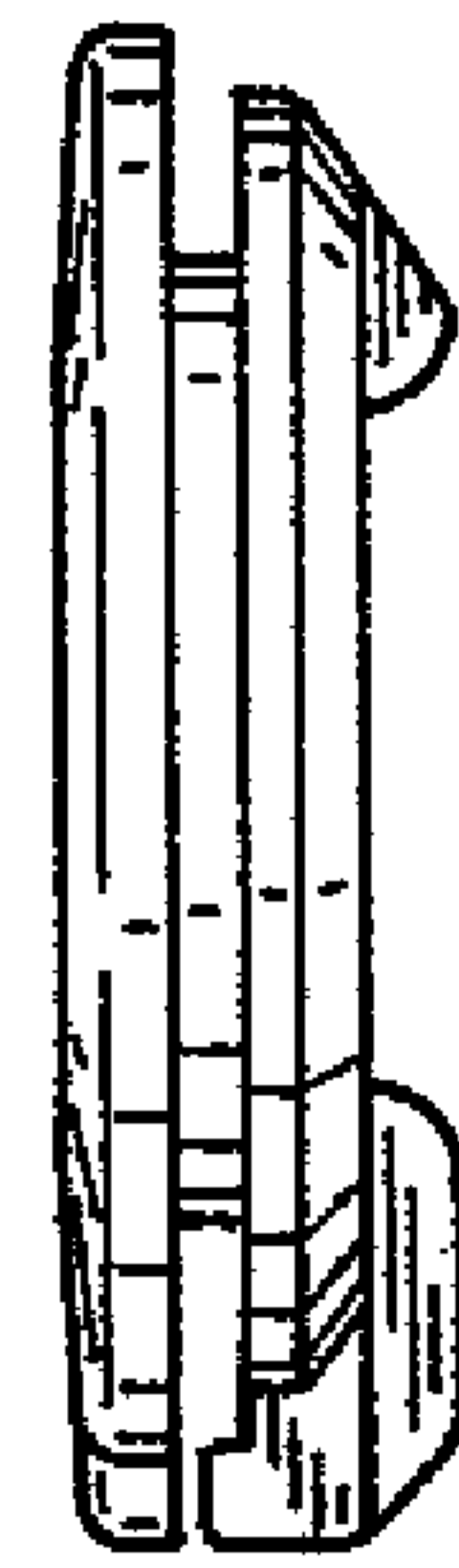


FIG. 6

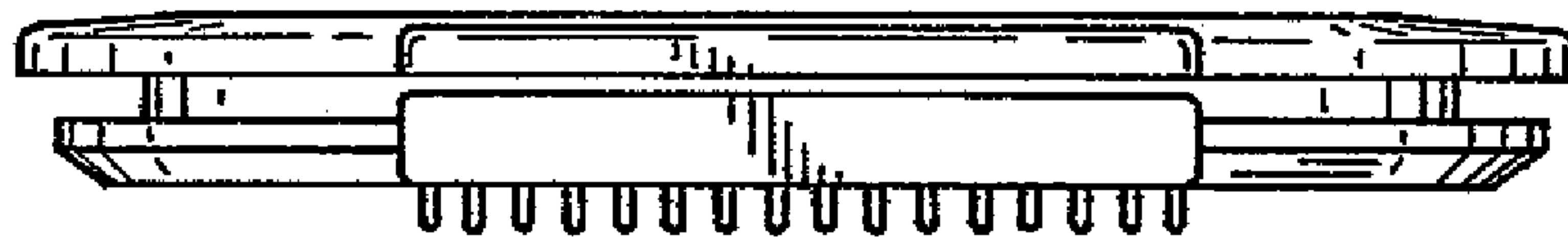


FIG. 5

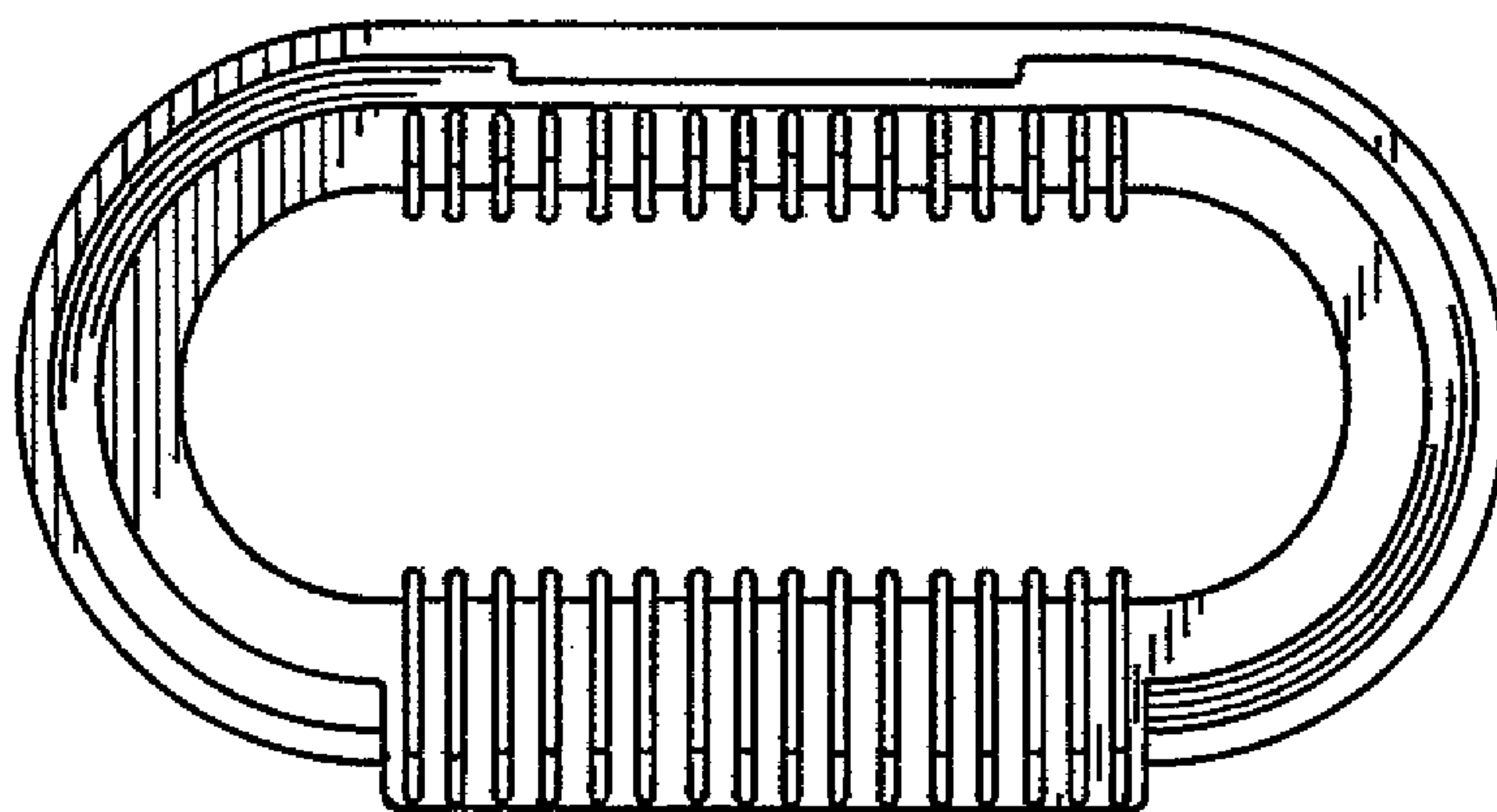


FIG. 7