



US00D597388S

(12) **United States Design Patent**
Davidson

(10) **Patent No.:** **US D597,388 S**

(45) **Date of Patent:** **** Aug. 4, 2009**

(54) **SOCKET WRENCH**

(75) Inventor: **James D. Davidson**, St. Charles, IL (US)

(73) Assignee: **Sears Brands LLC.**, Hoffman Estates, IL (US)

(**) Term: **14 Years**

(21) Appl. No.: **29/325,187**

(22) Filed: **Sep. 26, 2008**

(51) **LOC (9) Cl.** **08-05**

(52) **U.S. Cl.** **D8/25**

(58) **Field of Classification Search** D8/21-29,
D8/81-87, 102-107, 98, 99, 55, 93, 94; 81/60-63.2,
81/177.1, 177.85, 177.8, 489, 125.1, 121.1,
81/119-120, 176.1, 186, 177.9, 185.1, 176.2,
81/165, 170, 3.35, 58, 3.345, 155; 206/378;
16/429, 441, 124.6; 7/100, 138, 168, 157
See application file for complete search history.

(56) **References Cited**

U.S. PATENT DOCUMENTS

2,963,929 A * 12/1960 Barnes 81/62
3,732,756 A * 5/1973 Thomasian 81/62
D472,115 S * 3/2003 Davidson et al. D8/25

6,711,973 B2 * 3/2004 Arnold et al. 81/63.2
7,311,019 B2 * 12/2007 Arnold et al. 81/63.2
2003/0177871 A1 * 9/2003 Arnold et al. 81/63.2
2005/0126348 A1 * 6/2005 Arnold et al. 81/63.2
2005/0139041 A1 * 6/2005 Arnold et al. 81/63.1
2006/0130615 A1 * 6/2006 Arnold et al. 81/63.2

* cited by examiner

Primary Examiner—Raphael Barkai

Assistant Examiner—Randall H Gholson

(74) *Attorney, Agent, or Firm*—Greenberg Traurig LLP

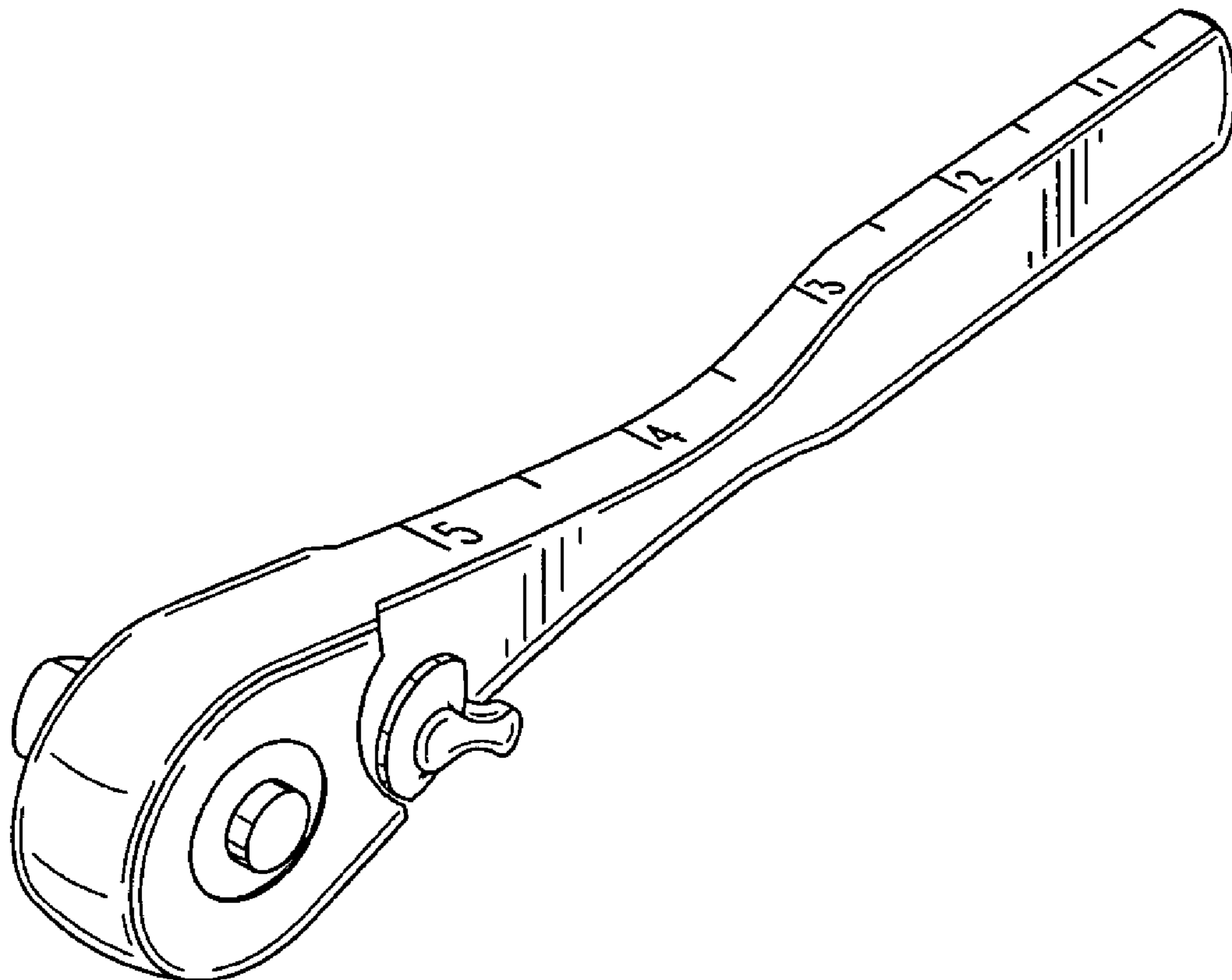
(57) **CLAIM**

What is claimed is the ornamental design for a socket wrench, as shown and described.

DESCRIPTION

FIG. 1 is an isometric view of a socket wrench;
FIG. 2 is a first side-view of the socket wrench;
FIG. 3 is a second side-view of the socket wrench;
FIG. 4 is a bottom view of the socket wrench;
FIG. 5 is a top view of the socket wrench;
FIG. 6 is a first end-view of the socket wrench; and,
FIG. 7 is a second end-view of the socket wrench.

1 Claim, 2 Drawing Sheets



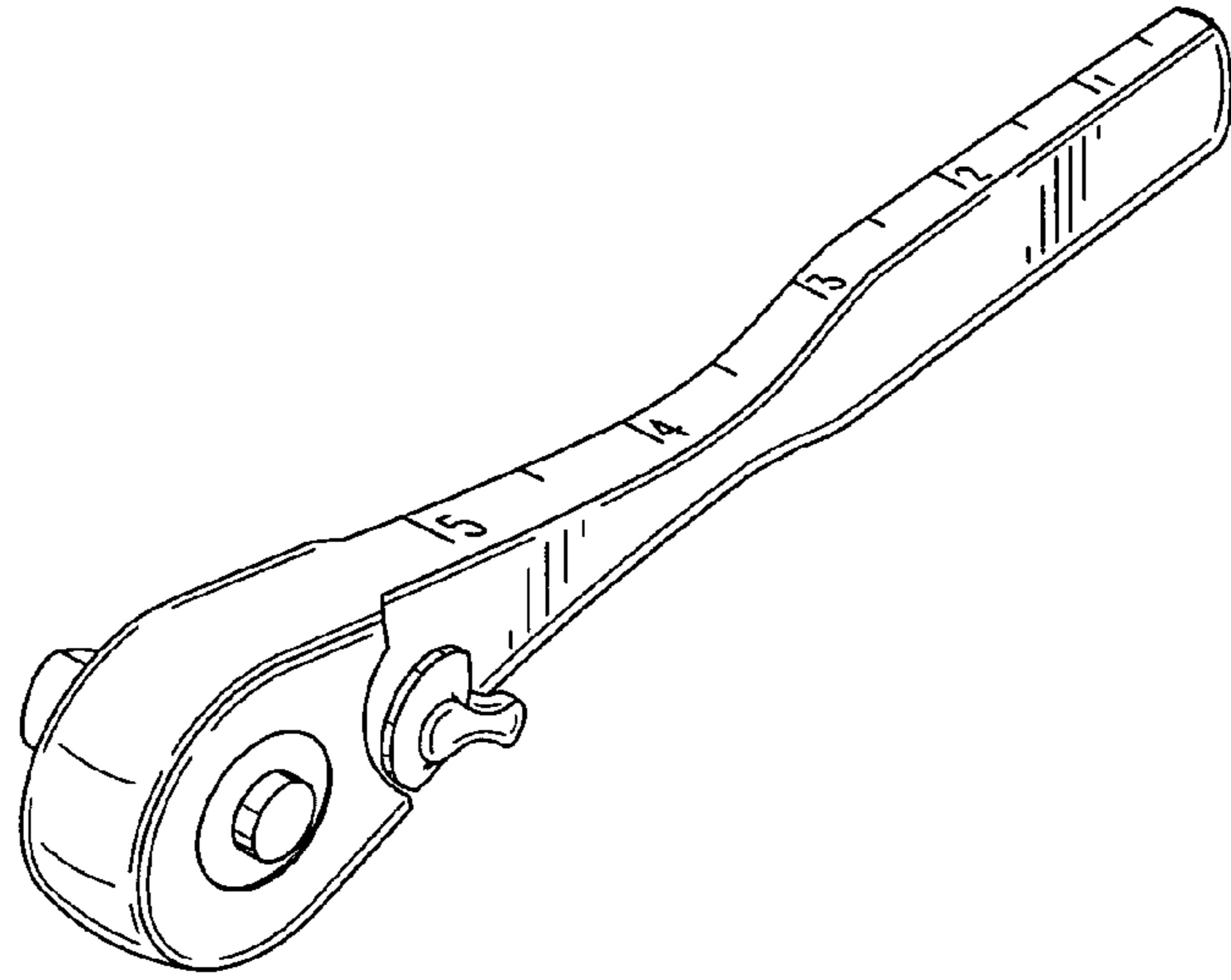


FIG. 1

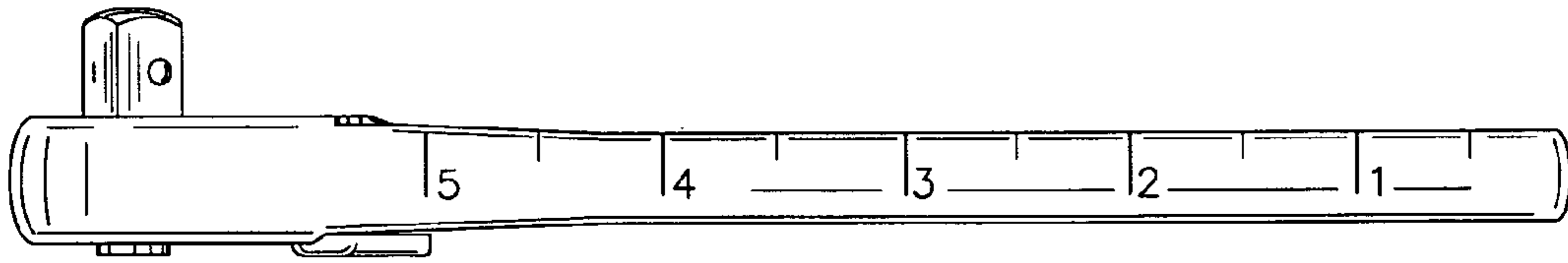


FIG. 2

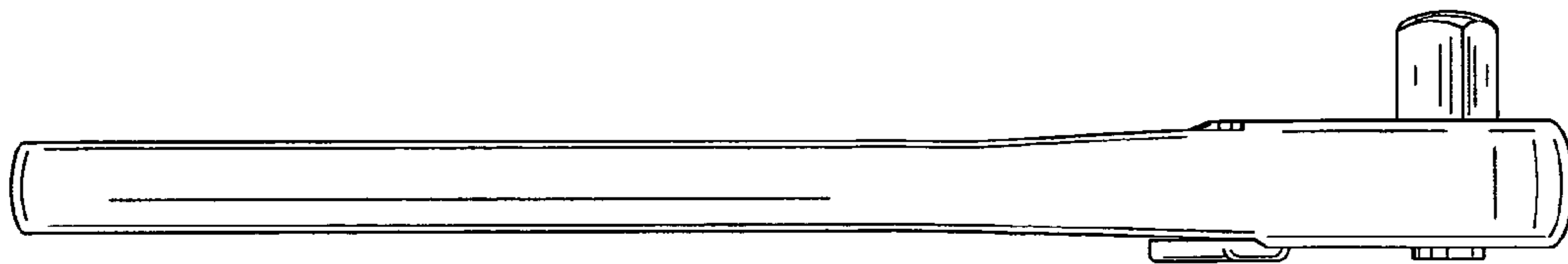


FIG. 3

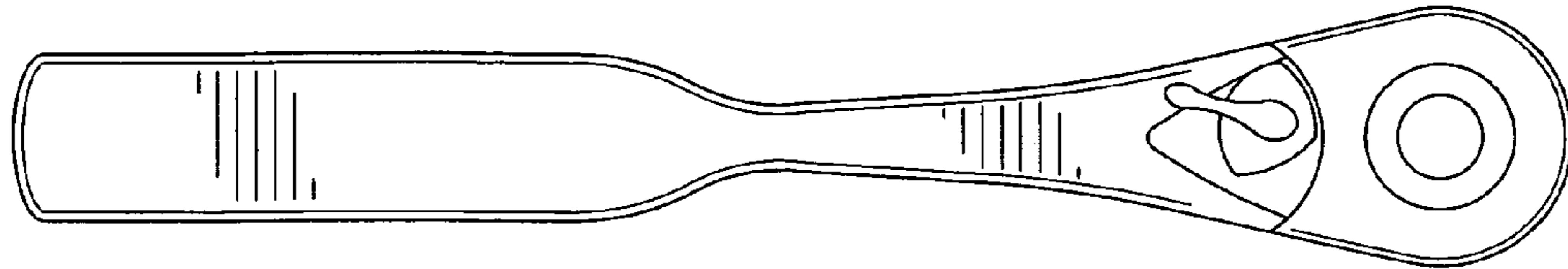


FIG. 4

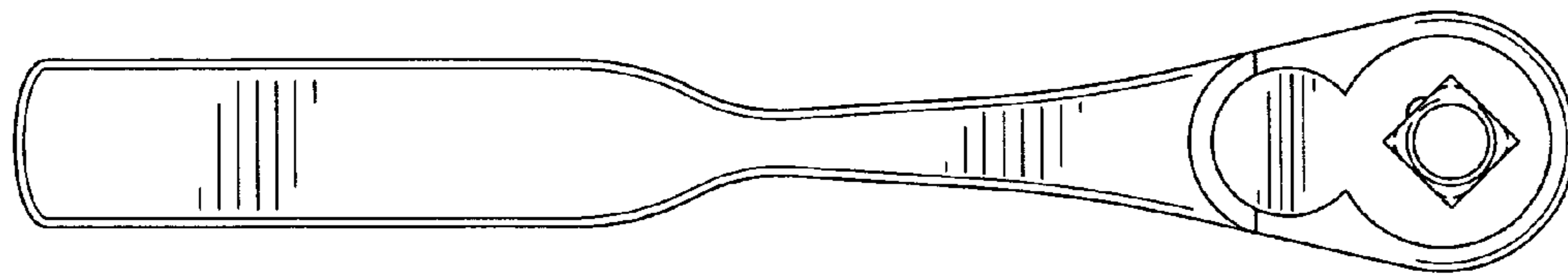


FIG. 5

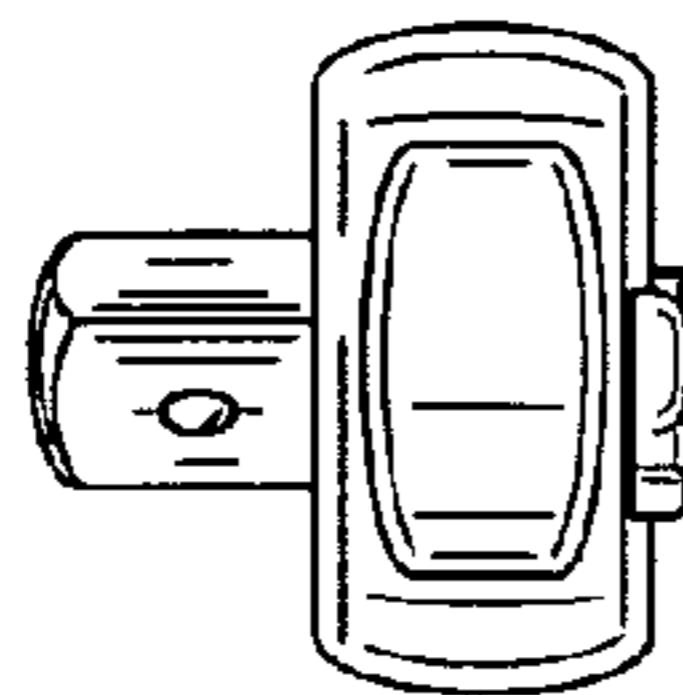


FIG. 6

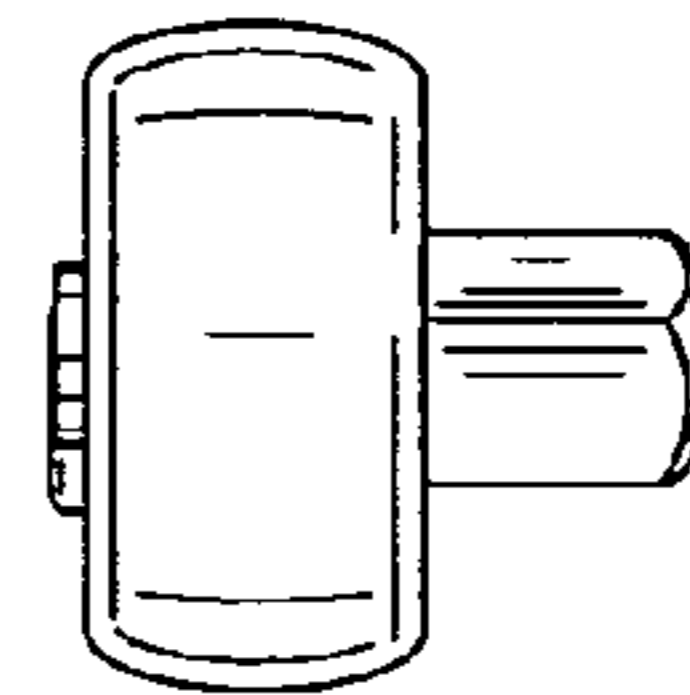


FIG. 7