



US00D597383S

(12) **United States Design Patent**
Masterton et al.

(10) **Patent No.:** **US D597,383 S**

(45) **Date of Patent:** **** Aug. 4, 2009**

(54) **COOL BOX FOR FISH**

(75) Inventors: **Scott William Masterton**, Grimsby NE (GB); **Stephen Andrew Moore**, Grimsby NE (GB)

(73) Assignee: **Coolblue Box Company Ltd.**, Lincolnshire (GB)

(**) Term: **14 Years**

(21) Appl. No.: **29/293,790**

(22) Filed: **Dec. 11, 2007**

(30) **Foreign Application Priority Data**

Oct. 1, 2007 (EP) 000799853

(51) **LOC (9) Cl.** **07-07**

(52) **U.S. Cl.** **D7/629; D3/272; D3/302**

(58) **Field of Classification Search** D3/260, D3/272-273, 294-295, 302, 905; D7/605, D7/629; D9/424-425, 430, 432; 206/372-373, 206/503, 505, 508, 511
See application file for complete search history.

(56) **References Cited**

U.S. PATENT DOCUMENTS

2,181,150	A *	11/1939	Pittenger	220/265
D201,398	S *	6/1965	Burns et al.	D3/302
D218,658	S *	9/1970	Perkins et al.	D3/302
D221,914	S *	9/1971	Perkins et al.	D3/302
D240,205	S *	6/1976	Visser et al.	D3/302
D243,230	S *	2/1977	Kleiner	D9/426
D248,015	S *	5/1978	Smith	D9/425
D262,839	S *	2/1982	Daenen et al.	D3/302
5,004,103	A *	4/1991	Connors et al.	206/372
D333,094	S *	2/1993	Zutler	D9/423
D336,366	S *	6/1993	Slayton	D3/282
D361,715	S *	8/1995	Hauptert	D9/424
D383,606	S *	9/1997	Bourbonnais	D3/302
D389,307	S *	1/1998	Zimmerman	D3/273

D452,374	S *	12/2001	Kim	D3/302
D521,812	S *	5/2006	Kim	D7/629
D531,798	S *	11/2006	Ringo	D3/273
D539,644	S *	4/2007	Fuerst	D9/431
D552,465	S *	10/2007	Ringo	D9/415

OTHER PUBLICATIONS

Cool Blue Box. Downloaded Oct. 1, 2008 at [http://images.google.com/imgres?imgurl=http://www.youngsseafood.co...*](http://images.google.com/imgres?imgurl=http://www.youngsseafood.co...)

* cited by examiner

Primary Examiner—Philip S Hyder

Assistant Examiner—Roselynn Cody

(74) *Attorney, Agent, or Firm*—TraskBritt

(57) **CLAIM**

The ornamental design for a cool box for fish, as shown and described.

DESCRIPTION

FIG. 1 is a perspective view of a cool box for fish from the front, one side and above;

FIG. 2 is a plan view of the cool box for fish shown in FIG. 1;

FIG. 3 is a front view of the cool box for fish shown in FIG. 1;

FIG. 4 is a side view of the cool box for fish shown in FIG. 1;

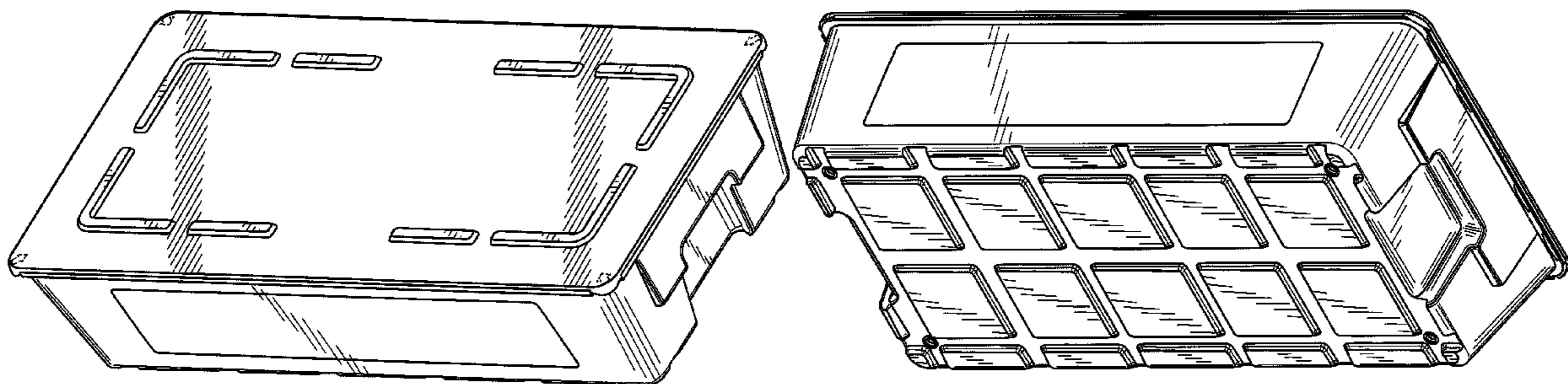
FIG. 5 is an underside perspective view of the cool box for fish shown in FIG. 1 as viewed from the front, one side and below;

FIG. 6 is a perspective view of the cool box for fish shown in FIG. 1 as viewed from the front, one side and above with the lid removed; and,

FIG. 7 is a perspective view of the underside of the lid of the cool box for fish shown in FIG. 1 when removed, as viewed from the front, one side and below.

The dotted lines in FIGS. 1, 2, 6 and 7 indicate elements to which the present application is not listed and for which no protection is sought.

1 Claim, 7 Drawing Sheets



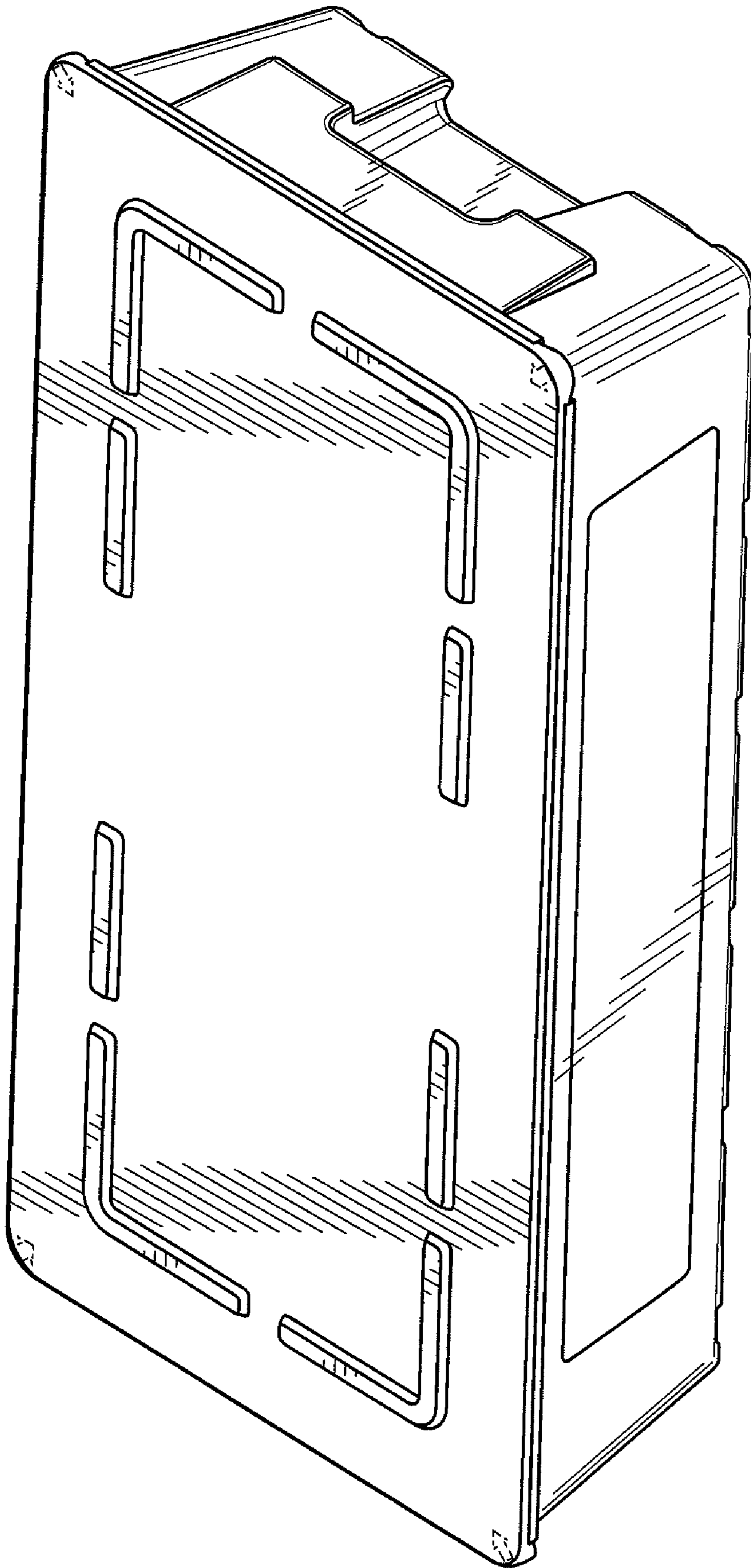


FIG. 1

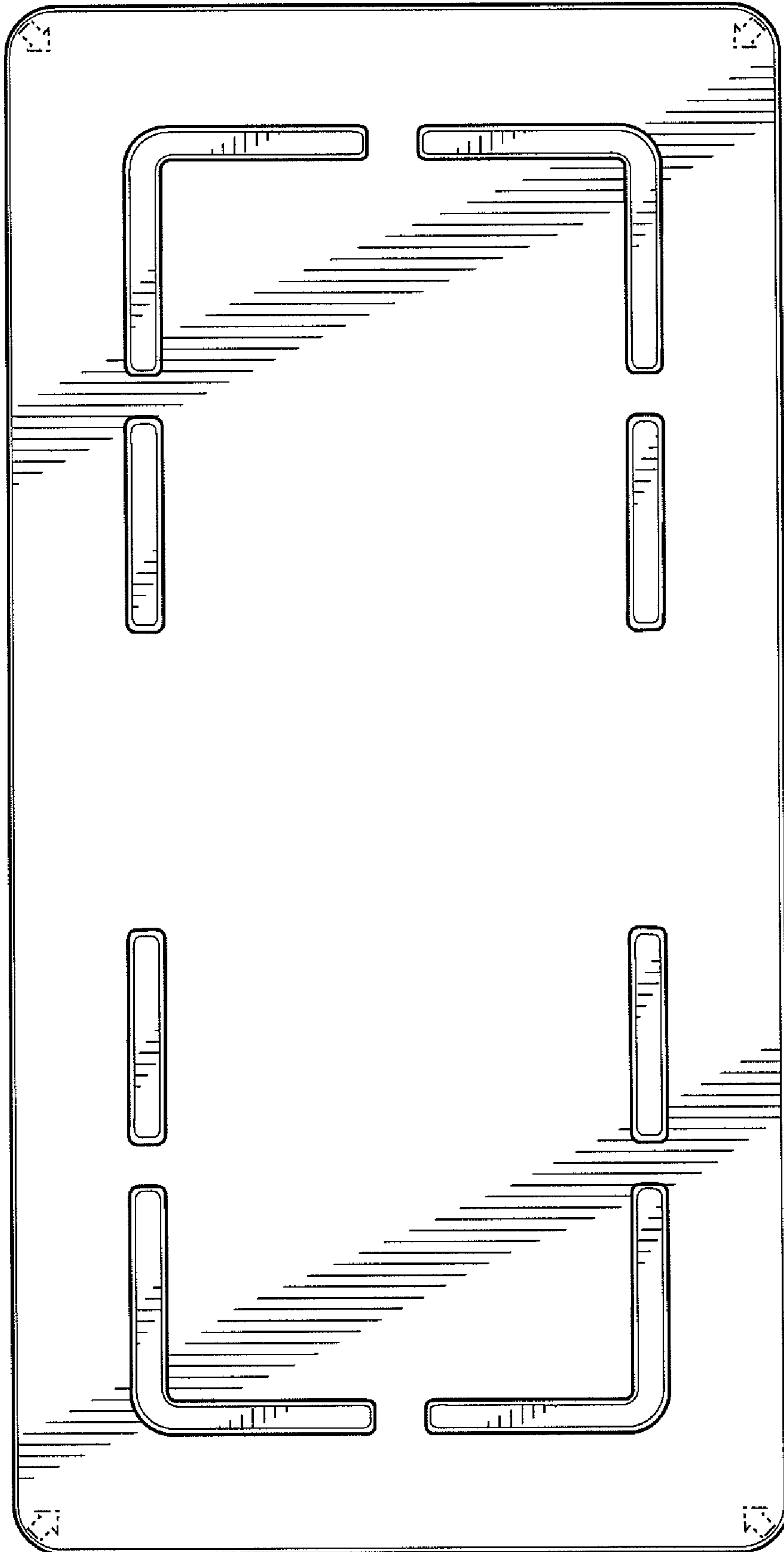


FIG. 2

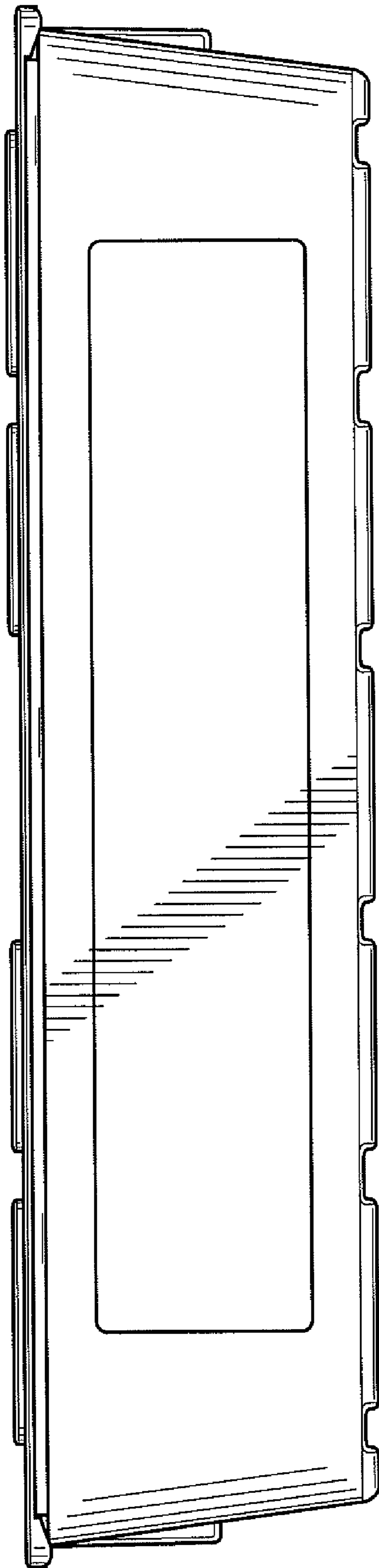


FIG. 3

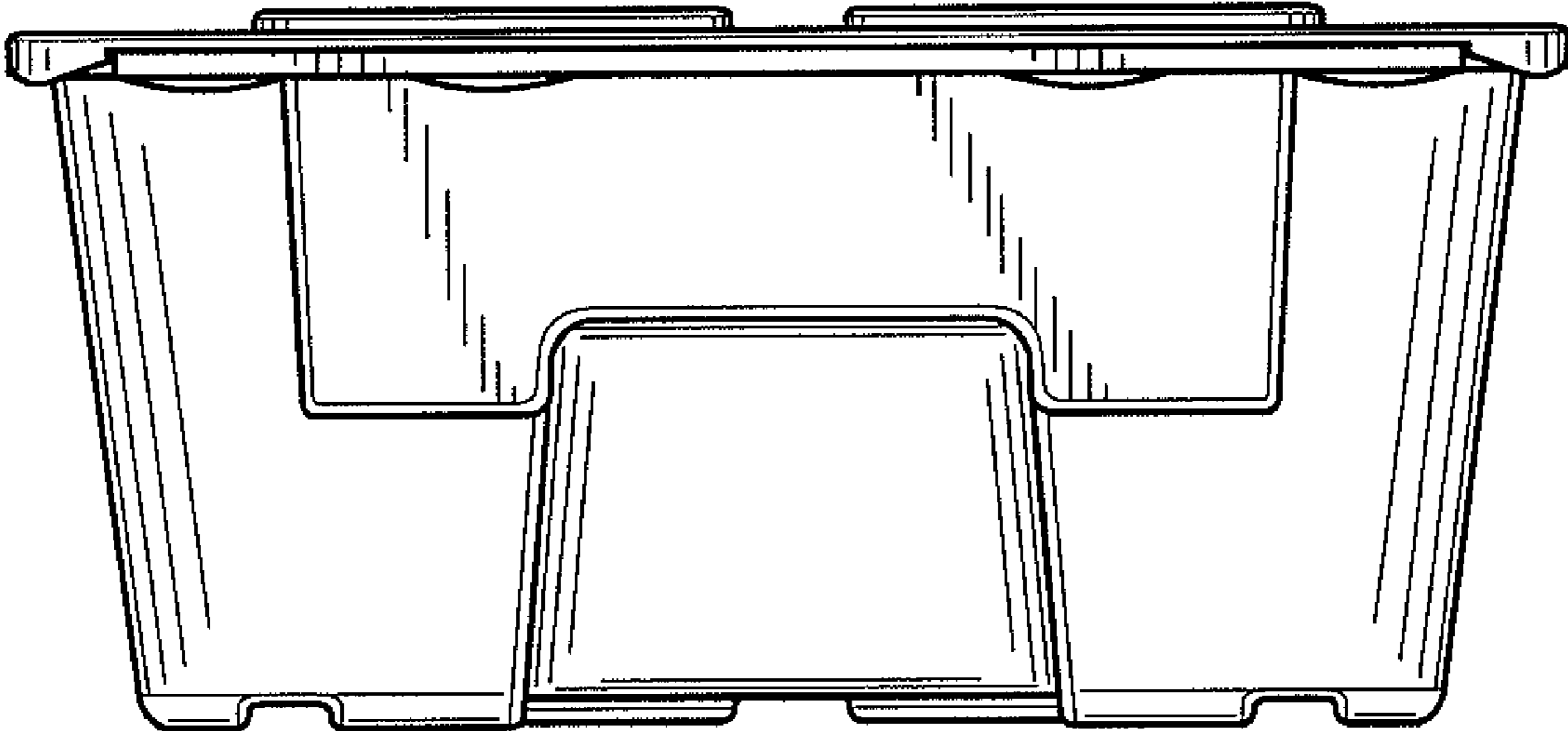


FIG. 4



FIG. 5

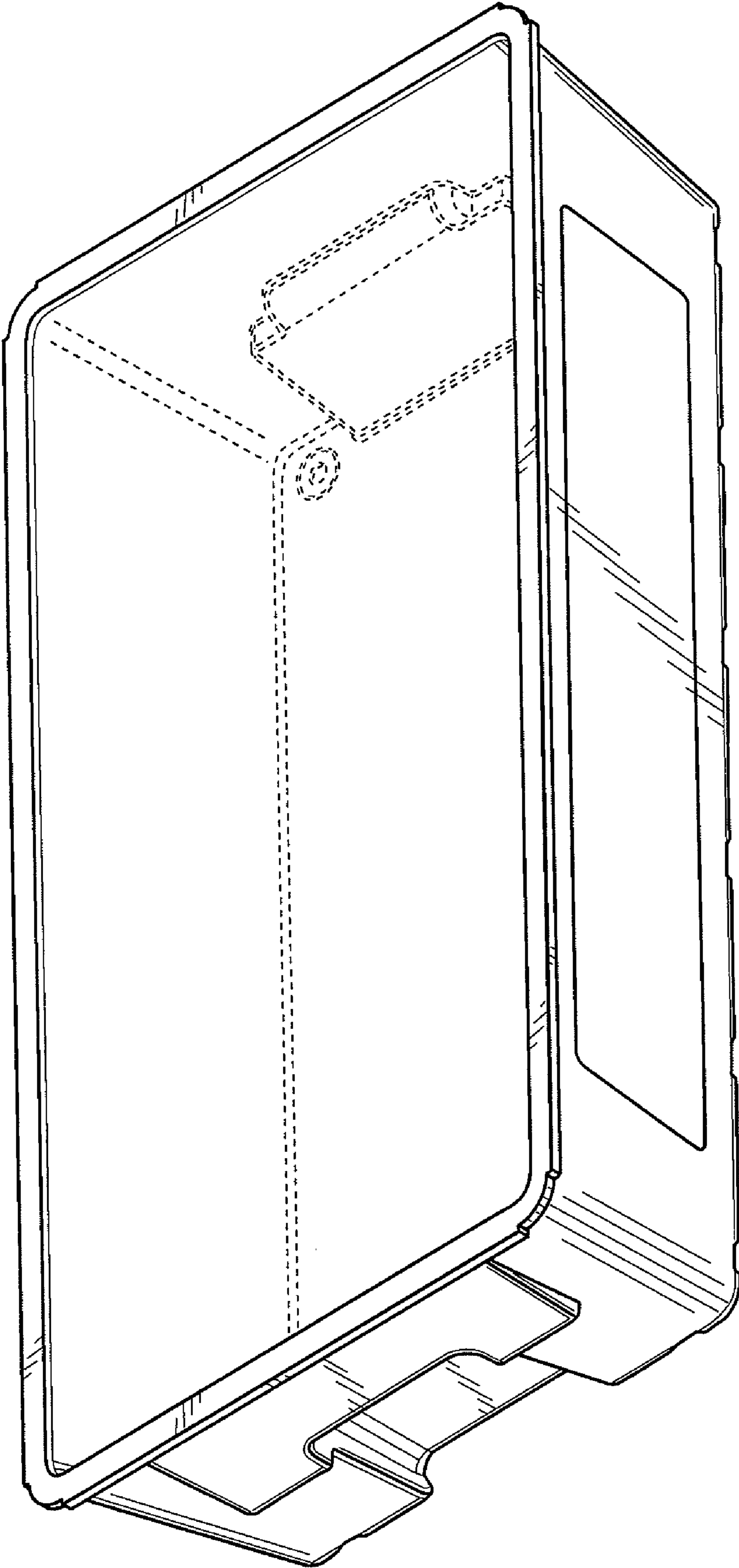


FIG. 6

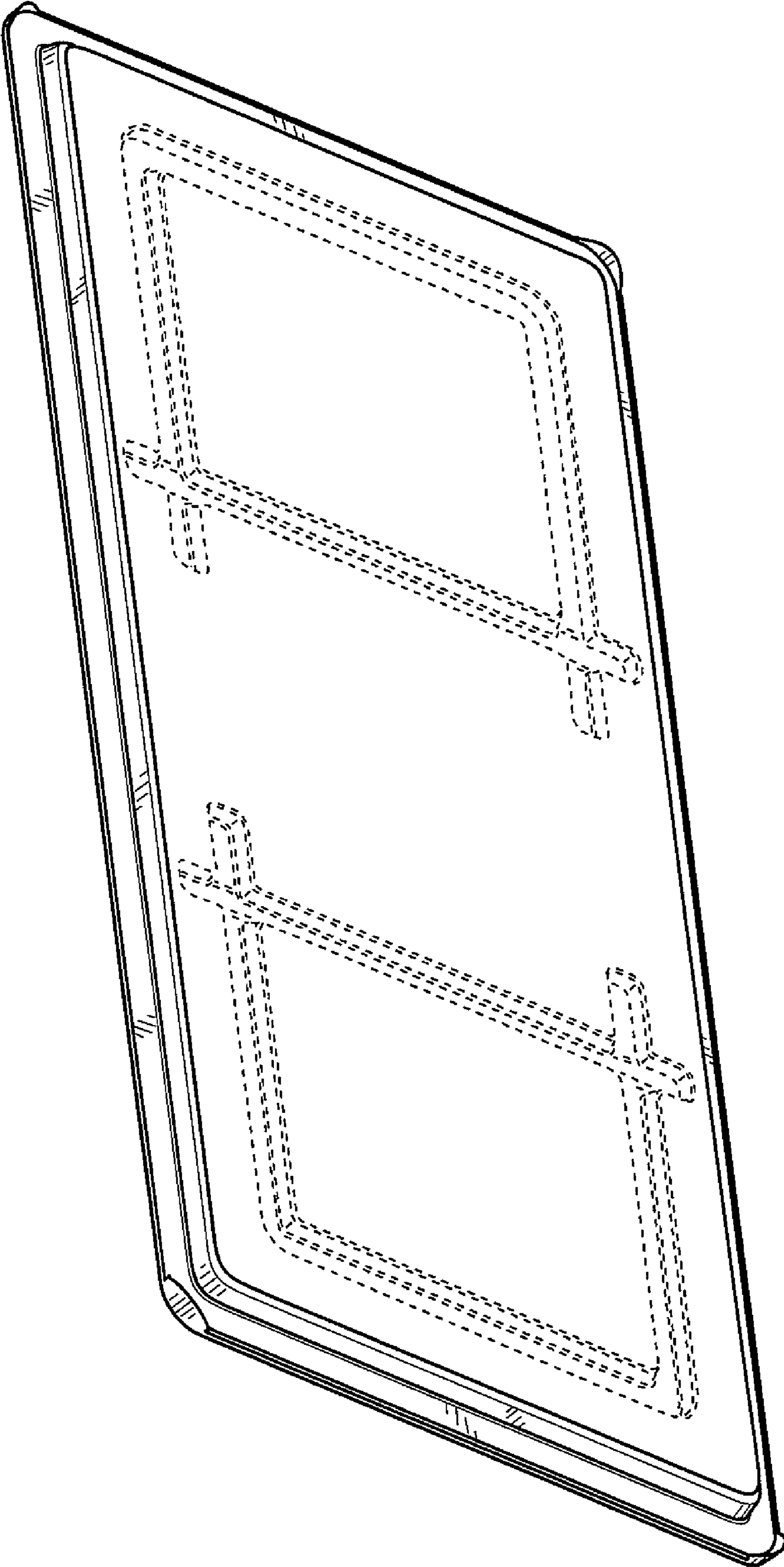


FIG. 7

UNITED STATES PATENT AND TRADEMARK OFFICE
CERTIFICATE OF CORRECTION

PATENT NO. : Des. 597,383 S
APPLICATION NO. : 29/293790
DATED : August 4, 2009
INVENTOR(S) : Scott William Masterton and Stephen Andrew Moore

Page 1 of 1

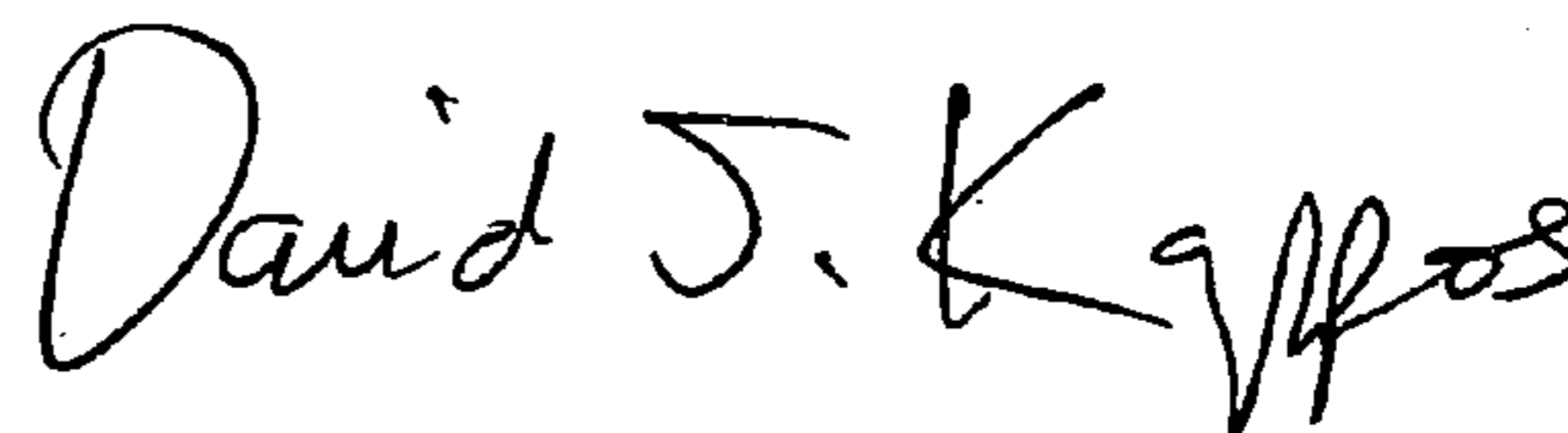
It is certified that error appears in the above-identified patent and that said Letters Patent is hereby corrected as shown below:

On the title page:

In ITEM (57) **Description**, line 14 change “The dotted lines in FIGS. 1, 2, 6 and 7”
to --The dotted lines in FIGS. 6 and 7--

Signed and Sealed this

Sixth Day of July, 2010



David J. Kappos
Director of the United States Patent and Trademark Office