



US00D597381S

(12) **United States Design Patent**
Ledoux

(10) **Patent No.:** **US D597,381 S**

(45) **Date of Patent:** **** Aug. 4, 2009**

(54) **COOLER**

(76) **Inventor:** **Colette Ledoux**, 69 Ellendale Drive,
North Bay, Ontario (CA) P1B 9E8

(**) **Term:** **14 Years**

(21) **Appl. No.:** **29/329,347**

(22) **Filed:** **Dec. 12, 2008**

(51) **LOC (9) Cl.** **07-01**

(52) **U.S. Cl.** **D7/605**

(58) **Field of Classification Search** D7/603-608,
D7/709, 710; D3/201, 202, 229, 232, 233,
D3/276, 272, 273, 283-287, 289; 220/915.1,
220/915.2, 592.01, 592.09, 592.2; 150/100,
150/103-105, 107-110, 114, 118, 119, 154;
383/110, 113, 93, 109

See application file for complete search history.

(56) **References Cited**

U.S. PATENT DOCUMENTS

2,857,949 A * 10/1958 Ziff 383/110
D244,723 S * 6/1977 Rabinowitz D3/289
D382,772 S * 8/1997 Mogil D7/607
6,505,479 B2 * 1/2003 Defelice et al. 62/457.2
D478,782 S * 8/2003 Li D7/607

* cited by examiner

Primary Examiner—Terry A Wallace

(74) *Attorney, Agent, or Firm*—Neal Gerber & Eisenberg
LLP

(57) **CLAIM**

The ornamental design for a cooler, as shown and described.

DESCRIPTION

FIG. 1 is perspective view of a cooler in accordance with the new design;

FIG. 2 is a top plan view of the cooler of FIG. 1;

FIG. 3 is a bottom plan view of the cooler of FIG. 1;

FIG. 4 is a front elevation view of the cooler of FIG. 1;

FIG. 5 is a rear elevation view of the cooler of FIG. 1;

FIG. 6 is a side elevation view of the cooler of FIG. 1;

FIG. 7 is a perspective view of a cooler in accordance with a first variant of the new design;

FIG. 8 is a top plan view of the cooler of FIG. 7;

FIG. 9 is a bottom plan view of the cooler of FIG. 7;

FIG. 10 is a front elevation view of the cooler of FIG. 7;

FIG. 11 is a rear elevation view of the cooler of FIG. 7;

FIG. 12 is a side elevation view of the cooler of FIG. 7;

FIG. 13 is a perspective view of a cooler in accordance with a second variant of the new design;

FIG. 14 is a top plan view of the cooler of FIG. 13;

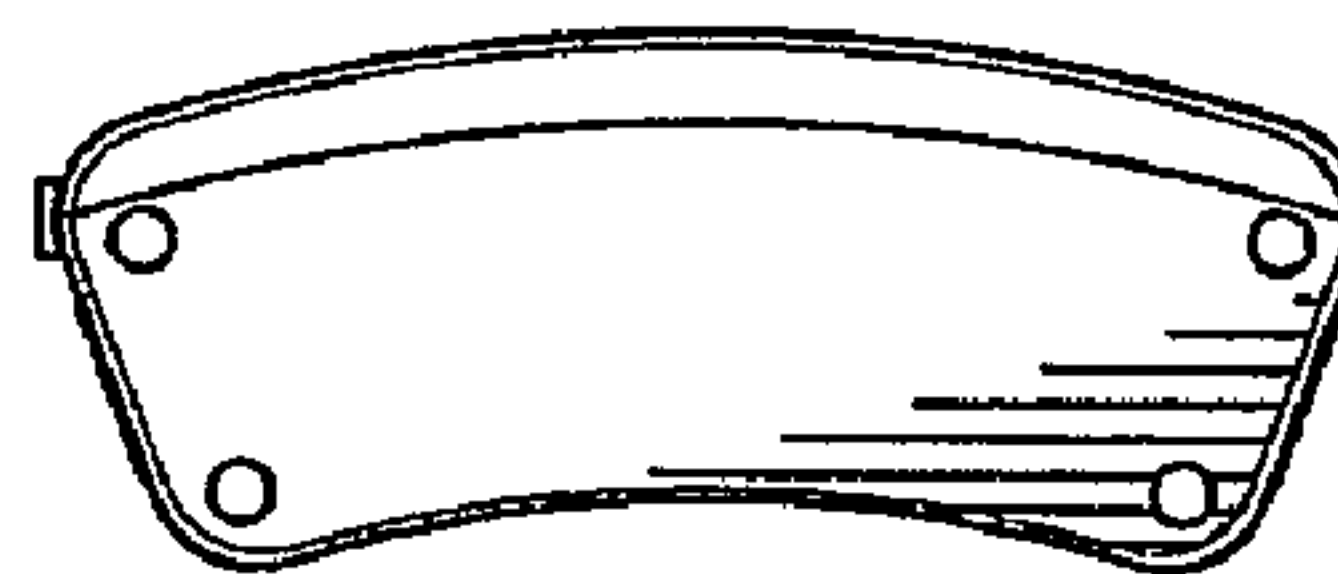
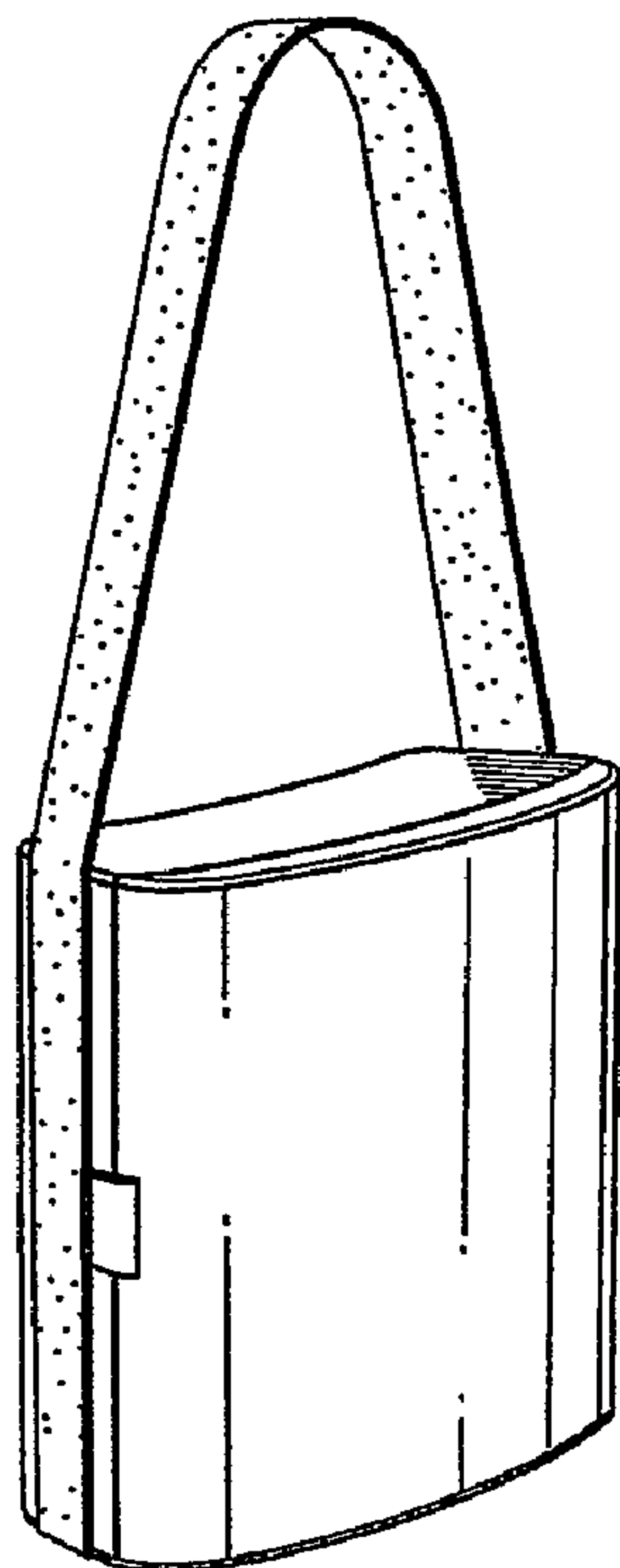
FIG. 15 is a bottom plan view of the cooler of FIG. 13;

FIG. 16 is a front elevation view of the cooler of FIG. 13;

FIG. 17 is a rear elevation view of the cooler of FIG. 13; and,

FIG. 18 is a side elevation view of the cooler of FIG. 13.

1 Claim, 3 Drawing Sheets



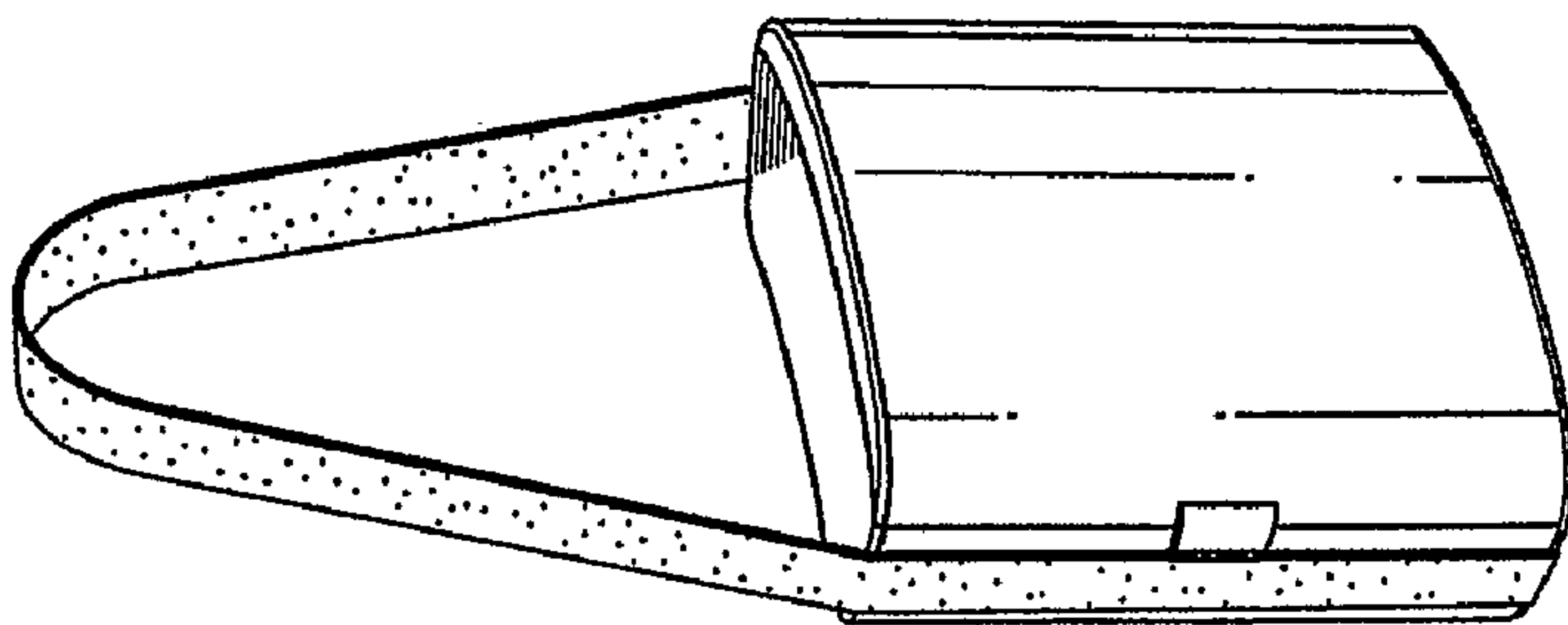


FIG. 1

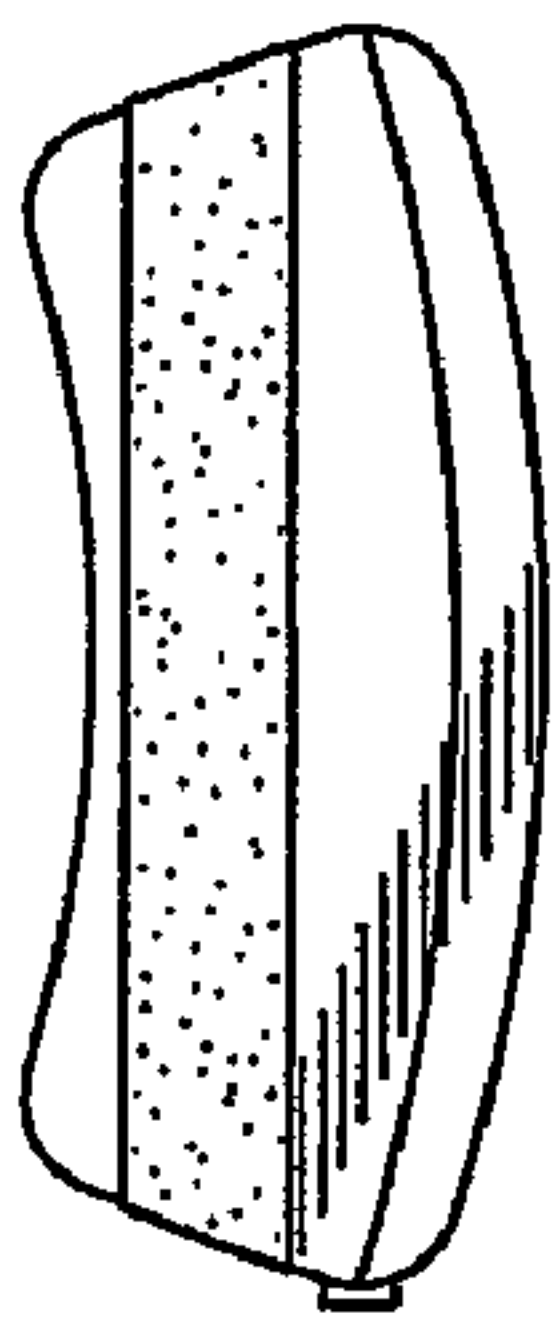


FIG. 2

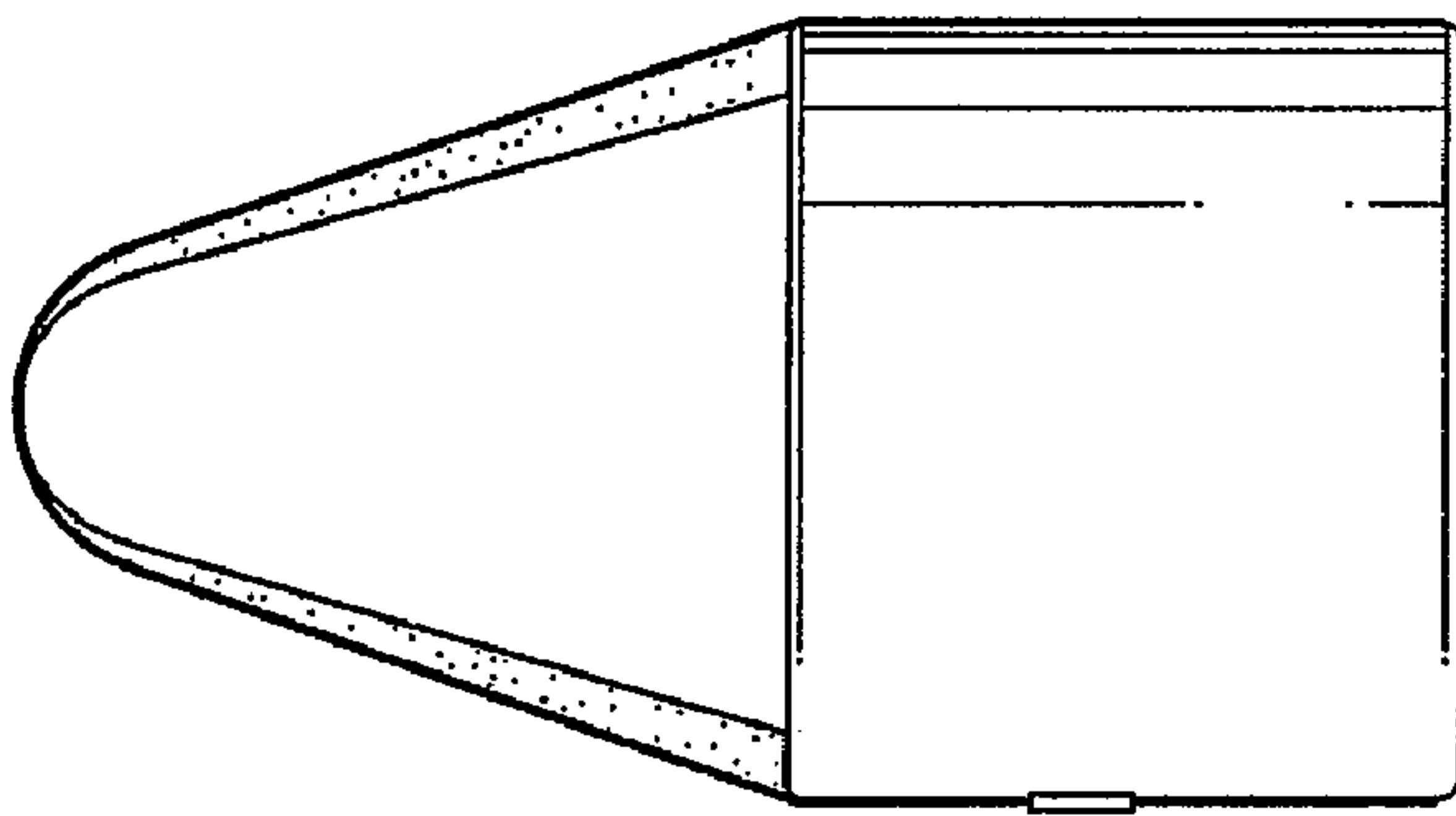


FIG. 4

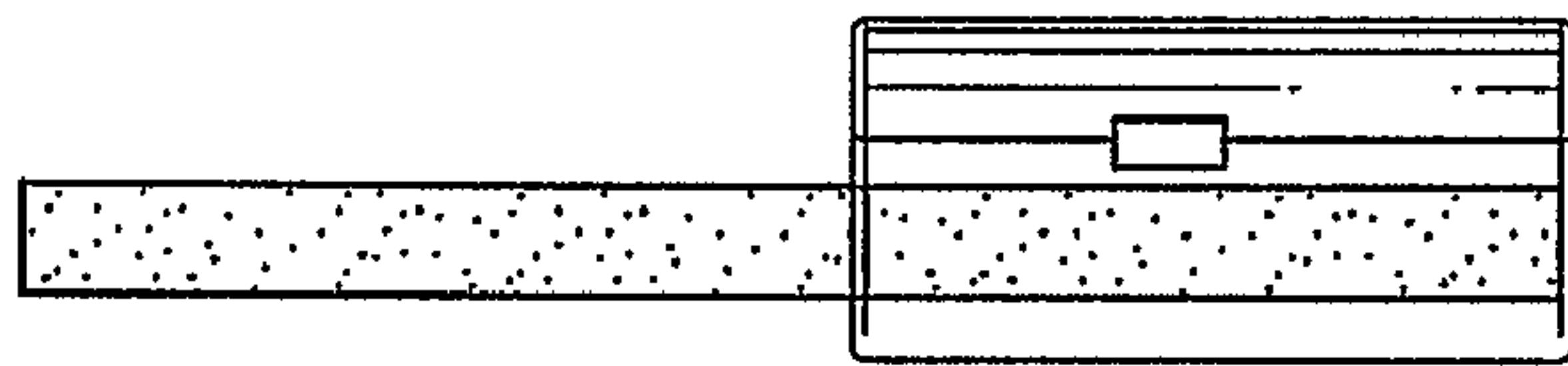


FIG. 6

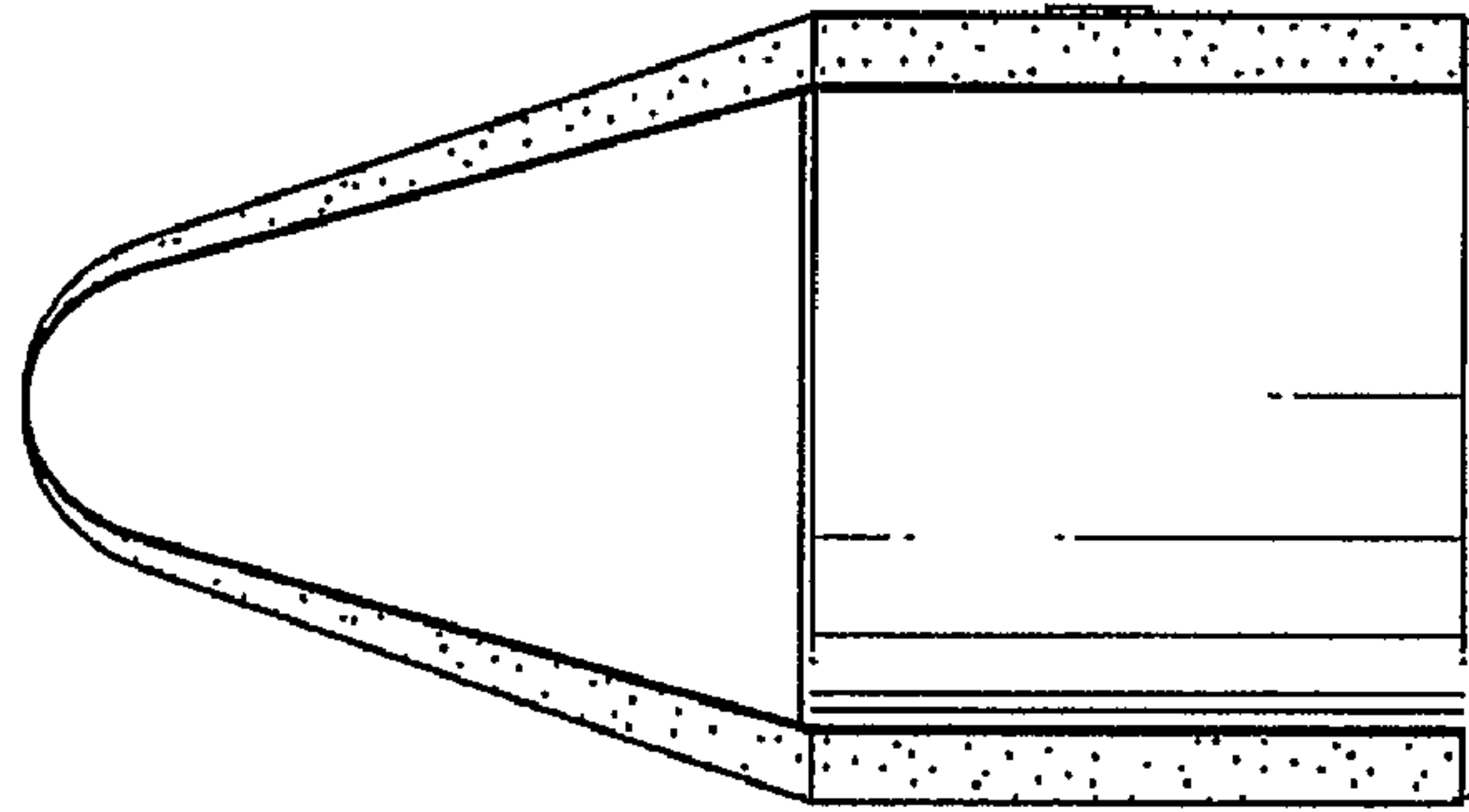


FIG. 5

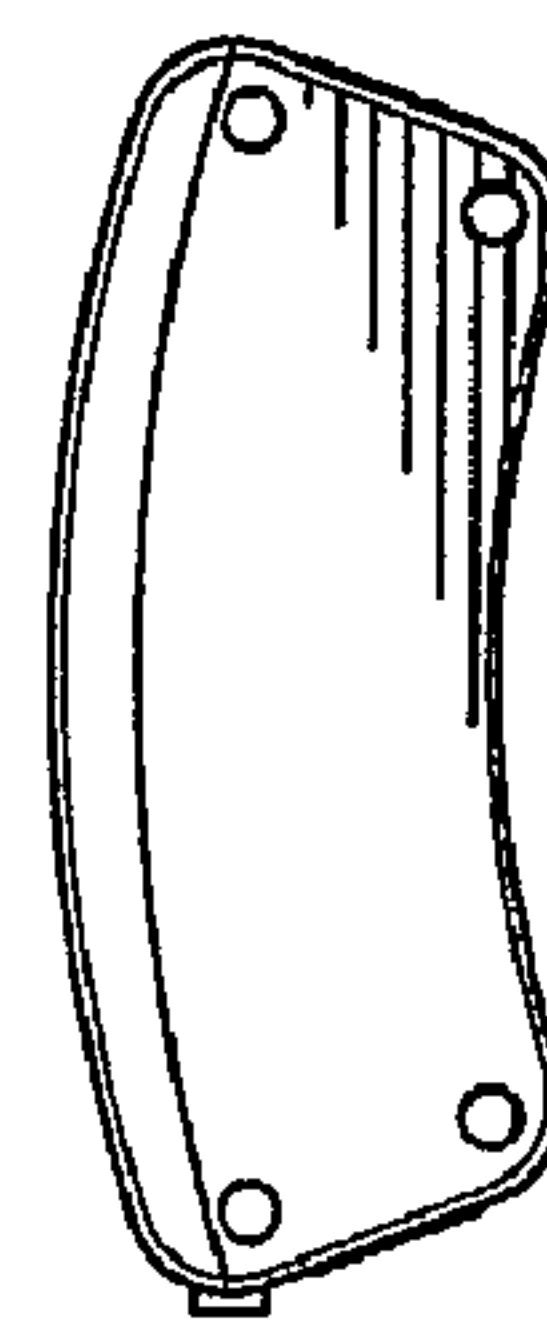


FIG. 3

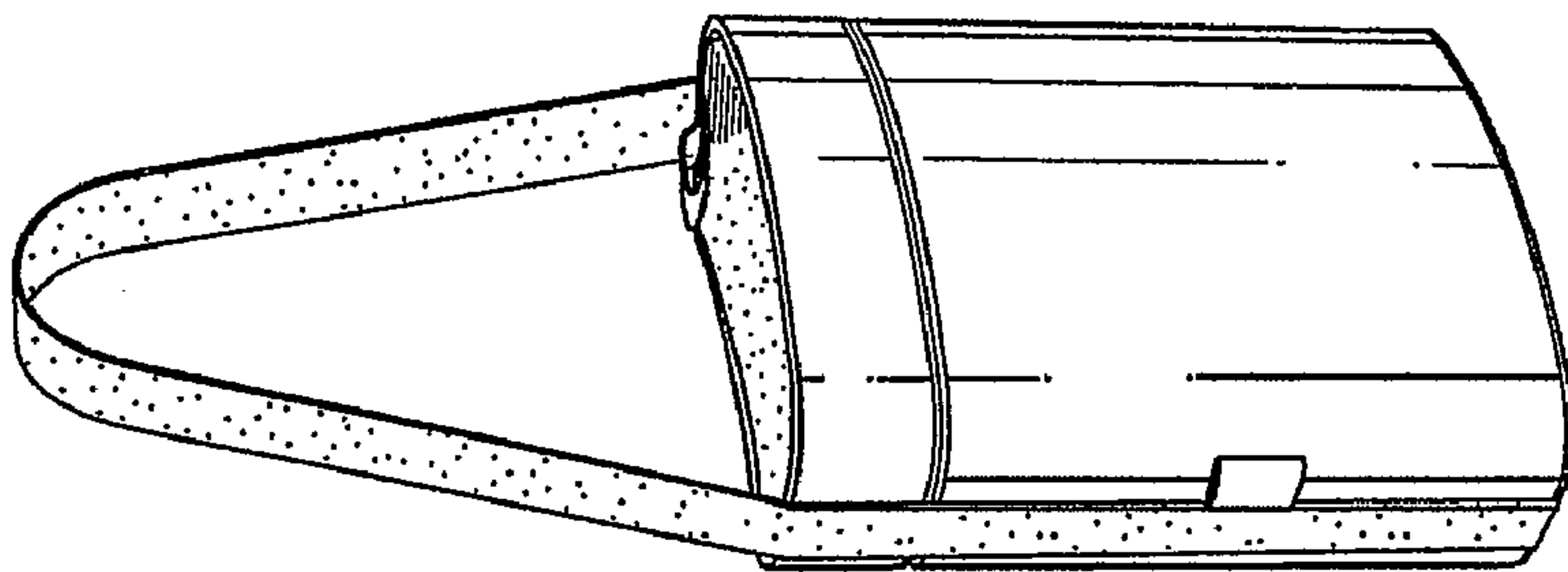


FIG. 7

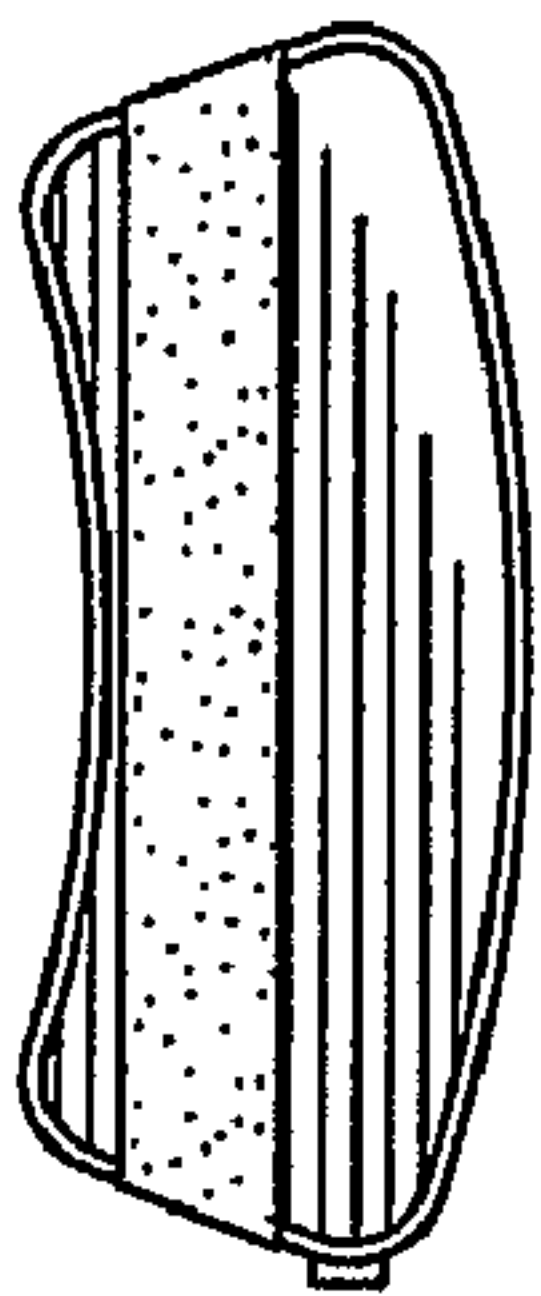


FIG. 8

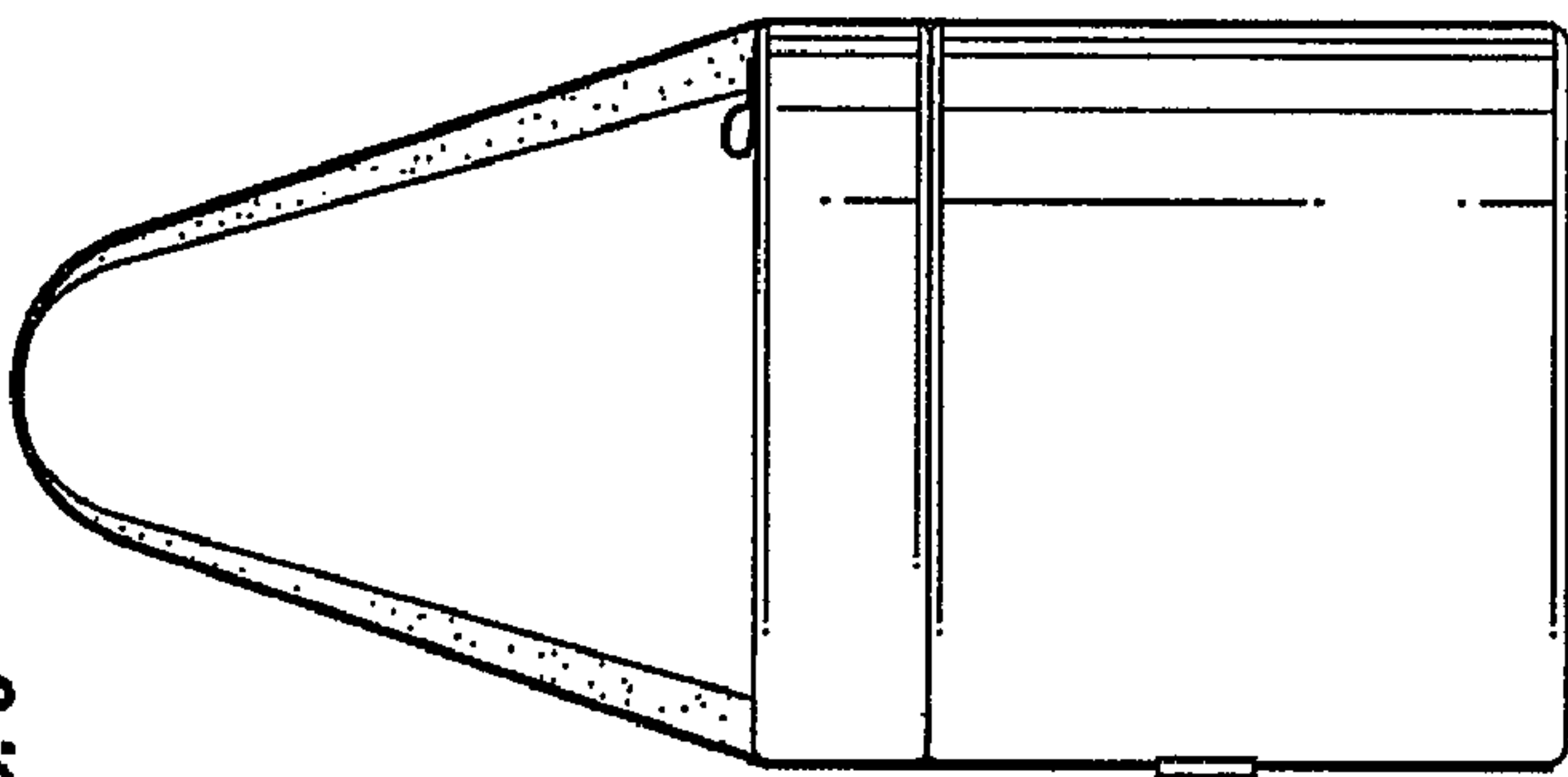


FIG. 10

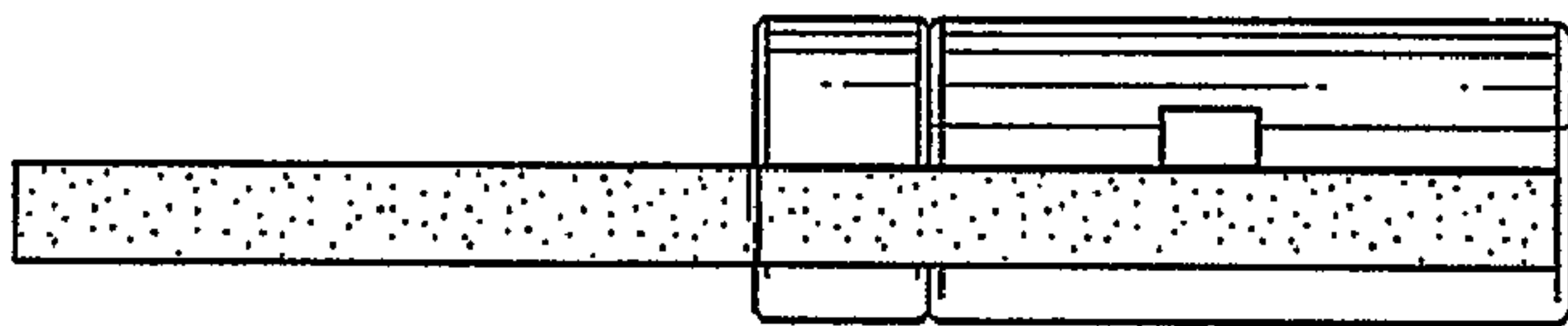


FIG. 12

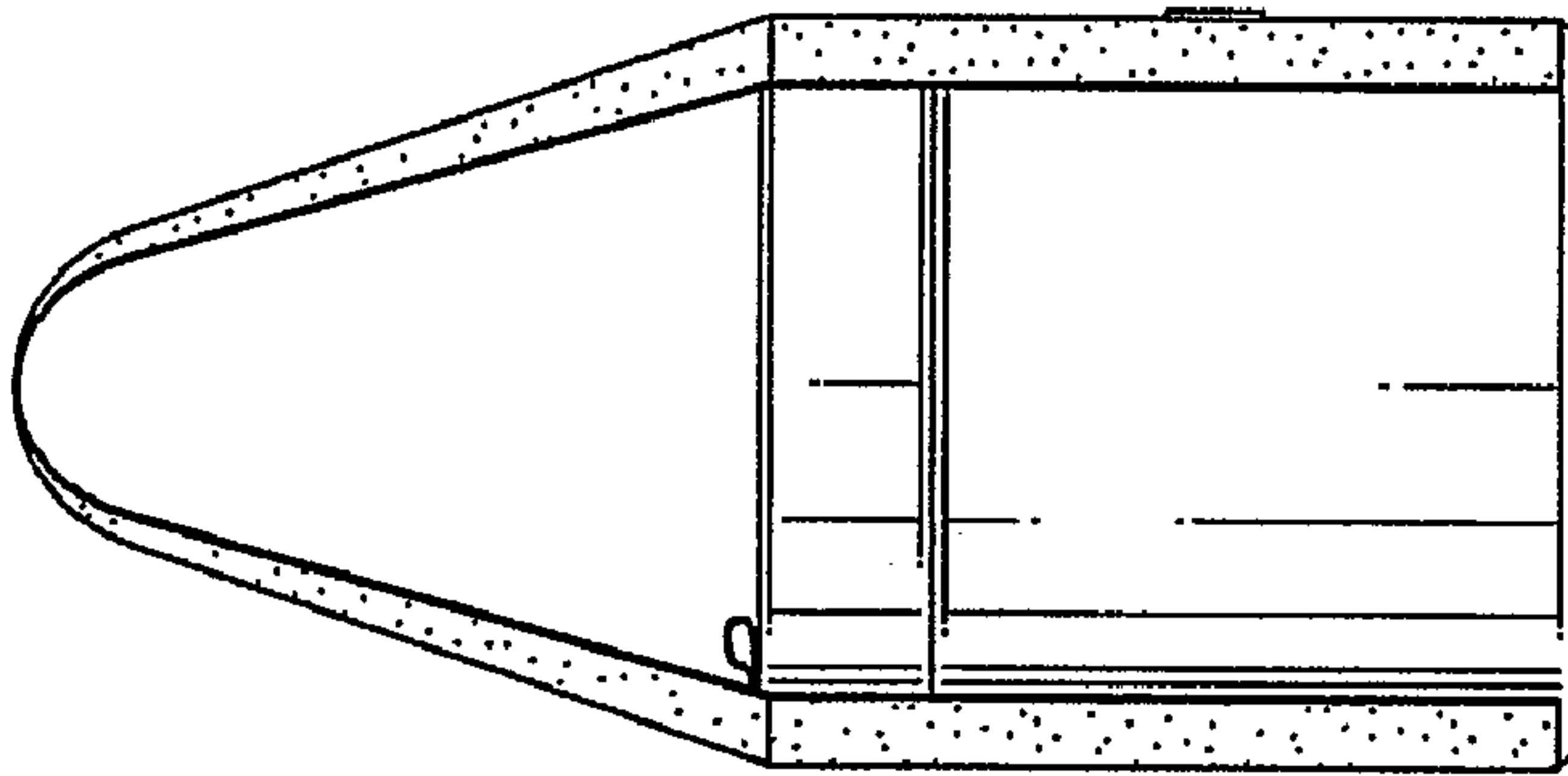


FIG. 11

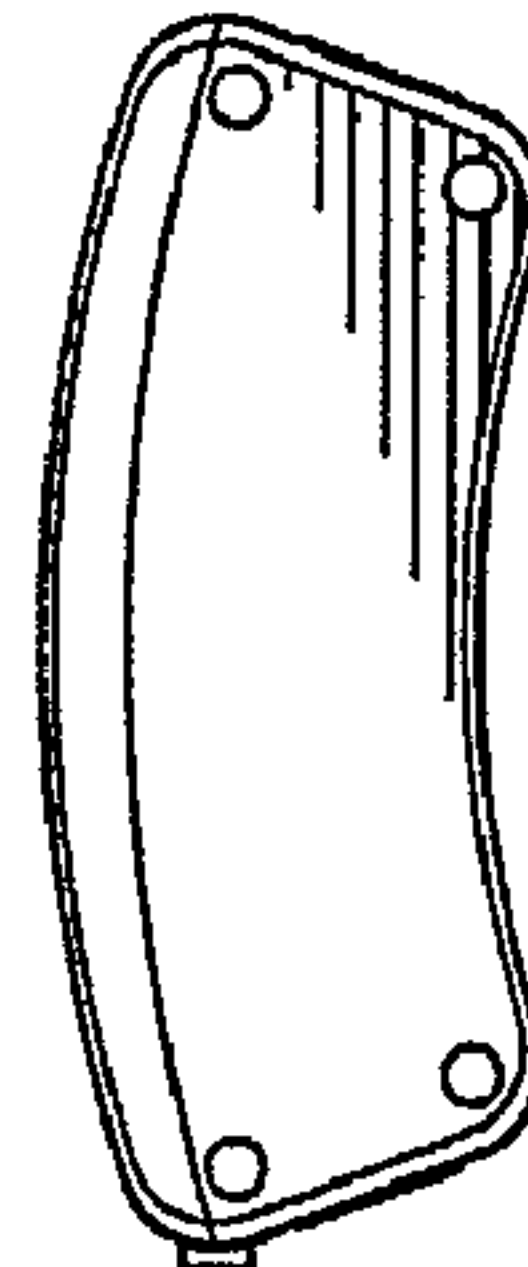


FIG. 9

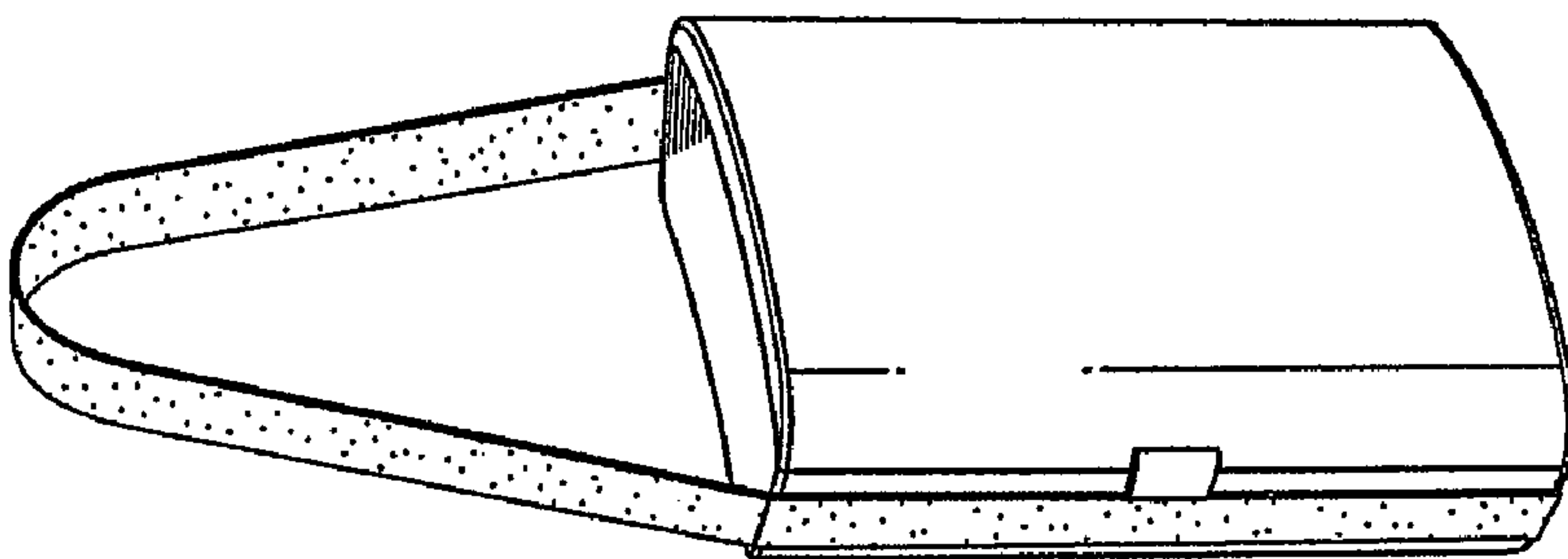


FIG. 13

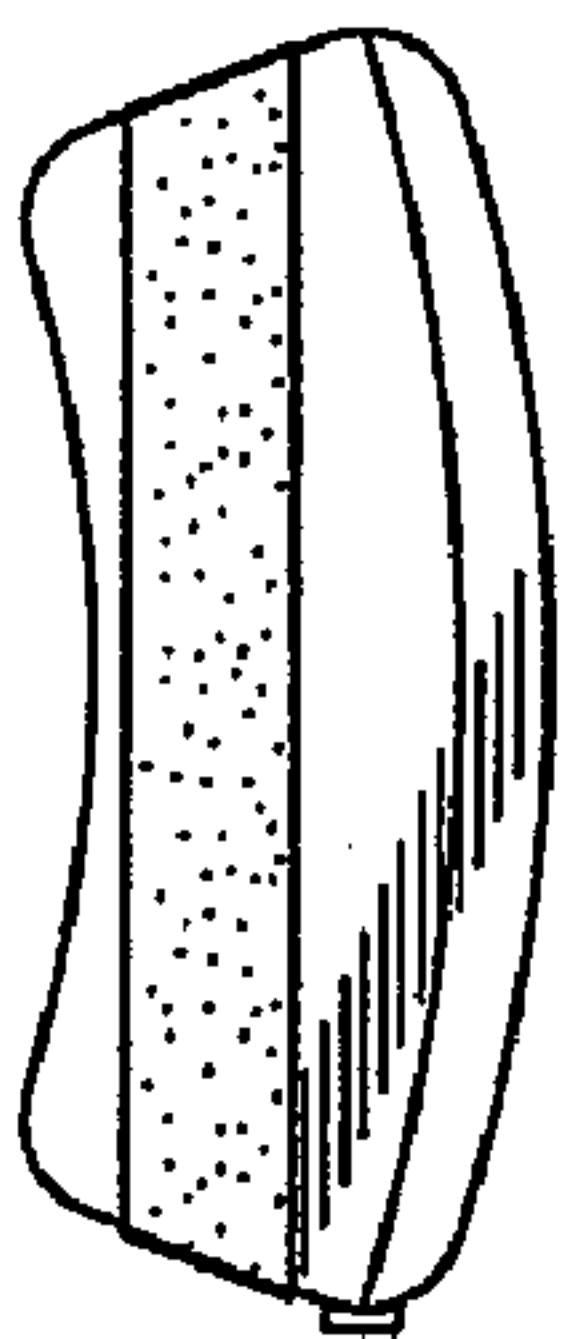


FIG. 14

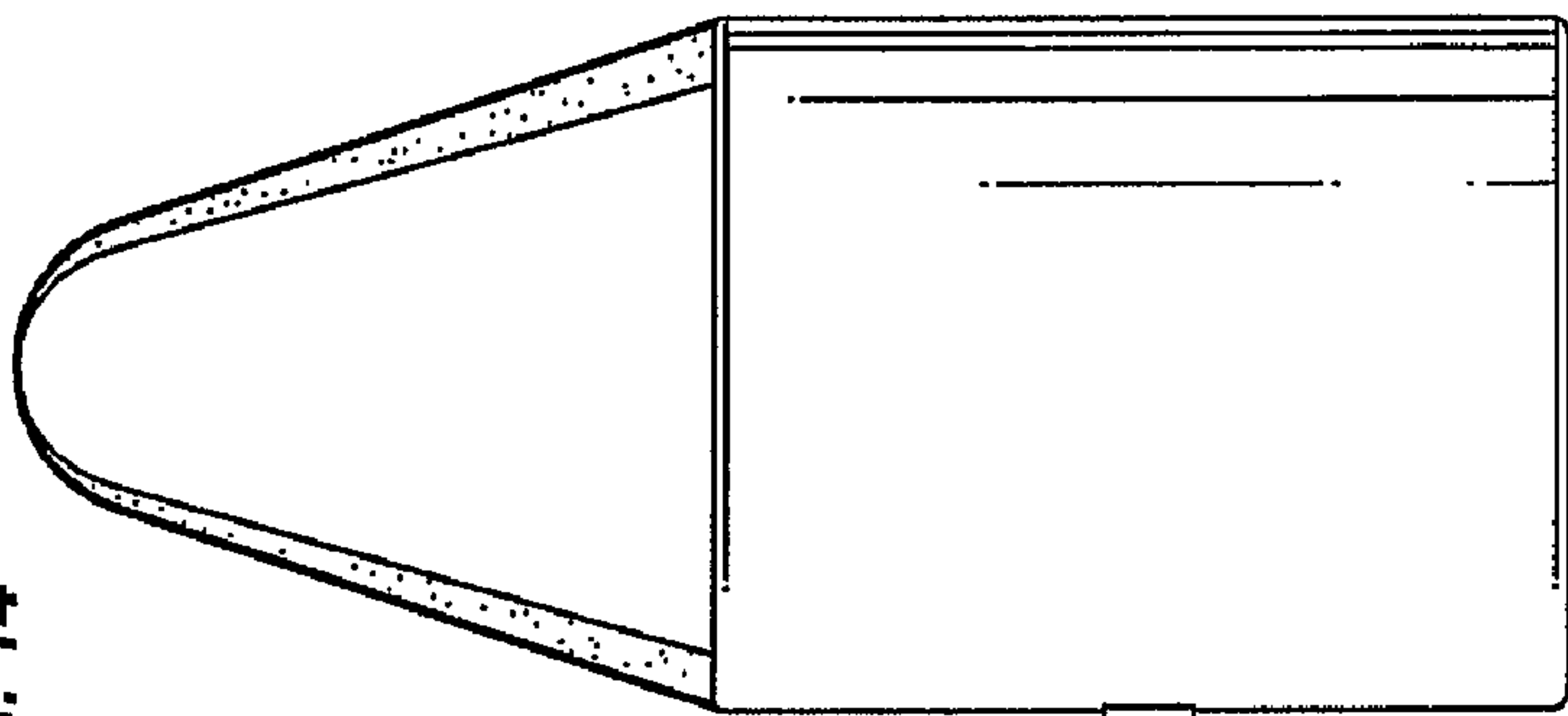


FIG. 16



FIG. 15

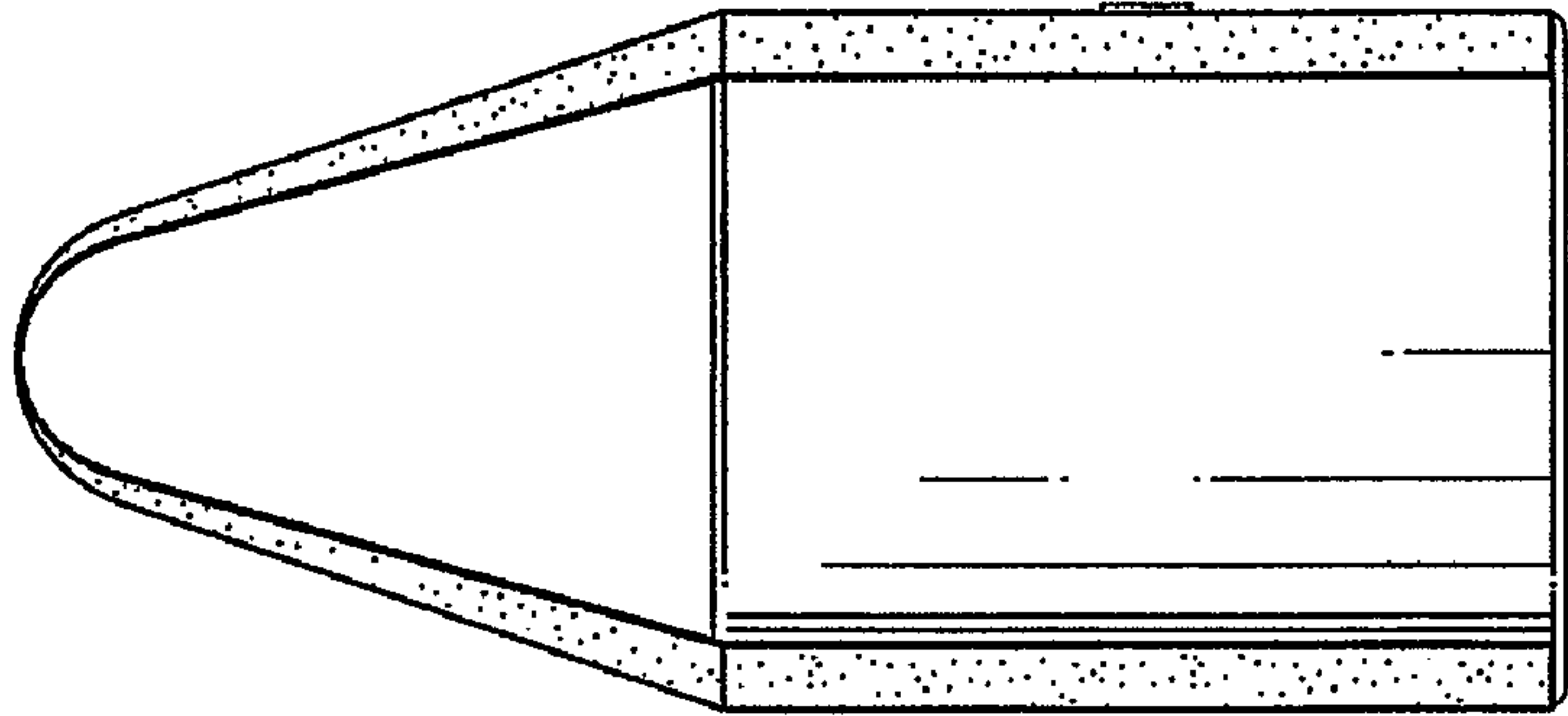


FIG. 17

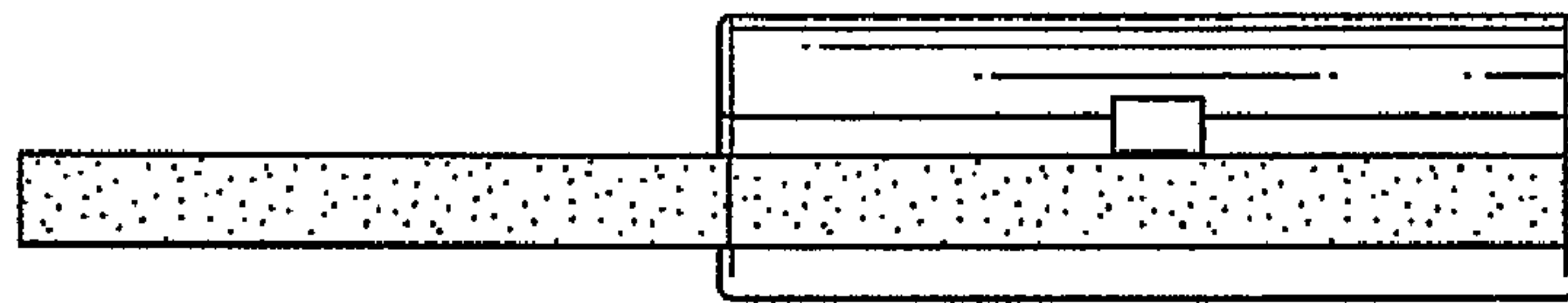


FIG. 18