



US00D597380S

(12) **United States Design Patent**  
**Epstein et al.**

(10) **Patent No.:** **US D597,380 S**

(45) **Date of Patent:** **\*\* Aug. 4, 2009**

(54) **TWO PIECE CONTAINER**

6,920,995 B2 \* 7/2005 Bowen et al. .... 220/592.1  
D550,044 S \* 9/2007 Curtin et al. .... D7/629

(75) Inventors: **Jordan Epstein**, Petaluma, CA (US);  
**Monique Epstein**, Mill Valley, CA (US)

\* cited by examiner

(73) Assignee: **Kraftware Corporation**, Roselle, NJ  
(US)

*Primary Examiner*—Terry A Wallace

(74) *Attorney, Agent, or Firm*—Dergosits & Noah LLP

(\*\*) Term: **14 Years**

(57) **CLAIM**

(21) Appl. No.: **29/302,143**

The ornamental design for a two piece container, as shown and described.

(22) Filed: **Jan. 10, 2008**

**DESCRIPTION**

(51) **LOC (9) Cl.** ..... **07-01**

FIG. 1 is a front, side perspective view of a two piece container showing my new design;

(52) **U.S. Cl.** ..... **D7/602**

FIG. 2 is side view of the two piece container of FIG. 1;

(58) **Field of Classification Search** ..... D7/601,  
D7/602, 612–615, 629, 538–542, 549; D9/425–432,  
D9/761; 220/574–575, 524, 702, 780–806,  
220/592.1

FIG. 3 is a rear side view of the two piece container of FIG. 1;

FIG. 4 is top view of the two piece container of FIG. 1;

See application file for complete search history.

FIG. 5 is a bottom view of the two piece container of FIG. 1;

FIG. 6 is a cross sectional view of the two piece container of FIG. 1; and,

FIG. 7 is a top perspective view of the two piece container of FIG. 1, inserted into another container.

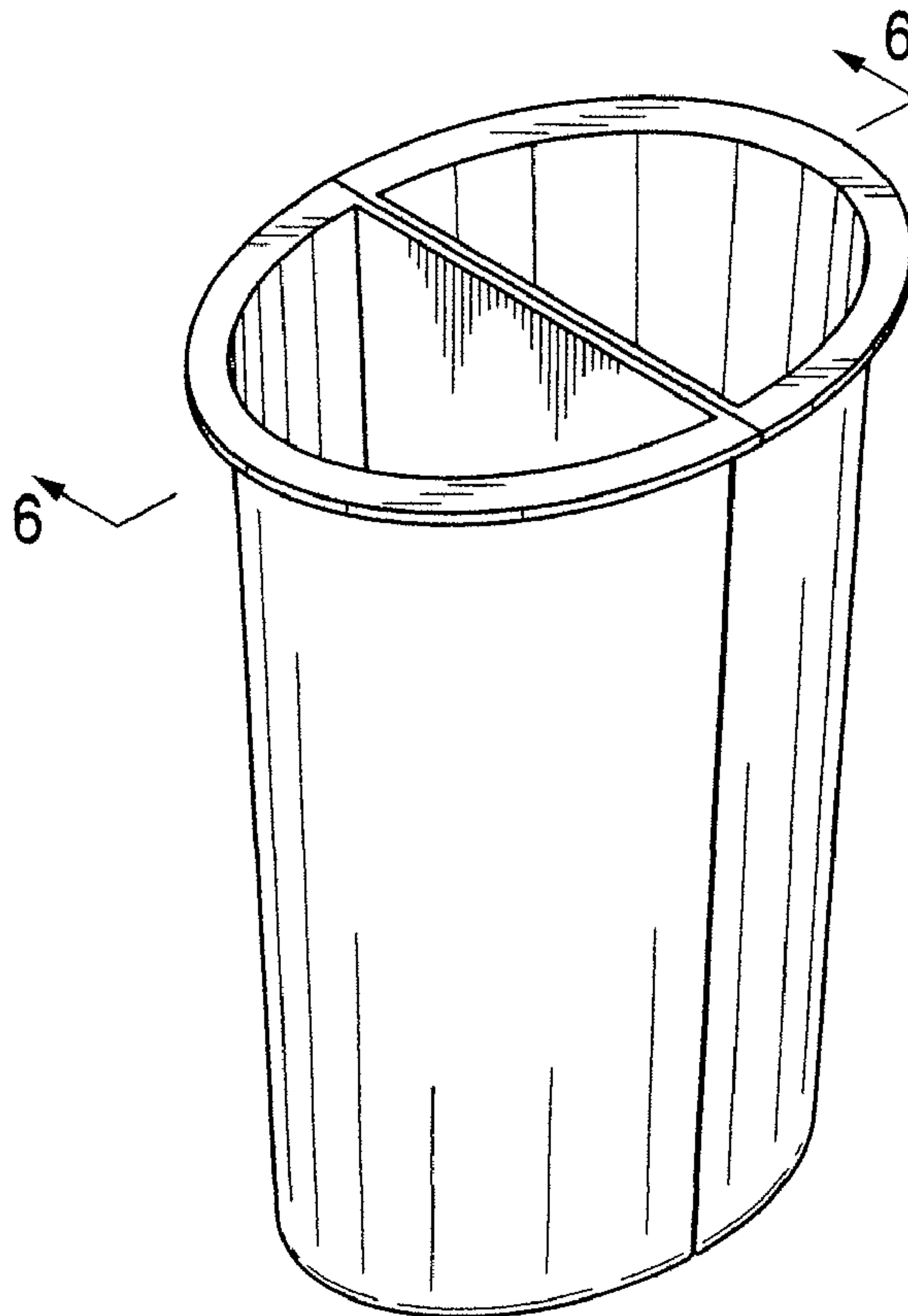
The broken lines are for illustrative purposes only and form no part of the claimed design.

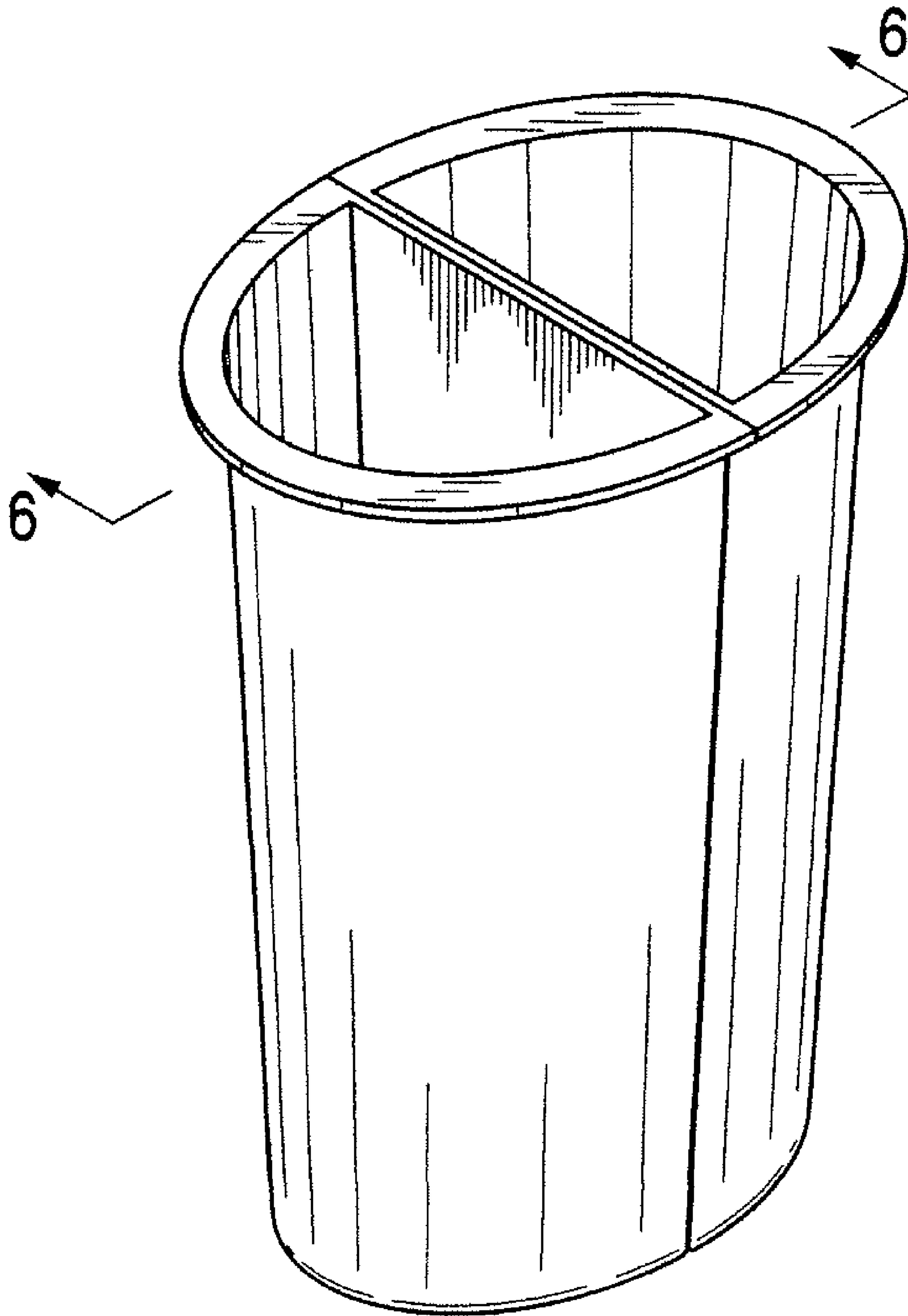
(56) **References Cited**

**U.S. PATENT DOCUMENTS**

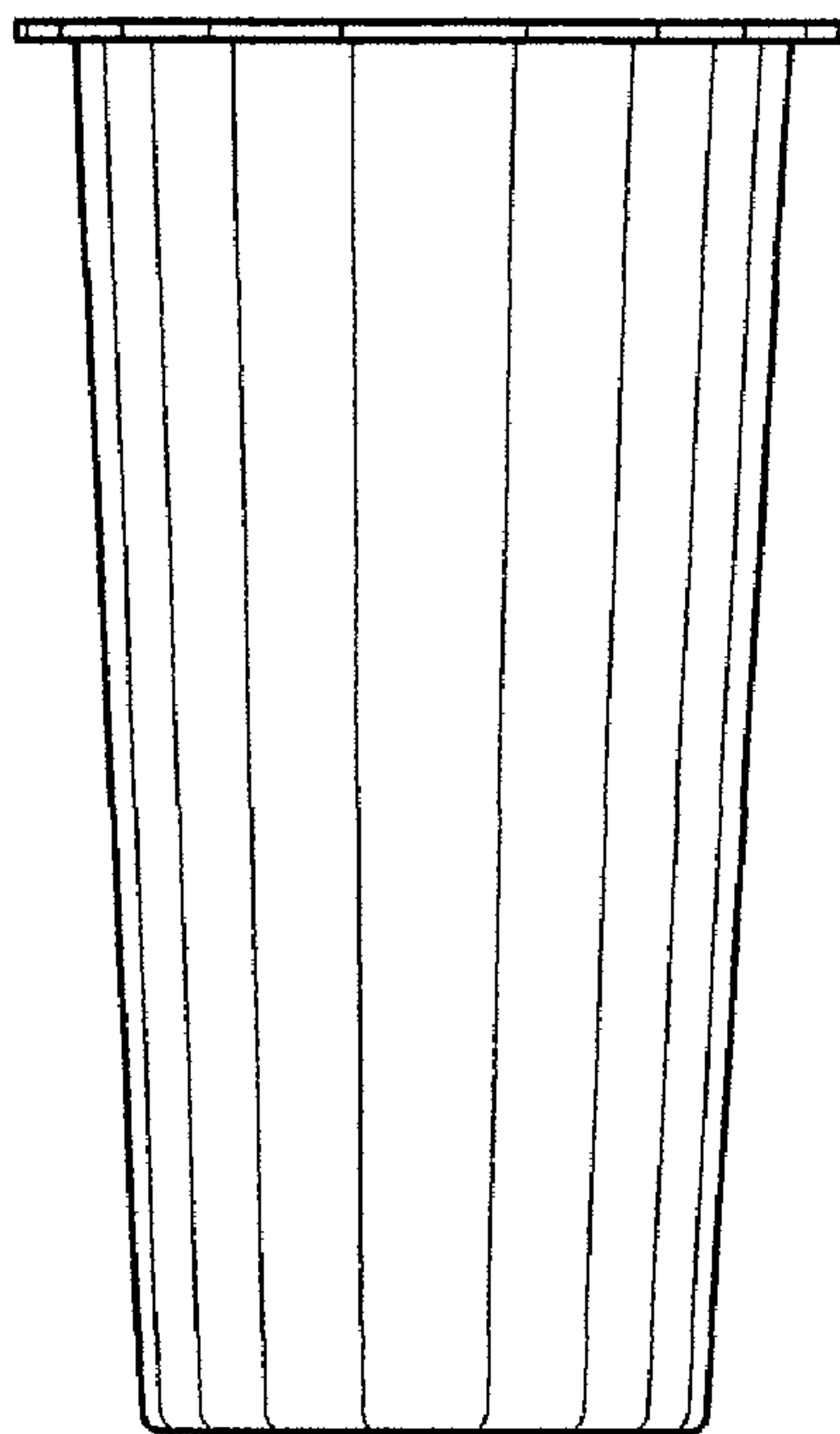
- 3,381,875 A \* 5/1968 Tunick ..... 220/524
- D246,560 S \* 12/1977 Beauchamp et al. .... D7/629
- 4,301,942 A \* 11/1981 Kupperman et al. .... 220/702
- 4,420,083 A \* 12/1983 Baustin ..... 220/531
- D372,170 S \* 7/1996 Ahern, Jr. .... D7/549
- 6,604,646 B2 \* 8/2003 Tornainen et al. .... 220/780

**1 Claim, 5 Drawing Sheets**

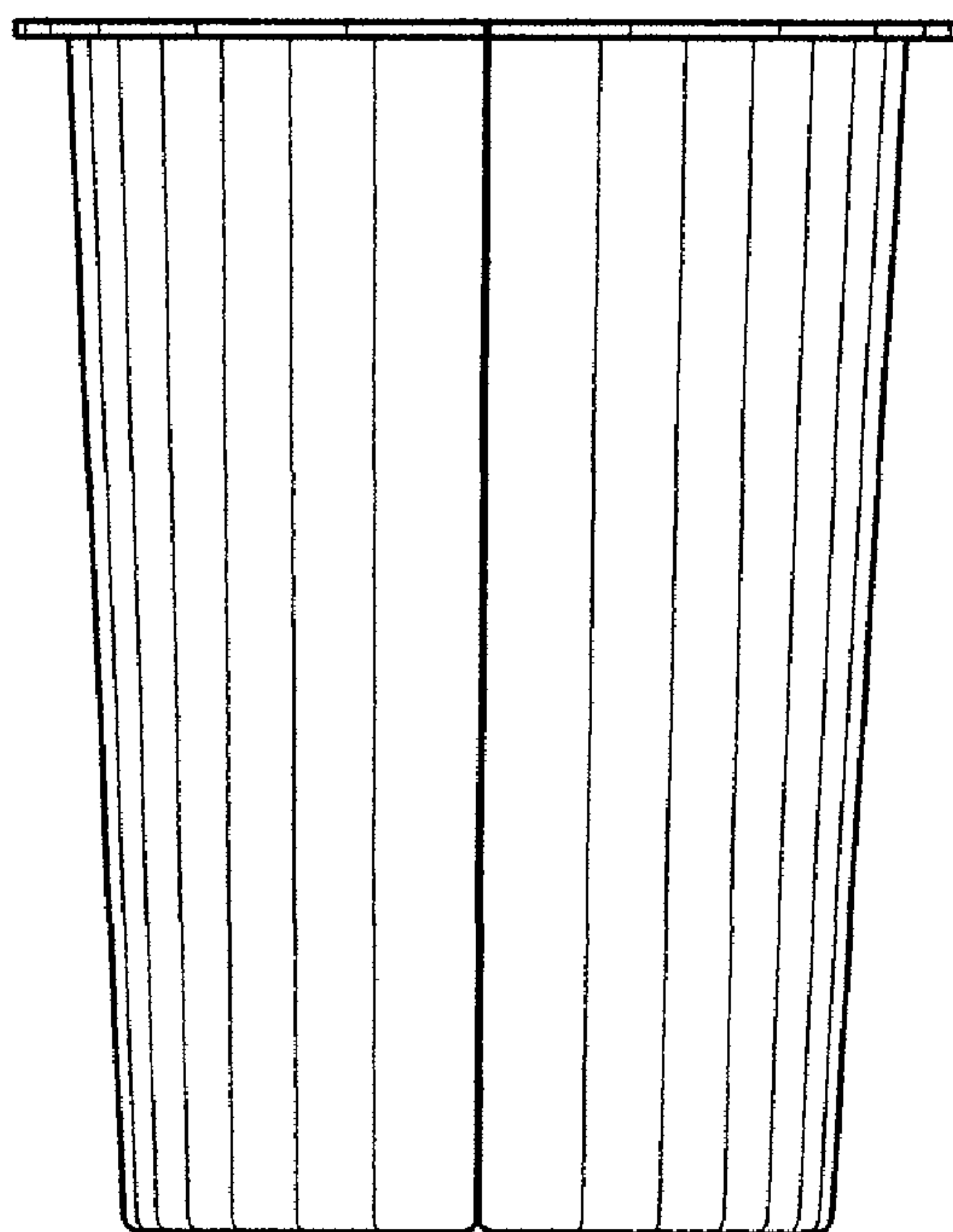




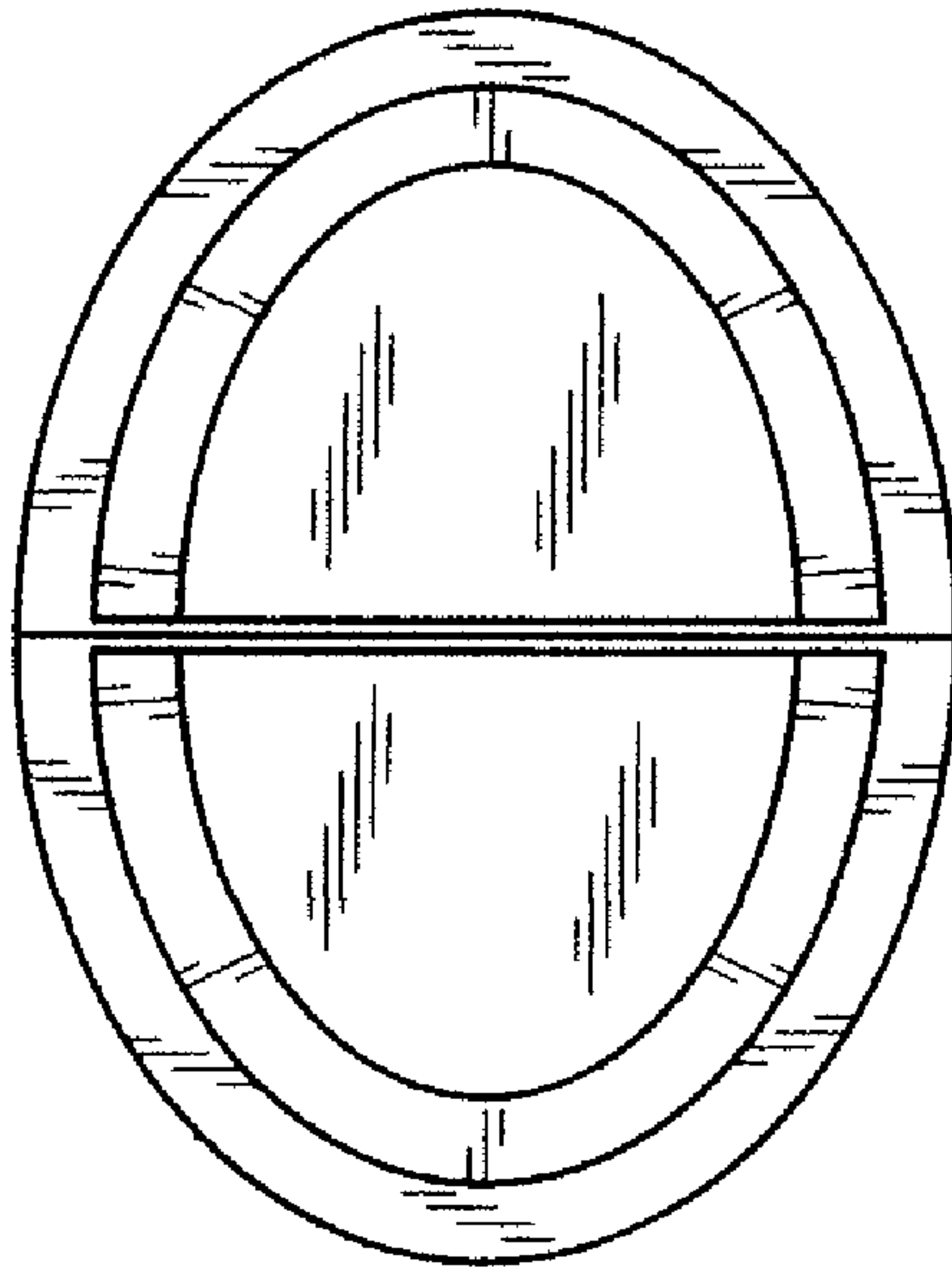
**FIG. 1**



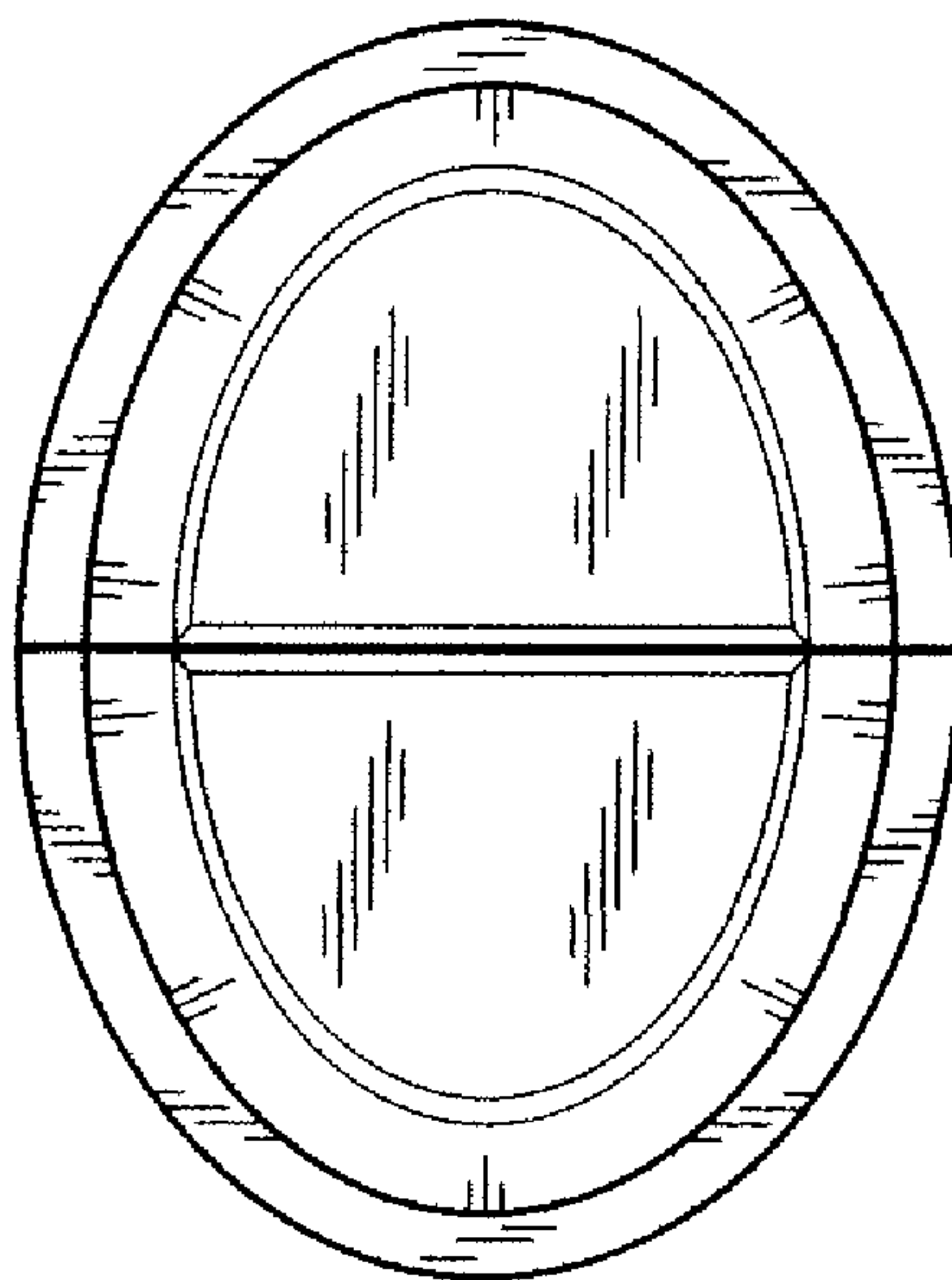
*FIG. 2*



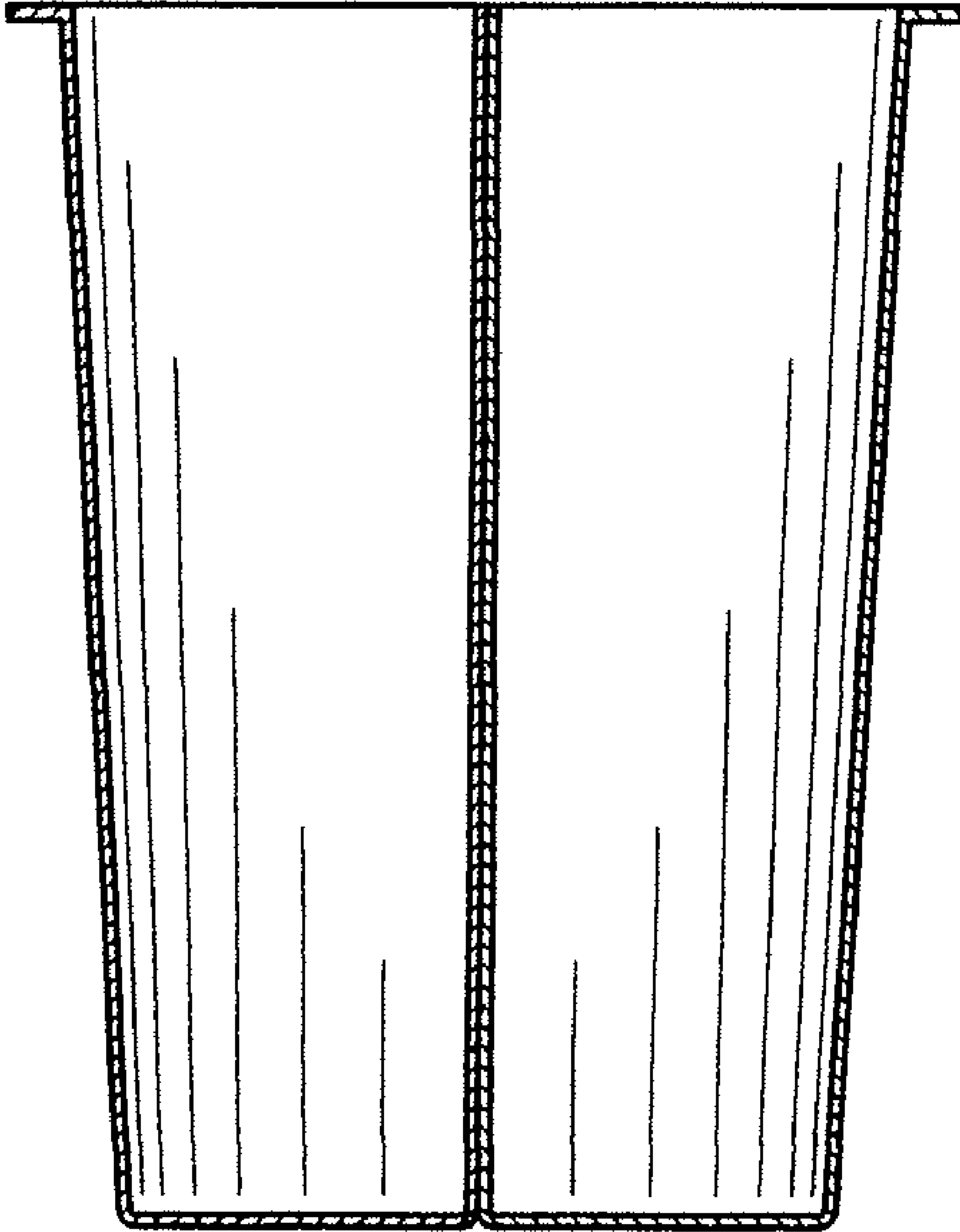
*FIG. 3*



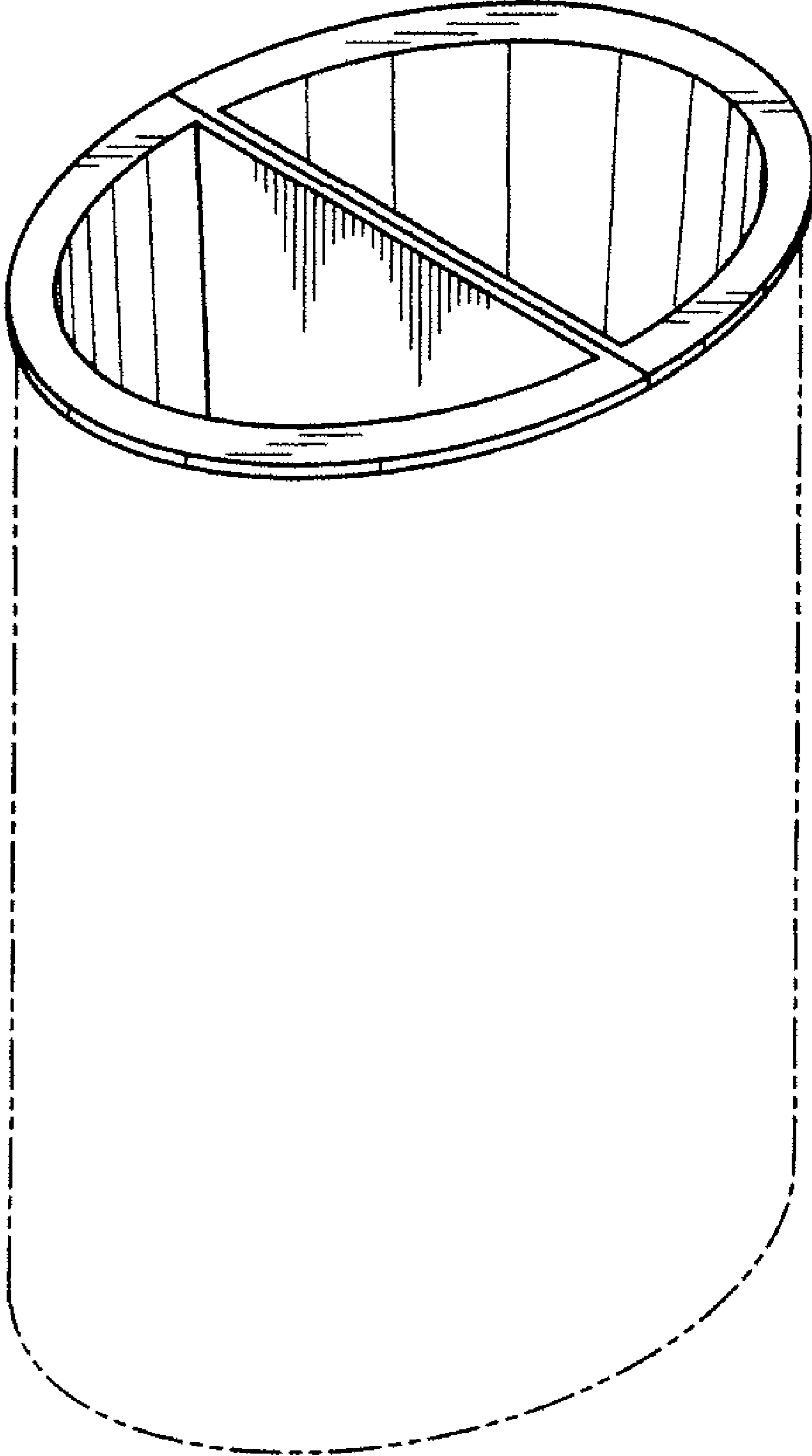
**FIG. 4**



**FIG. 5**



**FIG. 6**



**FIG. 7**