



US00D597378S

(12) **United States Design Patent**
Poindexter et al.

(10) **Patent No.:** **US D597,378 S**

(45) **Date of Patent:** **** Aug. 4, 2009**

(54) **MUG**

(75) Inventors: **Michael Poindexter**, New York, NY (US); **Eric Watts**, New York, NY (US)

(73) Assignee: **Punch Products USA, Inc.**, Rahway, NJ (US)

(**) Term: **14 Years**

(21) Appl. No.: **29/326,660**

(22) Filed: **Oct. 22, 2008**

(51) **LOC (9) Cl.** **07-01**

(52) **U.S. Cl.** **D7/536**

(58) **Field of Classification Search** D7/507-515, D7/523, 531, 532, 536, 533; 220/703, 592.16, 220/592.17, 707, 711; 62/457.3; 215/383
See application file for complete search history.

(56) **References Cited**

U.S. PATENT DOCUMENTS

D184,518 S * 3/1959 Jones D7/536
D202,643 S * 10/1965 Smith D7/536
D316,009 S * 4/1991 Scherer D7/536

D320,139 S * 9/1991 Wonder D7/536
D445,646 S * 7/2001 Indekeu D7/536
D518,999 S * 4/2006 Laib D7/536
D557,564 S * 12/2007 Bodum D7/536
D569,191 S * 5/2008 Germany D7/536

* cited by examiner

Primary Examiner—Marianne Pandozzi

(74) *Attorney, Agent, or Firm*—Baker Botts L.L.P.

(57) **CLAIM**

The ornamental design for a mug, as shown and described.

DESCRIPTION

FIG. 1 is a perspective view of a mug.

FIG. 2 is a front view of the mug of FIG. 1.

FIG. 3 is a rear view of the mug of FIG. 1.

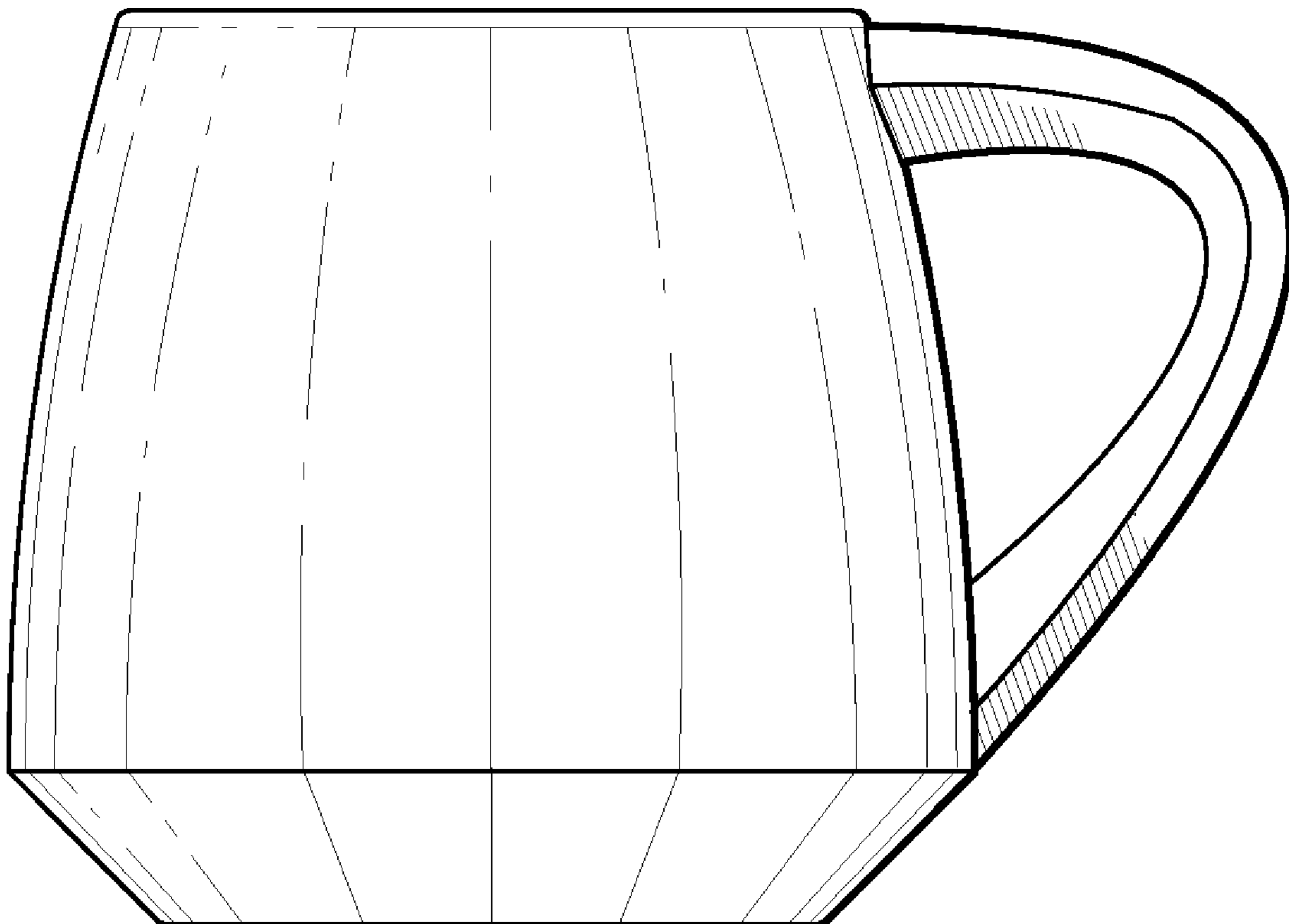
FIG. 4 is a right side view of the mug of FIG. 1.

FIG. 5 is a left side view of the mug of FIG. 1.

FIG. 6 is a top view of the mug of FIG. 1; and,

FIG. 7 is a bottom view of the mug of FIG. 1.

1 Claim, 6 Drawing Sheets



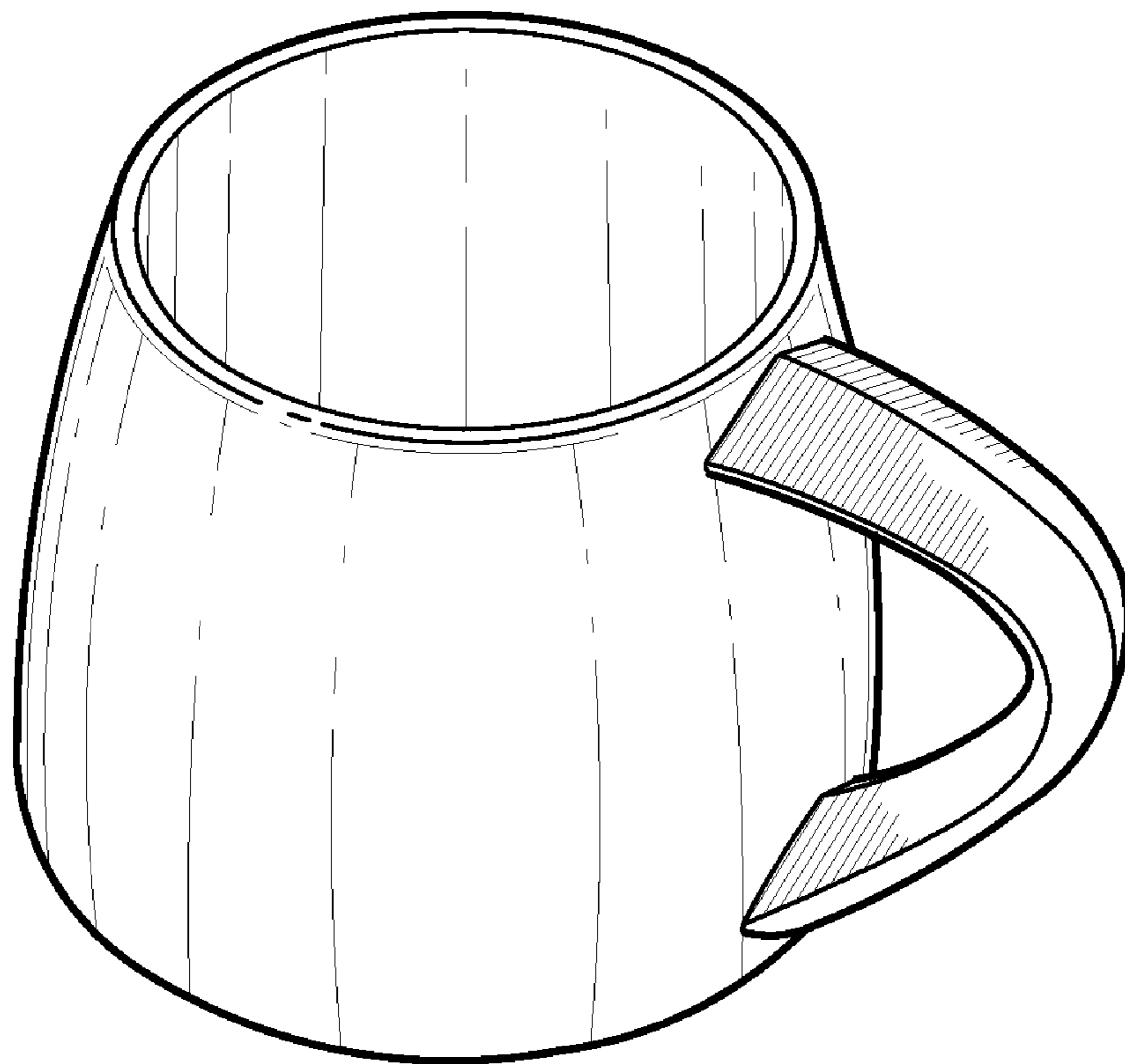


FIG. 1

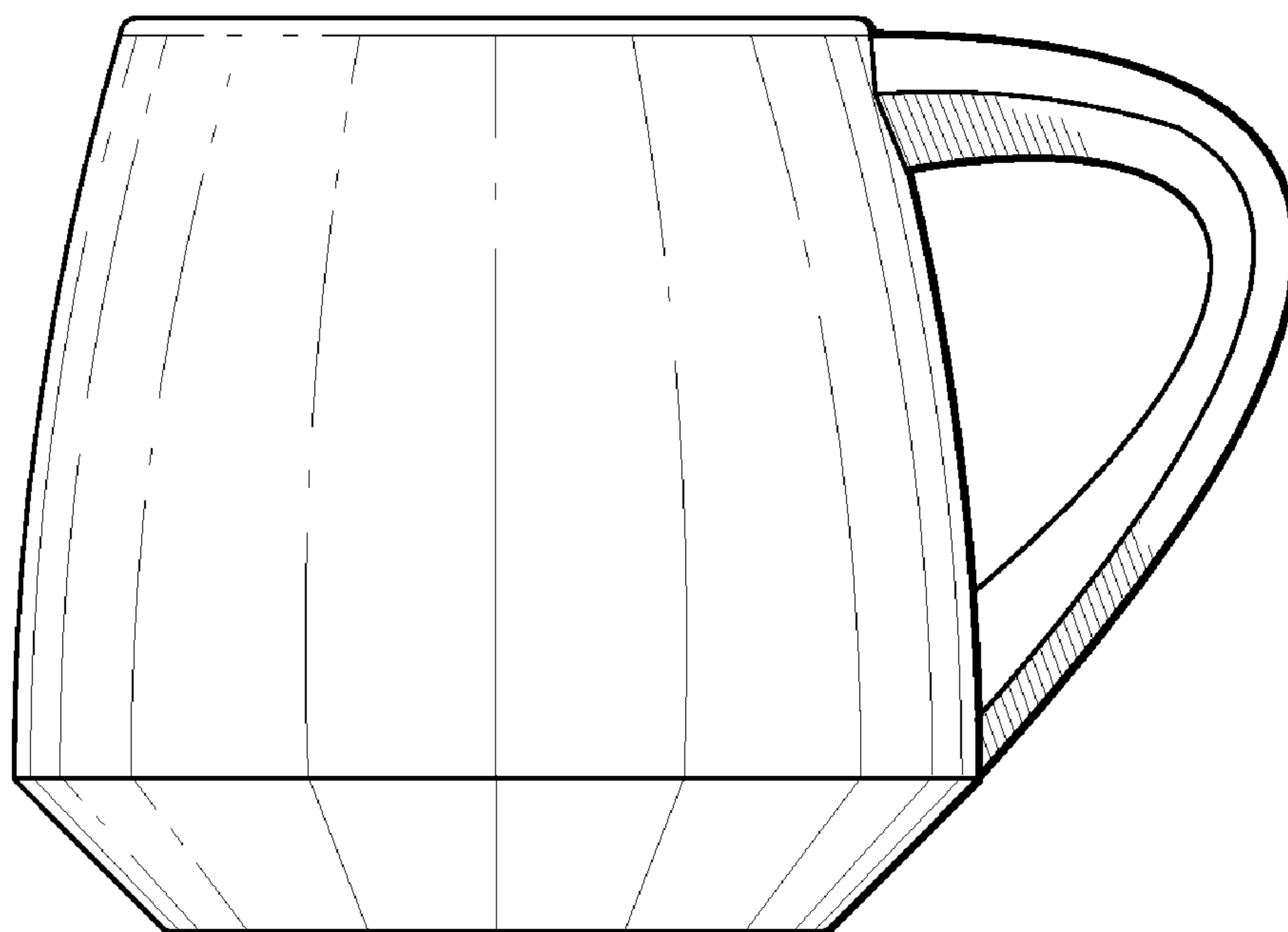


FIG. 2

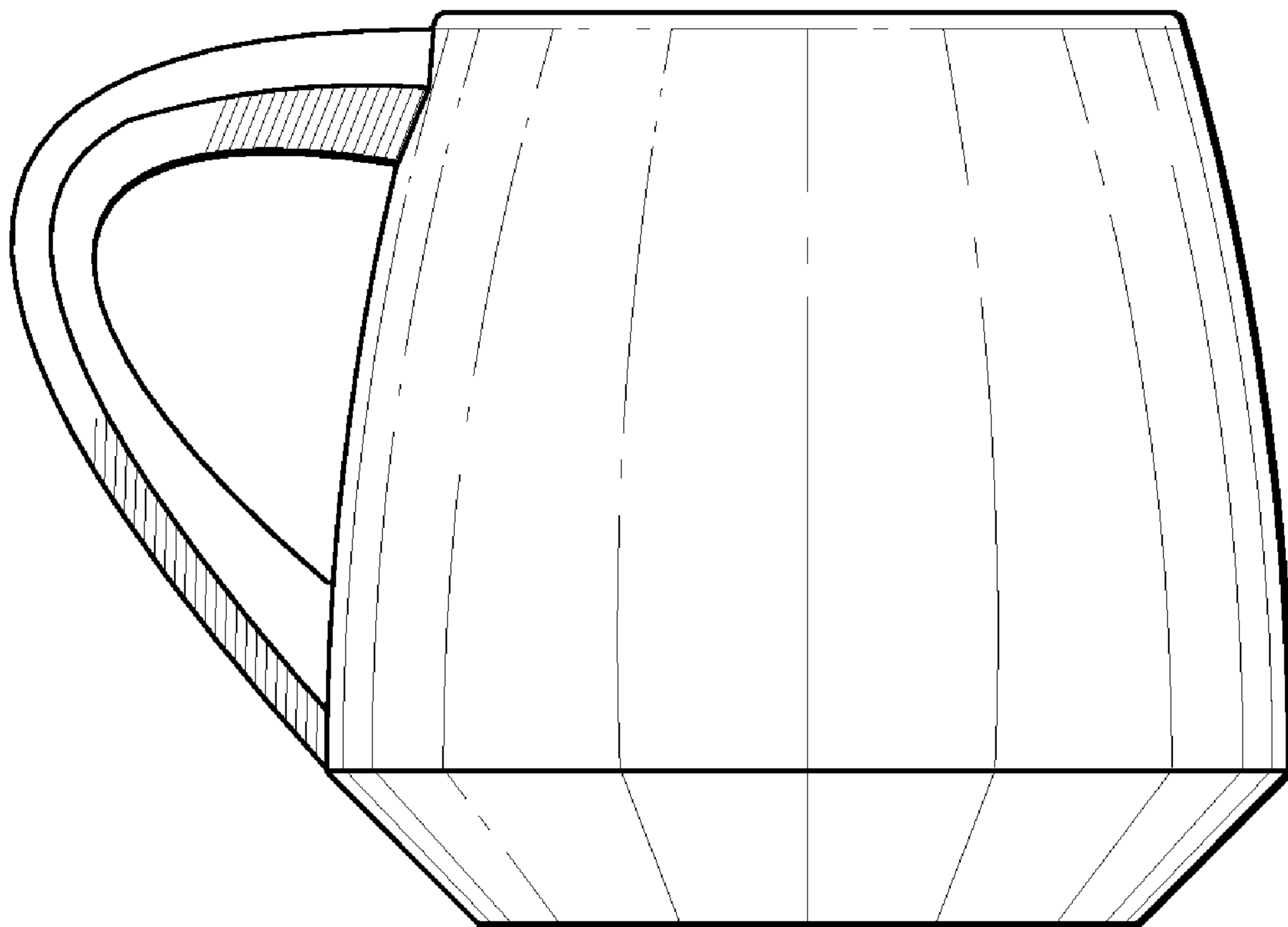


FIG. 3

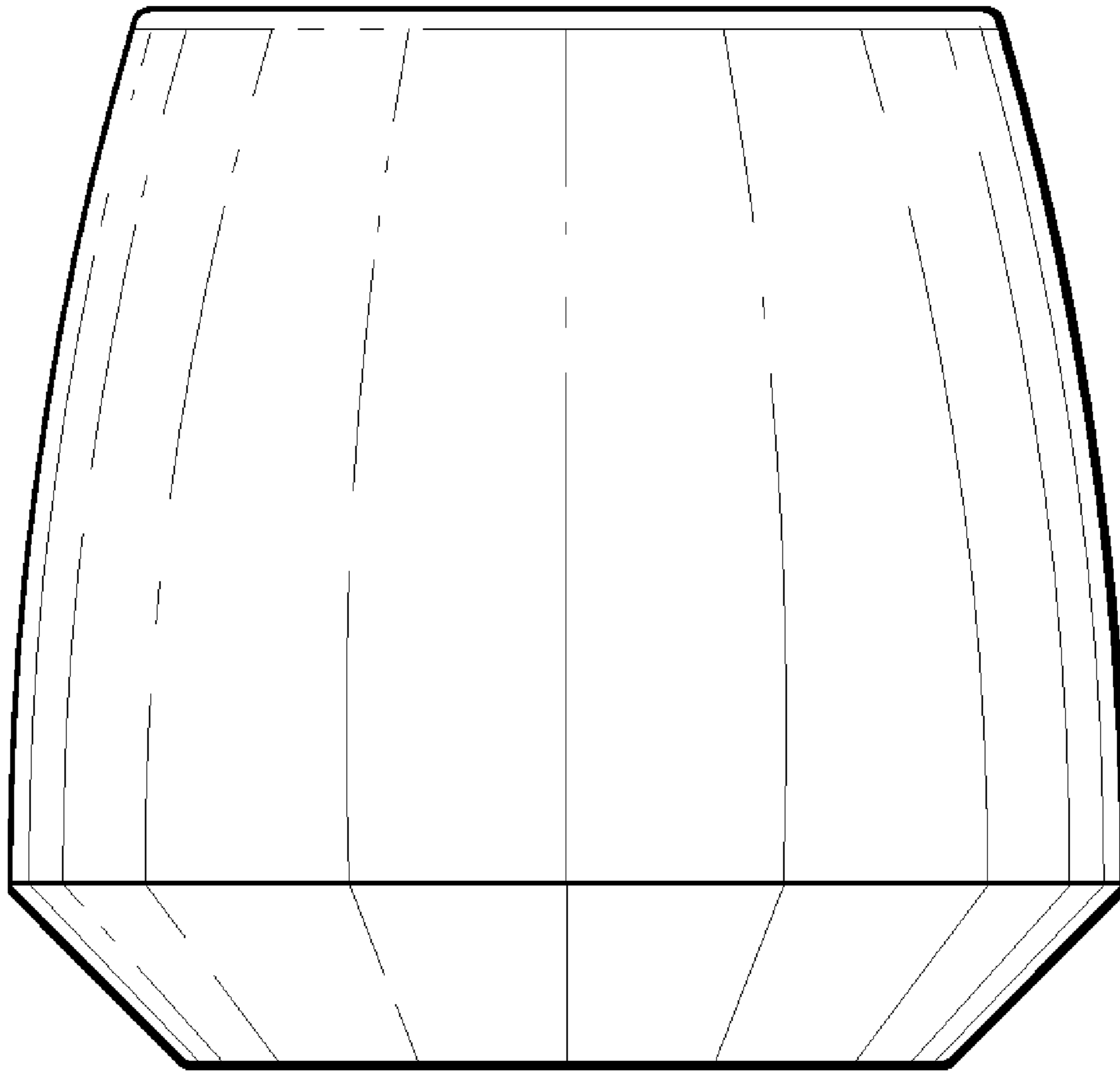


FIG.4

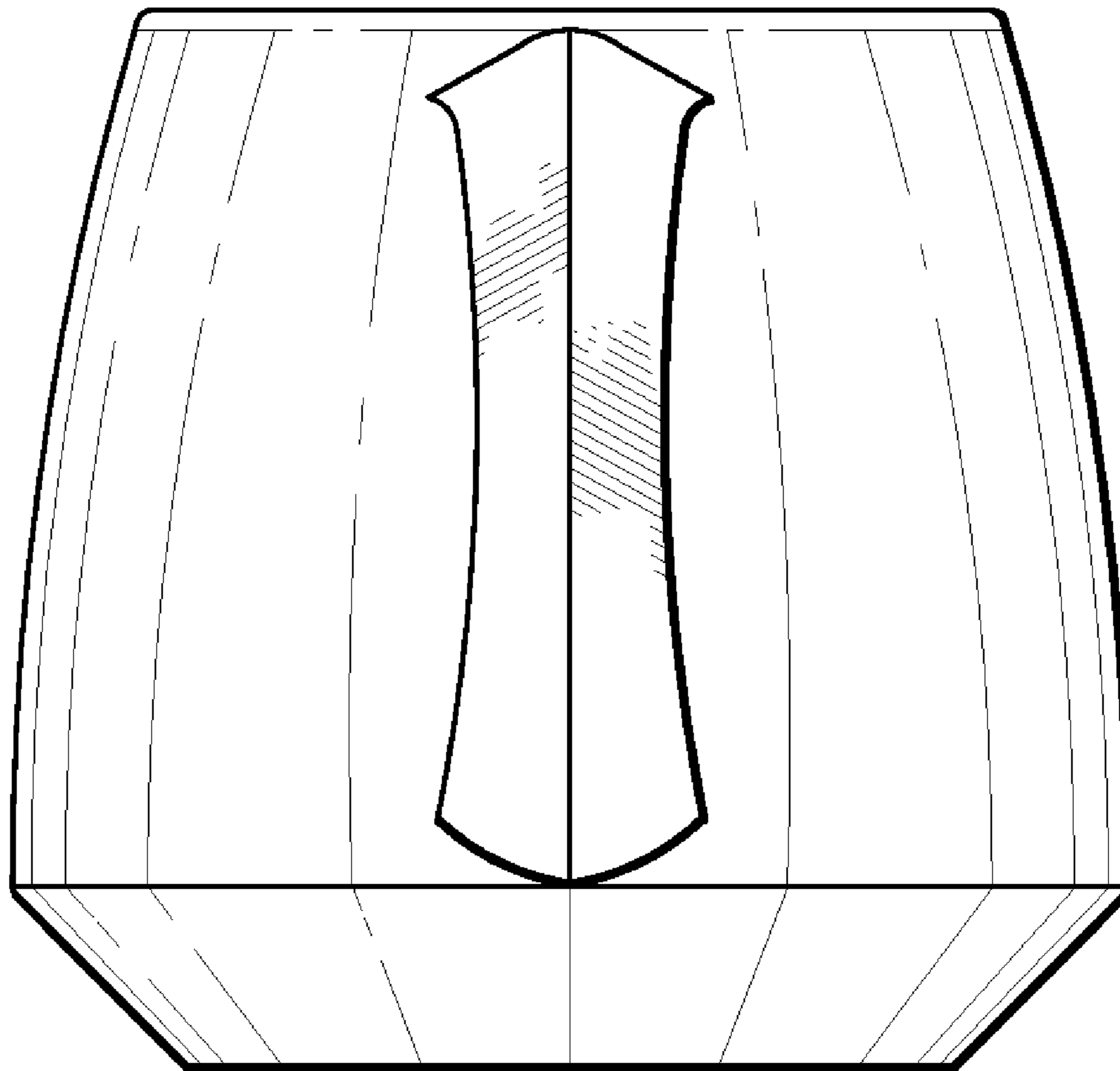


FIG. 5

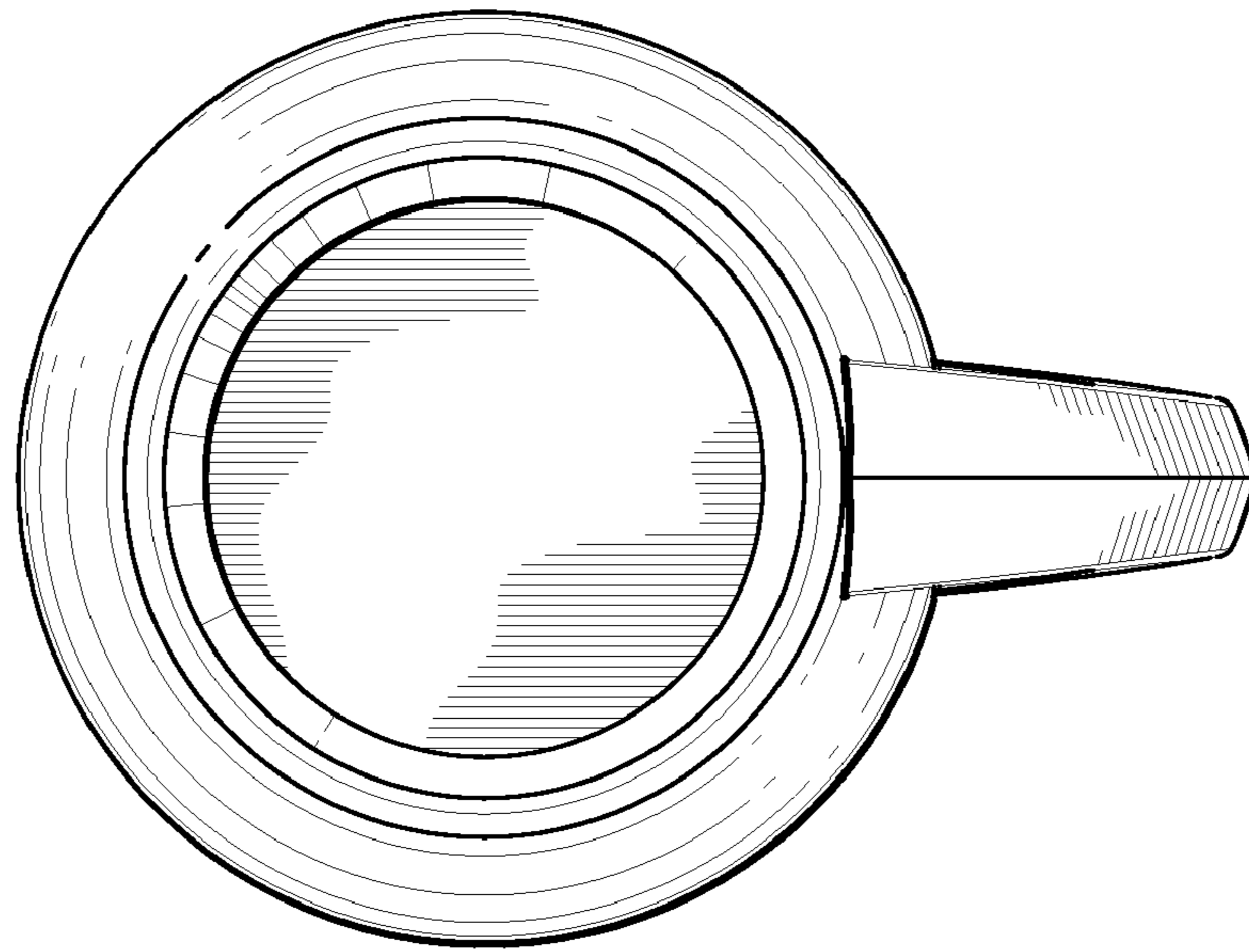


FIG. 6

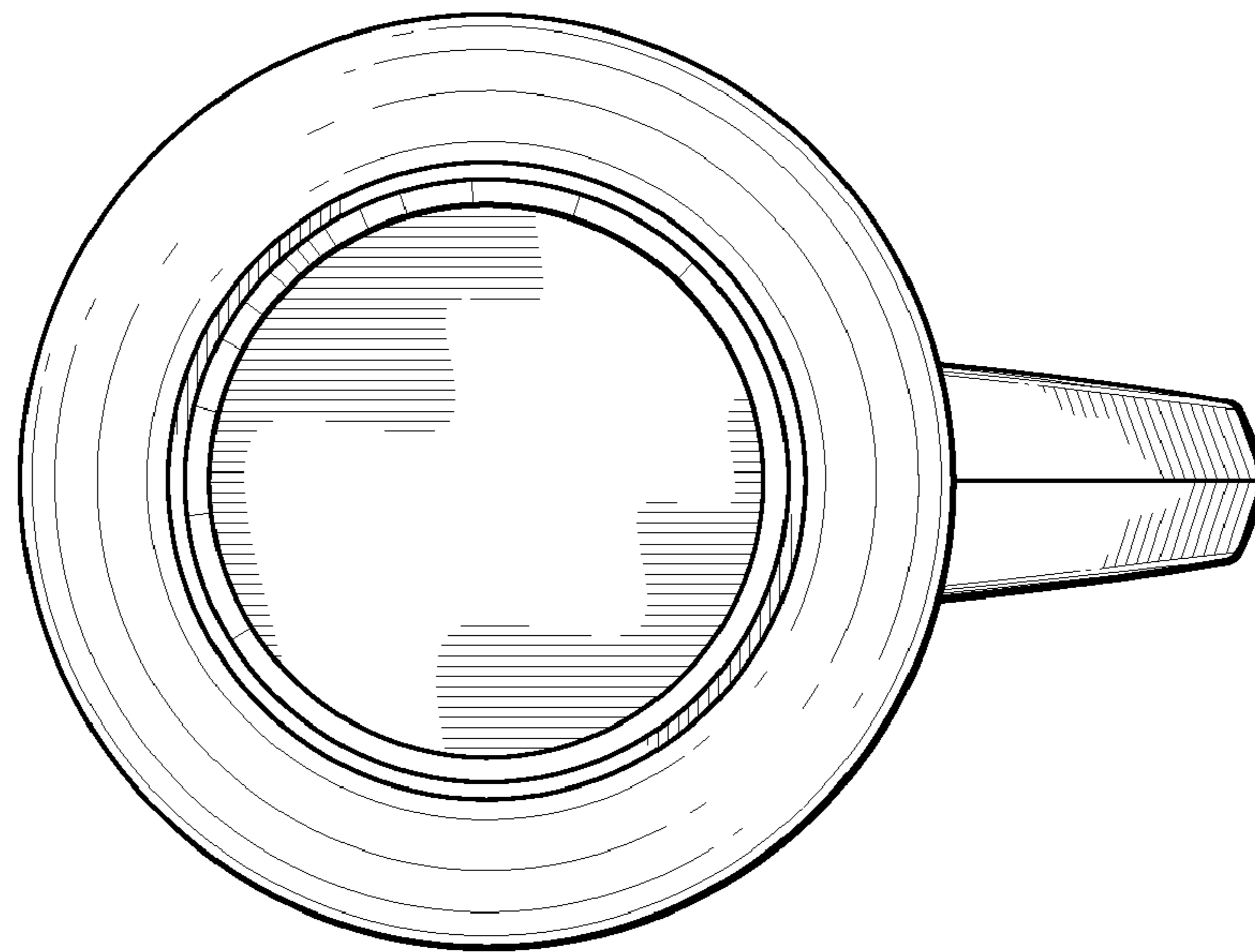


FIG. 7