



US00D597375S

(12) **United States Design Patent**  
**Wroblewski**

(10) **Patent No.:** **US D597,375 S**

(45) **Date of Patent:** **\*\* Aug. 4, 2009**

(54) **SET OF INTERLOCKING MUGS**

(76) **Inventor:** **Mariusz Wroblewski**, 72 Hill Station Rd., Southampton, NY (US) 11968

(\*\*) **Term:** **14 Years**

(21) **Appl. No.:** **29/310,300**

(22) **Filed:** **Aug. 8, 2008**

(51) **LOC (9) Cl.** ..... **07-01**

(52) **U.S. Cl.** ..... **D7/505; D7/536**

(58) **Field of Classification Search** ..... D7/505, D7/536, 547, 600, 533, 509, 500, 538, 510, D7/511, 602, 523, 300, 532, 622; D9/424-432; 222/205; 215/387, DIG. 7, 396; 220/703, 220/592.16, 592.17, 758

See application file for complete search history.

(56) **References Cited**

**U.S. PATENT DOCUMENTS**

D16,522 S *	2/1886	Scanlon	.....	D18/32
D158,558 S *	5/1950	Denn et al.	.....	D7/536
2,892,540 A *	6/1959	Tupper	.....	206/427
4,230,235 A *	10/1980	Di Amico	.....	220/710.5
D292,157 S *	10/1987	Robinson	.....	D7/505
D293,640 S *	1/1988	Perry et al.	.....	D7/553.6
4,907,719 A *	3/1990	Spotholz et al.	.....	222/1
D309,545 S *	7/1990	Ancona et al.	.....	D7/507
D345,674 S *	4/1994	Charland	.....	D7/507

D345,675 S *	4/1994	Charland	.....	D7/536
D347,547 S *	6/1994	Heinrich	.....	D7/533
D351,315 S *	10/1994	van Stolk	.....	D7/536
D439,304 S *	3/2001	Tilp et al.	.....	D23/209
D479,692 S *	9/2003	Nilsson	.....	D10/46.2
D491,063 S *	6/2004	Hicks et al.	.....	D9/443
D532,082 S *	11/2006	Cimbura	.....	D23/233
D583,625 S *	12/2008	Martinez et al.	.....	D7/507

\* cited by examiner

*Primary Examiner*—Robert M Spear

*Assistant Examiner*—Cynthia Underwood

(57) **CLAIM**

I claim the original design for a “set of interlocking mugs,” as shown.

**DESCRIPTION**

FIG. 1 is a side view of the single mug from FIG. 5

FIG. 2 is a top view of the single mug from FIG. 5

FIG. 3 is a bottom view of a single mug from the set, 5 all other mugs being identical with the sole exception of the color;

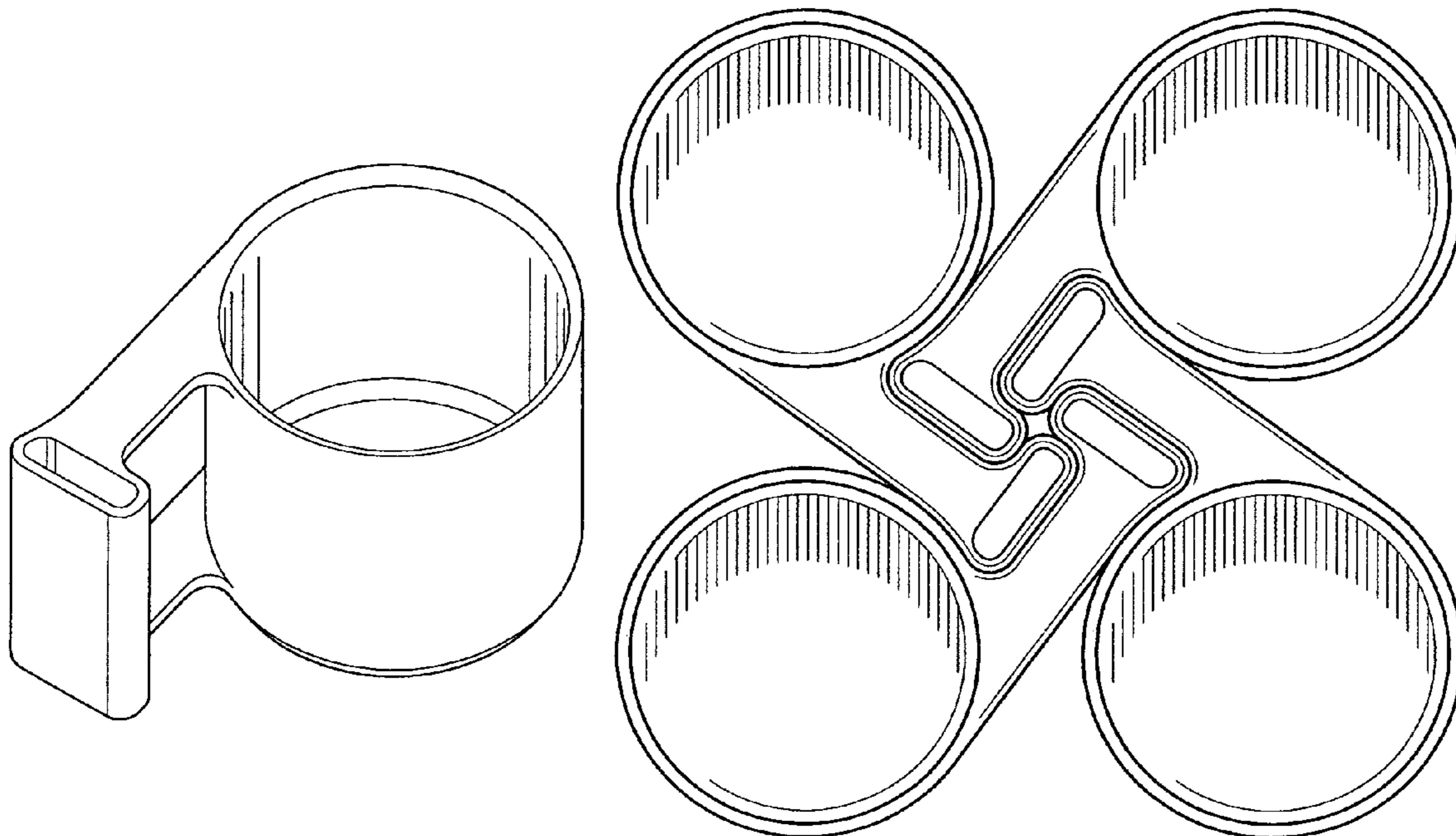
FIG. 4 is a perspective view of the single mug from FIG. 5

FIG. 5 is a top view of the set in an assembled state; and,

FIG. 6 is a perspective view of the set in an assembled state.

The broken line showing of the logo in FIG. 3 forms no part of the claim.

**1 Claim, 2 Drawing Sheets**



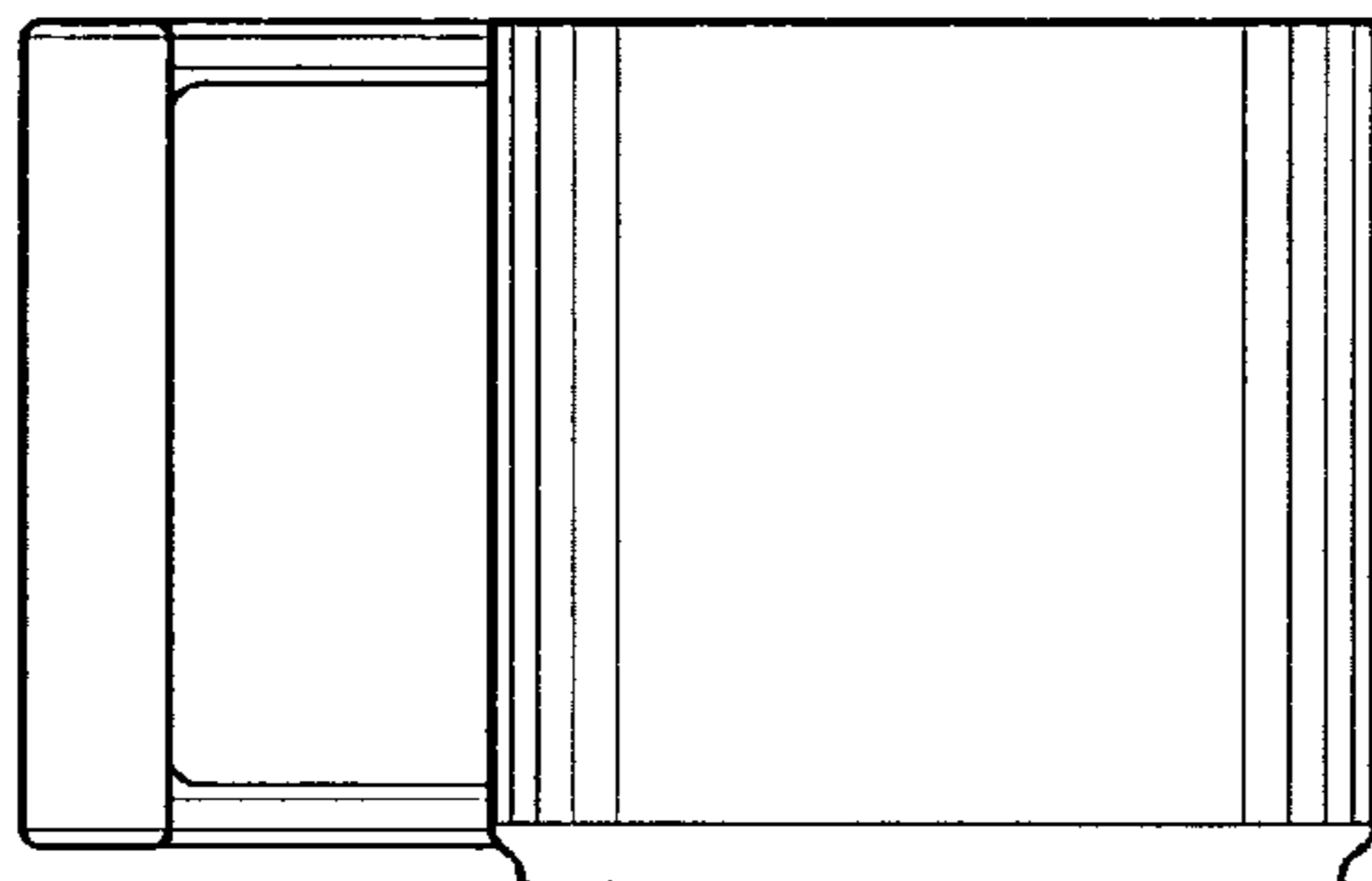


FIG. 1

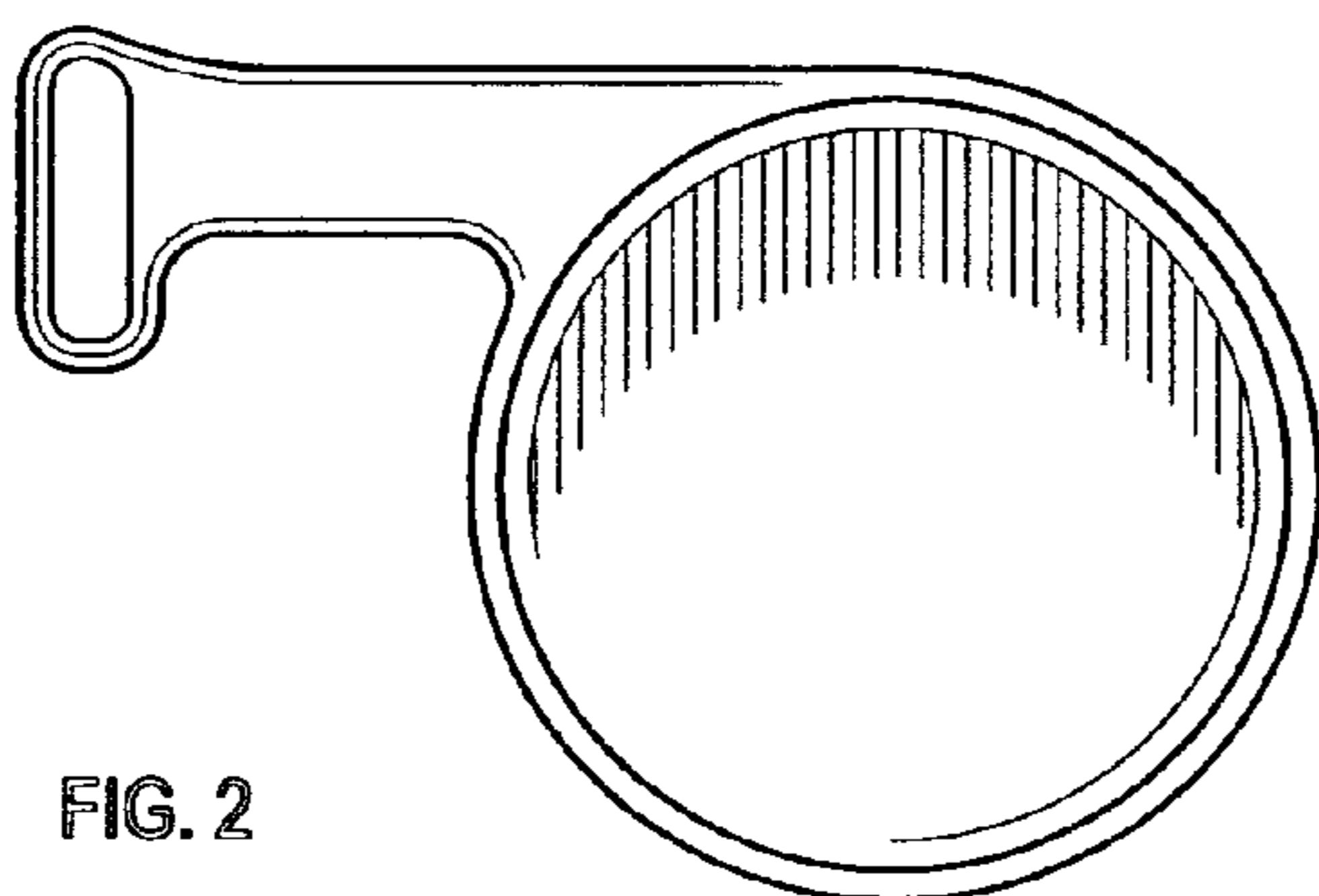


FIG. 2

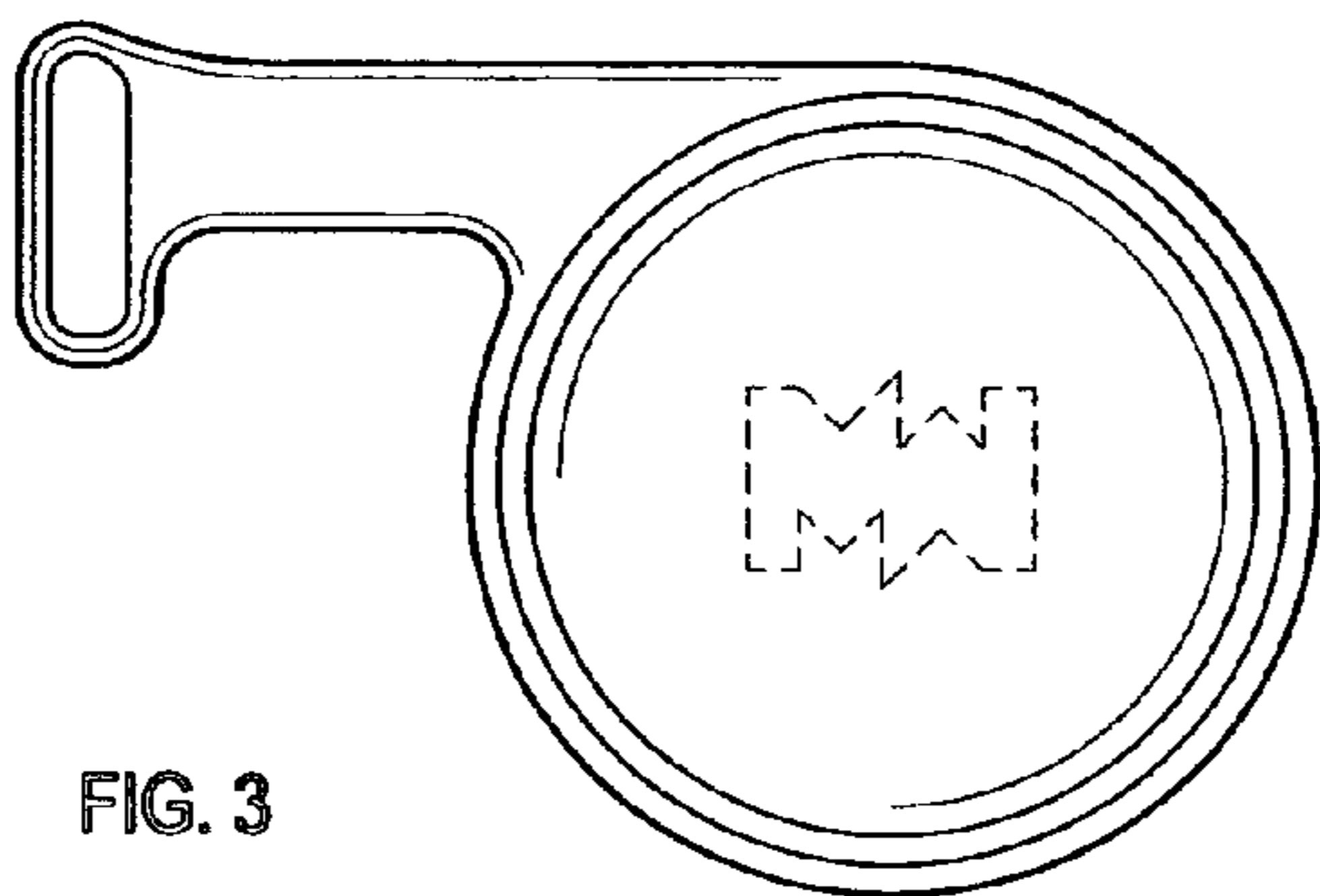


FIG. 3

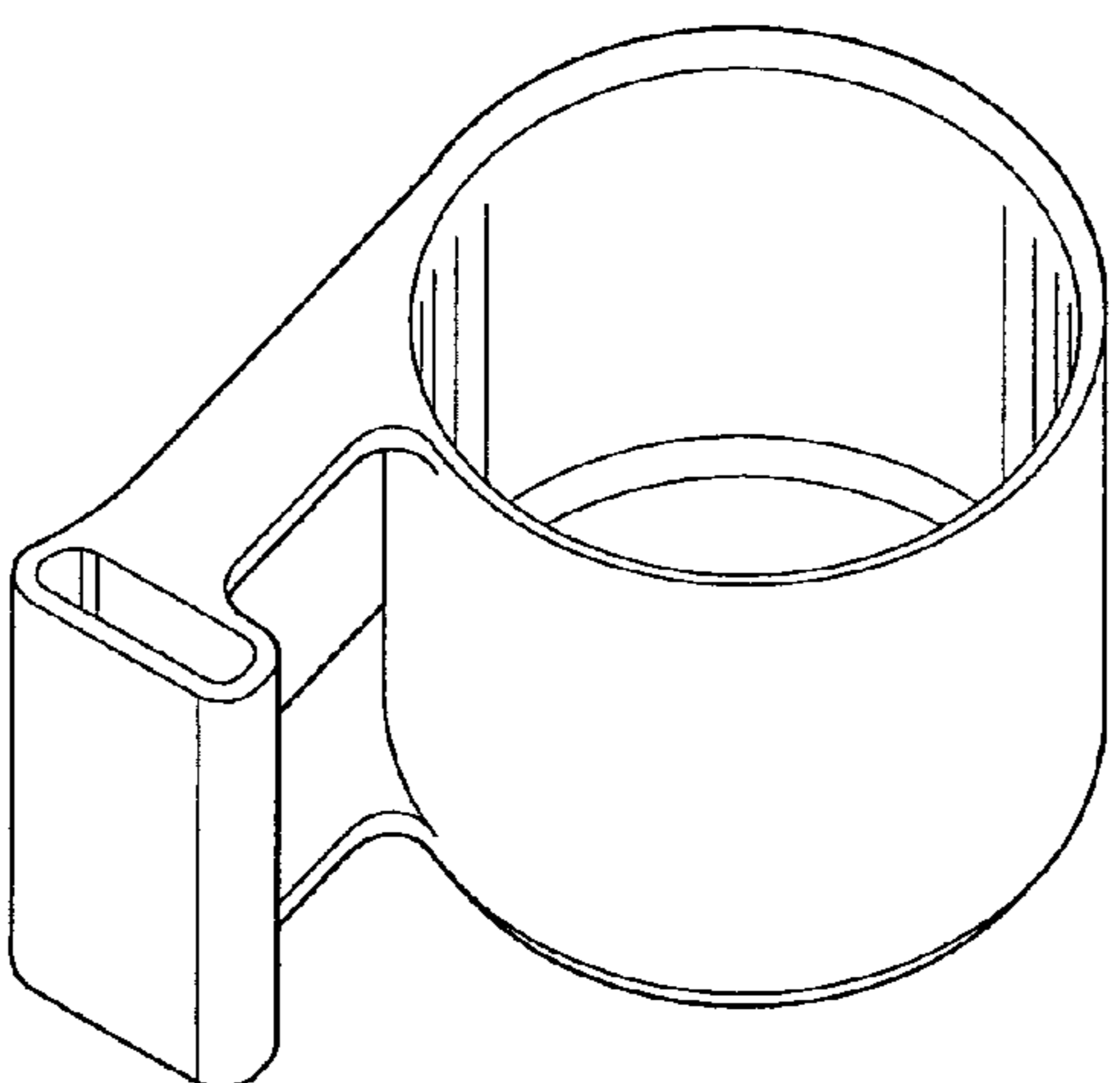


FIG. 4

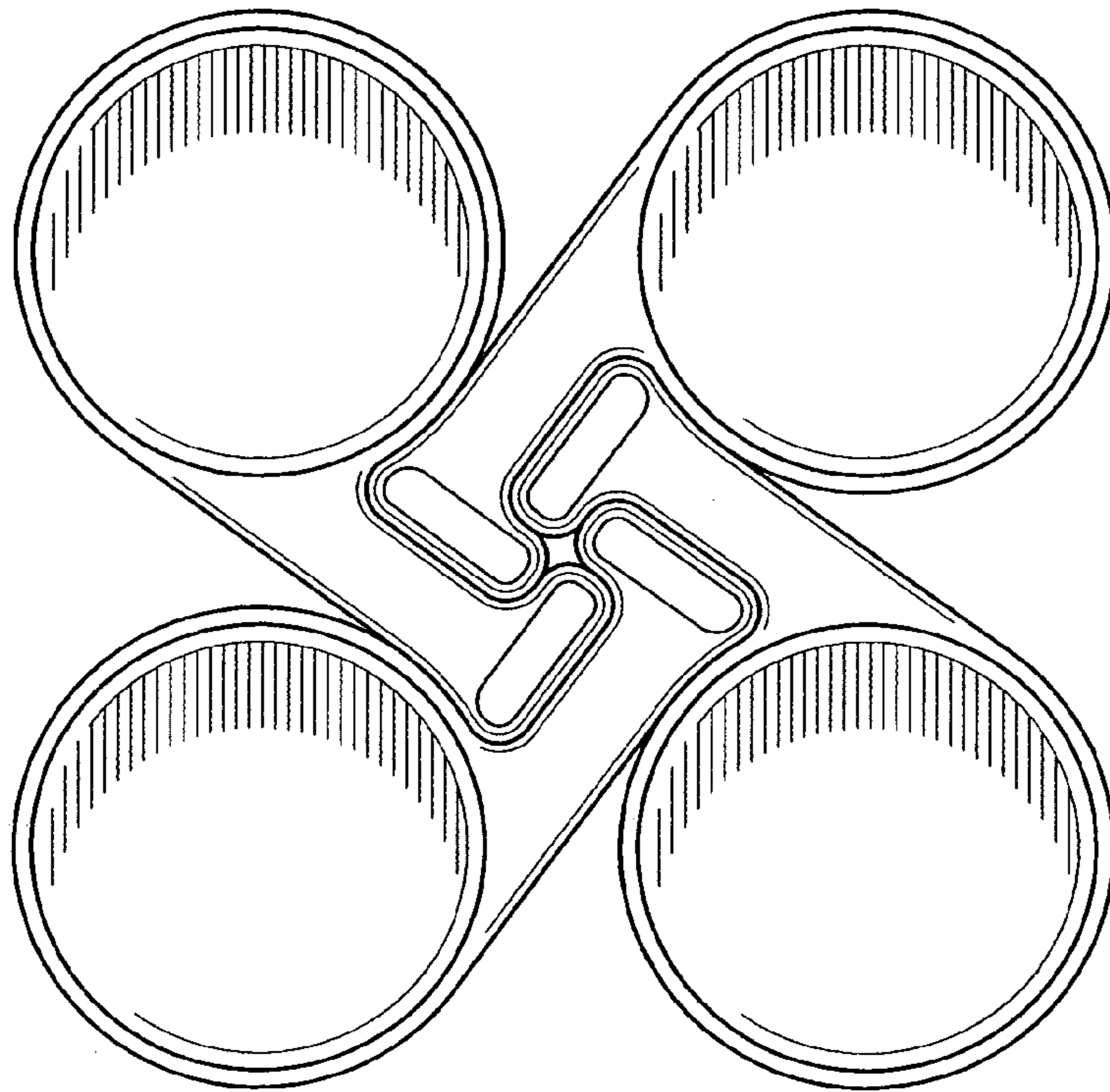


FIG. 5

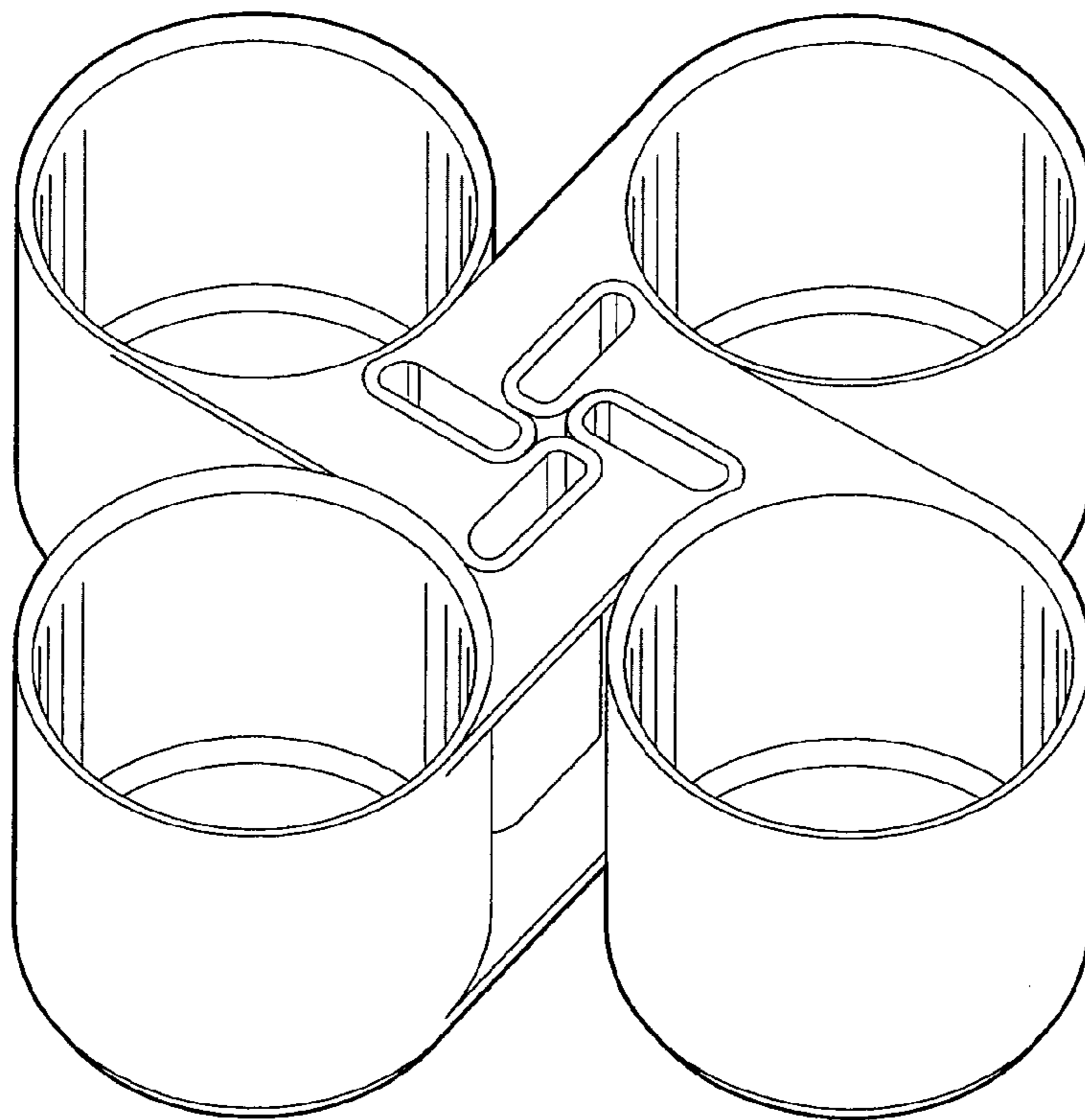


FIG. 6