



US00D597371S

(12) **United States Design Patent**
Tosdale et al.

(10) **Patent No.:** **US D597,371 S**
(45) **Date of Patent:** **** Aug. 4, 2009**

(54) **FOOD PAN**
(75) Inventors: **David R. Tosdale**, Manitowoc, WI (US);
Theresa M. Mayer, Sheboygan, WI (US)
(73) Assignee: **The Vollrath Company, L.L.C.**,
Sheboygan, WI (US)
(**) Term: **14 Years**
(21) Appl. No.: **29/324,933**
(22) Filed: **Sep. 23, 2008**

D225,364 S 12/1972 Antoni
D262,931 S 2/1982 LeVan
4,351,164 A 9/1982 Christiani
D283,666 S * 5/1986 Holzkopf D7/553.2
4,660,734 A 4/1987 Heaney et al.
D291,526 S 8/1987 Heaney et al.
4,744,597 A 5/1988 Bauman et al.
D296,404 S 6/1988 Lowenbein
D298,900 S 12/1988 Blum et al.
4,794,228 A 12/1988 Braun, Jr.
4,828,112 A 5/1989 Vollrath et al.
D309,846 S 8/1990 Pozzi

(Continued)

(51) **LOC (9) Cl.** **07-02**
(52) **U.S. Cl.** **D7/354**
(58) **Field of Classification Search** D6/406.3;
D7/323, 354-361, 417, 543-545, 550.1, 551.1,
D7/552.1, 553.2, 554.3, 566, 584-586; D9/414,
D9/430, 434, 456, 745, 756, 761; D24/123;
D28/73; 99/324, 339, 422, 426, 446, 448,
99/450; 108/43; 220/573.1-573.4, 574,
220/600-60, 610, 669, 672-675, 912; 224/604;
249/66.1, 117, 119, 122-127, 155-156, 160;
604/132, 317

See application file for complete search history.

(56) **References Cited**

U.S. PATENT DOCUMENTS

255,706 A 3/1882 Vuillier
436,883 A 9/1890 Wagandt
D21,710 S 7/1892 Murphy et al.
D33,218 S 9/1900 Dixon
1,239,218 A 9/1917 Richards
D102,362 S 12/1936 Friedman et al.
2,231,615 A 2/1941 Duke
2,352,684 A 7/1944 Braddock
D156,184 S 11/1949 Ulmer
2,700,284 A 1/1955 Lyon, Jr.
D195,682 S * 7/1963 Grogel D7/553.2
3,476,282 A 11/1969 Monaco et al.
3,532,247 A 10/1970 Bridges
D220,749 S 5/1971 Artz
3,657,776 A 4/1972 Herbold

FOREIGN PATENT DOCUMENTS

WO WO 2007/043154 A1 4/2007

OTHER PUBLICATIONS

Vollrath® Setting the Standard™ Smallwares & Light Equipment
2006-2007, 25 pages.

Primary Examiner—Caron Veynar
Assistant Examiner—Ricky Pham
(74) *Attorney, Agent, or Firm*—Foley & Lardner LLP

(57) **CLAIM**

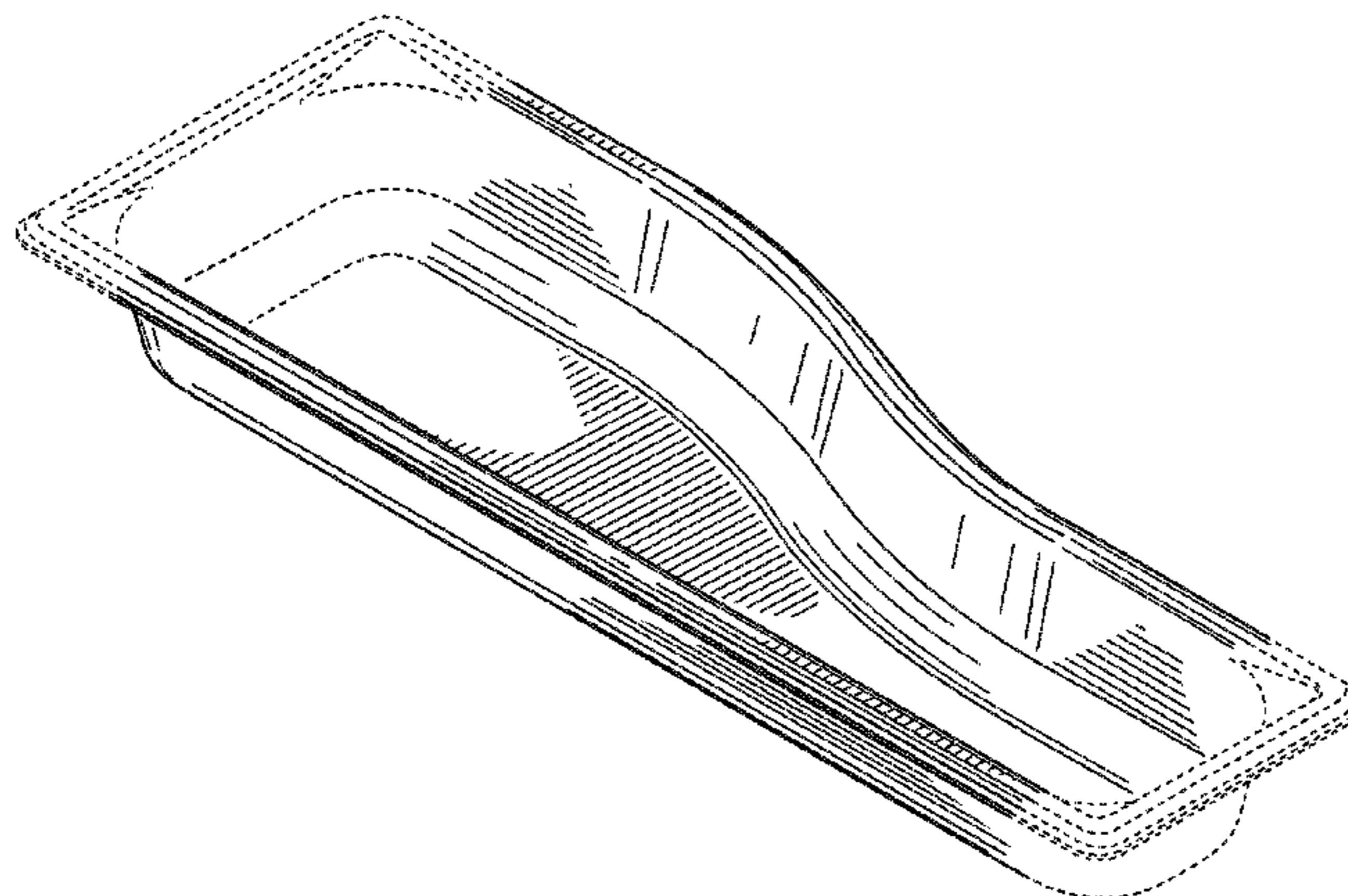
We claim the ornamental design for a food pan, as shown and described.

DESCRIPTION

FIG. 1 is a top perspective view of a first embodiment of the claimed design;
FIG. 2 is a top view thereof;
FIG. 3 is a bottom view thereof;
FIG. 4 is a left side view thereof;
FIG. 5 is a right side view thereof;
FIG. 6 is a front view thereof; and,
FIG. 7 is a rear view thereof.

The broken lines in the drawings are for illustrative purposes only and form no part of the claimed design.

1 Claim, 5 Drawing Sheets



US D597,371 S

Page 2

U.S. PATENT DOCUMENTS

5,035,327 A	7/1991	Denzin et al.	D451,018 S	11/2001	Chen et al.
D323,959 S	2/1992	Ciampi et al.	D463,977 S	10/2002	Castellanos et al.
5,119,800 A	6/1992	Roberts et al.	D472,428 S	4/2003	Massaloux et al.
5,131,708 A	7/1992	Denzin	D473,757 S	4/2003	Schwartz
5,203,257 A	4/1993	Goad	D474,687 S	5/2003	Jones et al.
5,335,787 A	8/1994	Finchum et al.	6,557,720 B2	5/2003	Tosdale et al.
5,511,467 A	4/1996	Motley et al.	6,607,091 B2	8/2003	Gasbarro
D379,301 S	5/1997	Lippincott	6,653,602 B2	11/2003	Li
D382,440 S	8/1997	Fonville	D487,672 S	3/2004	Cote et al.
D383,943 S	9/1997	Boley	6,705,210 B2	3/2004	Leonard
5,676,276 A	10/1997	Zielinski et al.	D490,656 S	6/2004	Levien
D387,272 S	12/1997	Lippincott	6,866,832 B2	3/2005	Garwood
5,699,784 A	12/1997	Tippmann et al.	D530,625 S *	10/2006	Darin D7/761
5,756,968 A	5/1998	Chung	7,163,120 B1	1/2007	Blucher
5,762,226 A	6/1998	Baltus et al.	7,288,745 B2	10/2007	Colonna
D407,948 S	4/1999	Indekeu	D554,531 S	11/2007	Lovett
D408,686 S	4/1999	Lillelund et al.	7,347,327 B2	3/2008	Lobman et al.
D414,409 S *	9/1999	Sanfilippo et al. D9/761	D565,905 S	4/2008	Valderrama et al.
D415,656 S	10/1999	Henry	D573,407 S	7/2008	Cox
5,992,406 A	11/1999	Lelle	D575,077 S	8/2008	Kessels
D417,361 S	12/1999	Mittmann et al.	2005/0235838 A1	10/2005	Cohn
6,021,914 A	2/2000	Schmidt	2006/0201938 A1	9/2006	Wojcik et al.
D431,421 S	10/2000	Liu	2006/0288997 A1	12/2006	Griffin
D432,409 S *	10/2000	Feldmeier D9/761	2007/0062958 A1	3/2007	Kelly
D436,854 S *	1/2001	Feldmeier D9/434	2007/0079822 A1	4/2007	Pickens et al.
6,199,715 B1	3/2001	Hayes et al.	2007/0090118 A1	4/2007	Milkowski et al.
D442,484 S	5/2001	Maxwell et al.	2007/0221651 A1	9/2007	Kristina et al.
D445,632 S	7/2001	Bradley	2008/0169294 A1	7/2008	Liebzeit

* cited by examiner

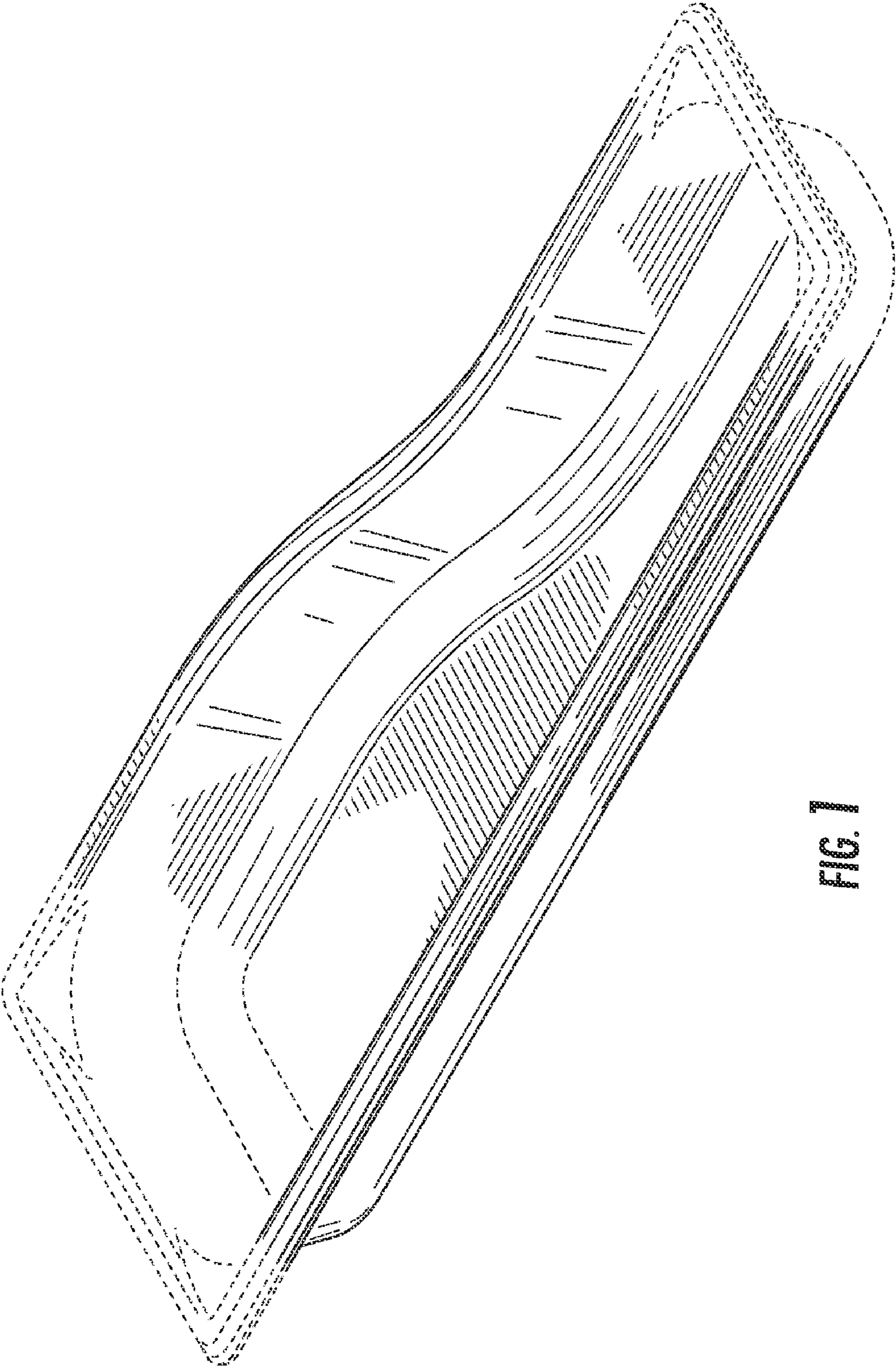


FIG. 1

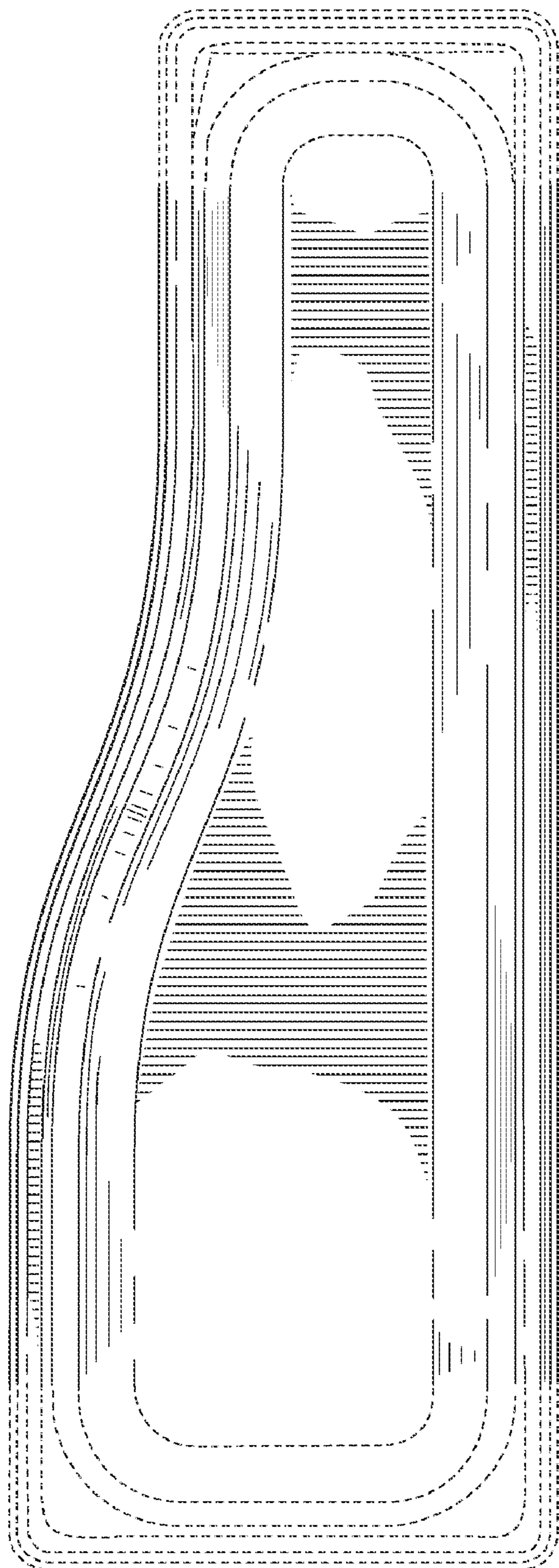


FIG. 2

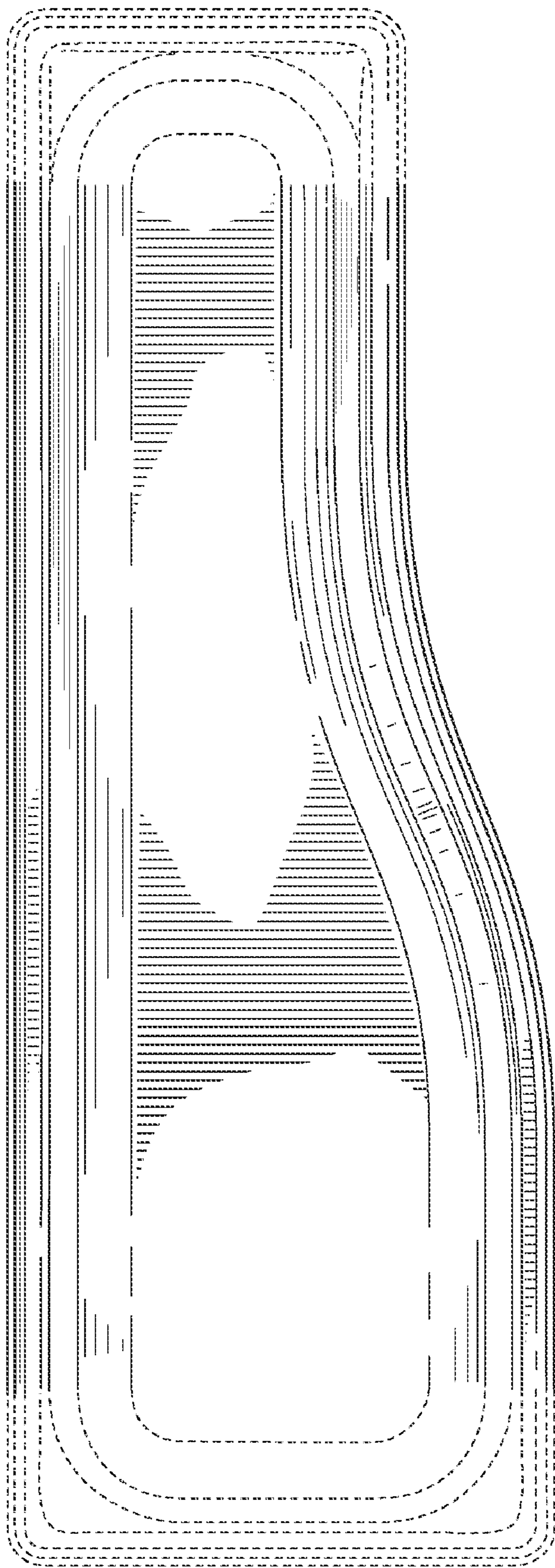


FIG. 3

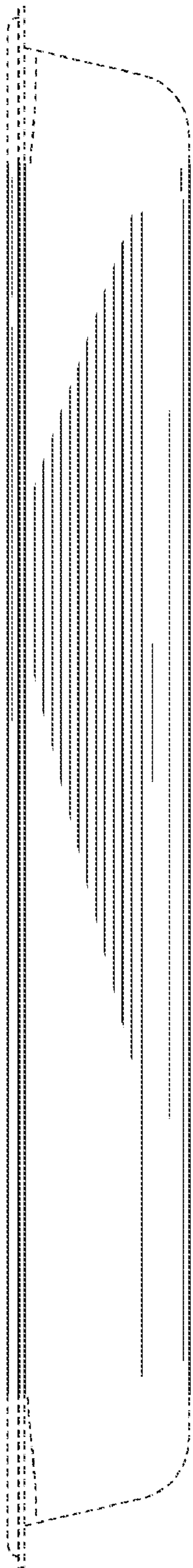


FIG. 4

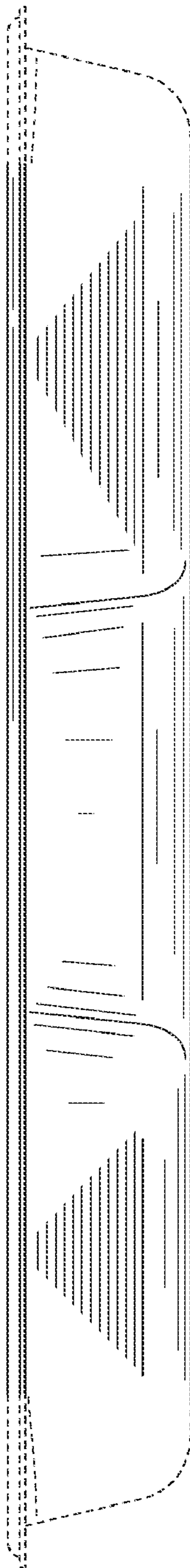


FIG. 5



FIG. 6

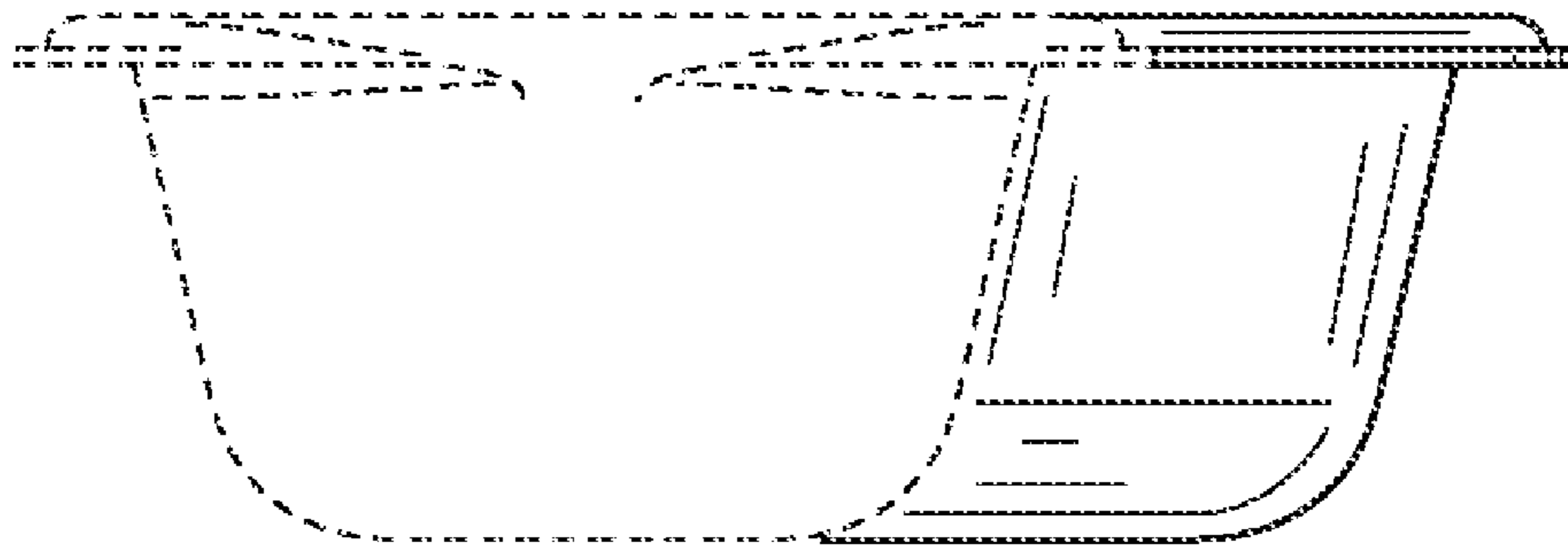


FIG. 7