



US00D597365S

(12) **United States Design Patent**  
**Oas**

(10) **Patent No.:** **US D597,365 S**  
(45) **Date of Patent:** **\*\* Aug. 4, 2009**

(54) **BEVERAGE SHAKER**

D565,353 S \* 4/2008 Roth et al. .... D7/510  
D580,227 S \* 11/2008 Roth et al. .... D7/510

(76) Inventor: **Daniel Oas**, 6250 N. Irwindale Ave.,  
Irwindale, CA (US) 91702

\* cited by examiner

(\*\*) Term: **14 Years**

*Primary Examiner*—Marianne Pandozzi  
(74) *Attorney, Agent, or Firm*—Edgar W. Averill, Jr.; Kenneth  
L. Green

(21) Appl. No.: **29/307,544**

(22) Filed: **Apr. 25, 2008**

(57) **CLAIM**

(51) **LOC (9) Cl.** ..... **07-01**

The ornamental design for a beverage shaker, as shown and  
described.

(52) **U.S. Cl.** ..... **D7/300.1**; D7/509; D7/531;  
D7/532

**DESCRIPTION**

(58) **Field of Classification Search** ..... D7/507,  
D7/509, 510, 511, 523, 608, 300.1, 533, 532,  
D7/531; 222/547; 220/212, 751, 709, 705,  
220/719, 703; D9/503, 614, 436, 443; 224/148.7;  
215/308, 374; 210/120

FIG. 1 is a perspective view showing the top, front and left  
side of the beverage shaker showing my new design.

See application file for complete search history.

FIG. 2 is a front view thereof.

FIG. 3 is a top view thereof.

FIG. 4 is a left side view thereof.

FIG. 5 is a right side view thereof.

FIG. 6 is a back view thereof.

FIG. 7 is a bottom view thereof; and,

FIG. 8 is a perspective view thereof showing the unclaimed  
cap in open position.

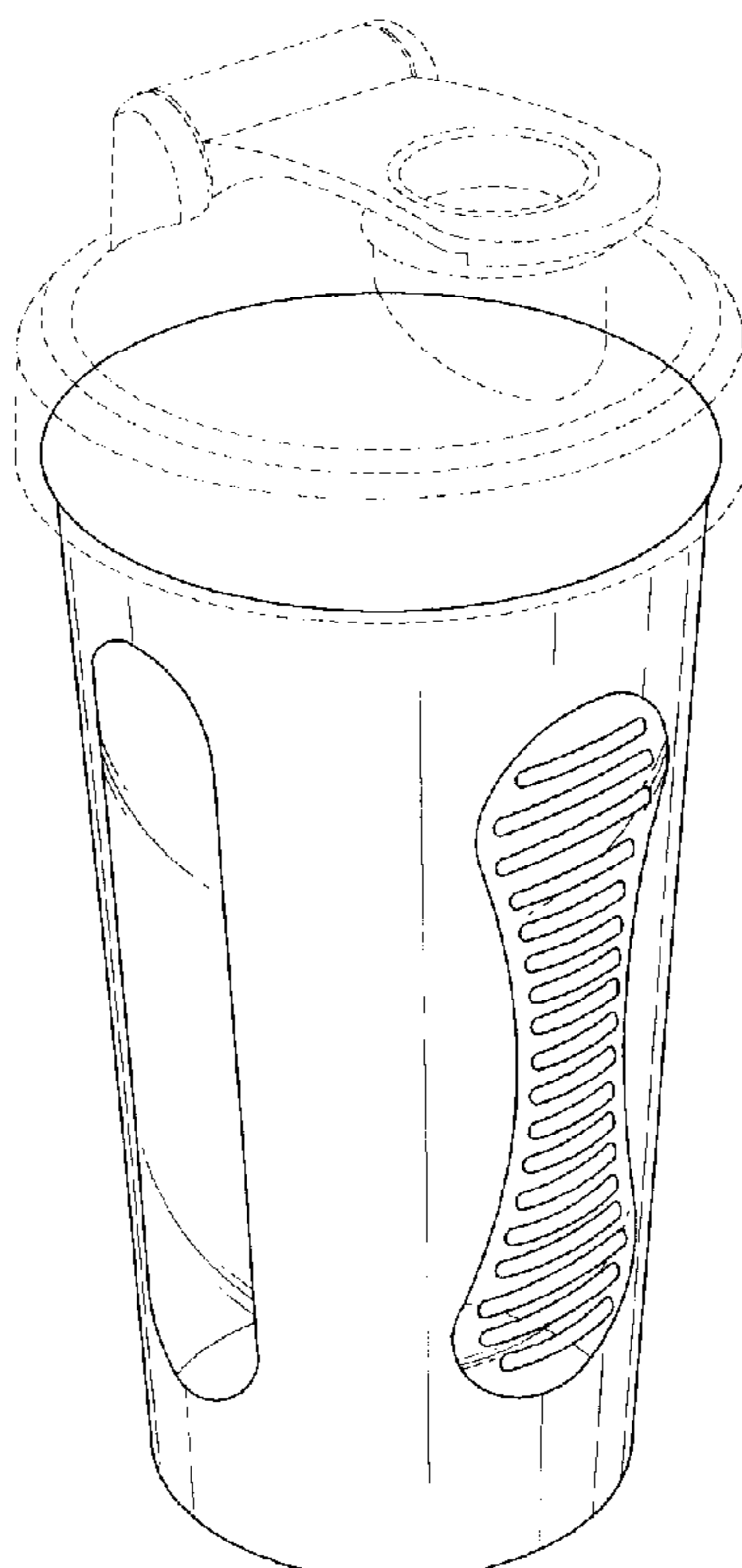
The broken lines of the cap in the drawings are included for  
the purpose of illustration and form no part of the claimed  
design.

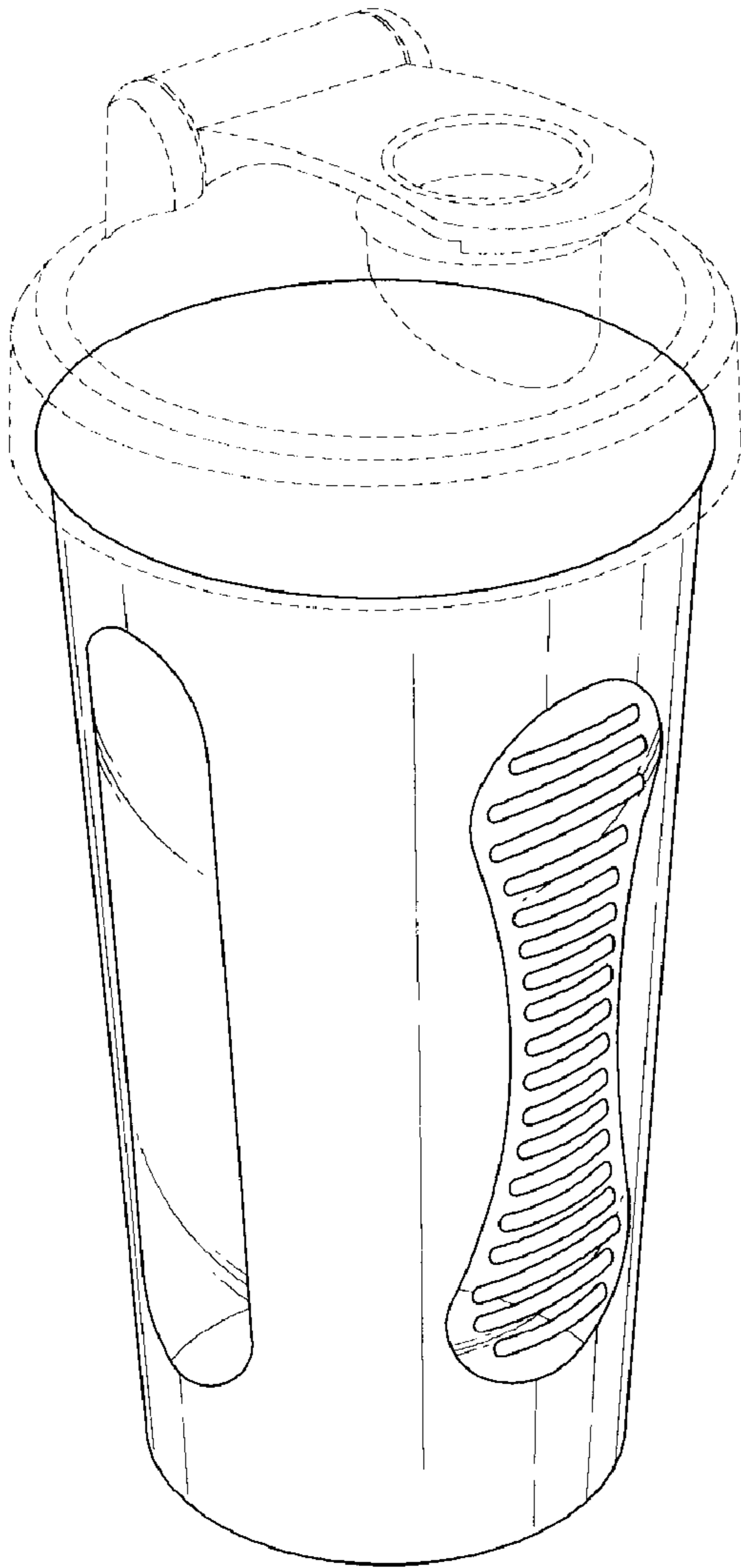
(56) **References Cited**

**U.S. PATENT DOCUMENTS**

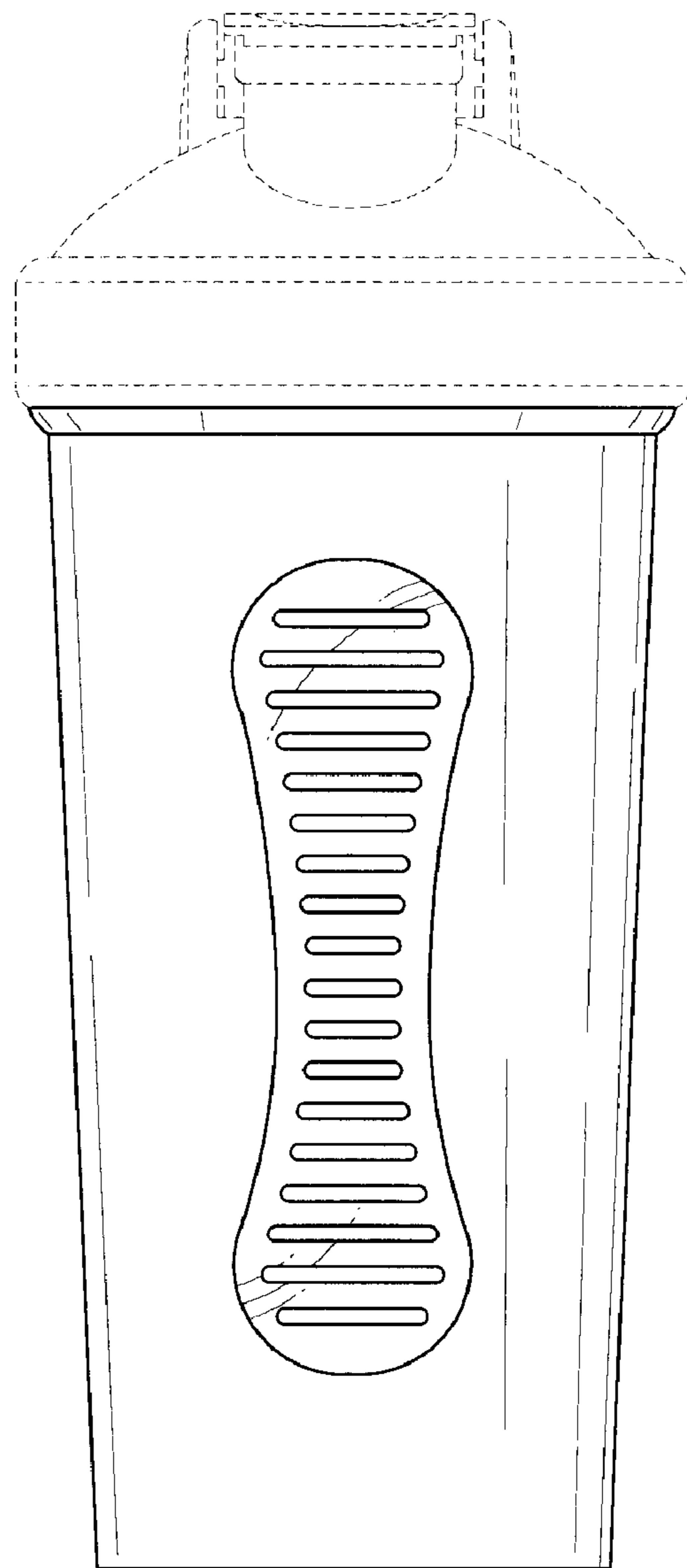
- D210,067 S \* 2/1968 Abe ..... D9/529
- 3,820,692 A \* 6/1974 Smith ..... 222/547
- D233,116 S \* 10/1974 Swett ..... D7/300.1
- D340,868 S \* 11/1993 Gormley ..... D9/558
- D421,547 S \* 3/2000 Demers ..... D7/510
- D510,235 S \* 10/2005 Sorensen ..... D7/510
- D538,597 S \* 3/2007 Kim ..... D7/510
- D549,048 S \* 8/2007 Duke et al. .... D7/510
- D552,929 S \* 10/2007 de Groote ..... D7/510

**1 Claim, 3 Drawing Sheets**

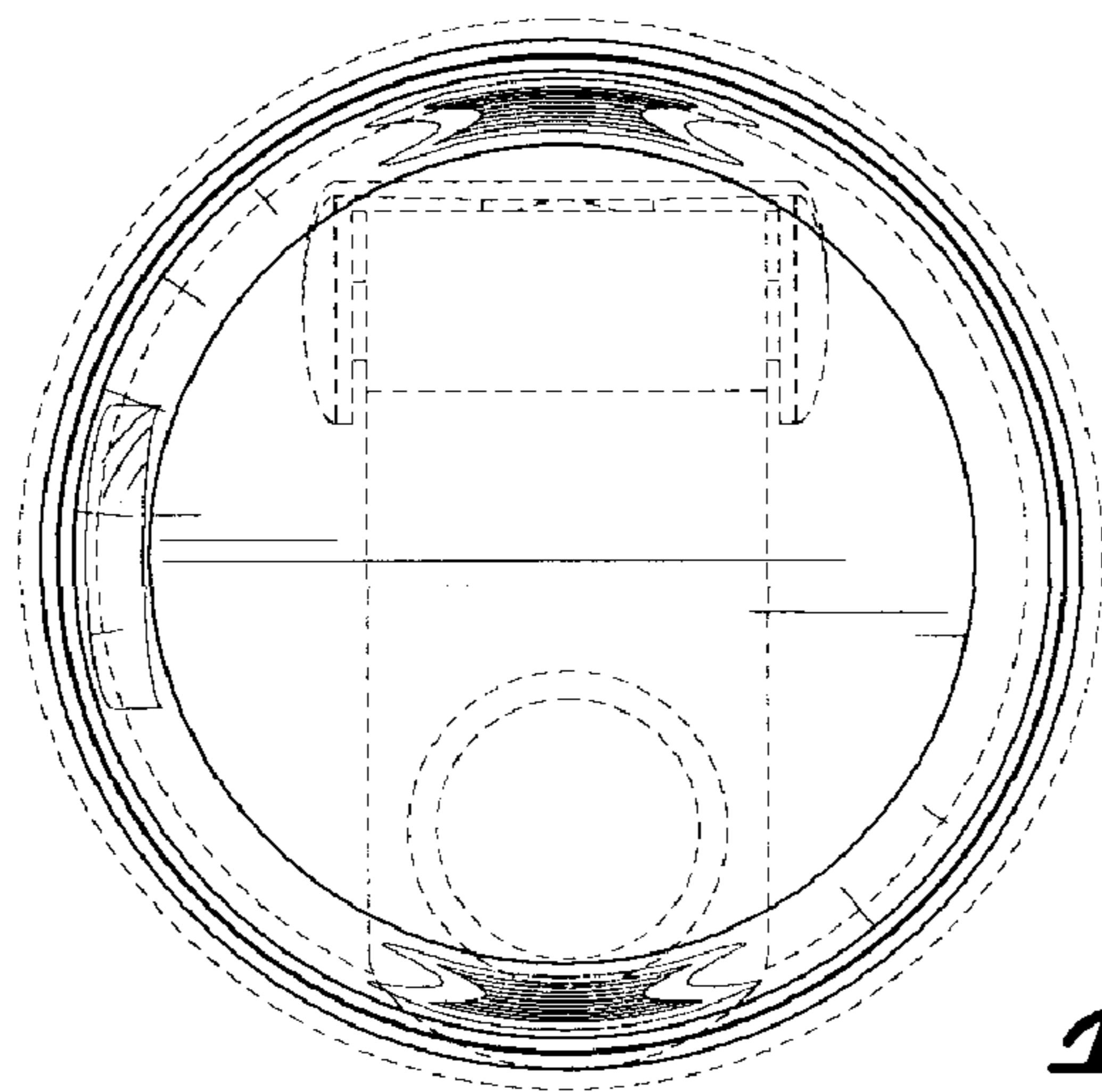




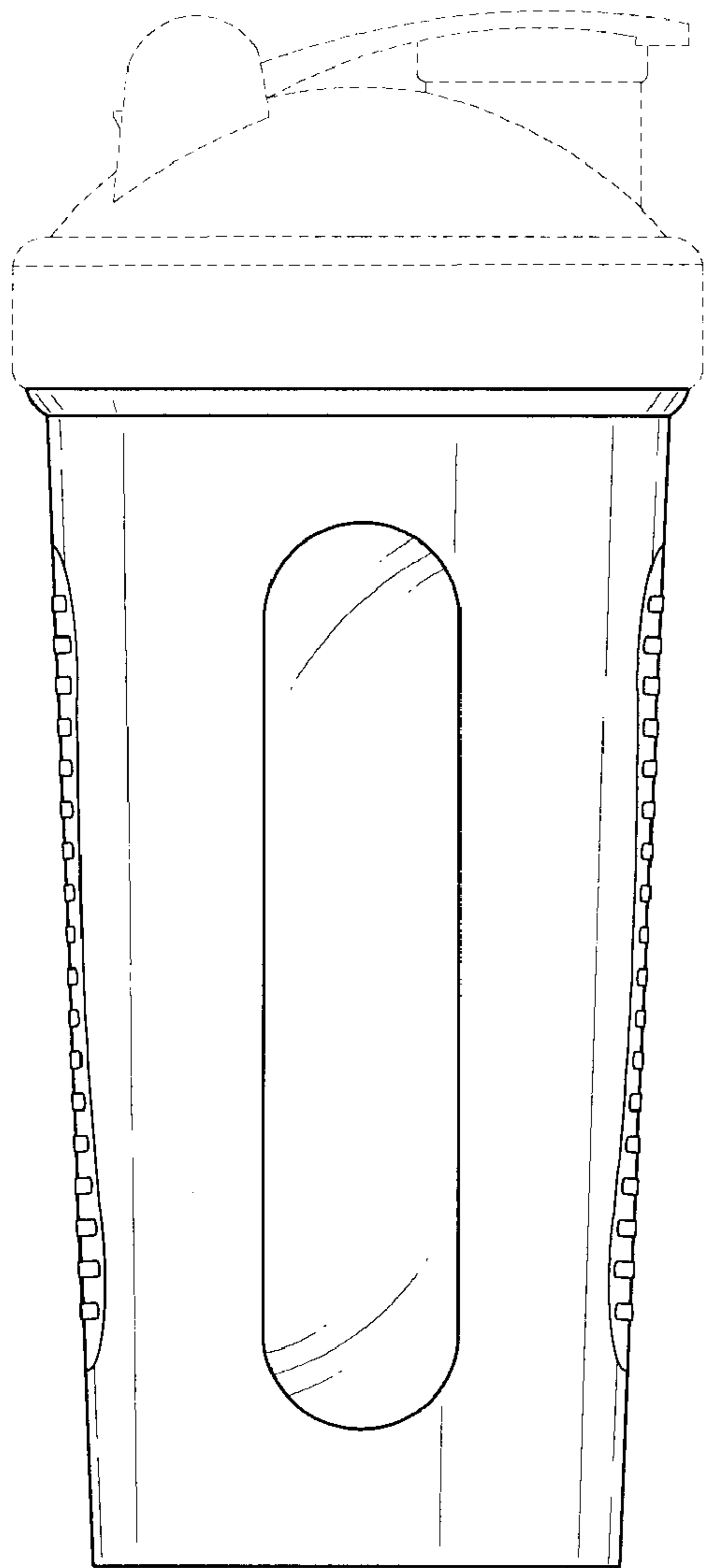
*FIG. 1*



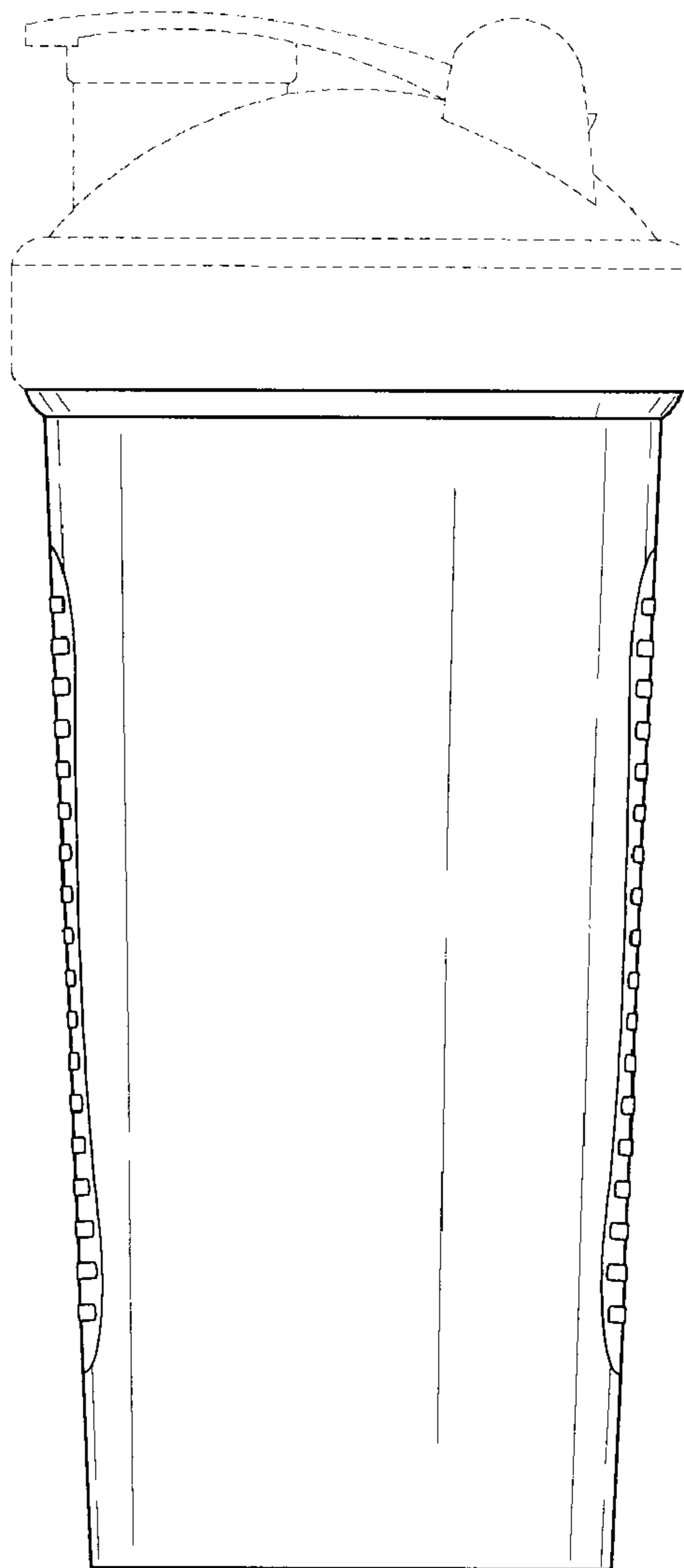
*FIG. 2*



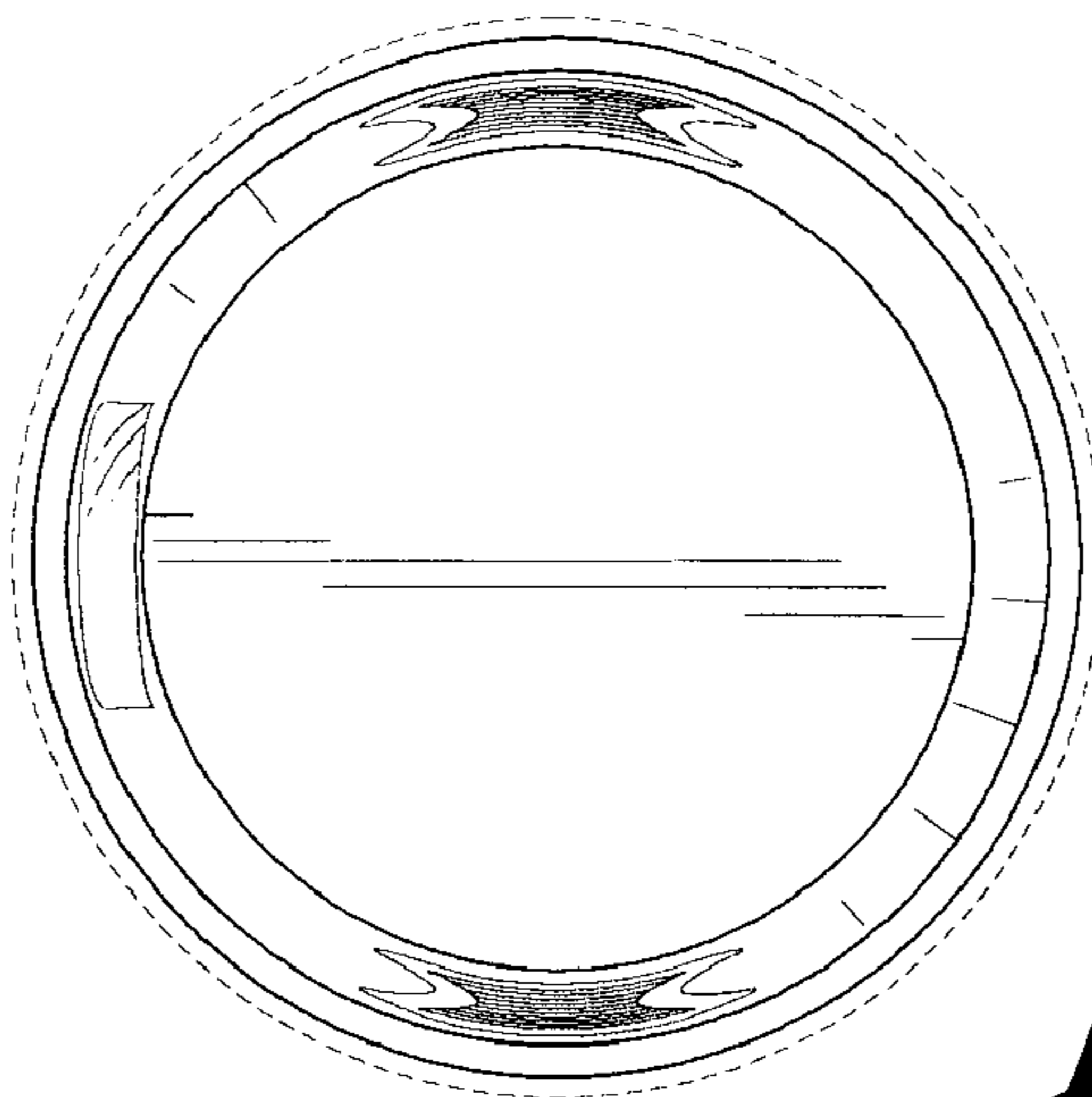
*FIG. 3*



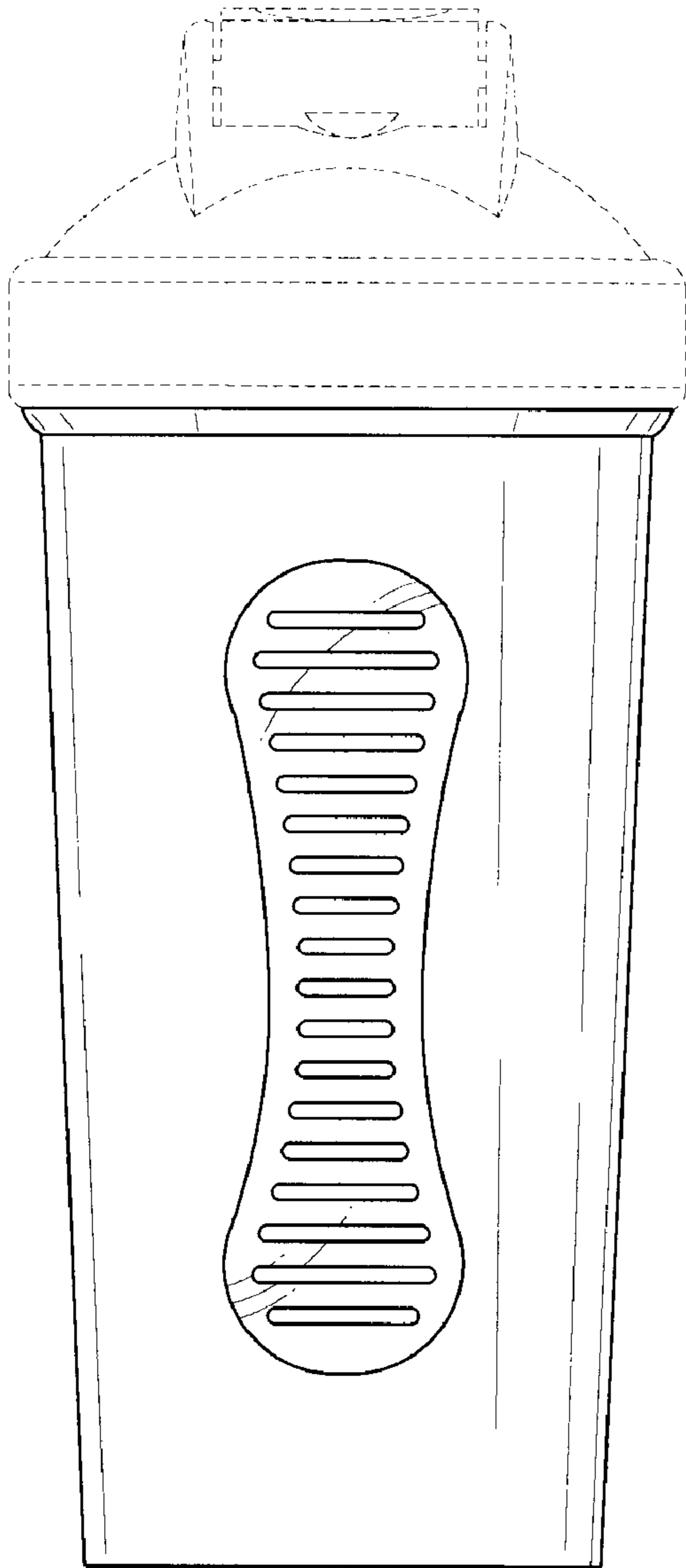
*FIG. 4*



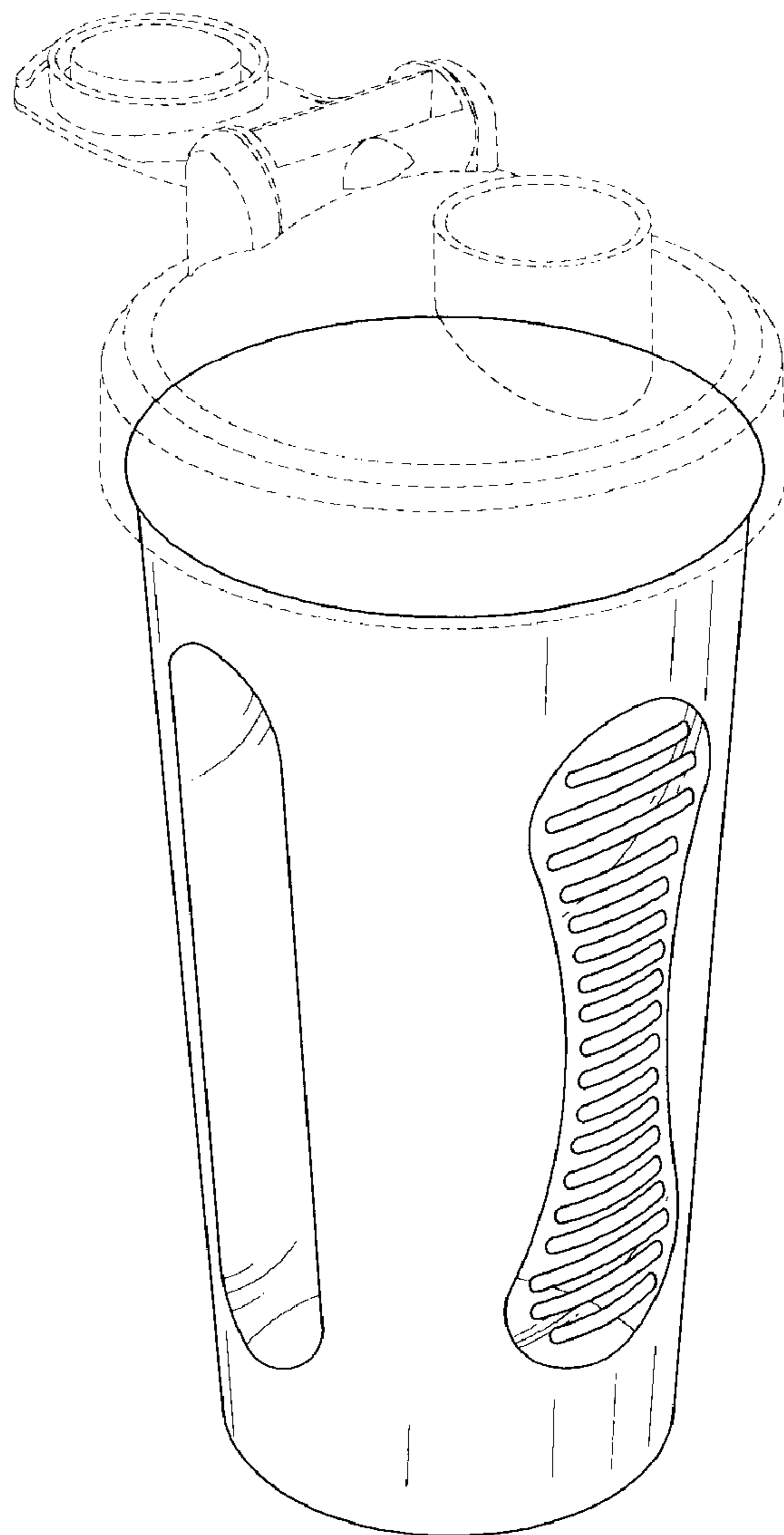
*FIG. 5*



*FIG. 7*



*FIG. 6*



*FIG. 8*