

US00D597355S

(12) **United States Design Patent**  
**Pettigrew**

(10) **Patent No.:** **US D597,355 S**

(45) **Date of Patent:** **\*\* Aug. 4, 2009**

(54) **HOLDER FOR PAPER ROLLS**

(76) Inventor: **Errol L. Pettigrew**, 2287 106th Ave.,  
Elmont, NY (US) 11003

(\*\*) Term: **14 Years**

(21) Appl. No.: **29/330,678**

(22) Filed: **Jan. 13, 2009**

**Related U.S. Application Data**

(62) Division of application No. 29/302,934, filed on Jan. 29, 2008, now Pat. No. Des. 584,549, which is a division of application No. 29/276,290, filed on Jan. 22, 2007, now Pat. No. Des. 564,813.

(51) **LOC (9) Cl.** ..... **20-02**

(52) **U.S. Cl.** ..... **D6/520**

(58) **Field of Classification Search** ..... D6/515-523,  
D6/546-550; 206/389; 221/282-283; 312/34.8;  
242/570, 590, 598, 560

See application file for complete search history.

(56) **References Cited**

**U.S. PATENT DOCUMENTS**

D482,916 S \* 12/2003 Smurlick et al. .... D6/518  
D486,332 S \* 2/2004 Hoernig ..... D6/520  
D486,681 S \* 2/2004 Hoernig ..... D6/523

D506,632 S \* 6/2005 Holsclaw ..... D6/520  
D513,680 S \* 1/2006 Snell ..... D6/523  
D540,591 S \* 4/2007 Snell ..... D6/523  
D540,593 S \* 4/2007 Hoernig ..... D6/523  
D541,089 S \* 4/2007 Massaud ..... D6/523  
D547,985 S \* 8/2007 Kubota ..... D6/522  
D550,489 S \* 9/2007 Williams et al. .... D6/523

\* cited by examiner

*Primary Examiner*—Brian N Vinson

(74) *Attorney, Agent, or Firm*—Scully, Scott, Murphy & Presser, P.C.

(57) **CLAIM**

The ornamental design for a holder for paper rolls, as shown and described.

**DESCRIPTION**

FIG. 1 is a front elevational view of a holder for paper rolls showing my new design;

FIG. 2 is a rear elevational view thereof;

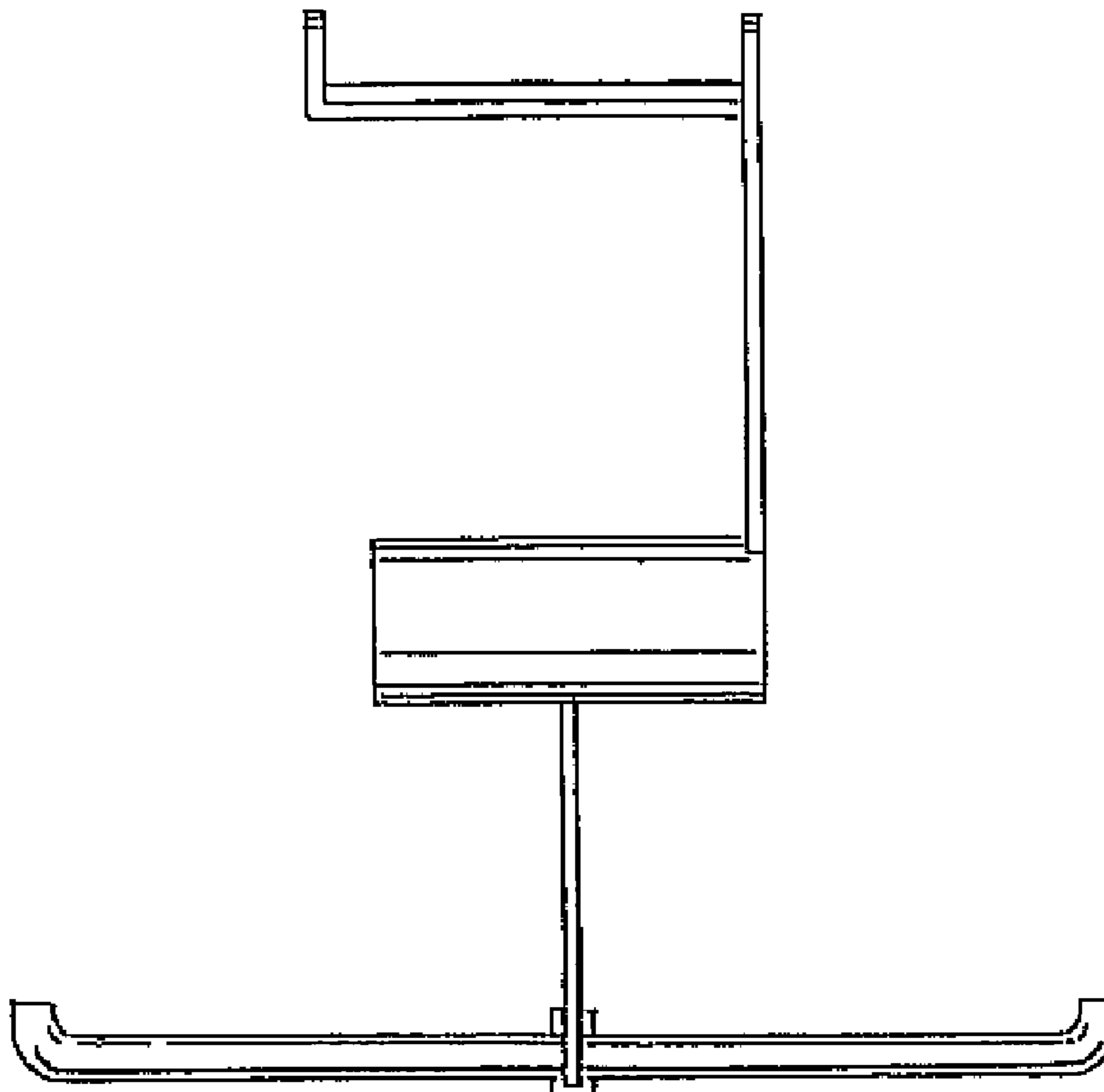
FIG. 3 is a right side elevational view thereof;

FIG. 4 is a left side elevational view thereof;

FIG. 5 is a top plan view thereof; and,

FIG. 6 is a bottom plan view thereof.

**1 Claim, 1 Drawing Sheet**



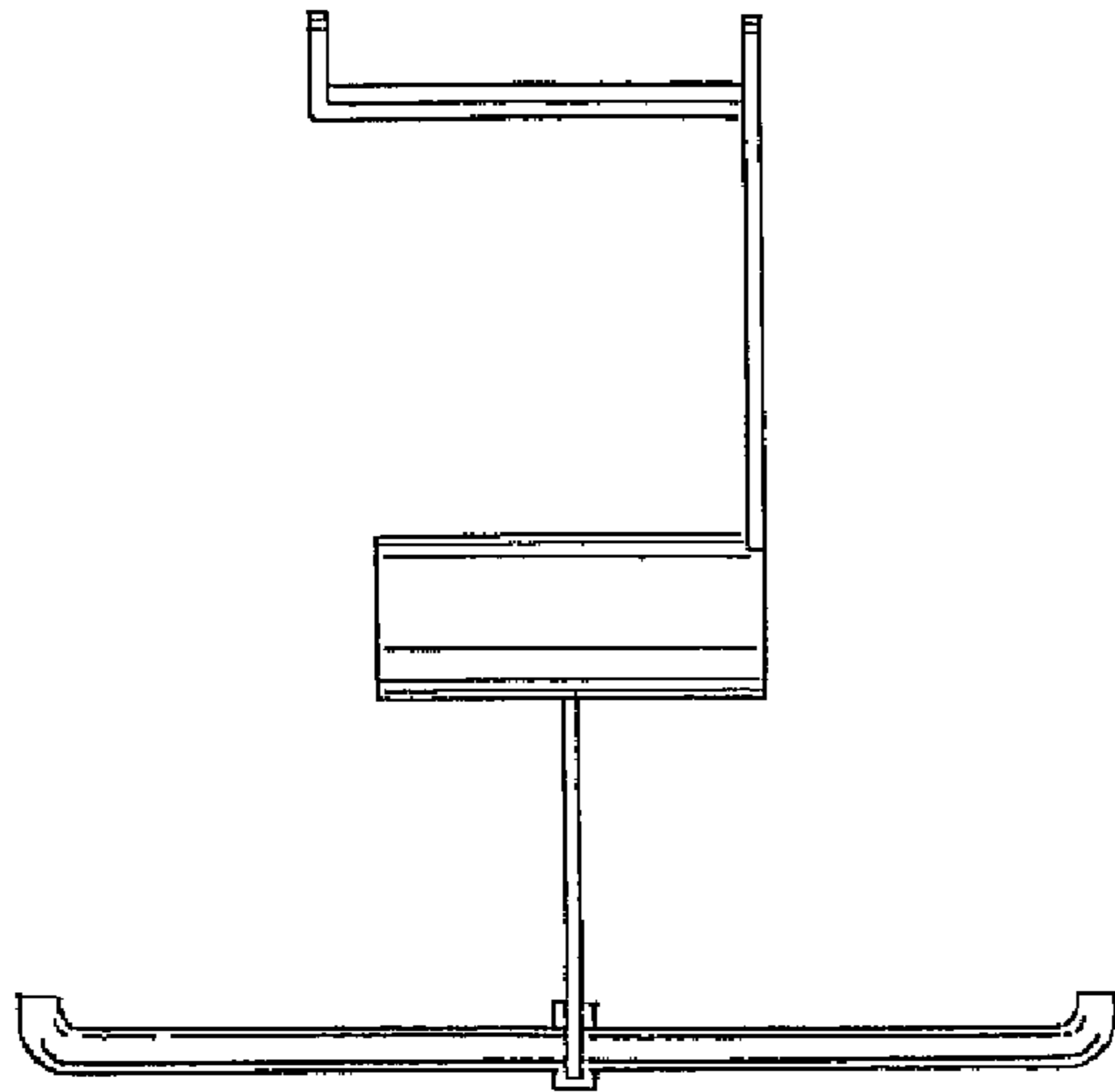


FIG. 1

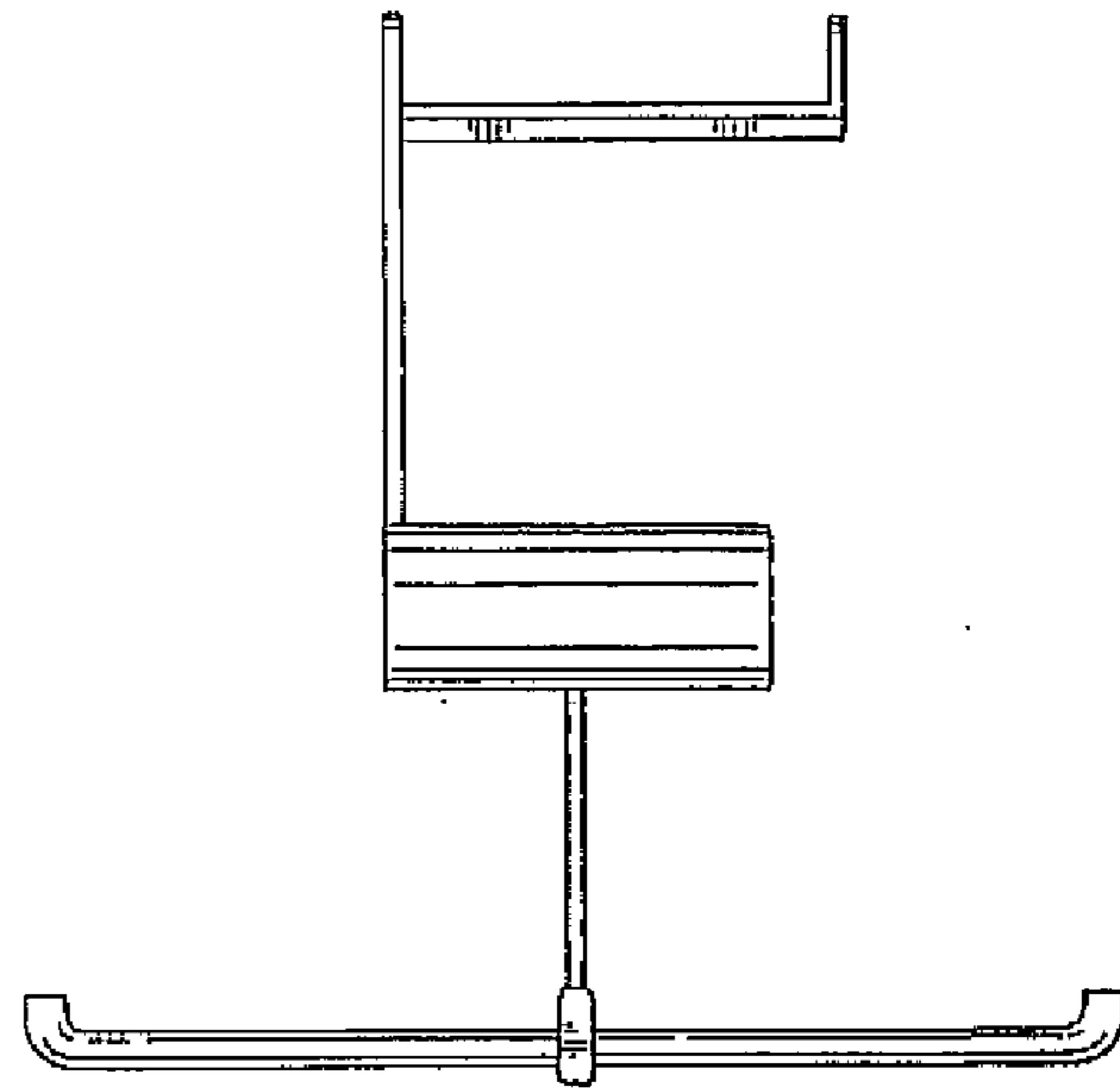


FIG. 2

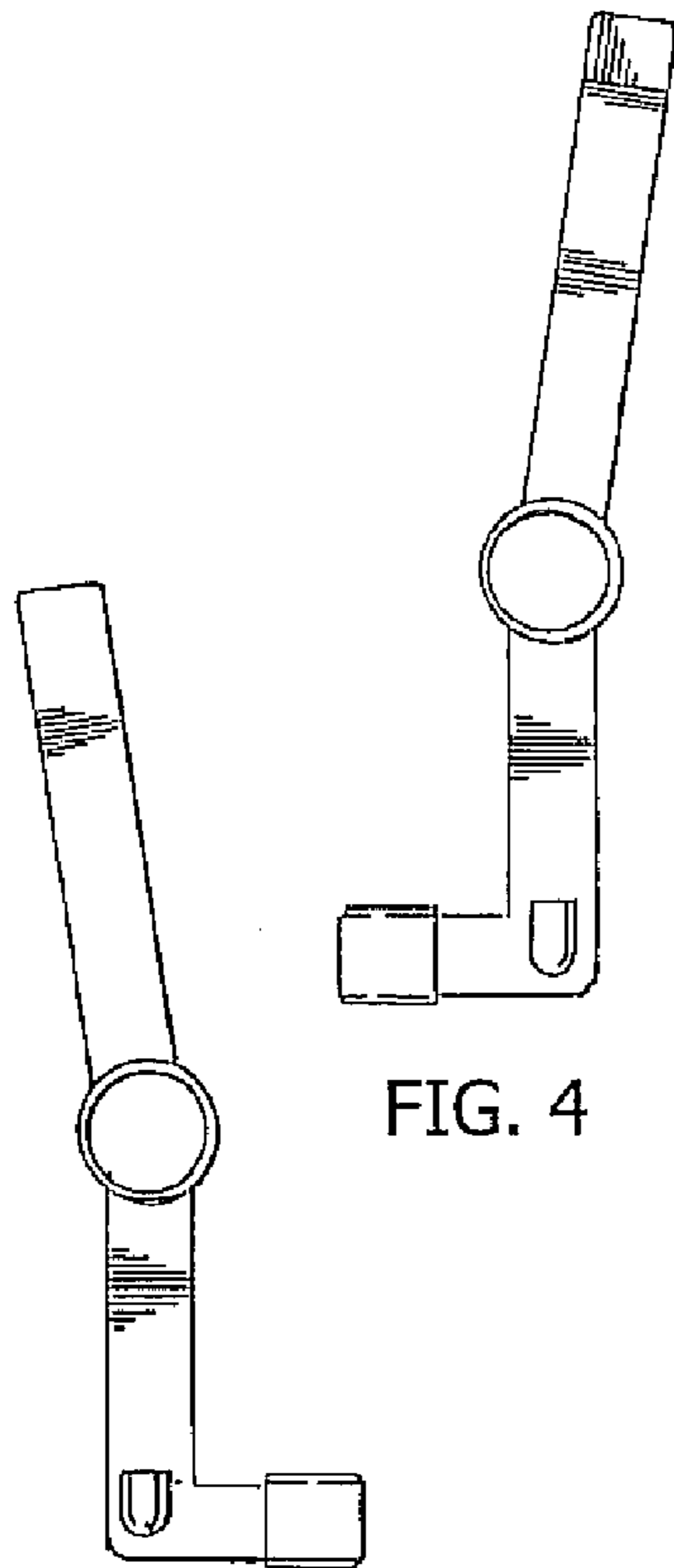


FIG. 4

FIG. 3

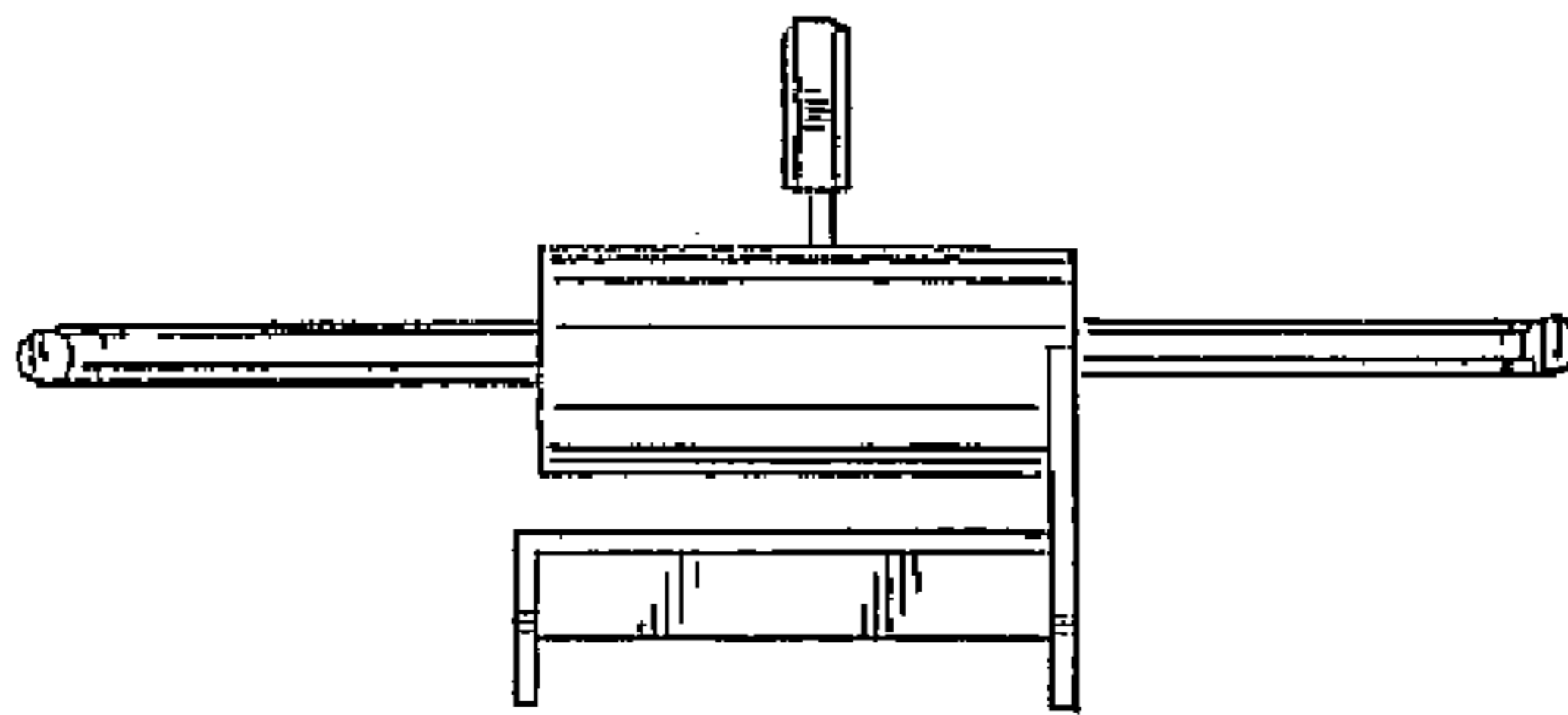


FIG. 5

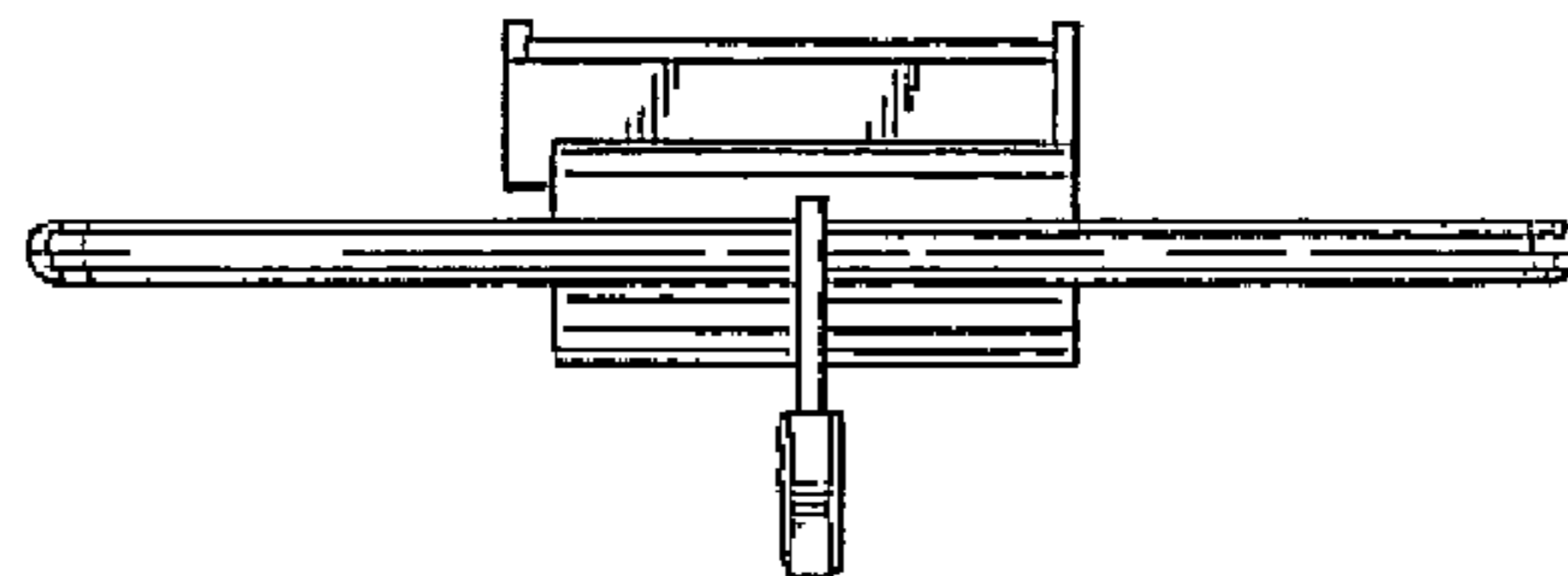


FIG. 6