



US00D597351S

(12) **United States Design Patent**  
**Konrad et al.**

(10) **Patent No.:** **US D597,351 S**  
(45) **Date of Patent:** **\*\* Aug. 4, 2009**

(54) **BEDSPRING**

(75) Inventors: **Raffael Konrad**, Schänis (CH); **Kurt Bamert**, Schänis (CH); **Oliver Spies**, Berlin (DE)

(73) Assignee: **Bico AG** (CH)

(\*\*) Term: **14 Years**

(21) Appl. No.: **29/297,957**

(22) Filed: **Nov. 23, 2007**

(51) **LOC (9) Cl.** ..... **06-06**

(52) **U.S. Cl.** ..... **D6/503; D6/504**

(58) **Field of Classification Search** ..... D6/382,  
D6/393-395, 392, 503, 504, 491; 5/238,  
5/236.1, 237, 239, 241, 285

See application file for complete search history.

(56) **References Cited**

**U.S. PATENT DOCUMENTS**

D167,722 S *	9/1952	Rosenthal, Jr. ....	D6/503
4,567,615 A *	2/1986	Fanti .....	5/191
4,752,981 A *	6/1988	Salens .....	5/238
6,877,174 B2	4/2005	Lobry	
2004/0107499 A1 *	6/2004	Verschuere et al. ....	5/236.1

**FOREIGN PATENT DOCUMENTS**

DE 19538082 A1 4/1997

EP	0150873 B1	5/1988
EP	1034726 A1	9/2000
EP	1290963 A1	3/2003
EP	1050251 B1	7/2004
EP	1584270 A1	10/2005

\* cited by examiner

*Primary Examiner*—Janice E Seeger

(74) *Attorney, Agent, or Firm*—Joyce von Natzmer; Pequignot + Myers LLC

(57) **CLAIM**

The ornamental design for a bedspring, as shown and described.

**DESCRIPTION**

FIG. 1 is a three-dimensional view of the bedspring;

FIG. 2 is a front view of the bedspring;

FIG. 3 is a rear view of the bedspring;

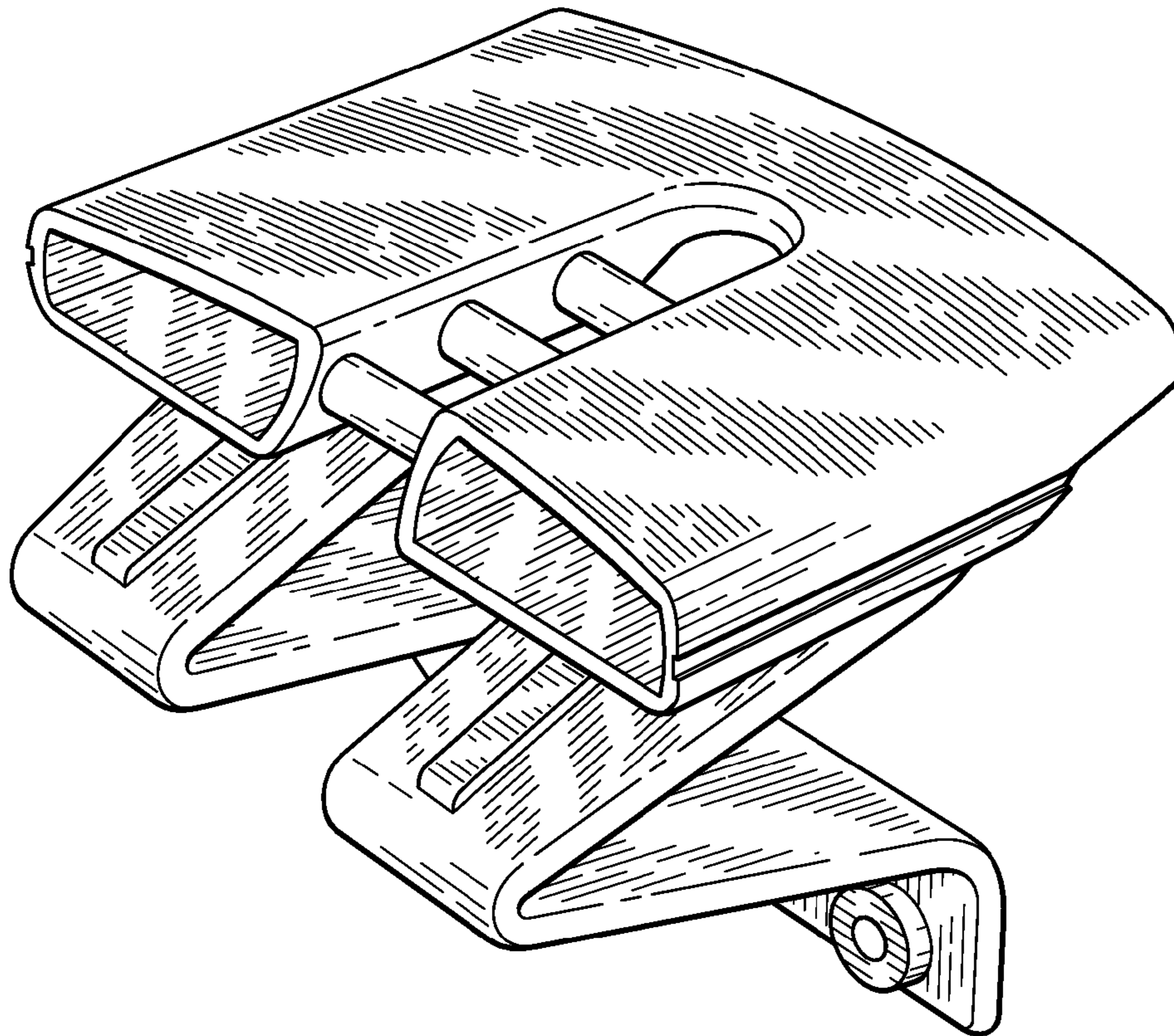
FIG. 4 is a top view of the bedspring;

FIG. 5 is a bottom view of the bedspring; and,

FIG. 6 is a side view of the bedspring.

The broken lines are for environmental purposes only and form no part of the claimed design.

**1 Claim, 3 Drawing Sheets**



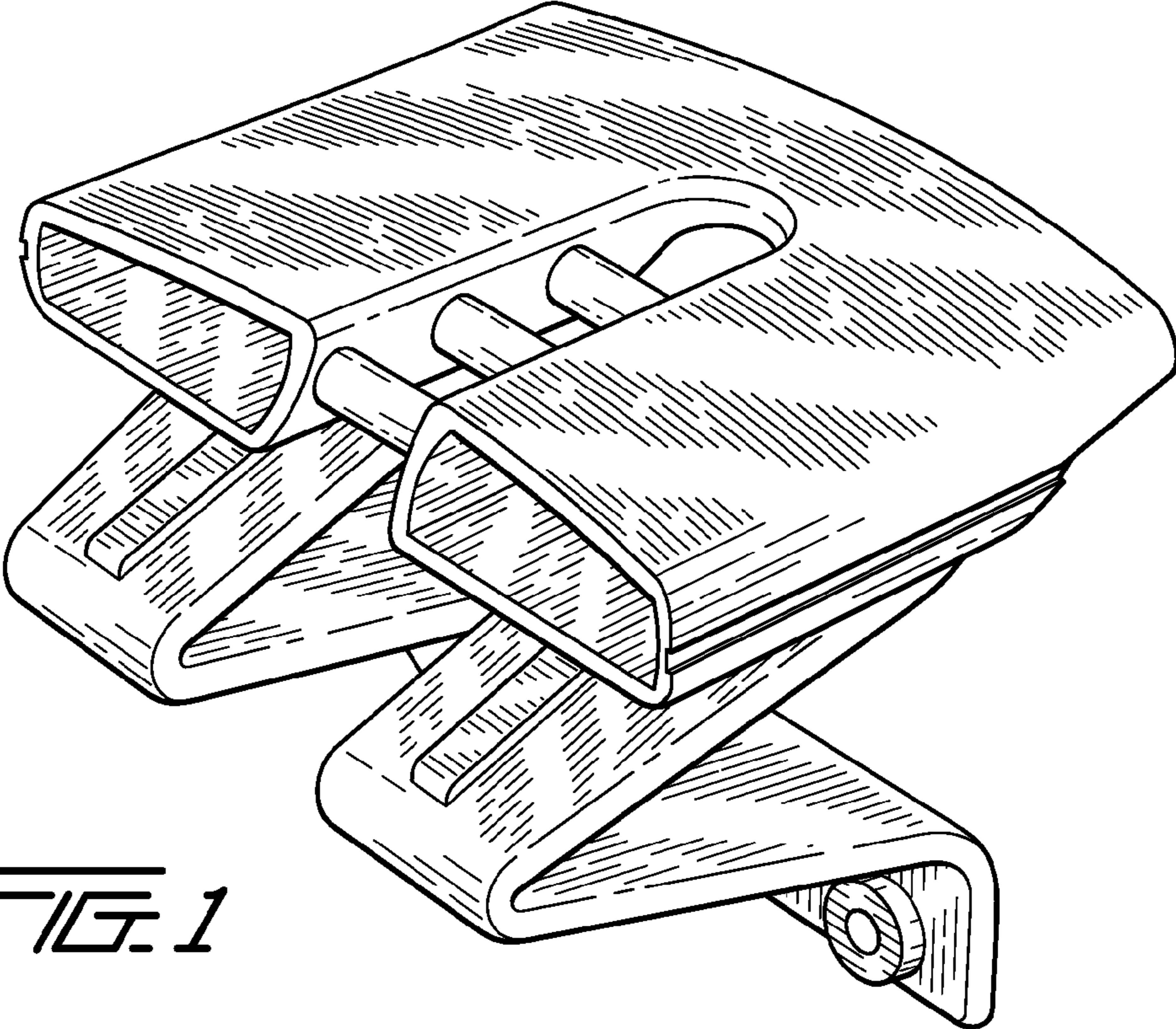


FIG. 1

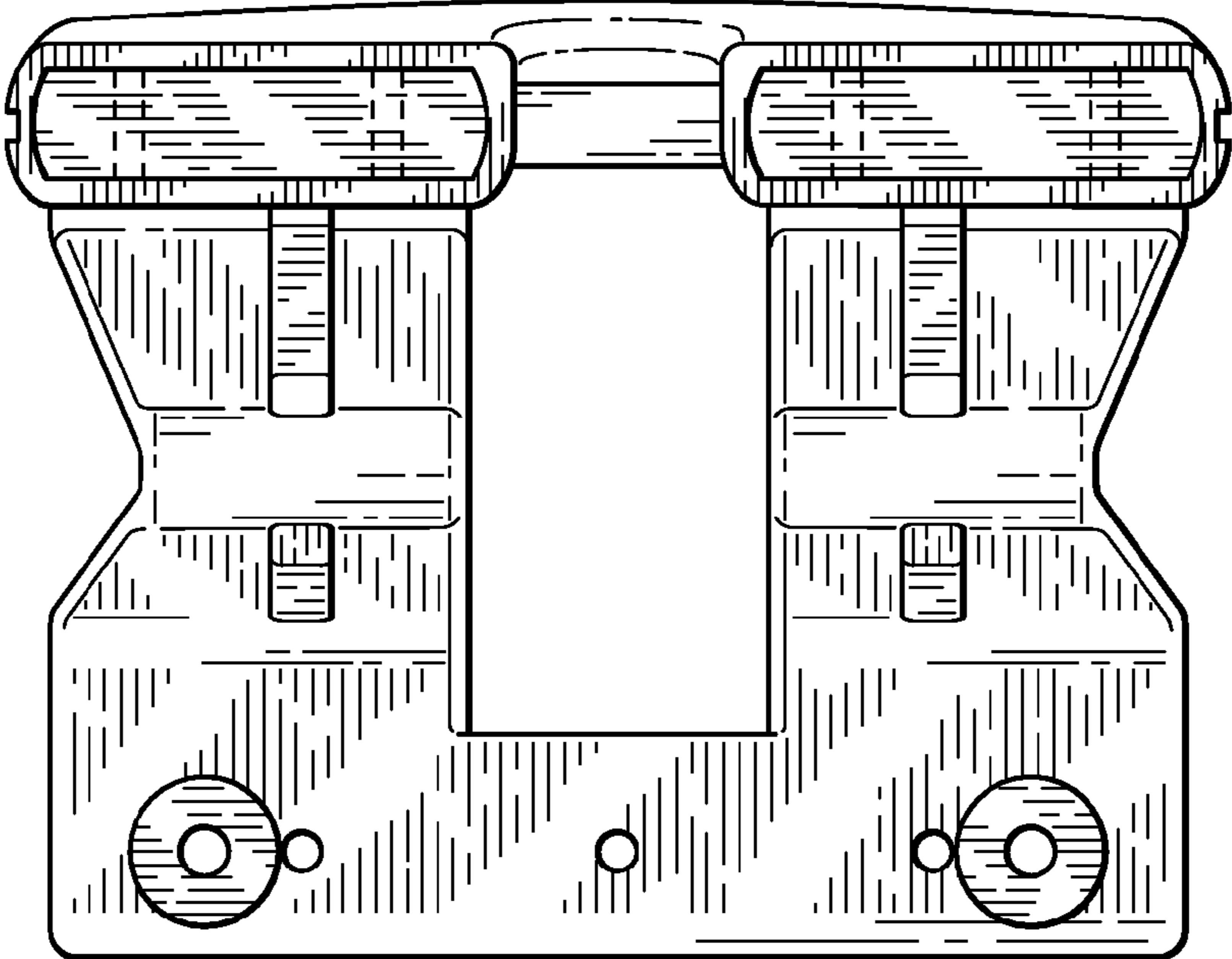


FIG. 2

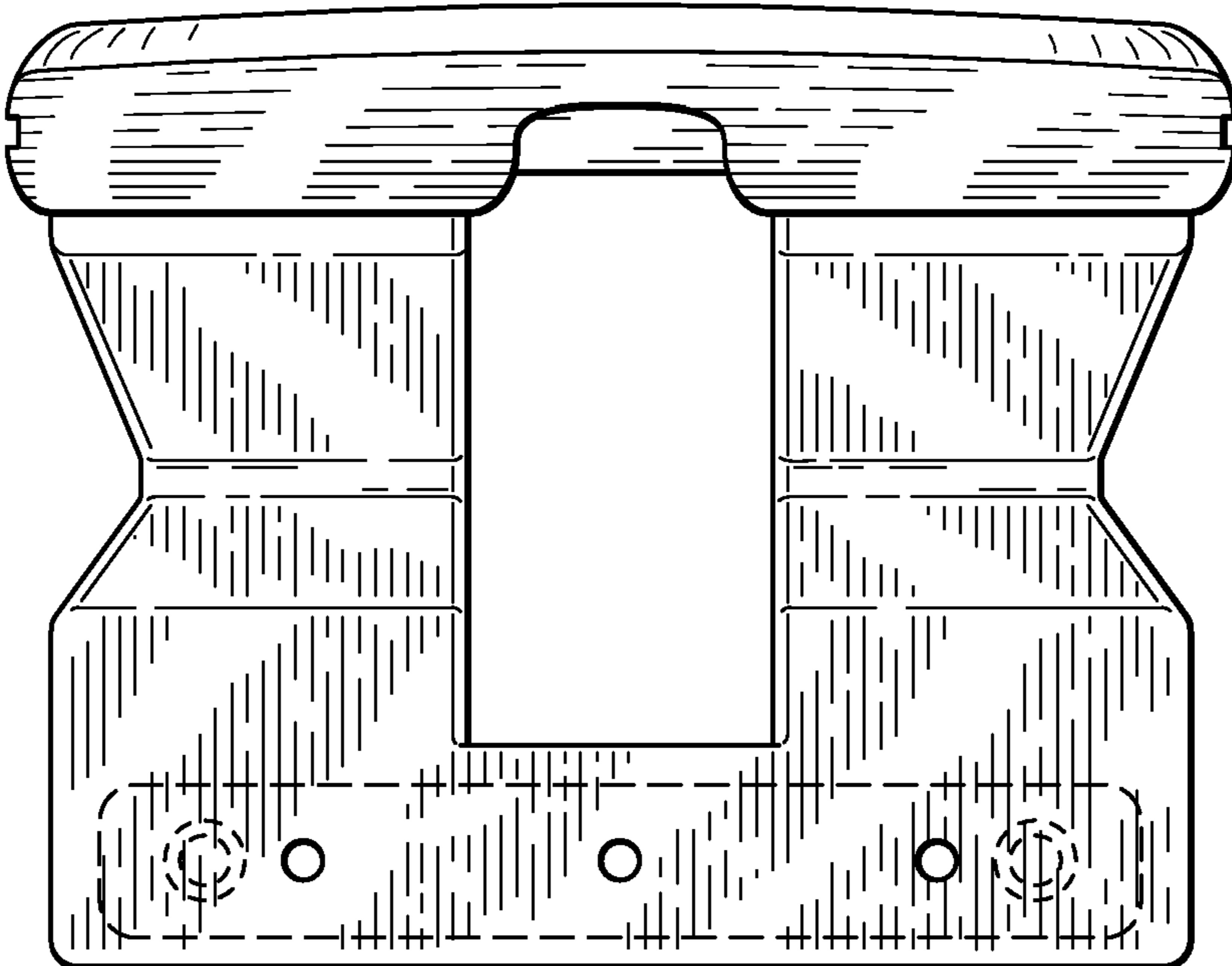


FIG. 3

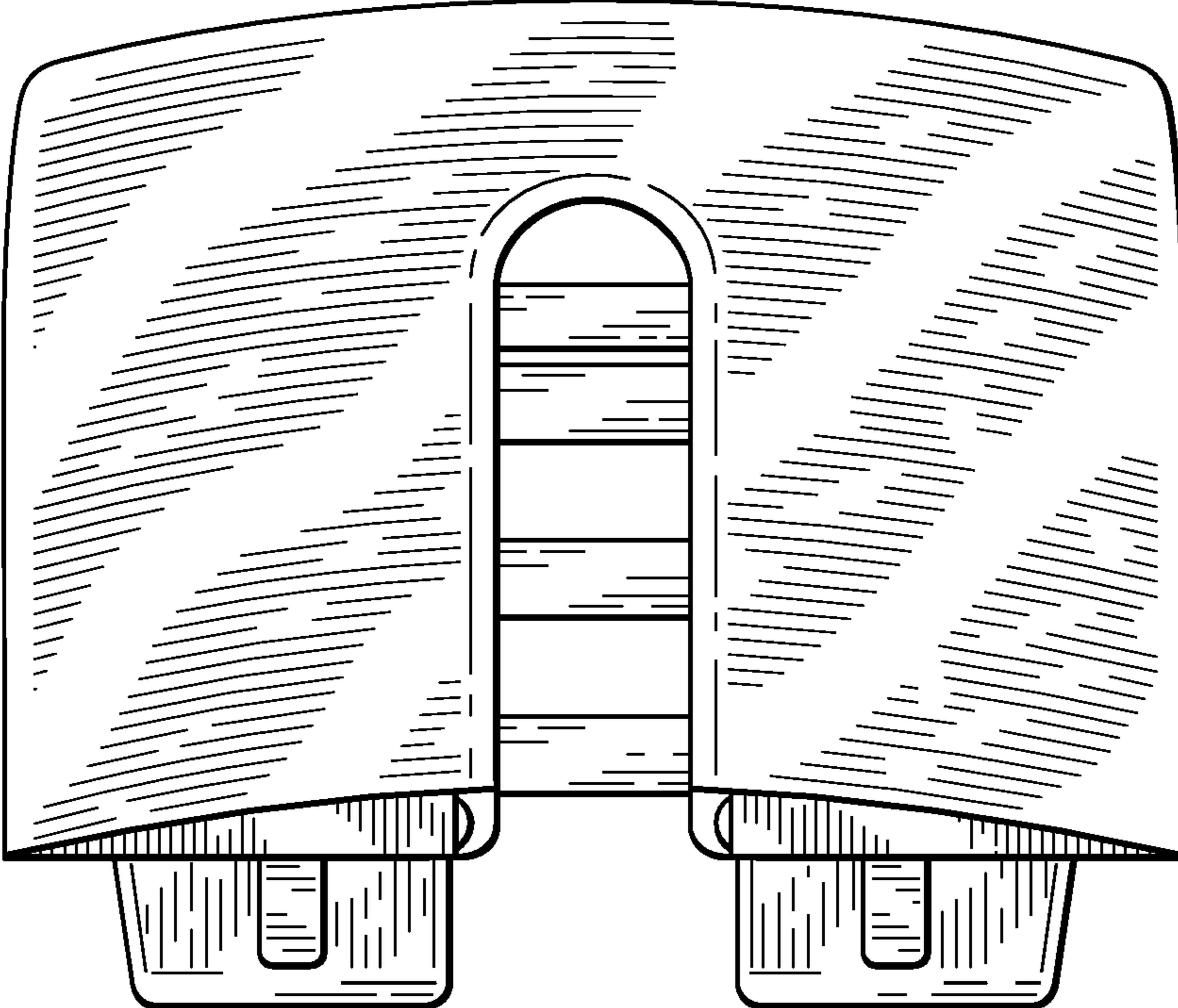


FIG. 4

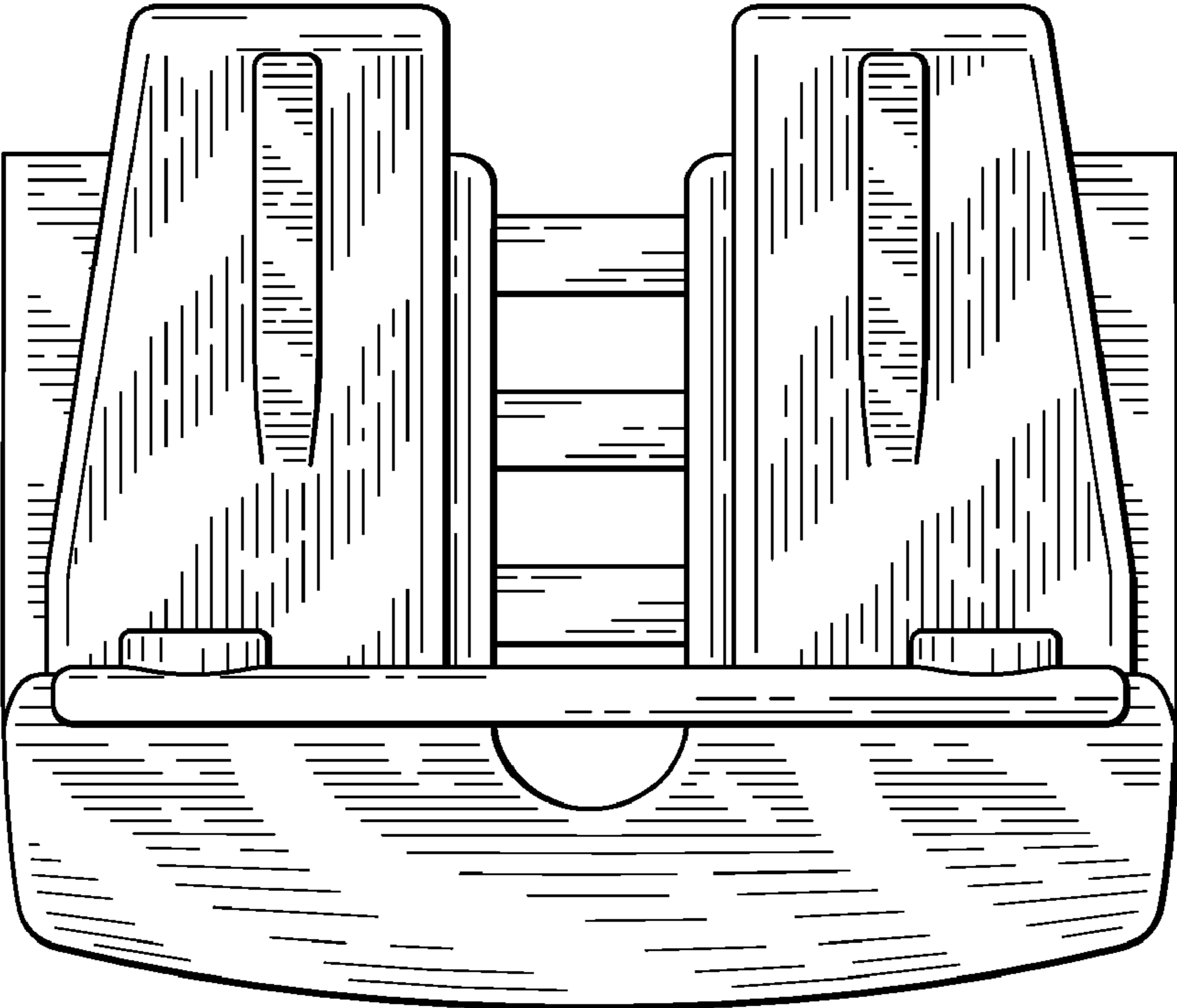


FIG. 5

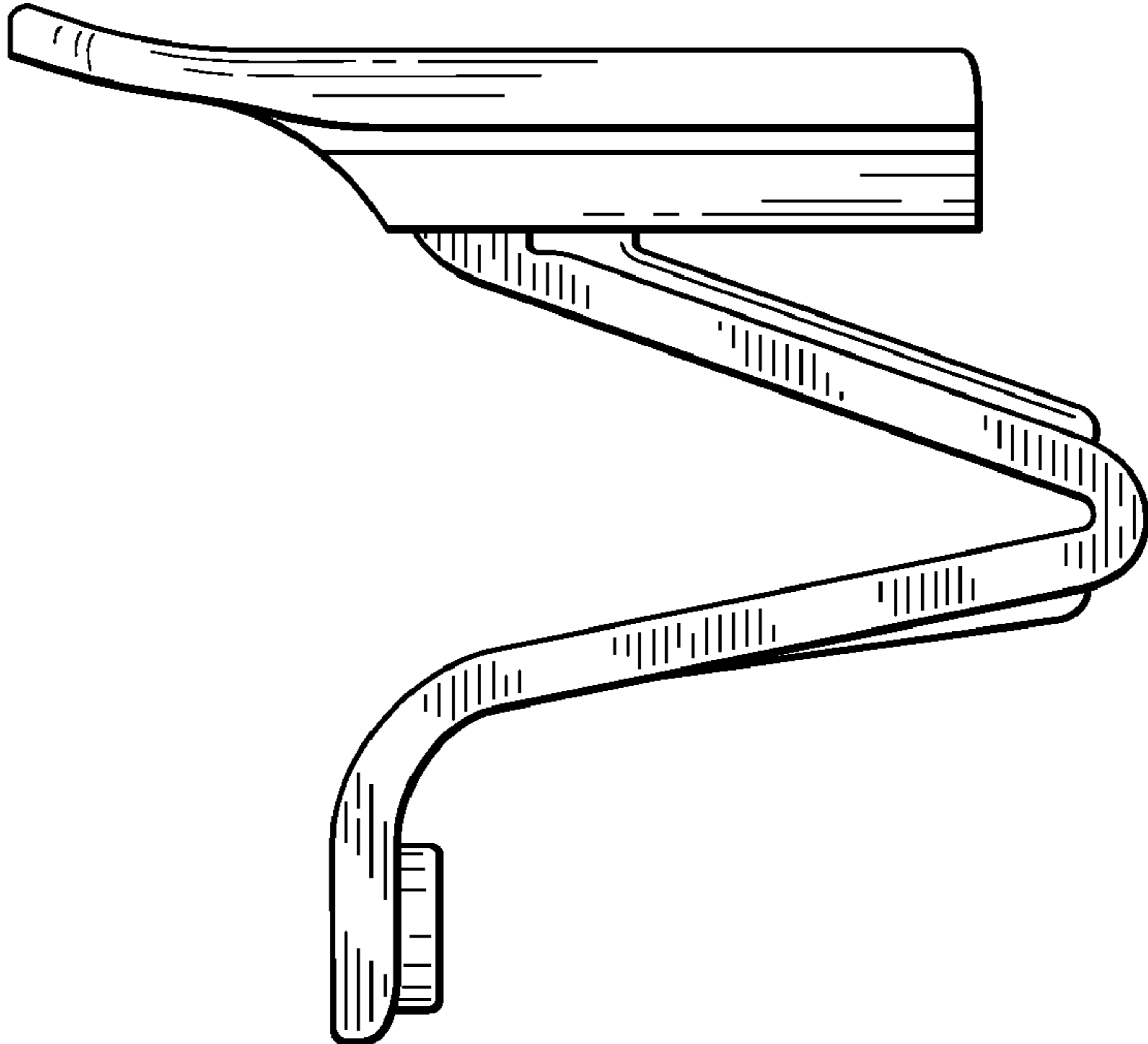


FIG. 6