



US00D597349S

(12) **United States Design Patent**
Wilkinson et al.

(10) **Patent No.:** **US D597,349 S**
(45) **Date of Patent:** **** Aug. 4, 2009**

(54) **CHAIR BACKREST SUPPORT**

(75) Inventors: **Simon Wilkinson**, Leiderdorp (NL);
Rogier Kappelhoff, Amsterdam (NL);
Bryony Gaschy, Bischheim (FR)

(73) Assignee: **Steelcase SA**, Schiltigheim (FR)

(**) Term: **14 Years**

(21) Appl. No.: **29/297,556**

(22) Filed: **Nov. 14, 2007**

(51) **LOC (9) Cl.** **06-01**

(52) **U.S. Cl.** **D6/502**

(58) **Field of Classification Search** D6/334-336,
D6/360-369, 374, 379-380, 498, 500-502;
297/284.4, 411.27, 452.13, 452.19, 452.21,
297/452.29, 452.3, 452.56, 452.64
See application file for complete search history.

(56) **References Cited**

U.S. PATENT DOCUMENTS

D540,578 S *	4/2007	Chen	D6/502
D545,076 S *	6/2007	Dallmann et al.	D6/366
D547,978 S *	8/2007	Machael et al.	D6/500
D548,992 S *	8/2007	Koepke et al.	D6/366
D550,467 S *	9/2007	Koepke et al.	D6/366
D558,994 S *	1/2008	Machael et al.	D6/366
D572,948 S *	7/2008	Wakasugi et al.	D6/500

D573,817 S *	7/2008	Su	D6/502
D580,199 S *	11/2008	Su	D6/502
D585,205 S *	1/2009	Wen	D6/366

* cited by examiner

Primary Examiner—Caron Veynar
Assistant Examiner—Ricky Pham

(74) *Attorney, Agent, or Firm*—Price, Heneveld, Cooper
DeWitt & Litton, LLP

(57) **CLAIM**

The ornamental design for a chair backrest support, as shown
and described.

DESCRIPTION

FIG. 1 is a perspective view of a first embodiment of the chair
backrest support showing our new design;

FIG. 2 is a side elevational view of thereof;

FIG. 3 is a rear elevational view thereof;

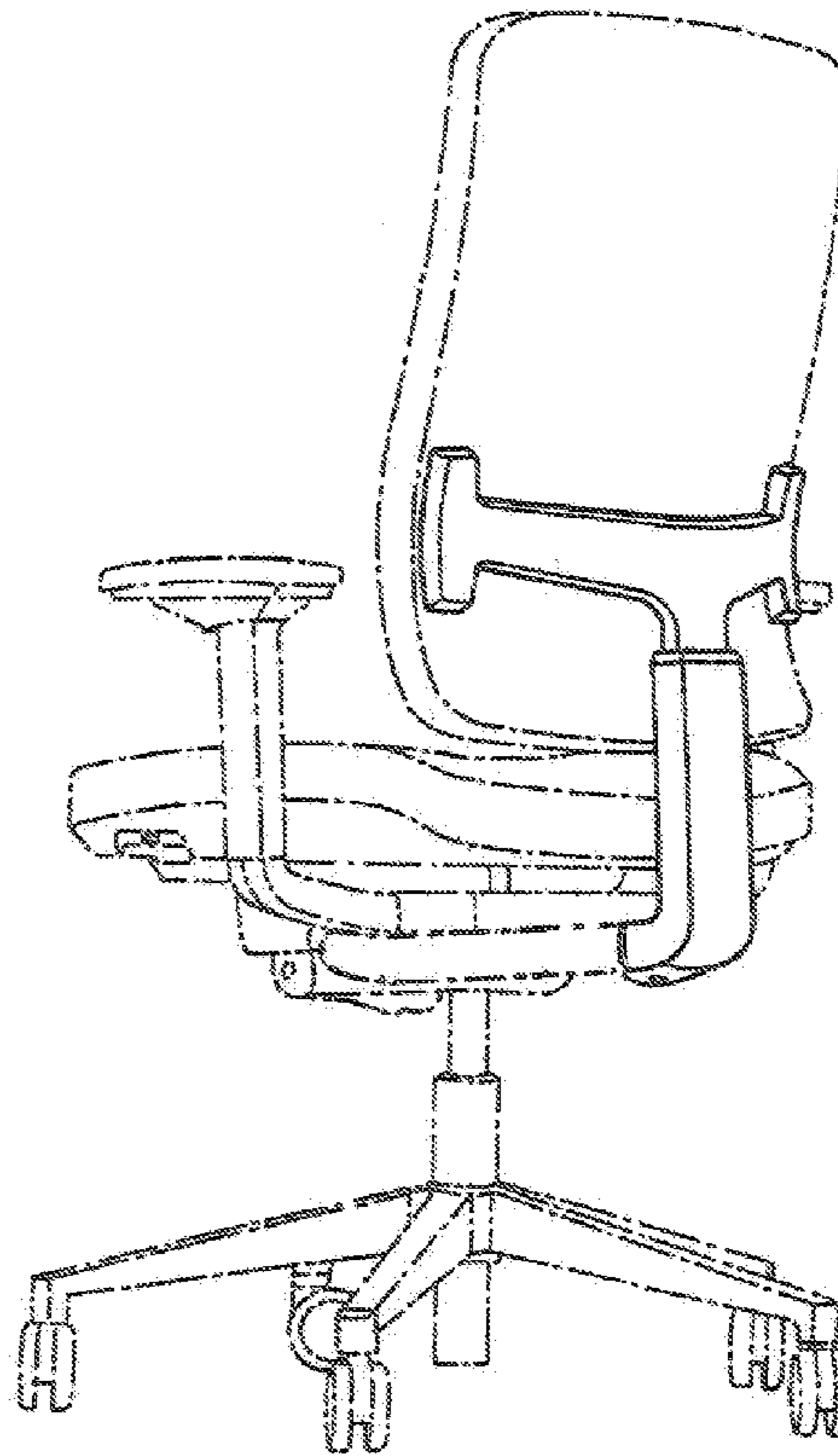
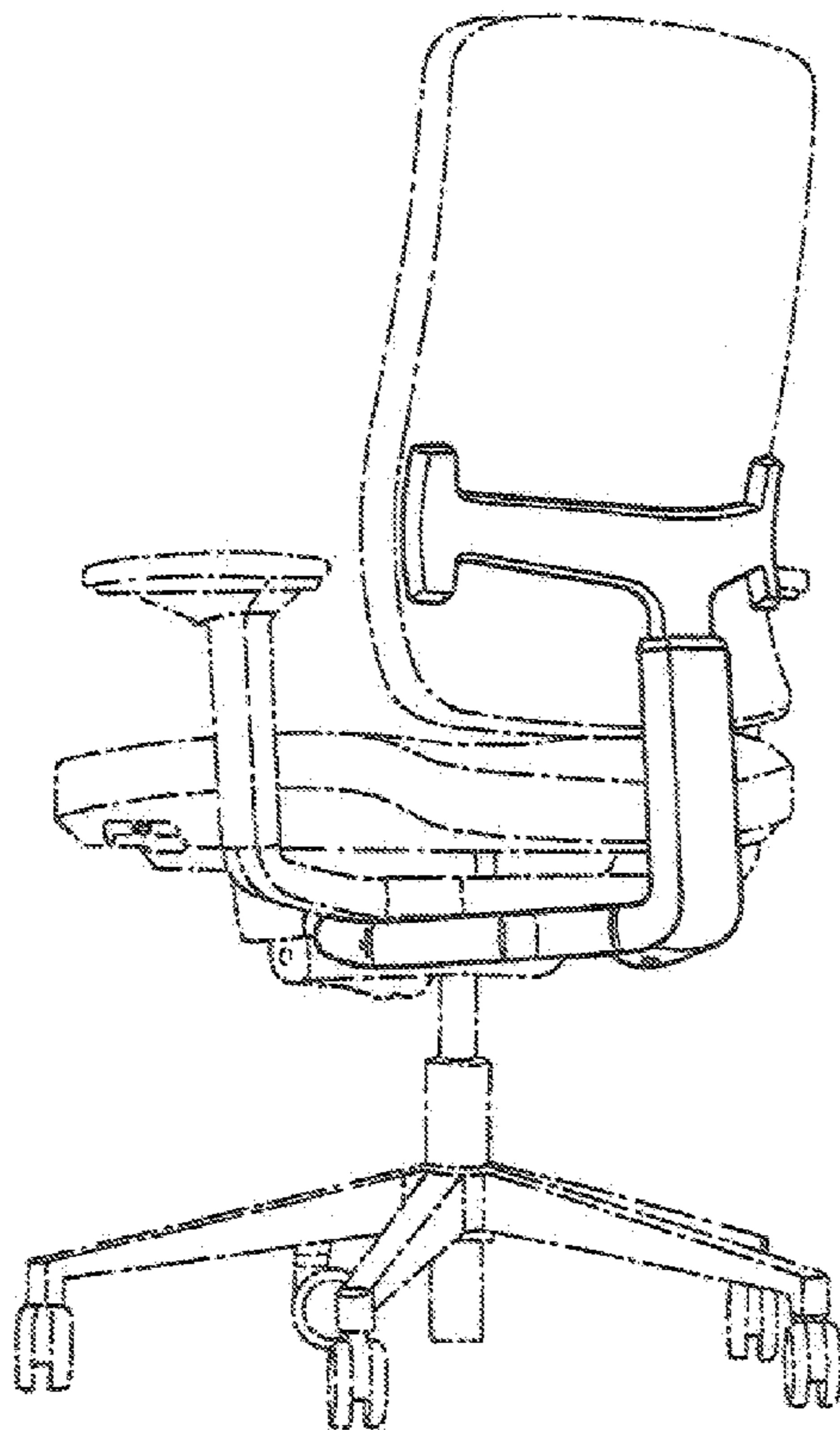
FIG. 4 is a perspective view of a second embodiment of the
chair backrest support;

FIG. 5 is a side elevational view thereof; and,

FIG. 6 is a rear elevational view thereof.

The dashed lines within the figures are for illustrative pur-
poses only and form no part of the claimed invention.

1 Claim, 6 Drawing Sheets



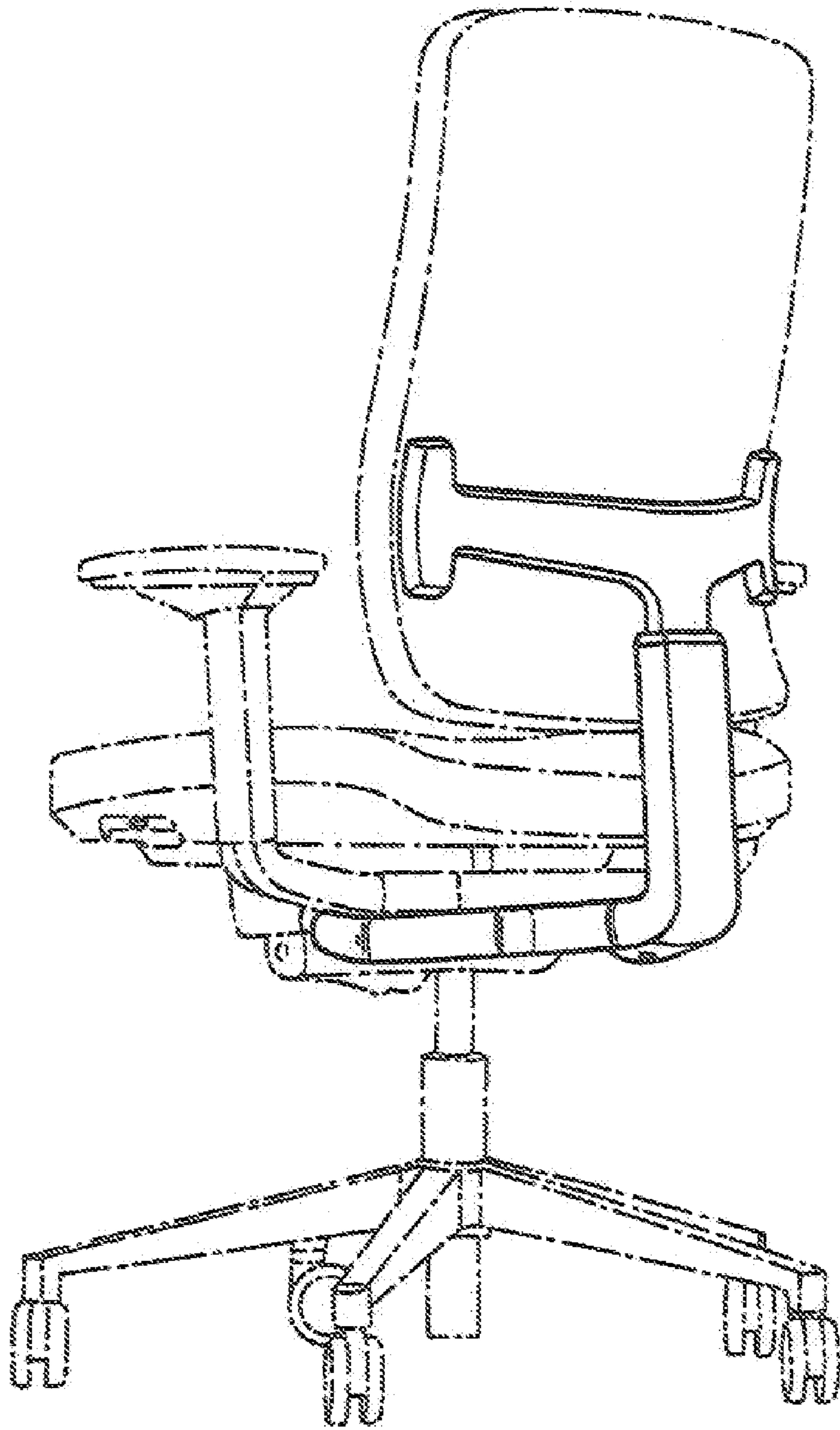


FIG. 1

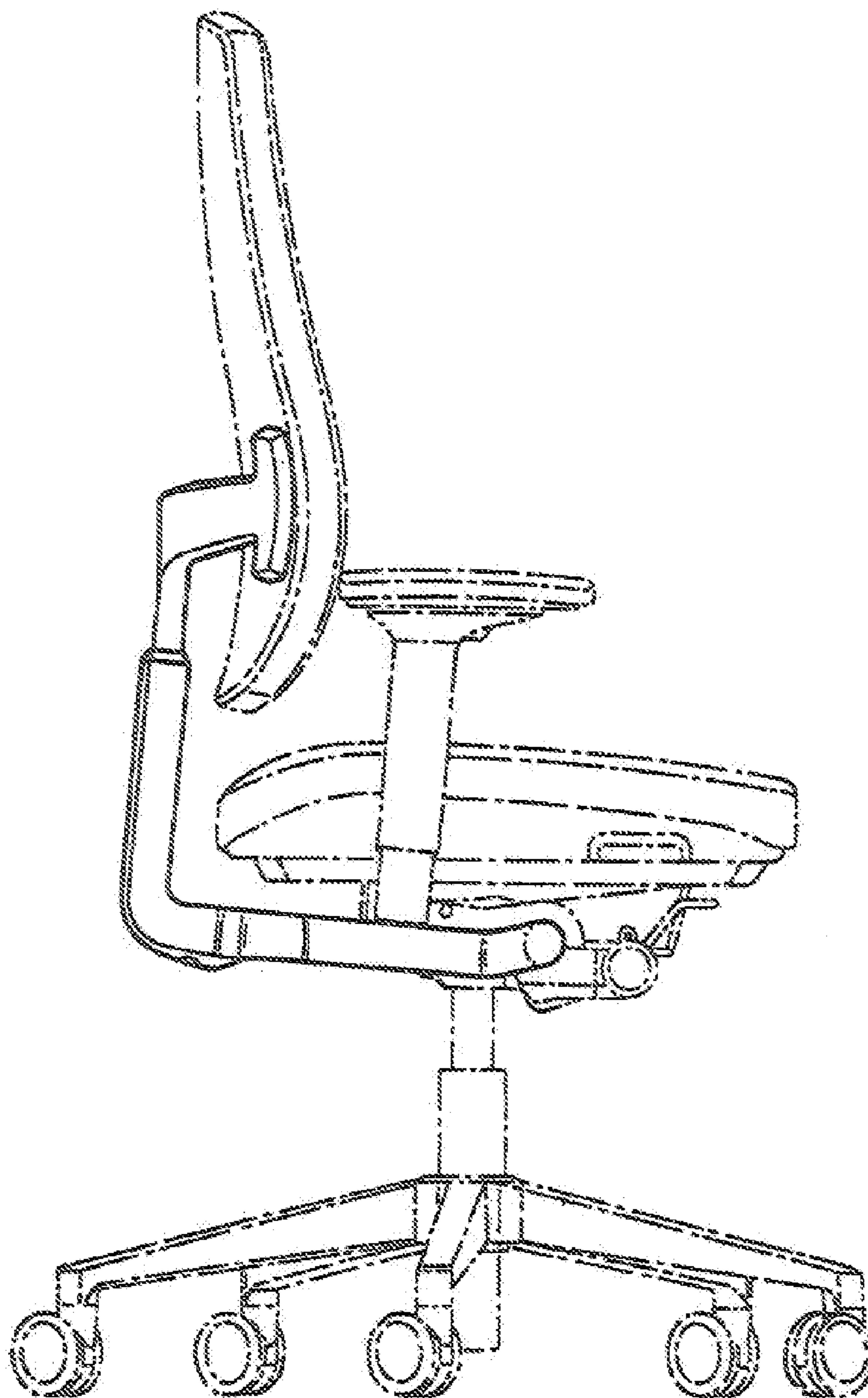


FIG. 2

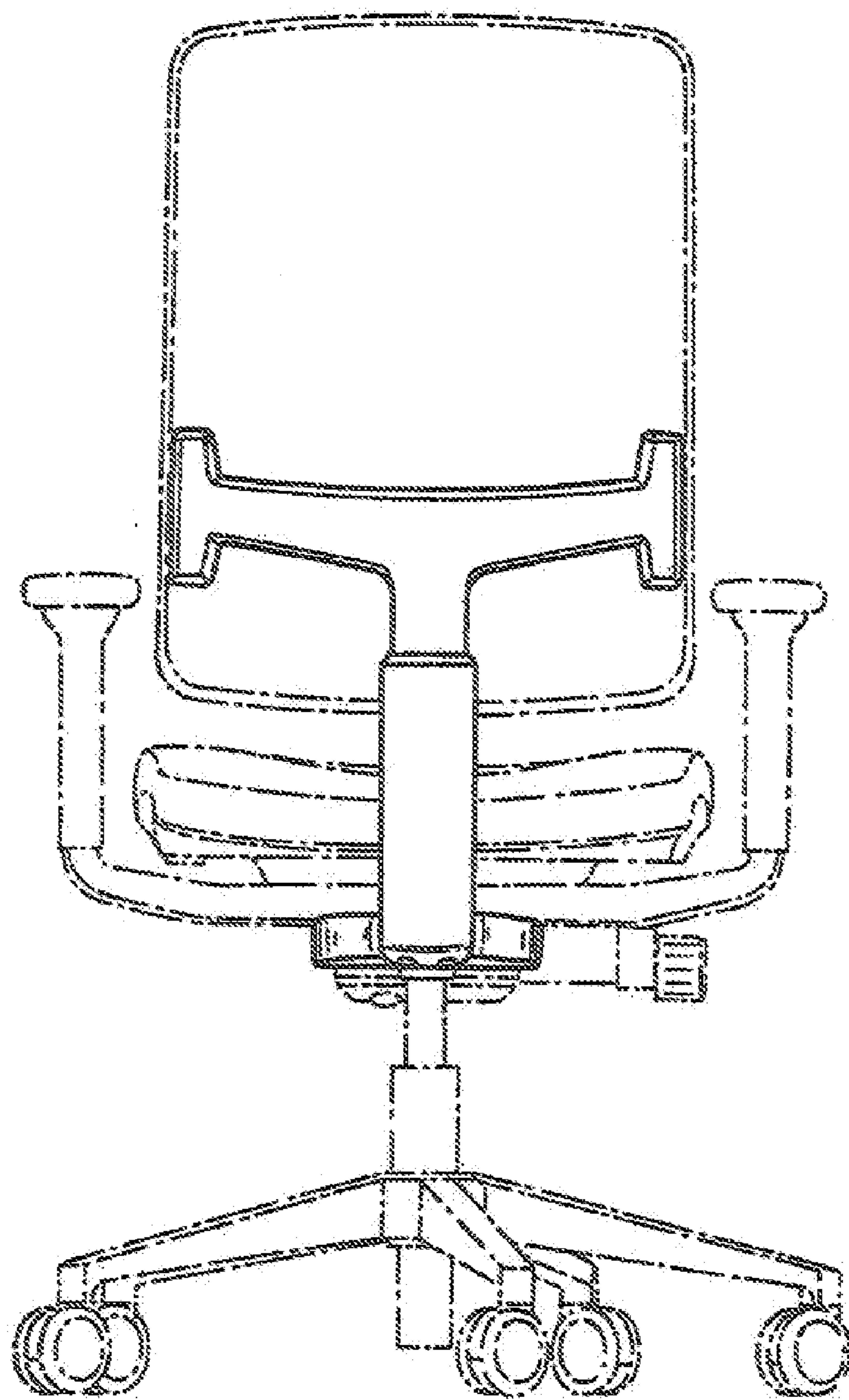


FIG. 3

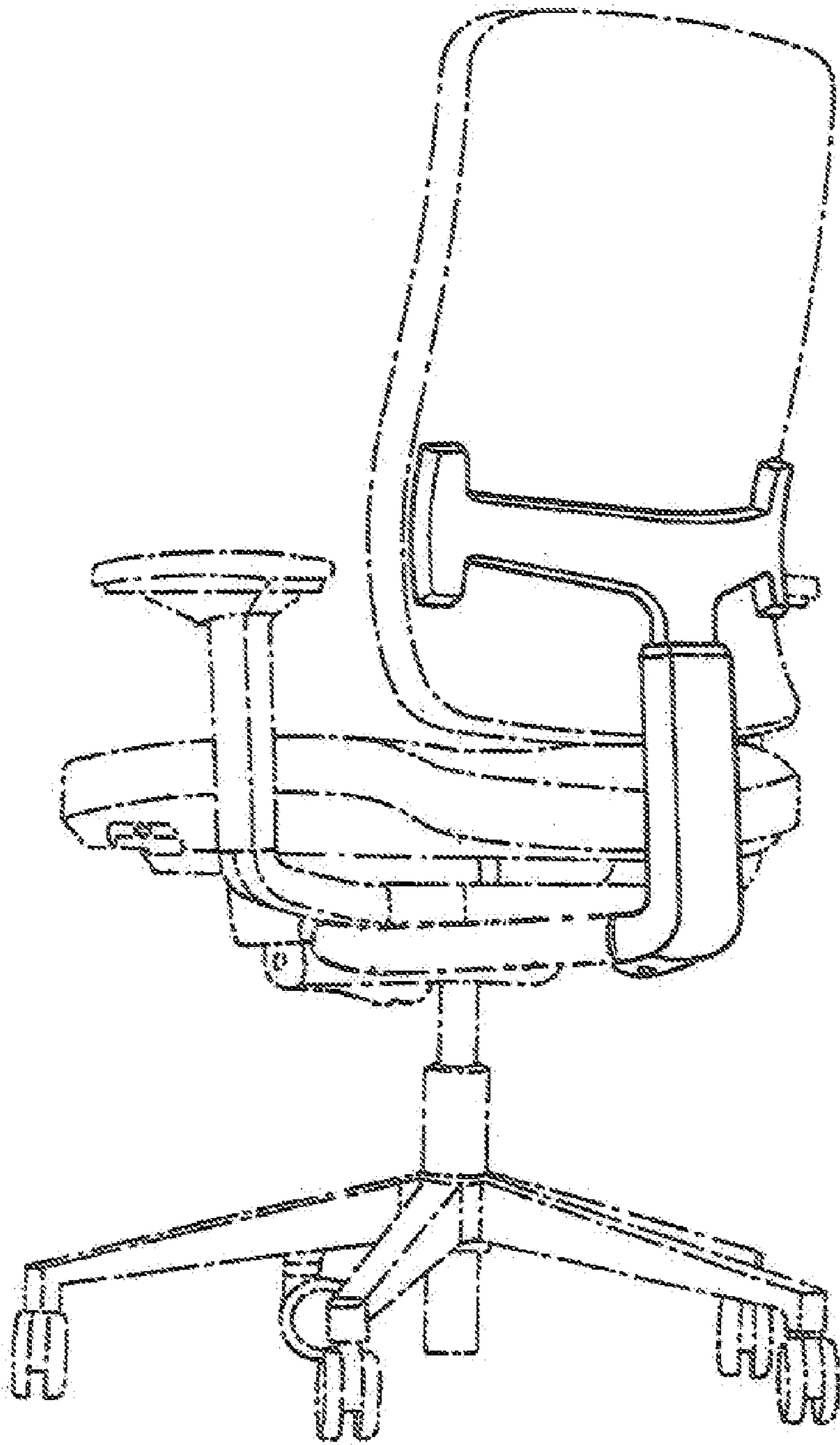


FIG. 4

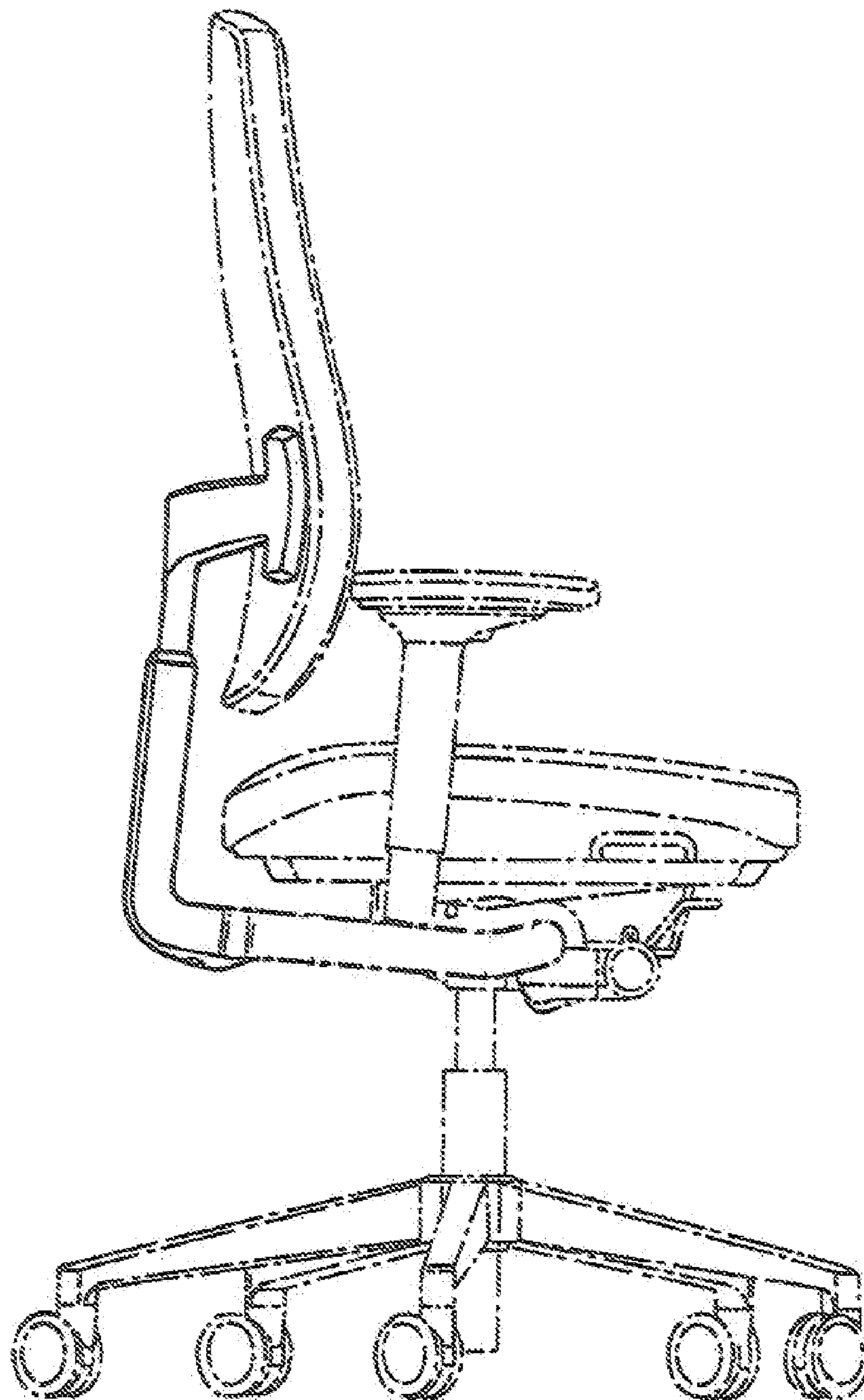


FIG. 5

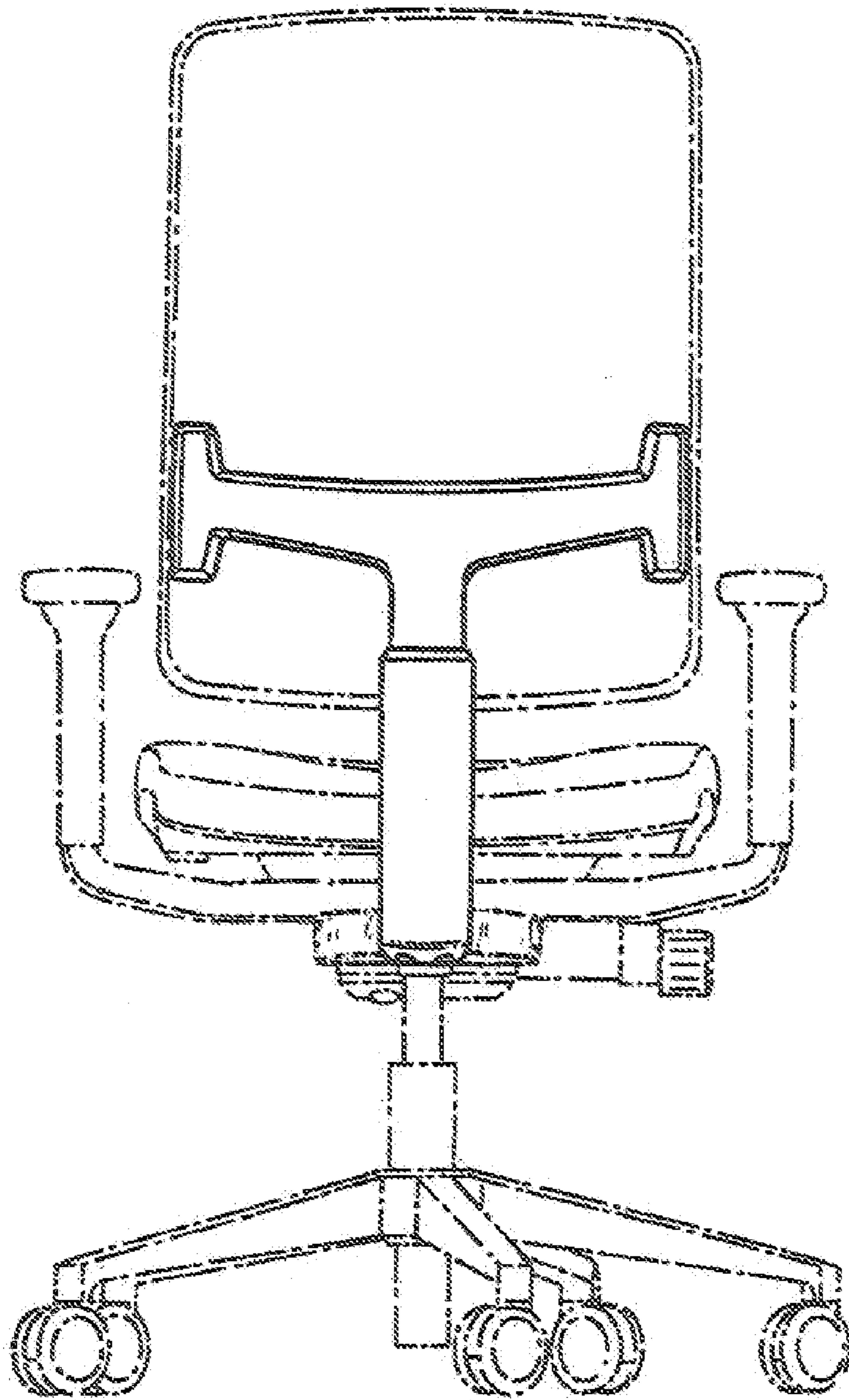


FIG. 6

UNITED STATES PATENT AND TRADEMARK OFFICE
CERTIFICATE OF CORRECTION

PATENT NO. : Des. 597,349 S
APPLICATION NO. : 29/297556
DATED : August 4, 2009
INVENTOR(S) : Wilkinson et al.

Page 1 of 1

It is certified that error appears in the above-identified patent and that said Letters Patent is hereby corrected as shown below:

Add Title page item [30]:

Foreign Application Priority Data

May 14, 2007 (EU) European Office For Harmonization 000722624-0001
May 14, 2007 (EU) European Office For Harmonization 000722624-0002
May 14, 2007 (EU) European Office For Harmonization 000722624-0003

Signed and Sealed this

Twenty-fourth Day of November, 2009



David J. Kappos
Director of the United States Patent and Trademark Office