



US00D597341S

(12) **United States Design Patent**
Stein et al.

(10) **Patent No.:** **US D597,341 S**

(45) **Date of Patent:** **** Aug. 4, 2009**

(54) **DRAWER CABINET**

(75) Inventors: **Robert J. Stein**, Aurora, IL (US);
Torrence Anderson, Overland Park, KS
(US)

(73) Assignee: **Suncast Corporation**, Batavia, IL (US)

(**) Term: **14 Years**

(21) Appl. No.: **29/331,866**

(22) Filed: **Feb. 3, 2009**

Related U.S. Application Data

(63) Continuation of application No. 11/245,594, filed on
Oct. 7, 2005.

(51) **LOC (9) Cl.** **06-04**

(52) **U.S. Cl.** **D6/446**

(58) **Field of Classification Search** D6/470,
D6/432, 436, 444-448, 336, 397, 509-511;
312/114, 204, 249.1, 109, 348.4, 138.1, 194,
312/330.1, 332.1; D3/272, 273, 296, 297,
D3/212; D19/75, 86, 92; D9/414; 220/4.27
See application file for complete search history.

(56) **References Cited**

U.S. PATENT DOCUMENTS

D333,197 S * 2/1993 Scheinberg et al. D34/1
D352,859 S * 11/1994 Kirchner et al. D6/627
D365,224 S * 12/1995 Pohlman D6/445
D483,206 S * 12/2003 Schweikarth D6/510

D502,812 S * 3/2005 Zimmerman D3/297
D503,255 S * 3/2005 Lynch et al. D99/43
D504,039 S * 4/2005 Perella et al. D6/446
D510,491 S * 10/2005 Perella et al. D6/446
D528,795 S * 9/2006 Perella et al. D3/297
D583,172 S * 12/2008 Cassel D6/510
D584,052 S * 1/2009 Tseng D3/295

* cited by examiner

Primary Examiner—Caron Veynar

Assistant Examiner—Abraham Bahta

(74) *Attorney, Agent, or Firm*—McHale & Slavin, P.A.

(57) **CLAIM**

The ornamental design for a drawer cabinet, as shown and
described.

DESCRIPTION

FIG. 1 is a top perspective view of the drawer cabinet of the
instant invention;

FIG. 2 is a front view thereof;

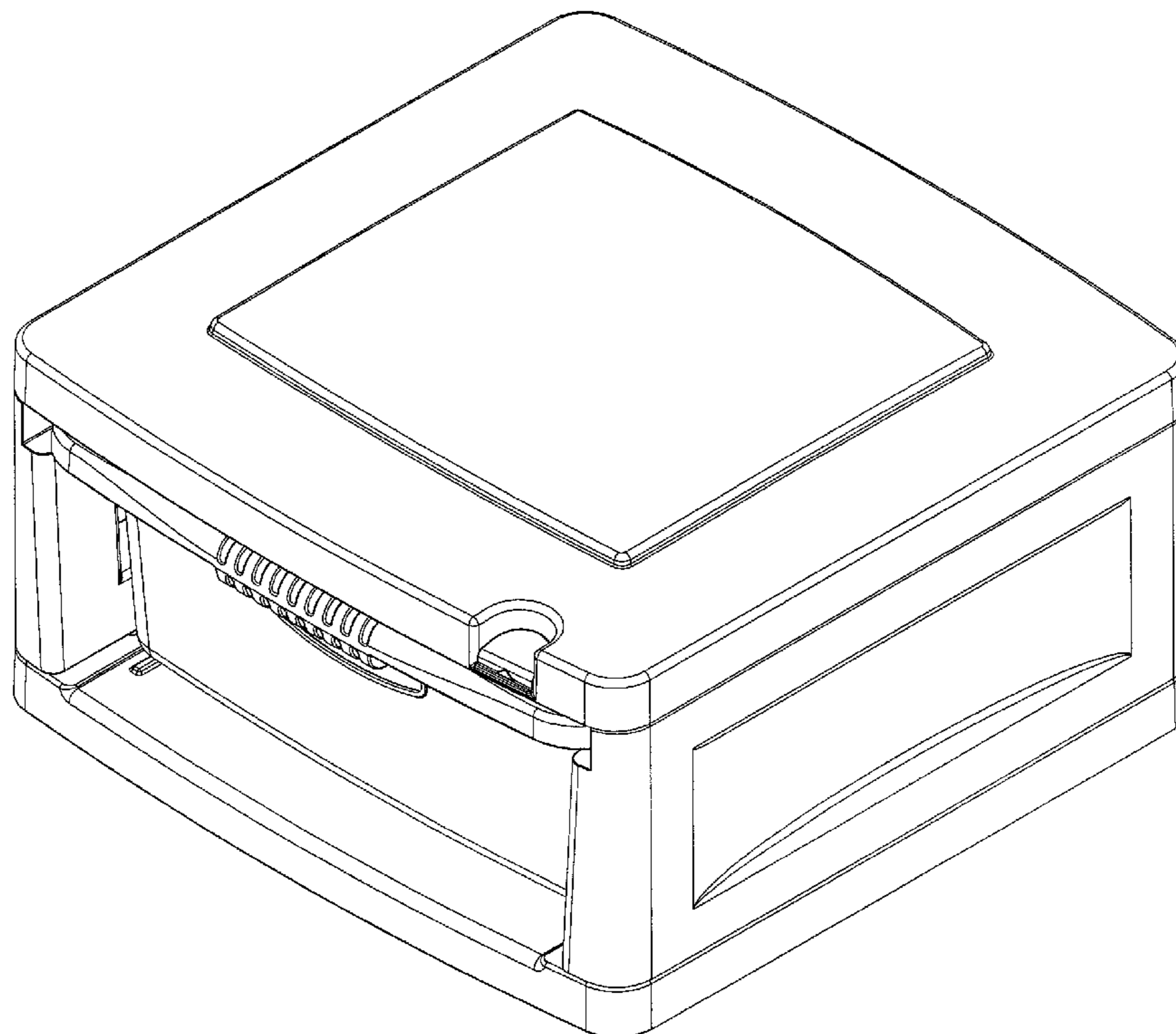
FIG. 3 is a right side view thereof, the left side view being a
mirror image thereof;

FIG. 4 is a top view thereof; and,

FIG. 5 is an environmental view thereof illustrating the
drawer cabinet in a stacked arrangement.

The portions of the Figures shown in broken lines are for
illustrative purposes only and form no part of the claimed
design.

1 Claim, 5 Drawing Sheets



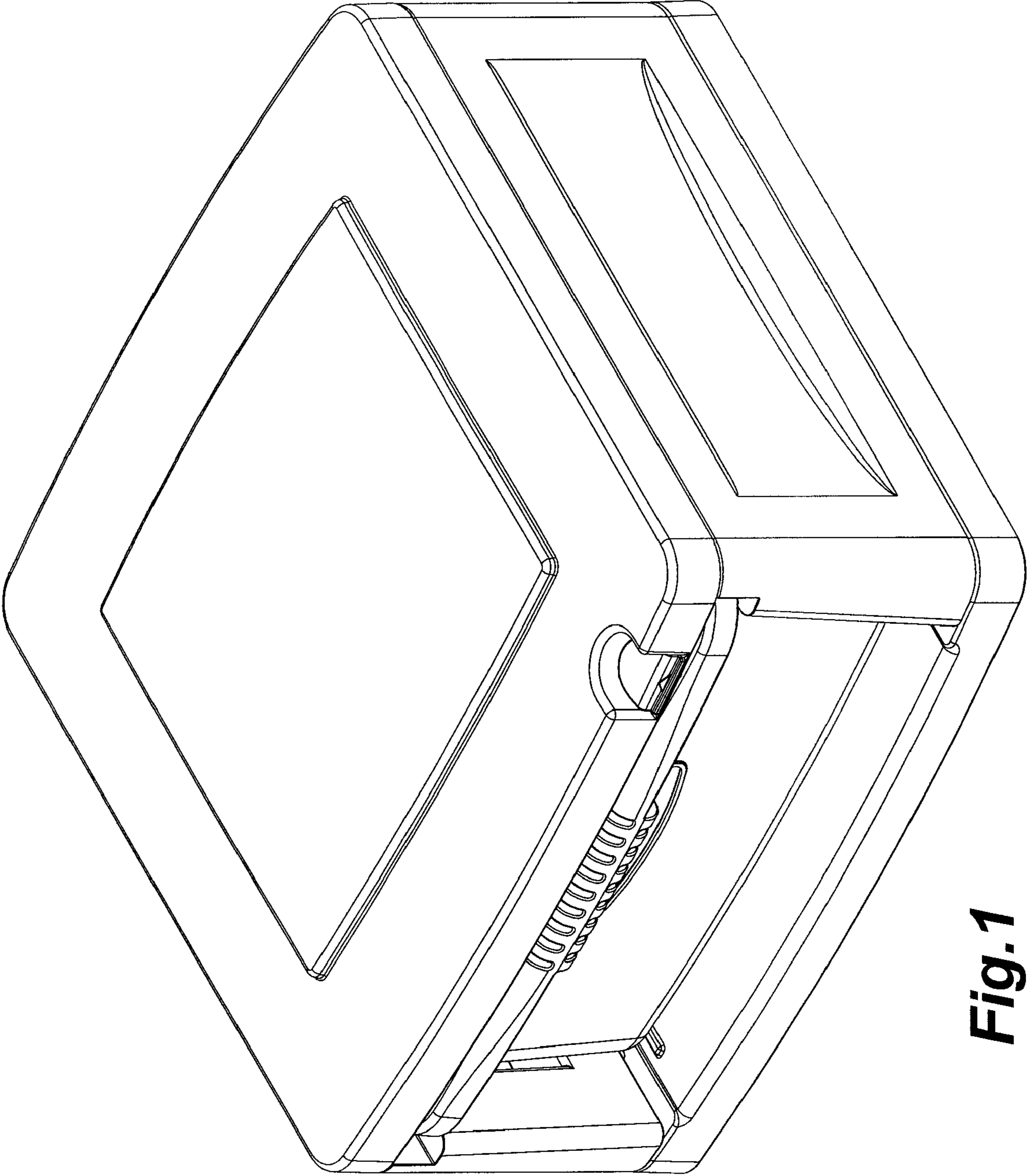


Fig. 1

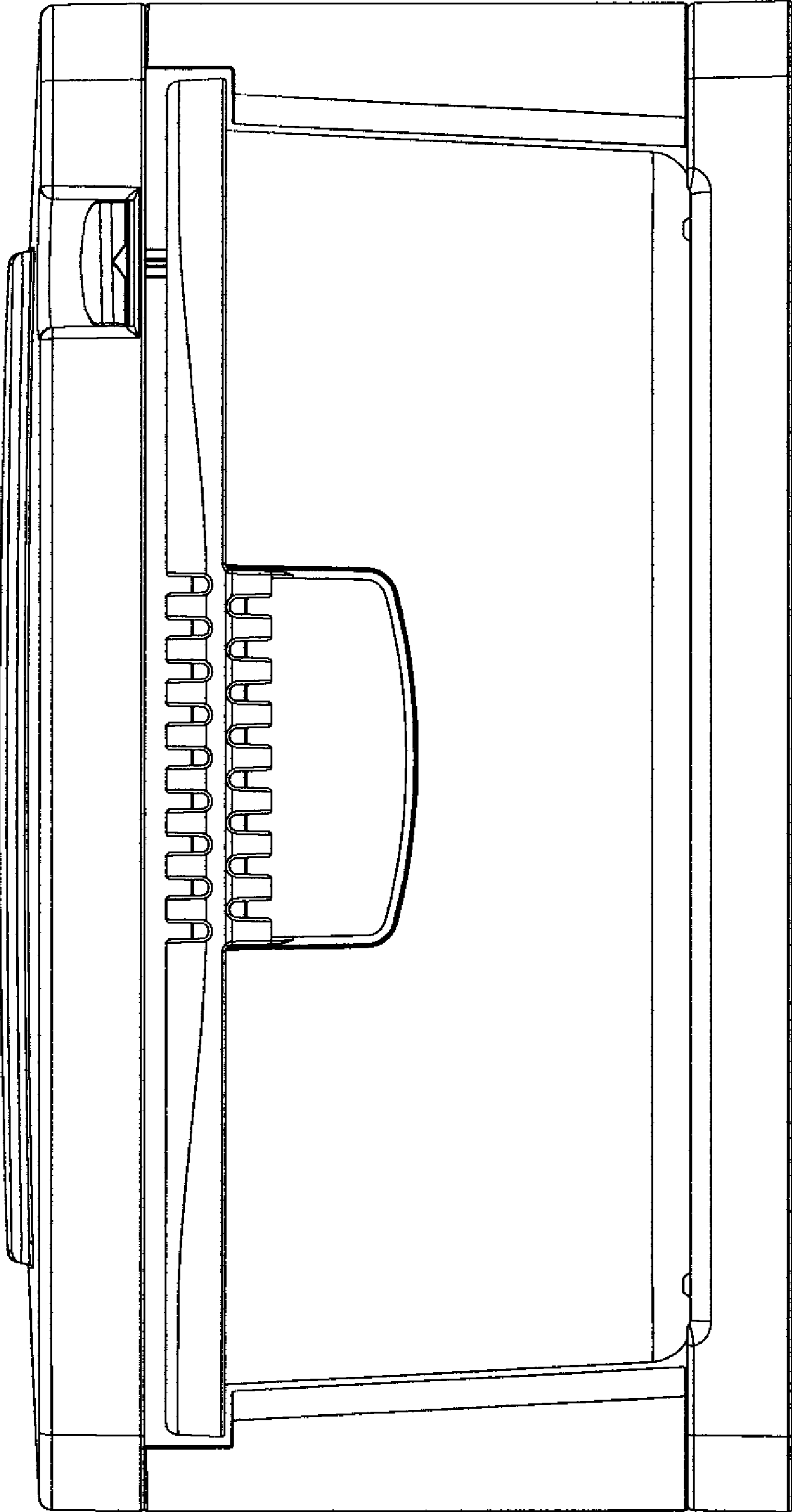


Fig. 2

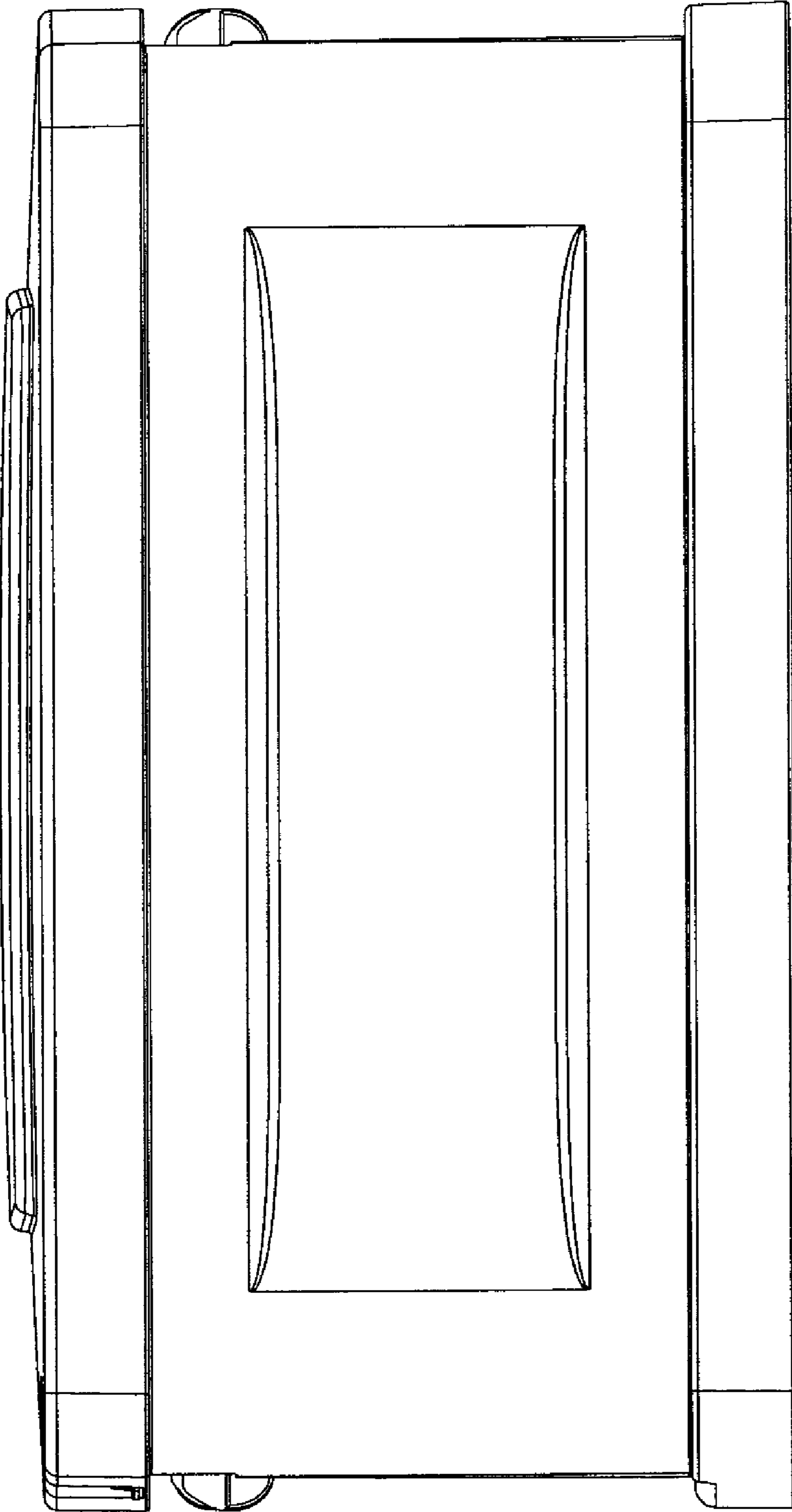


Fig. 3

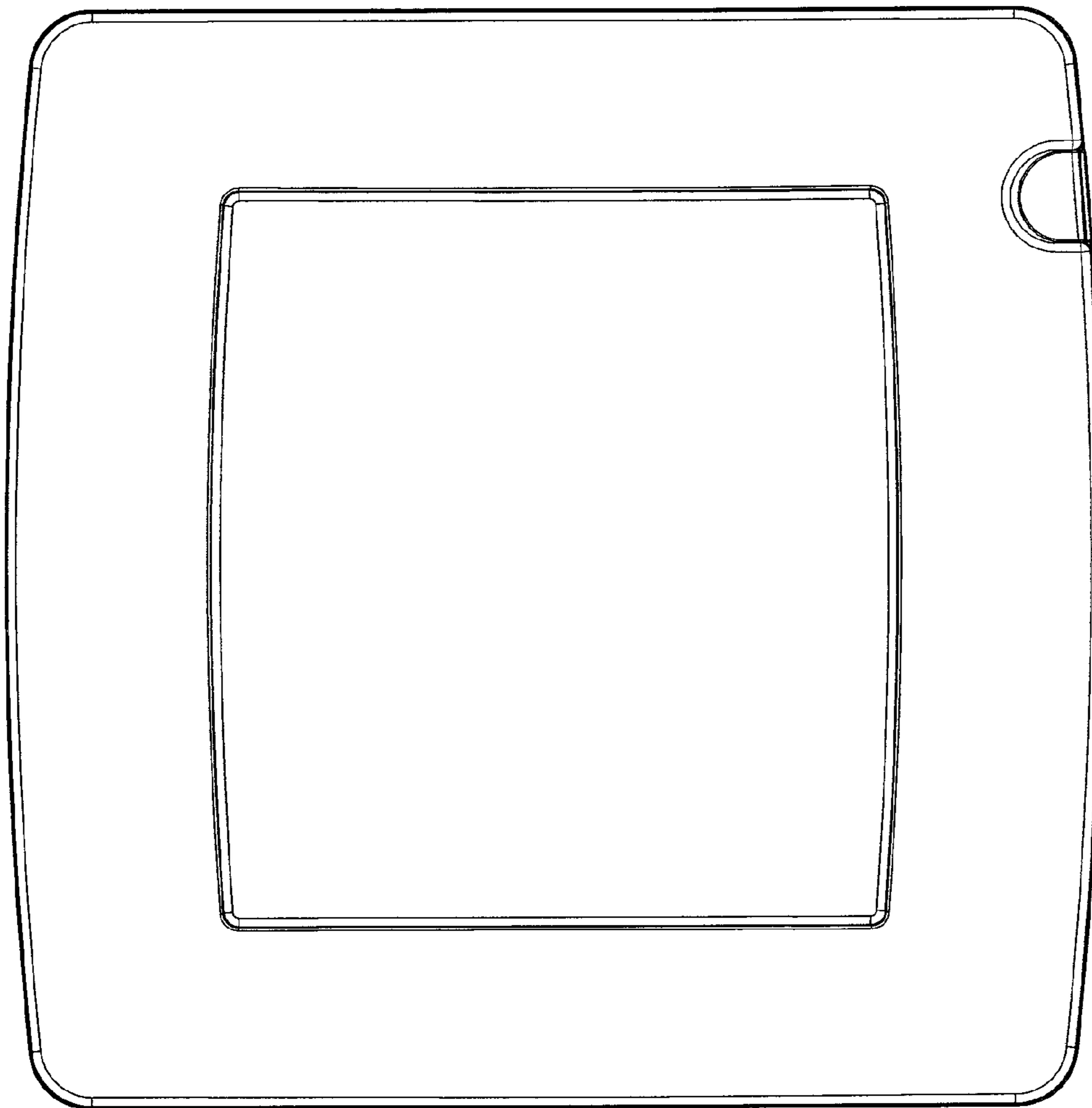


Fig. 4

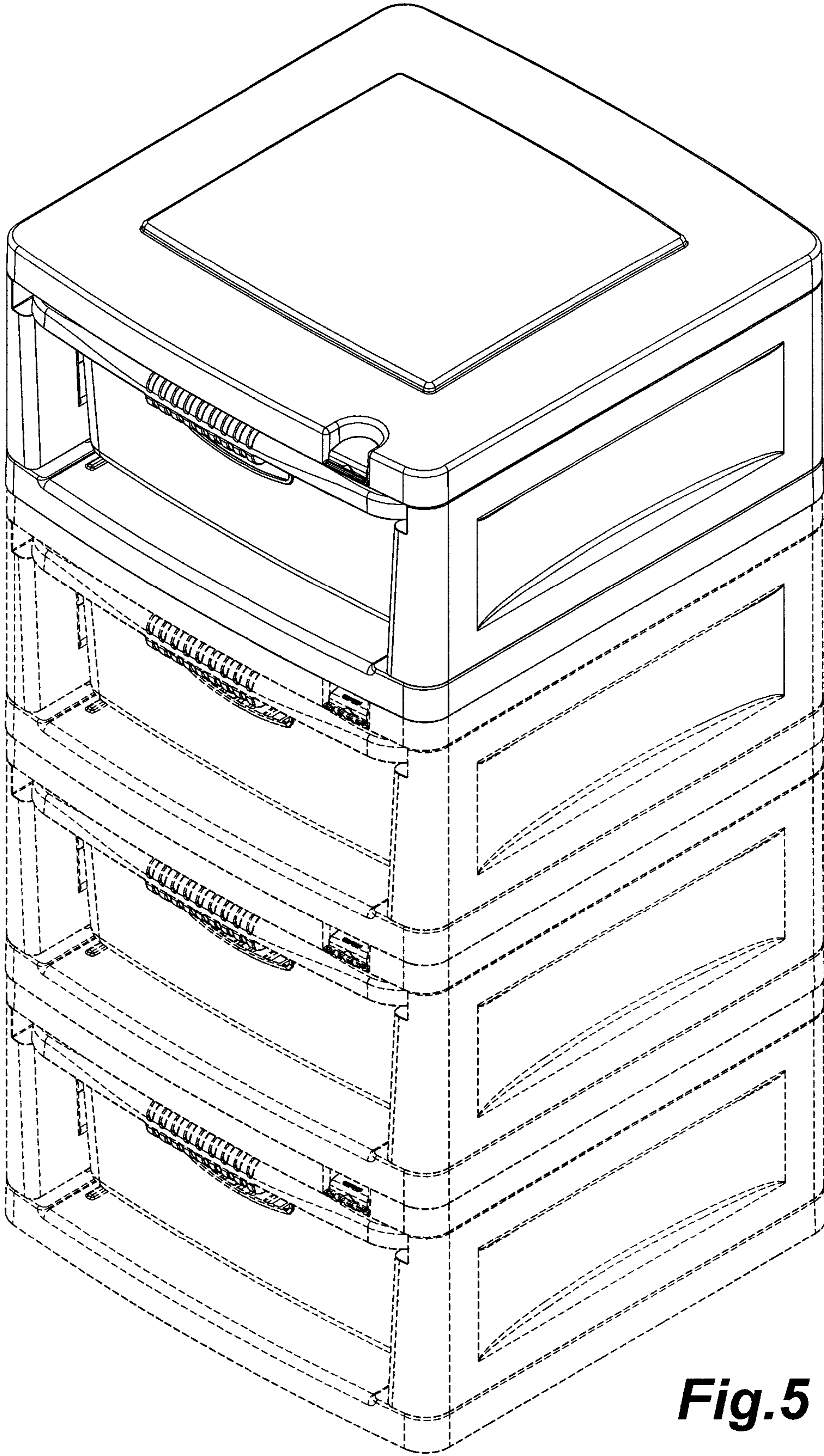


Fig.5