

US00D597338S

(12) **United States Design Patent**  
**Scagliusi**

(10) **Patent No.:** **US D597,338 S**

(45) **Date of Patent:** **\*\* Aug. 4, 2009**

(54) **SOFA**

(75) **Inventor:** **Modesto Scagliusi**, Polignano a Mare (IT)

(73) **Assignee:** **Soft Line S.p.A.**, Modugno (BA) (IT)

(\*\*) **Term:** **14 Years**

(21) **Appl. No.:** **29/335,216**

(22) **Filed:** **Apr. 10, 2009**

(51) **LOC (9) Cl.** ..... **06-01**

(52) **U.S. Cl.** ..... **D6/381**

(58) **Field of Classification Search** ..... D6/334,  
D6/349, 355, 364, 370, 374, 378, 381, 382,  
D6/383, 491, 495, 500–503; 297/68, 232,  
297/233, 353, 445.1, 448.1, 448.2, DIG. 7;  
5/12.1, 12.2

See application file for complete search history.

(56) **References Cited**

**U.S. PATENT DOCUMENTS**

D439,759 S *	4/2001	Natuzzi et al.	.....	D6/381
D514,348 S *	2/2006	Natuzzi	.....	D6/381
D528,817 S *	9/2006	Nastri	.....	D6/381

D532,622 S *	11/2006	Nastri	.....	D6/381
D543,048 S *	5/2007	Ricci	.....	D6/381
D543,379 S *	5/2007	Ricci	.....	D6/381
D544,240 S *	6/2007	Ricci	.....	D6/381
D547,968 S *	8/2007	Ricci	.....	D6/381
D567,528 S *	4/2008	Natuzzi	.....	D6/381
D578,796 S *	10/2008	Ricci	.....	D6/381
D590,178 S *	4/2009	Natuzzi	.....	D6/381

\* cited by examiner

*Primary Examiner*—Sandra Snapp

(74) *Attorney, Agent, or Firm*—Egbert Law Offices PLLC

(57) **CLAIM**

The ornamental design for the sofa, as shown and described.

**DESCRIPTION**

FIG. 1 is a front elevation view of the sofa showing my new design.

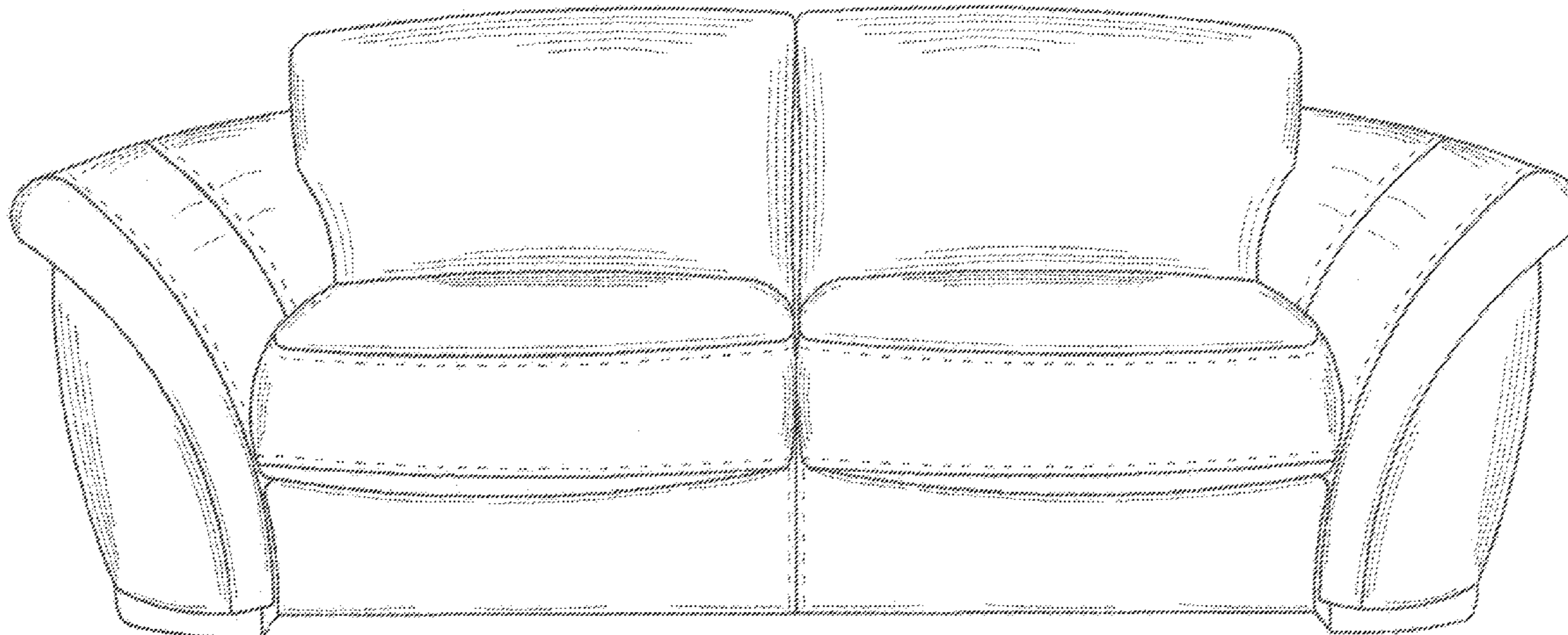
FIG. 2 is a back elevation view thereof;

FIG. 3 is a side elevation view thereof; and,

FIG. 4 is an opposite side elevation view thereof.

The dashed lines are presented to represent stitching lines.

**1 Claim, 3 Drawing Sheets**



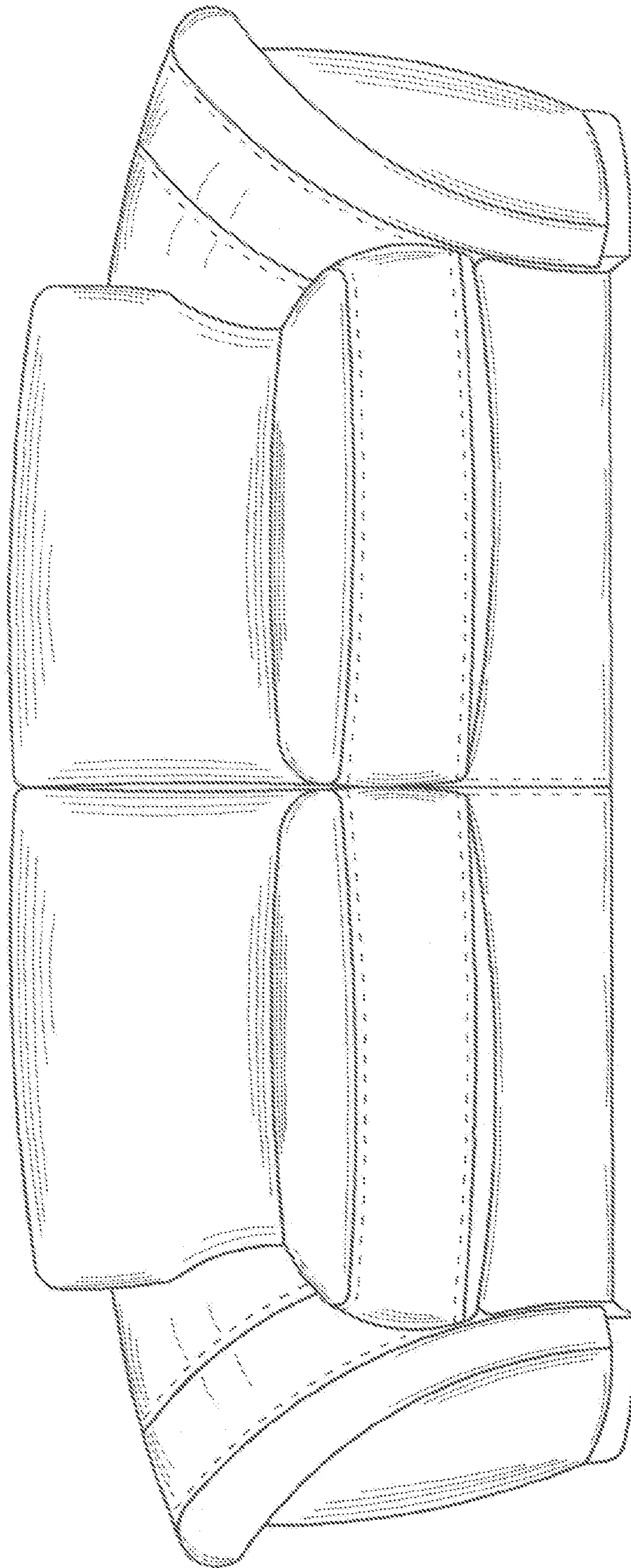


FIG. 1

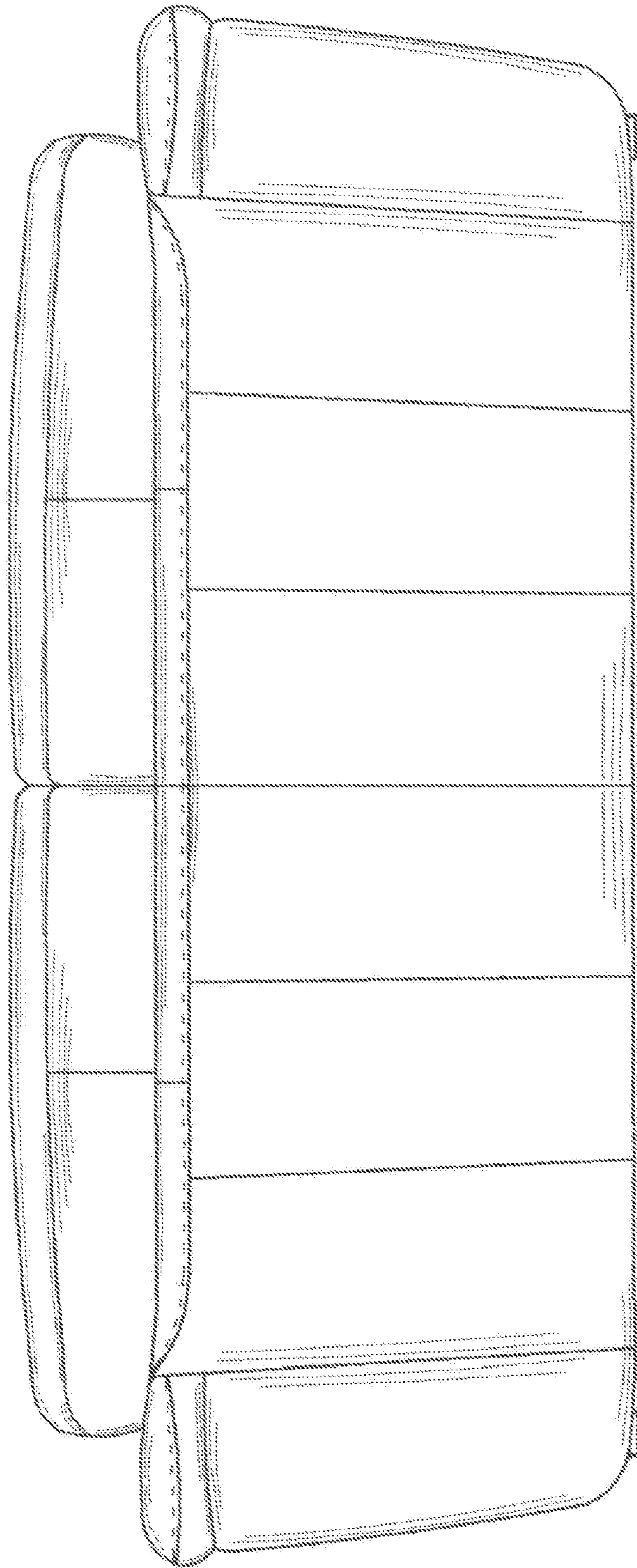


FIG. 2

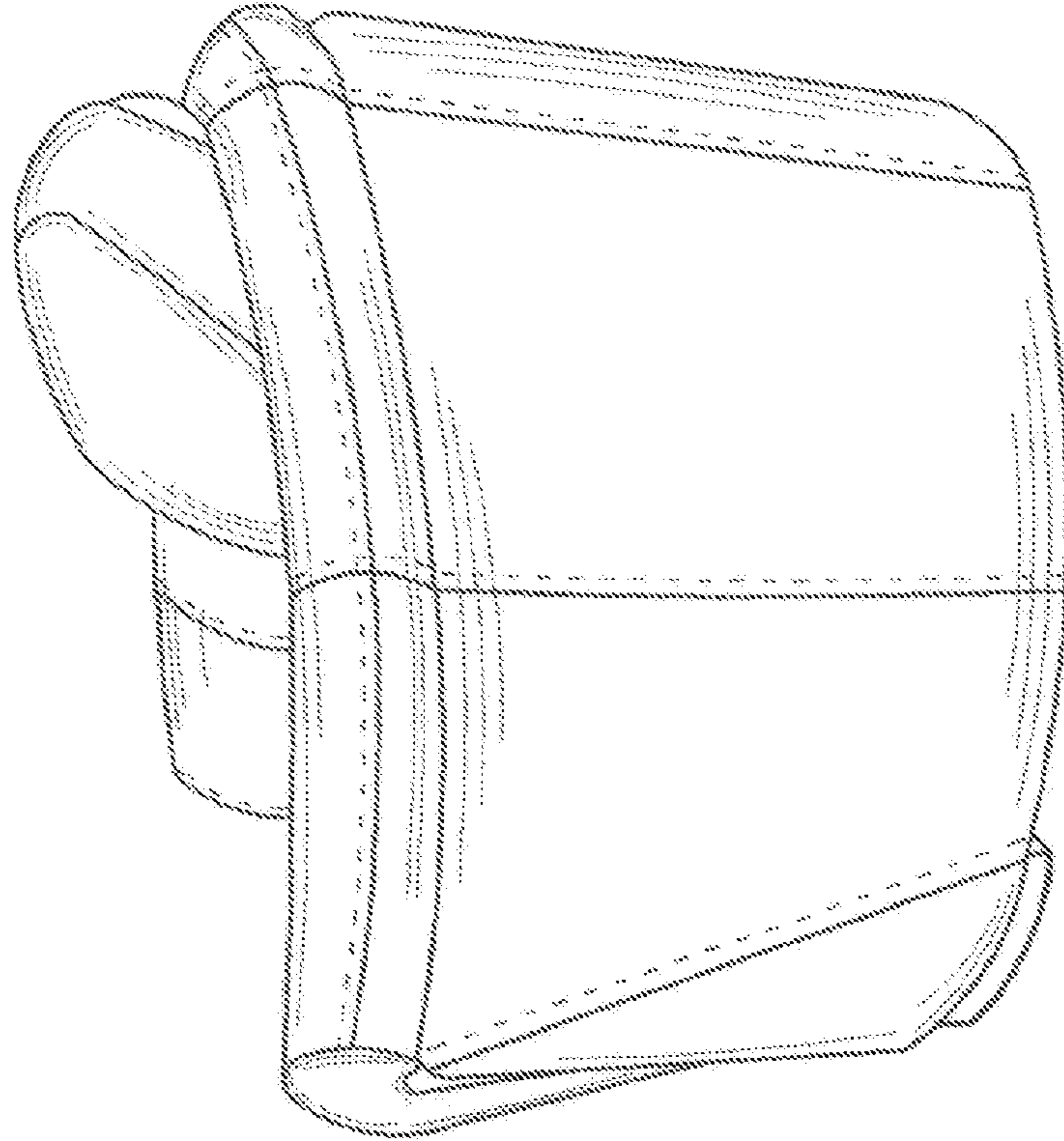


FIG. 4

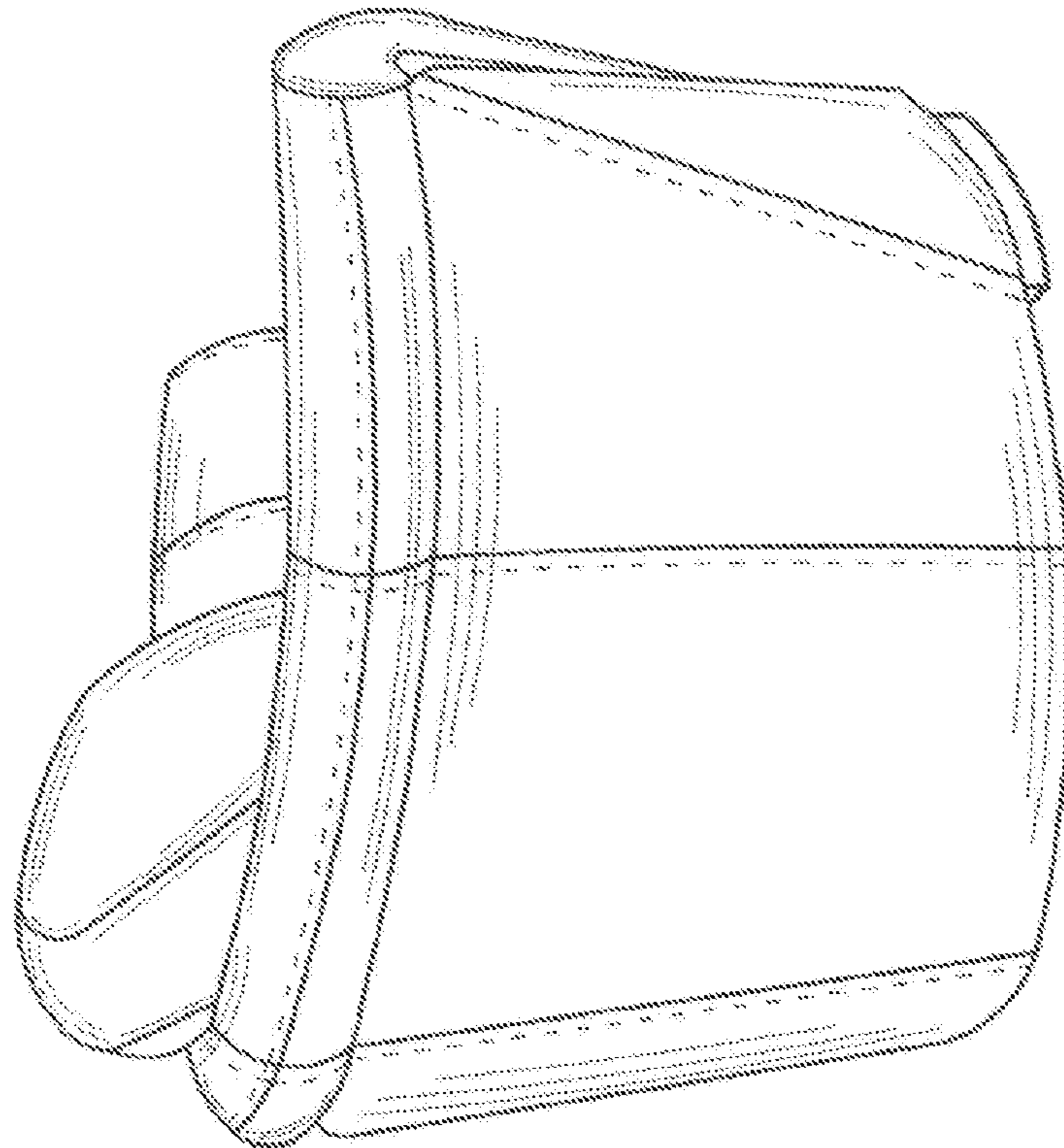


FIG. 3