



US00D597335S

(12) **United States Design Patent**
Tseng

(10) **Patent No.:** **US D597,335 S**

(45) **Date of Patent:** **** Aug. 4, 2009**

(54) **CHAIR**

(75) Inventor: **Chuen-Jong Tseng**, Chiayi Hsien (TW)

(73) Assignee: **Taiwan Shin Yeh Enterprise Co., Ltd.**,
Chiayi Hsien (TW)

(**) Term: **14 Years**

(21) Appl. No.: **29/331,624**

(22) Filed: **Jan. 29, 2009**

(51) **LOC (9) Cl.** **06-01**

(52) **U.S. Cl.** **D6/379; D6/376**

(58) **Field of Classification Search** D6/334-335,
D6/369, 370, 374, 376, 379, 380, 500-502;
297/239, 411.42, 411.43, 445.1, 446.1, 452.63,
297/452.64

See application file for complete search history.

(56) **References Cited**

U.S. PATENT DOCUMENTS

D421,852 S *	3/2000	Tihany	D6/370
D454,716 S *	3/2002	Tseng	D6/379
D487,989 S *	4/2004	Tseng	D6/376
D491,381 S *	6/2004	Tseng	D6/376
D502,819 S *	3/2005	Tseng	D6/376

D514,837 S *	2/2006	Muller	D6/374
D522,767 S *	6/2006	Camp et al.	D6/376
D524,567 S *	7/2006	Vanderminde	D6/376

* cited by examiner

Primary Examiner—Mimosa De

(74) *Attorney, Agent, or Firm*—Ladas & Parry LLP

(57) **CLAIM**

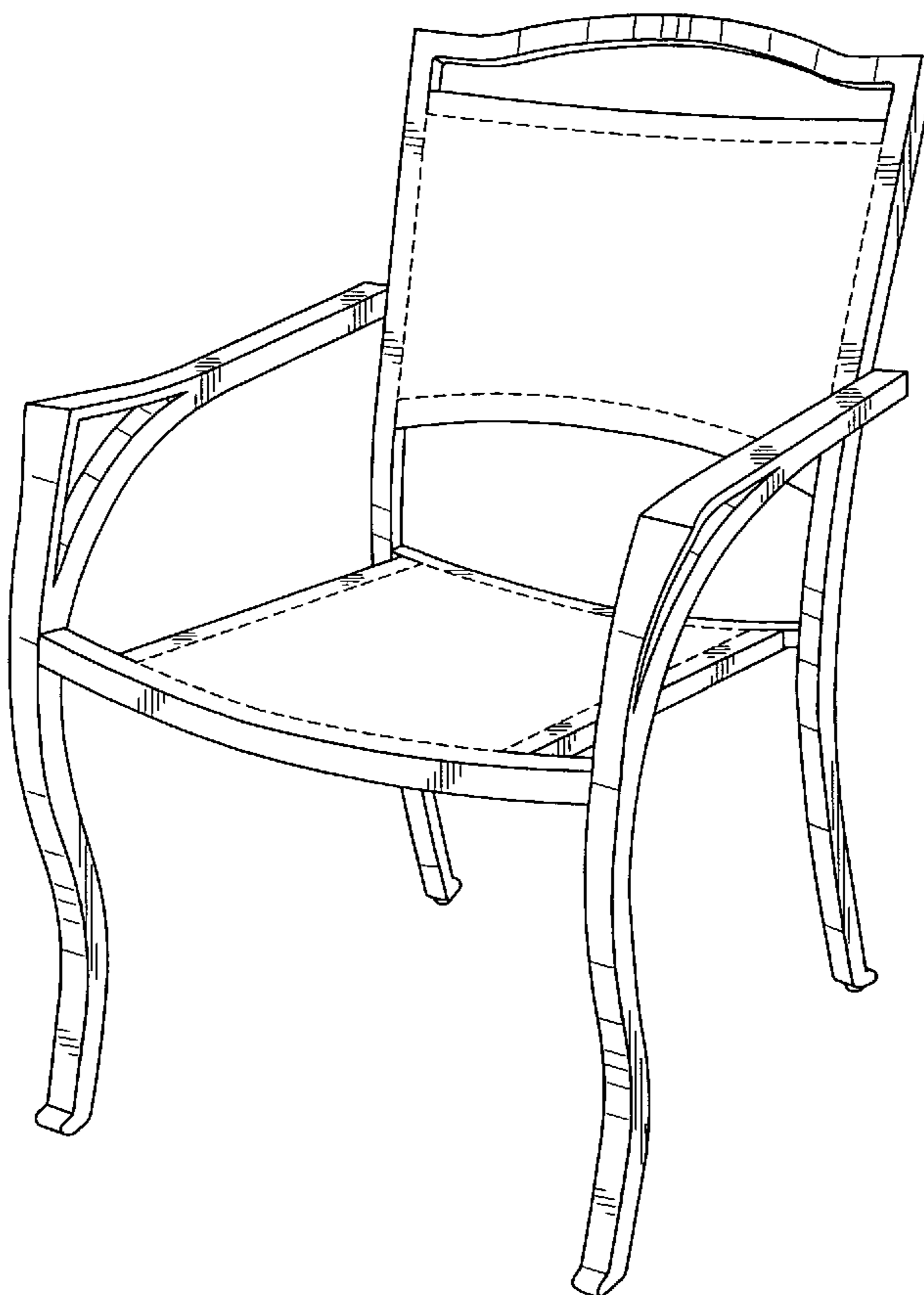
The ornamental design for chair, as shown and described.

DESCRIPTION

FIG. 1 is a perspective view of chair showing my new design;
FIG. 2 is a front elevational view thereof;
FIG. 3 is a rear elevational view thereof;
FIG. 4 is a left side elevational view thereof;
FIG. 5 is a right side elevational view thereof;
FIG. 6 is a top plan view thereof; and,
FIG. 7 is a bottom plan view thereof.

The broken lines shown on the seat and backrest of the chair are for illustrative purposes only and form no part of the claimed design.

1 Claim, 4 Drawing Sheets



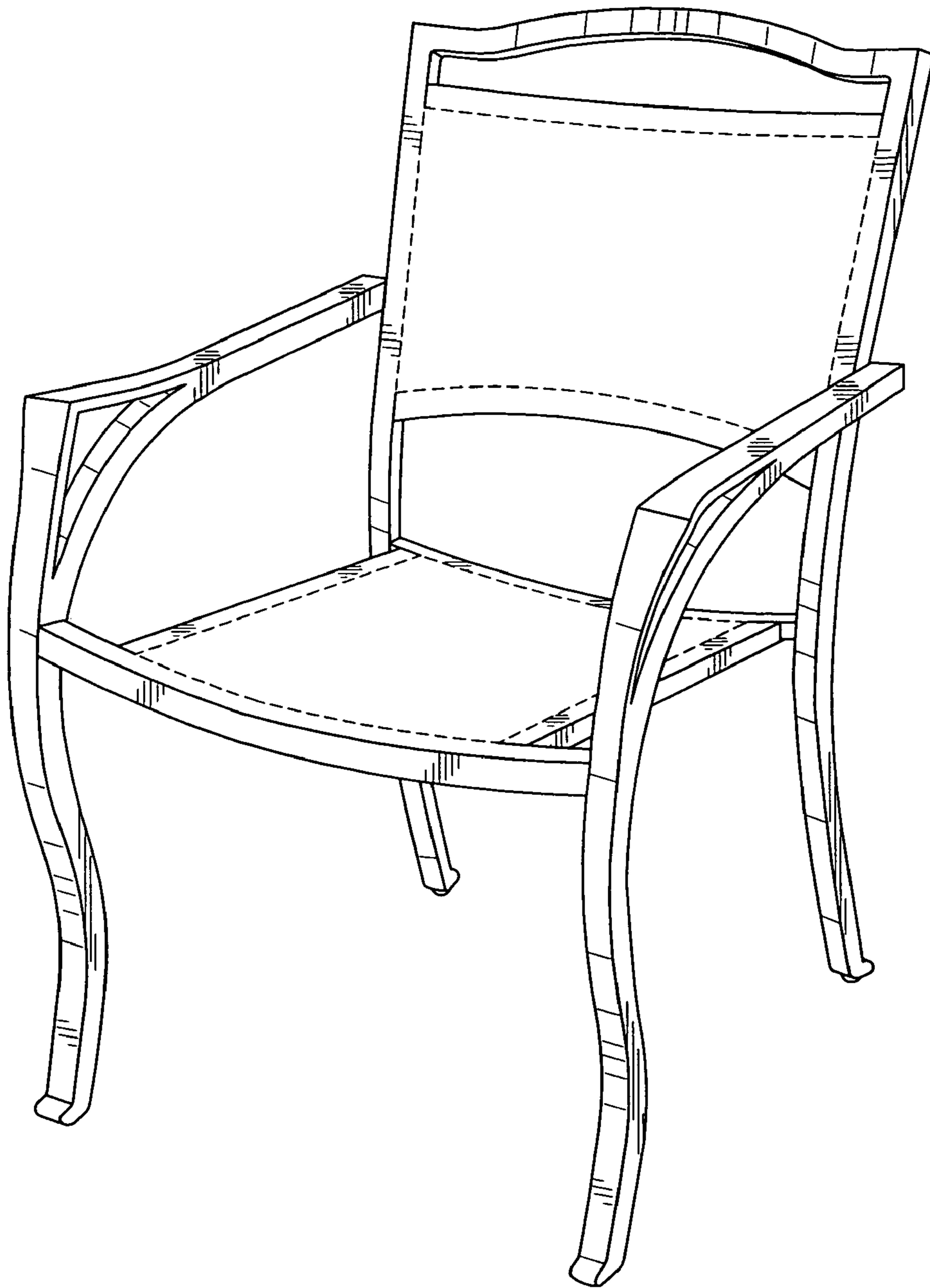


FIG. 1

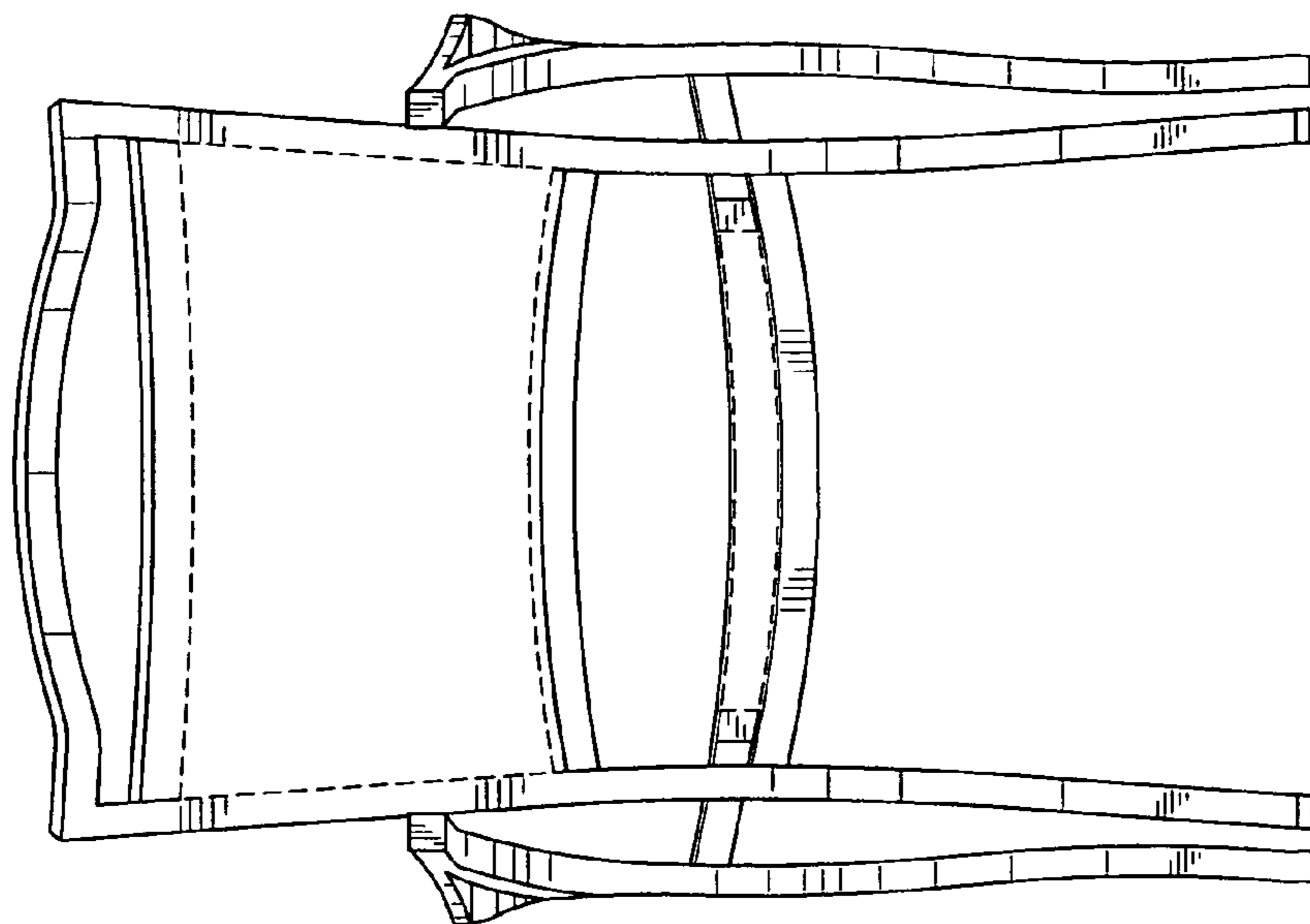


FIG. 3

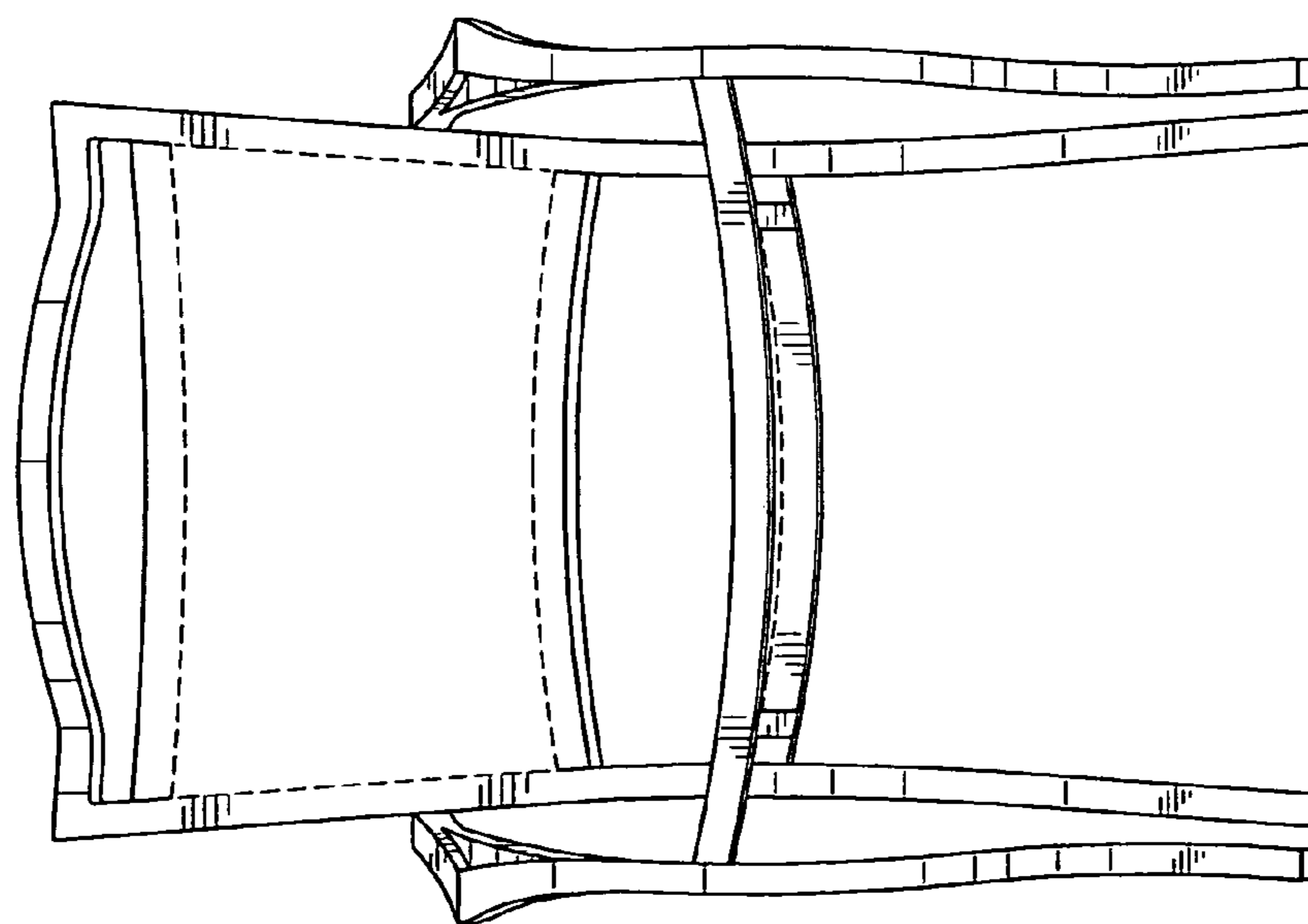


FIG. 2

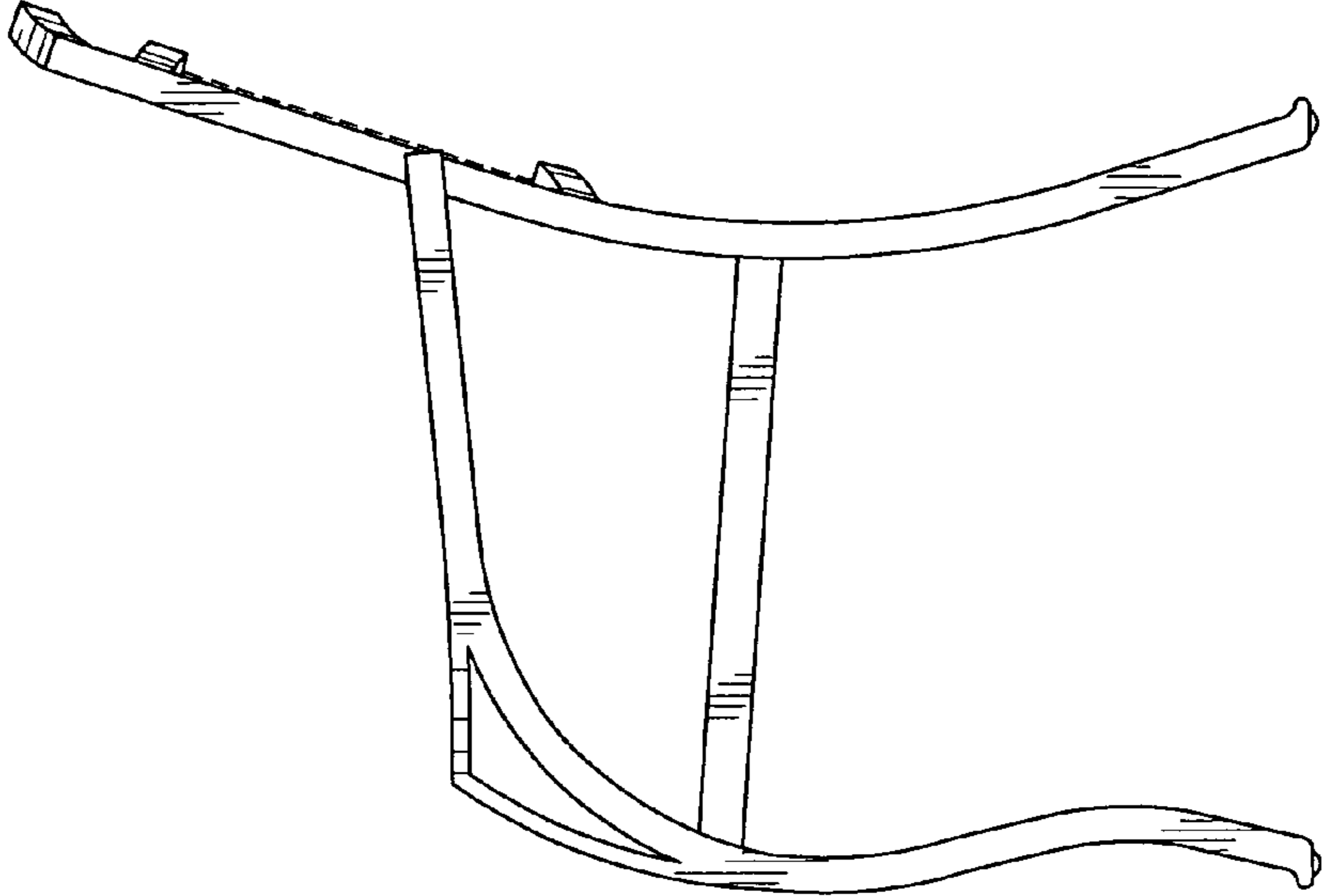


FIG. 5

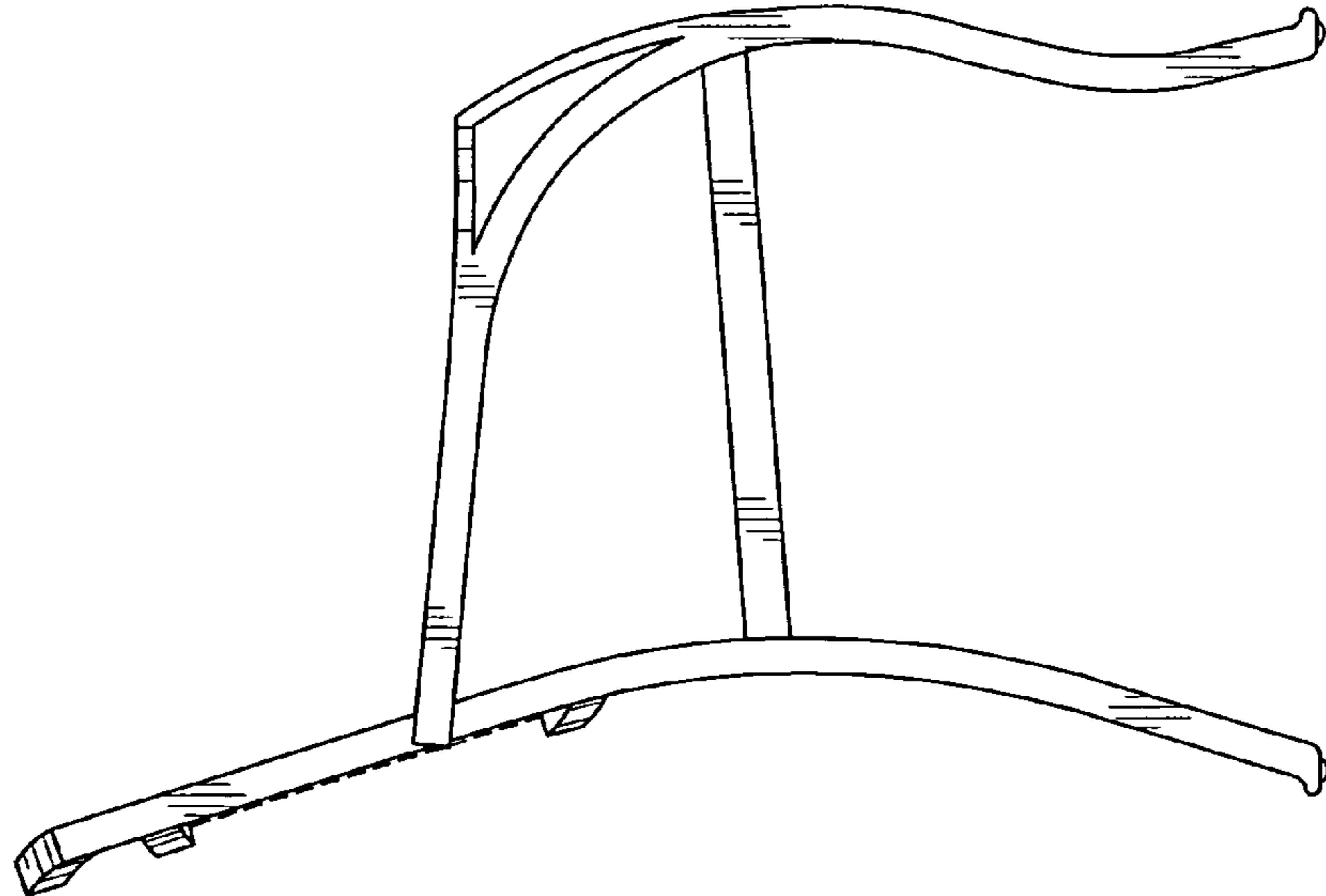


FIG. 4

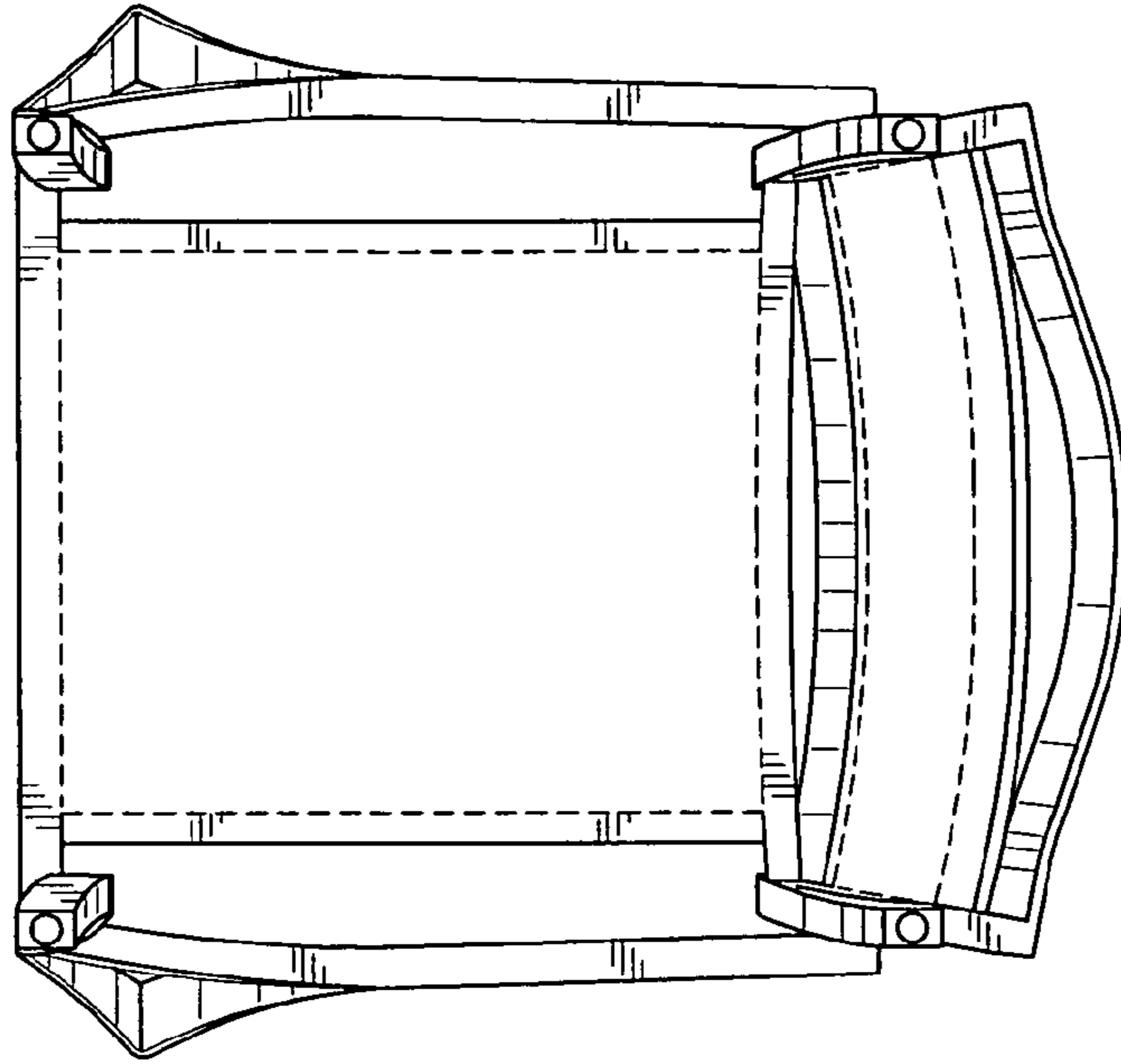


FIG. 7

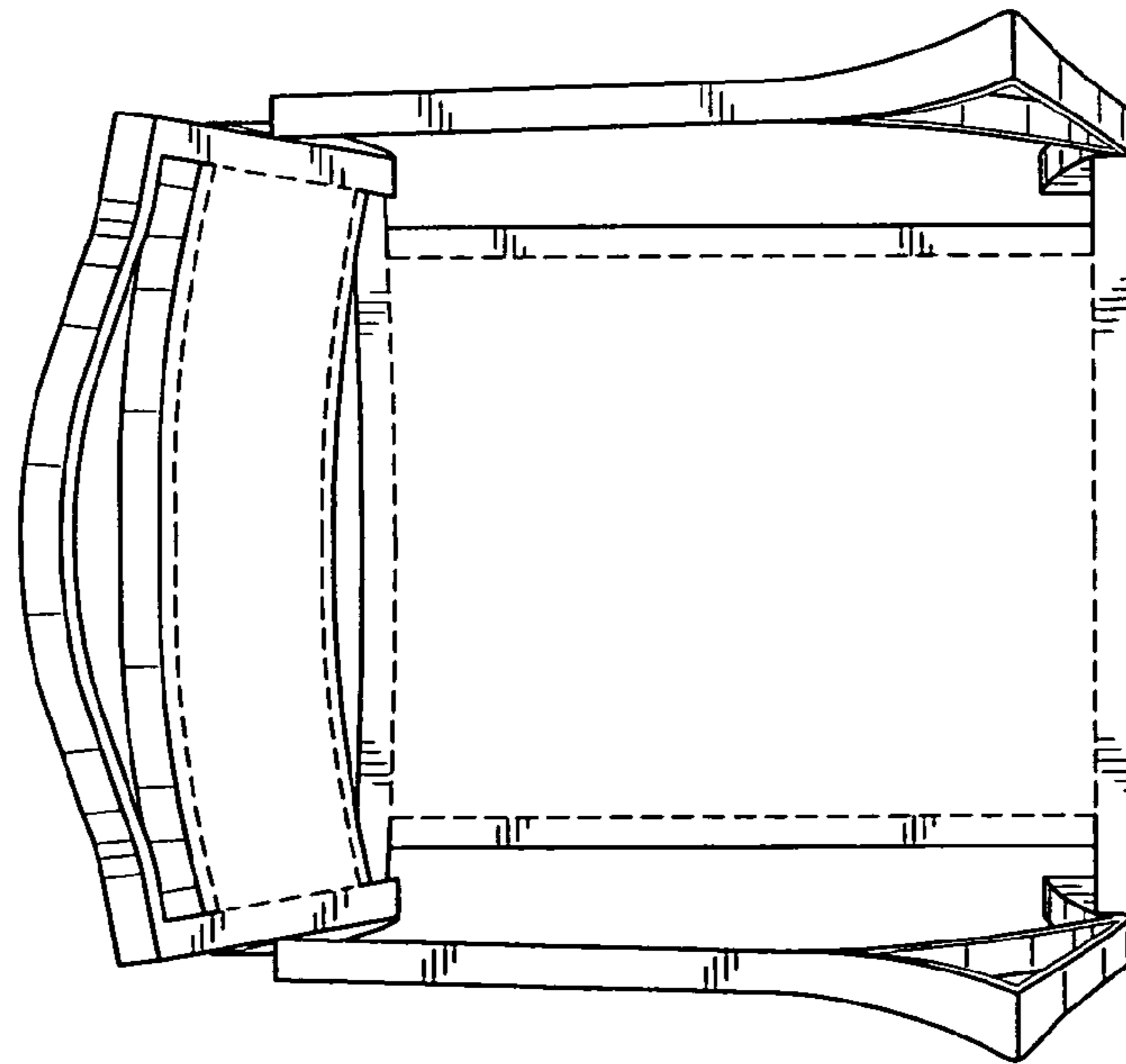


FIG. 6