



US00D597334S

(12) **United States Design Patent**  
**Lee**

(10) **Patent No.:** **US D597,334 S**  
(45) **Date of Patent:** **\*\* Aug. 4, 2009**

(54) **CHAIR FRAME**

(76) **Inventor:** **L. Kam Lee**, 9320 Harwin Dr., Houston, TX (US) 77036

(\*\*) **Term:** **14 Years**

(21) **Appl. No.:** **29/327,664**

(22) **Filed:** **Nov. 11, 2008**

(51) **LOC (9) Cl.** ..... **06-01**

(52) **U.S. Cl.** ..... **D6/379; D6/380**

(58) **Field of Classification Search** ..... D6/334-336, D6/344, 347, 348, 369, 370, 374, 376, 379, D6/380, 381, 499, 500-502; 297/411.43, 297/440.15, 445.1, 446.1, 447.4, 452.18, 297/452.63, 452.64

See application file for complete search history.

(56) **References Cited**

**U.S. PATENT DOCUMENTS**

3,873,154	A	*	3/1975	Baker, Jr.	.....	297/447.4
D252,238	S	*	7/1979	Van Sant	.....	D6/379
D319,355	S	*	8/1991	Hess	.....	D6/379
D333,577	S	*	3/1993	Danko	.....	D6/380
D349,411	S	*	8/1994	Marriott et al.	.....	D6/344
D352,611	S	*	11/1994	Deardorff	.....	D6/348
D432,323	S	*	10/2000	Pomeroy et al.	.....	D6/344
D459,597	S	*	7/2002	Calvey	.....	D6/348
D566,975	S	*	4/2008	Lee	.....	D6/348
D578,314	S	*	10/2008	Kalaouze	.....	D6/348
D580,197	S	*	11/2008	Lee	.....	D6/500

D581,175 S \* 11/2008 Lee ..... D6/347

\* cited by examiner

*Primary Examiner*—Mimosa De

(74) *Attorney, Agent, or Firm*—Egbert Law Offices PLLC

(57) **CLAIM**

The ornamental design for a chair frame, as shown and described.

**DESCRIPTION**

FIG. 1 is an upper perspective view of the chair frame showing my design.

FIG. 2 is a front view thereof;

FIG. 3 is a back view thereof;

FIG. 4 is a side view thereof;

FIG. 5 is an opposite side view thereof;

FIG. 6 is top view thereof;

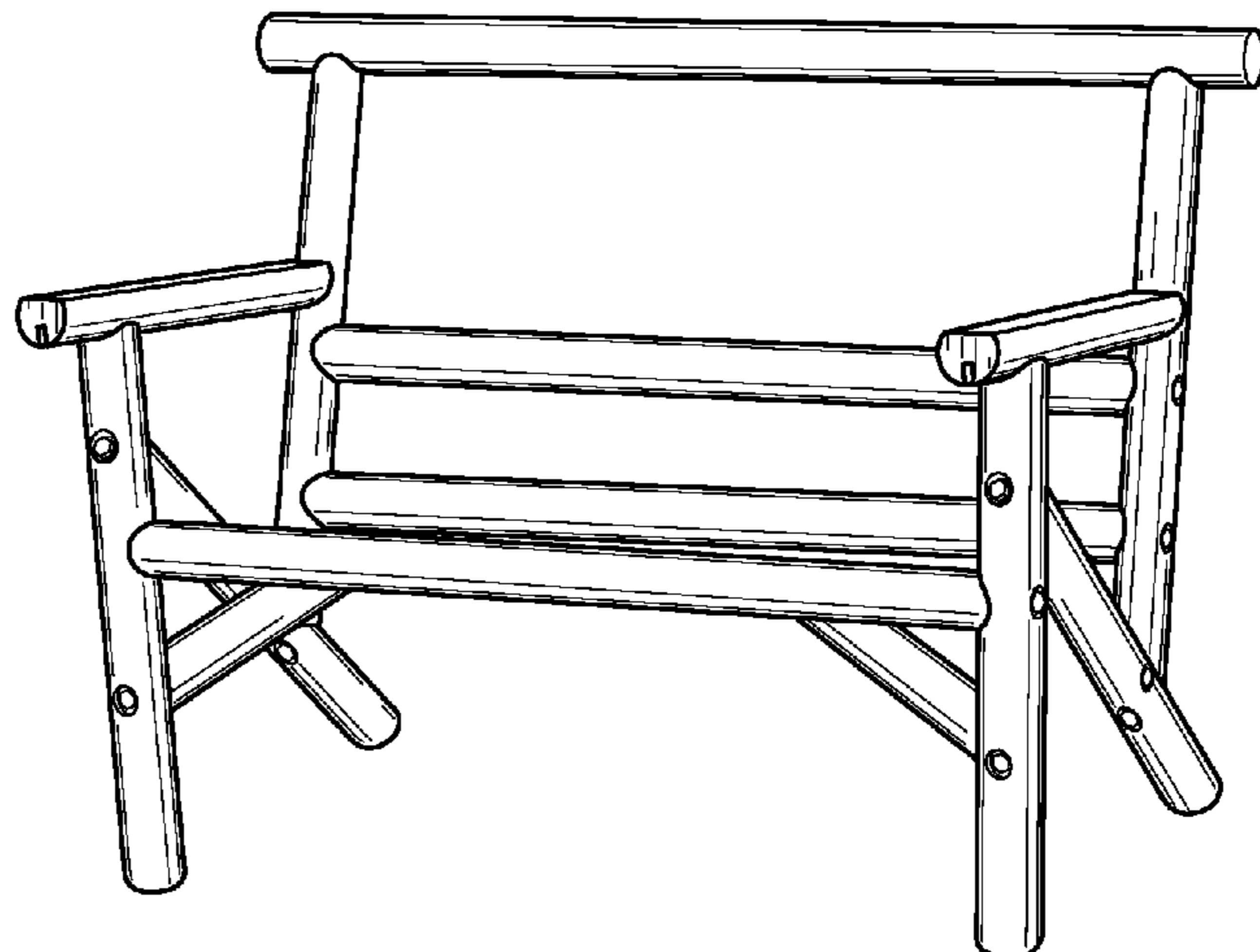
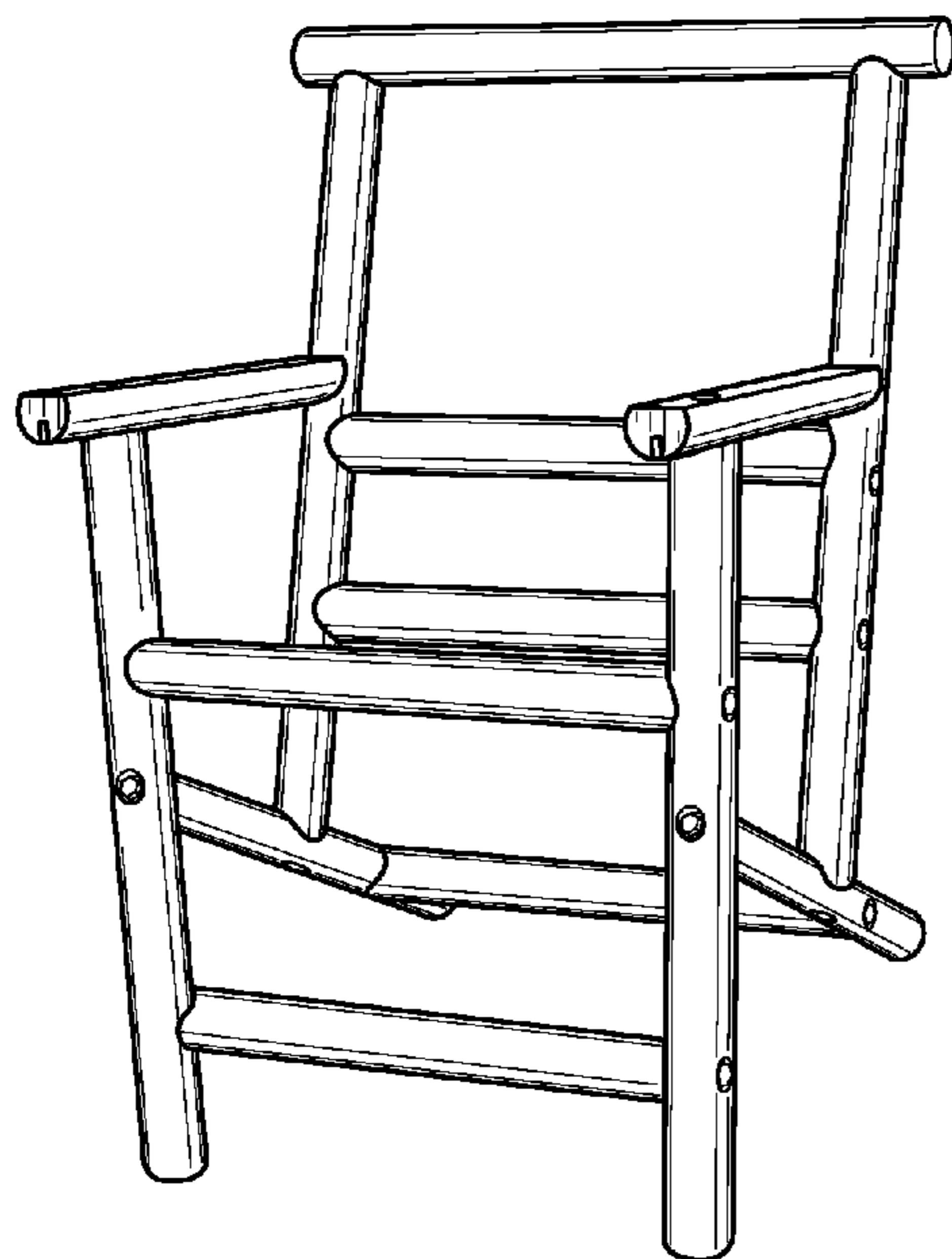
FIG. 7 is a bottom view thereof;

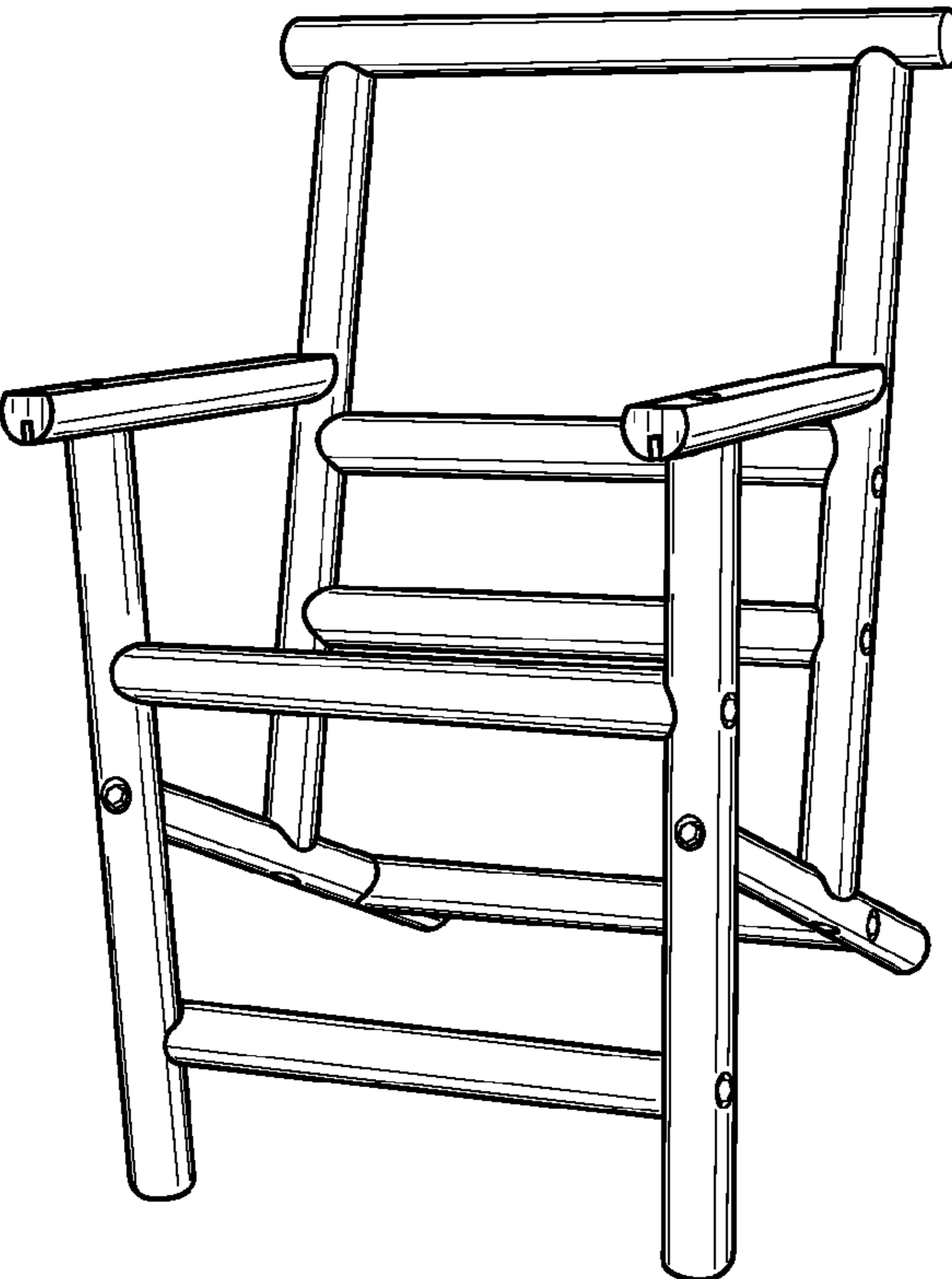
FIG. 8 is another upper perspective view of a second embodiment, the difference being a matter of length; and,

FIG. 9 is another upper perspective view thereof, showing attachment to a seat back and seat panel in broken lines.

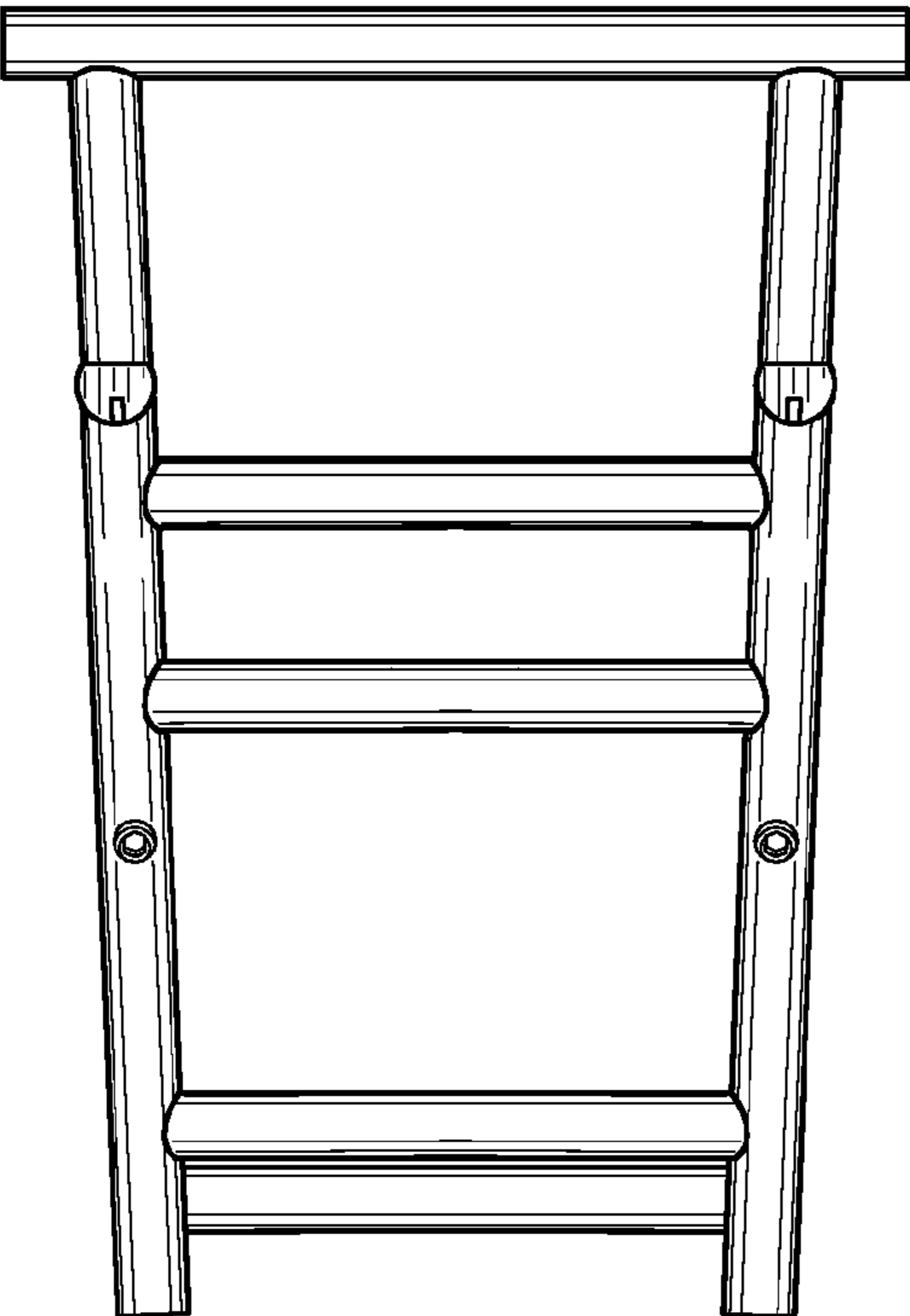
The chair is a piece of furniture for sitting. The embodiments have the same design features, the differences between embodiments being a matter of length. The elements shown in broken lines are presented for illustrative purposes only and form no part of the claimed design.

**1 Claim, 3 Drawing Sheets**

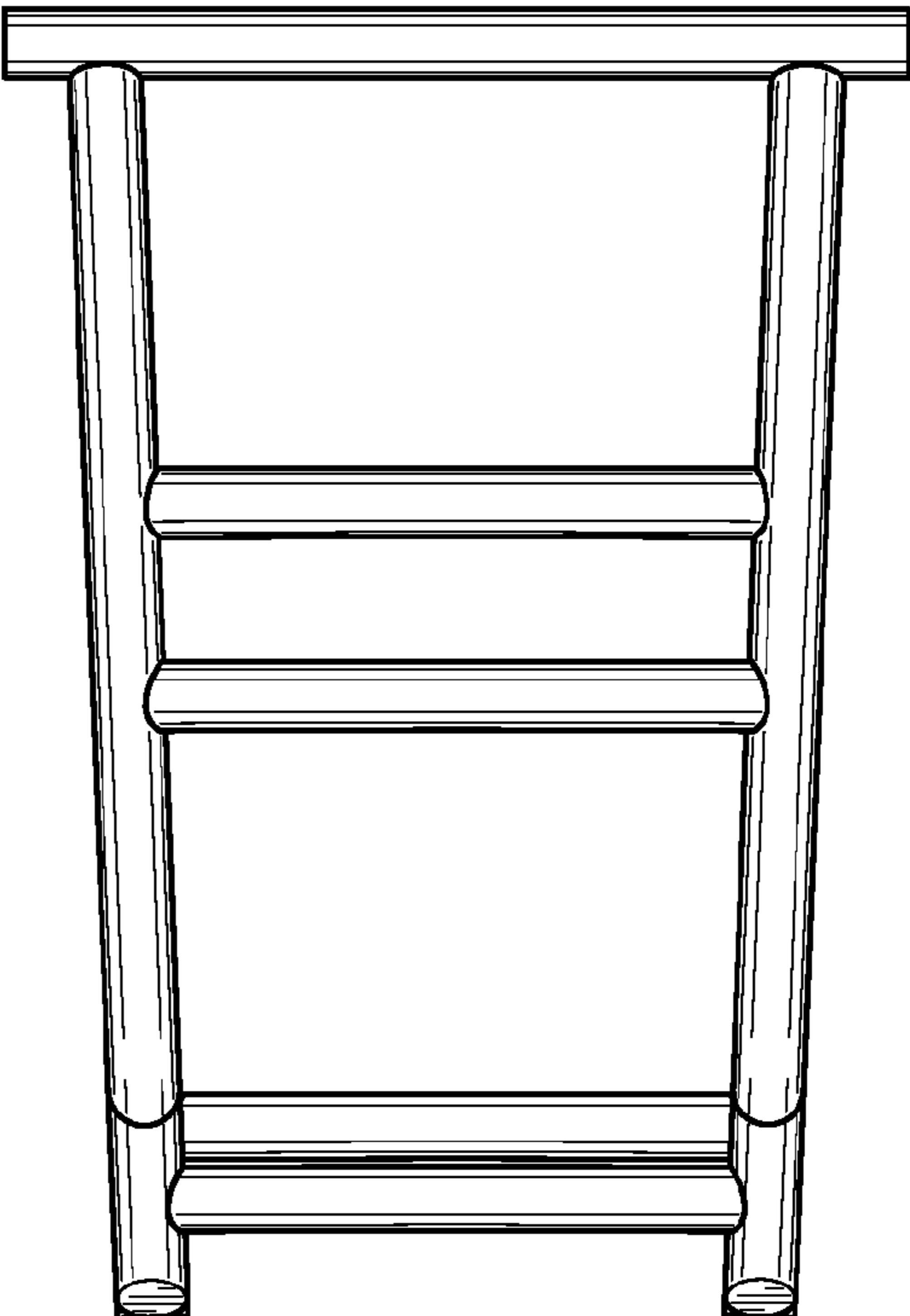




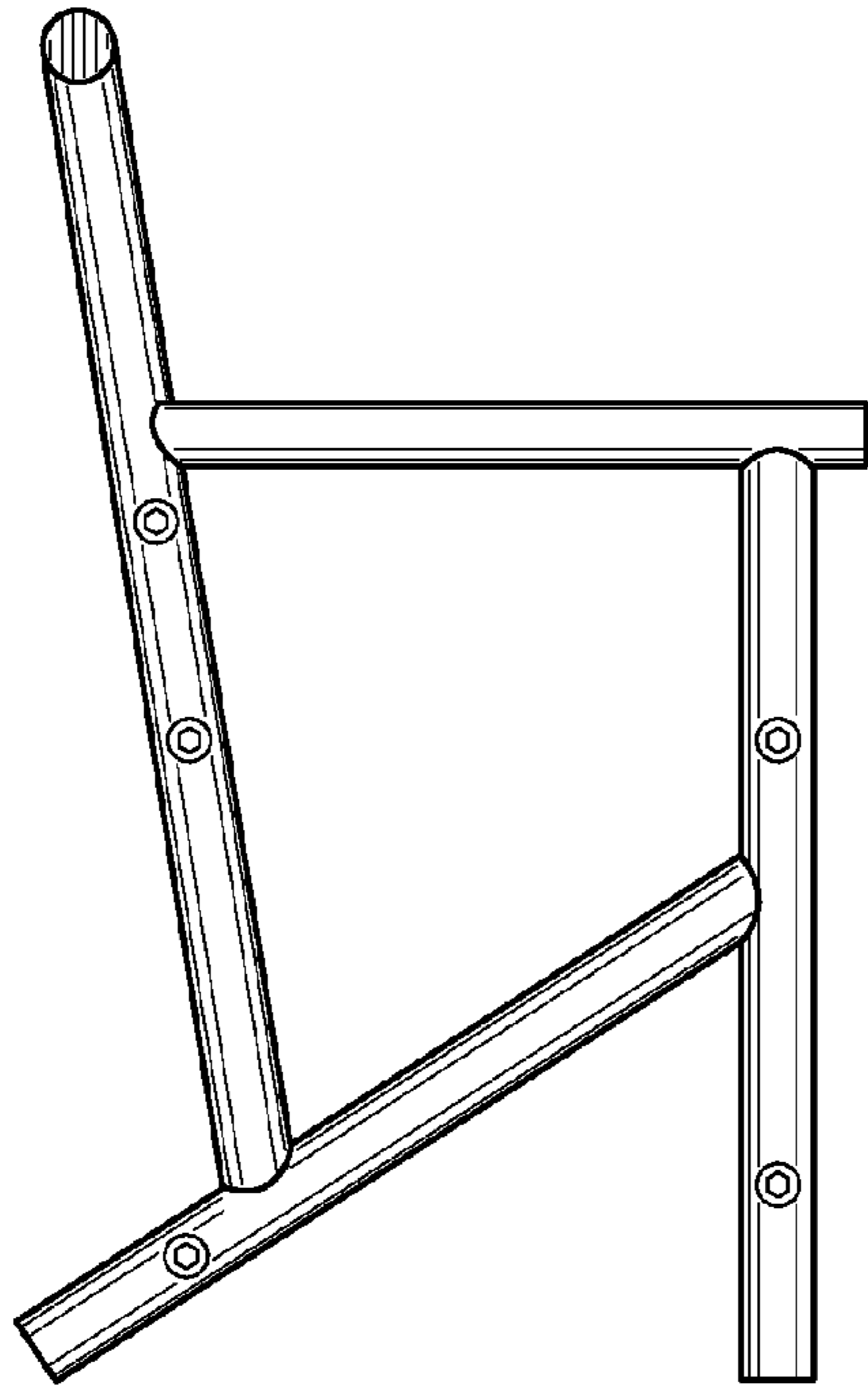
*FIG. 1*



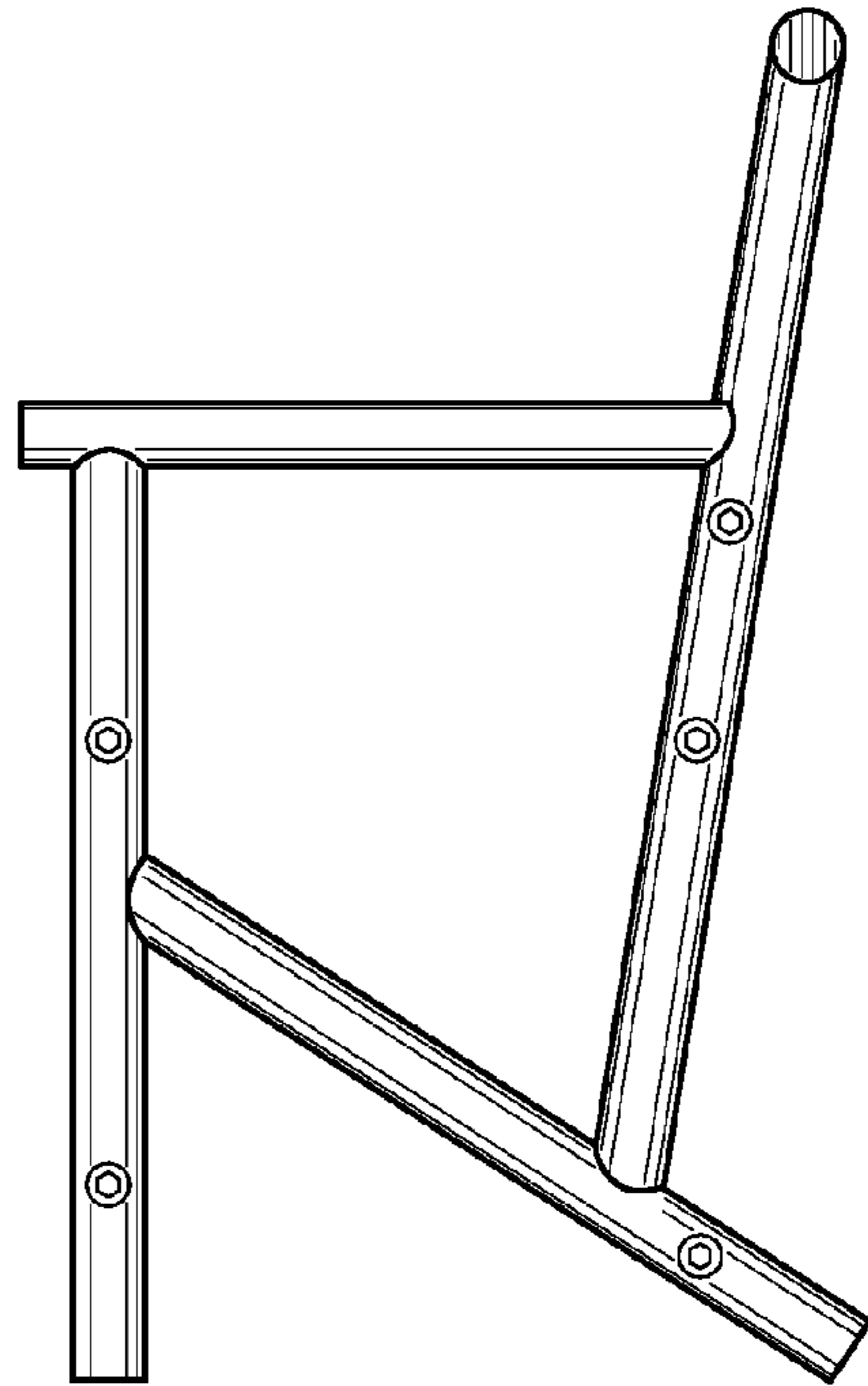
*FIG. 2*



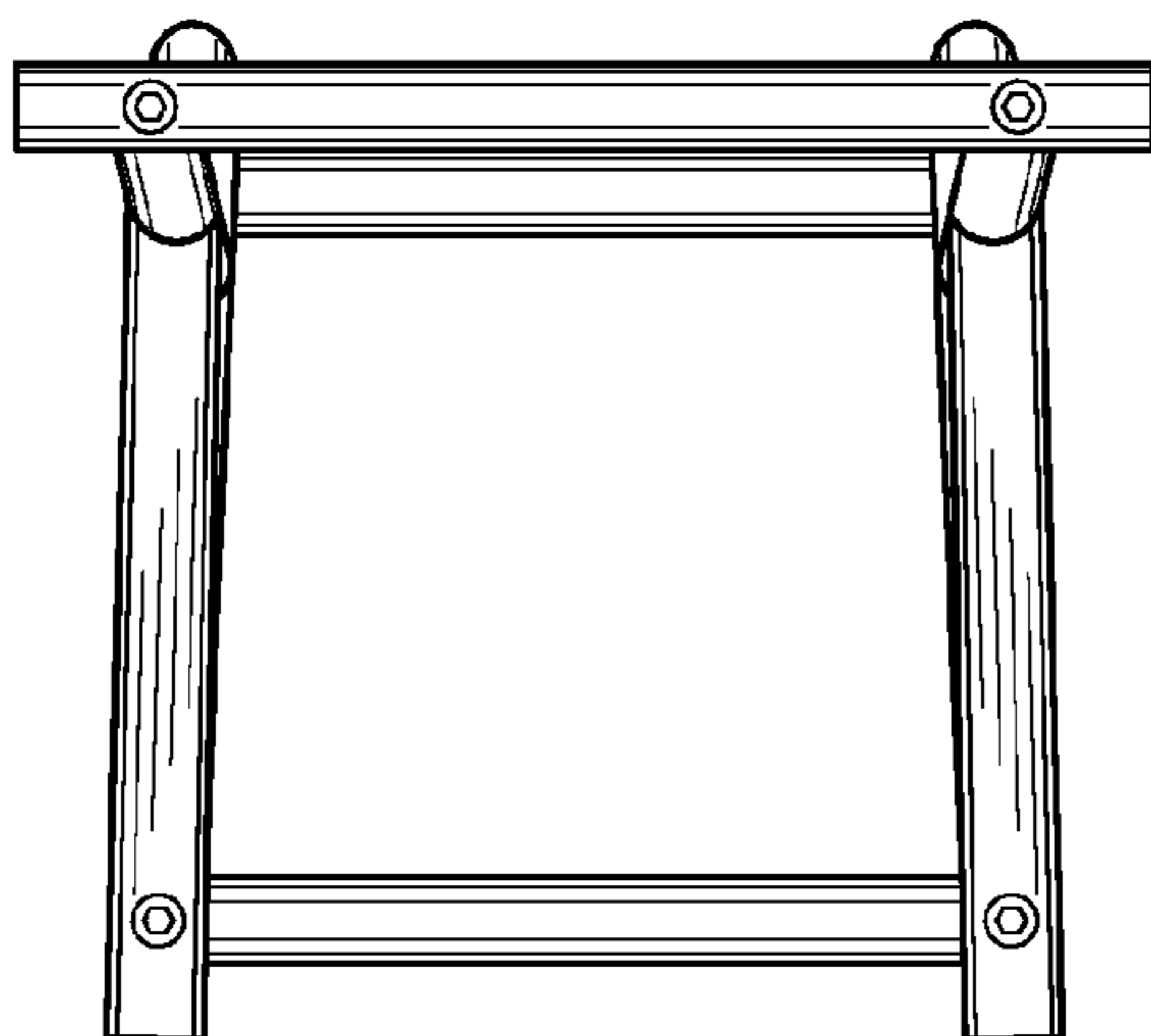
*FIG. 3*



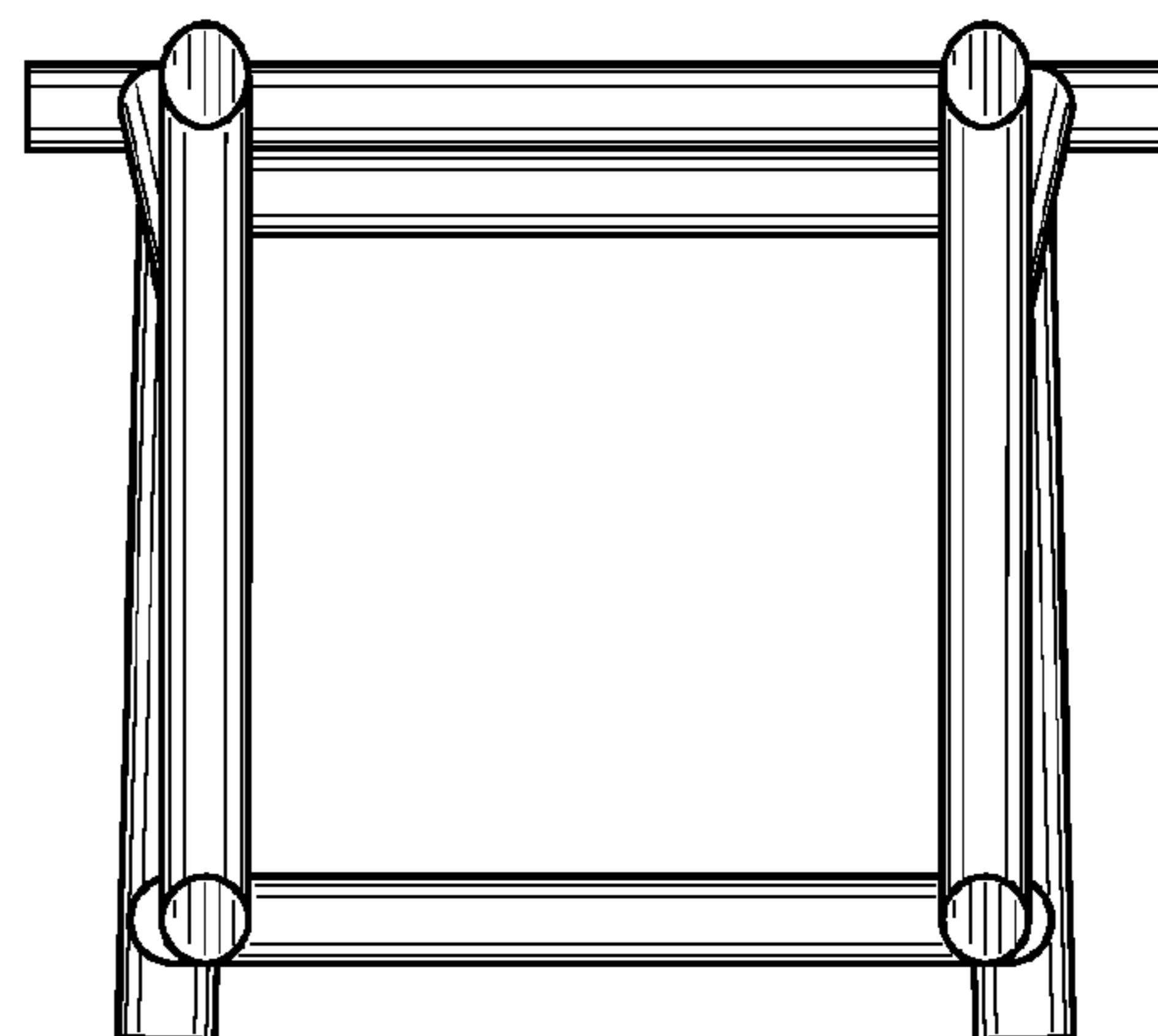
*FIG. 4*



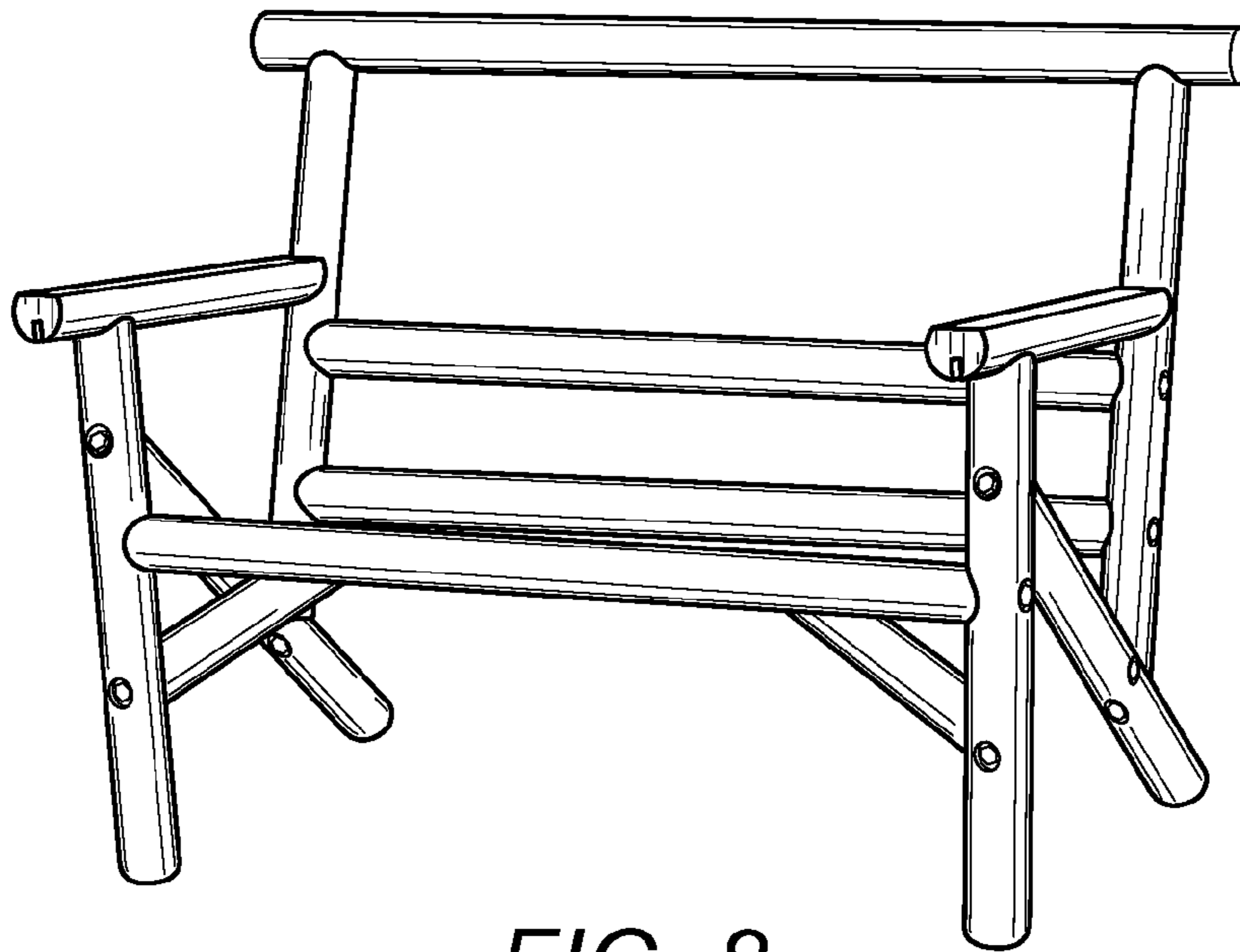
*FIG. 5*



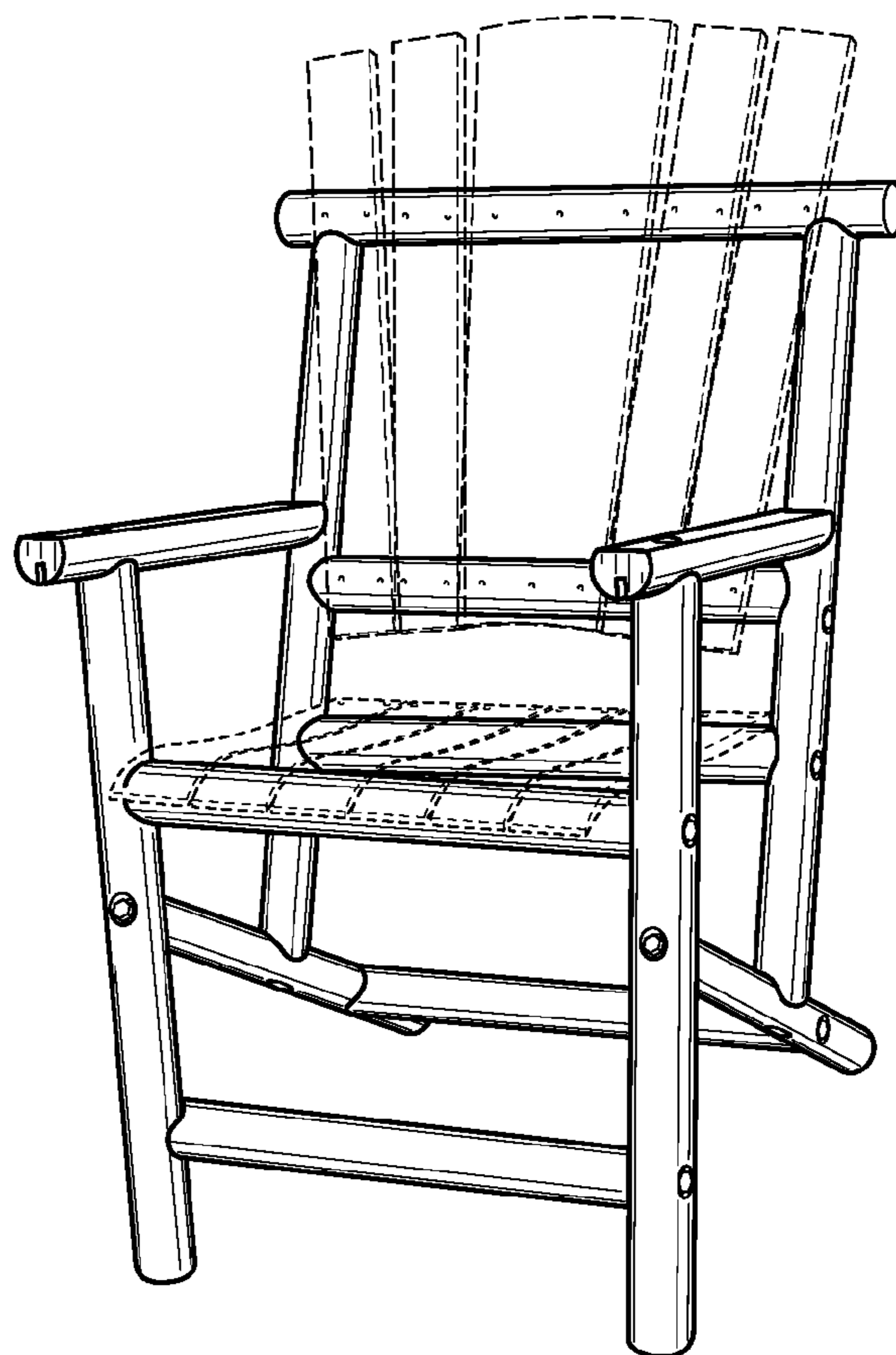
*FIG. 6*



*FIG. 7*



*FIG. 8*



*FIG. 9*