



(12) **United States Design Patent**
Kirar

(10) **Patent No.:** **US D597,333 S**
(45) **Date of Patent:** **** Aug. 4, 2009**

(54) **SEATING APPARATUS**

(75) Inventor: **Laura Kirar**, Miami Beach, FL (US)

(73) Assignee: **McGuire Furniture Company, Inc.**,
San Francisco, CA (US)

(**) Term: **14 Years**

(21) Appl. No.: **29/307,490**

(22) Filed: **Apr. 22, 2008**

Related U.S. Application Data

(62) Division of application No. 29/258,776, filed on Apr. 26, 2006, now Pat. No. Des. 570,138.

(51) **LOC (9) Cl.** **06-01**

(52) **U.S. Cl.** **D6/379; D6/369; D6/380**

(58) **Field of Classification Search** D6/334-336,
D6/360, 364, 369, 370, 371, 372, 373, 374,
D6/375, 376, 379, 380, 500-502; 297/411.4,
297/411.41, 411.42, 445.1, 446.1, 451.9,
297/452.46, 452.63, 452.64
See application file for complete search history.

(56) **References Cited**

U.S. PATENT DOCUMENTS

| | | | |
|--------------|---------|------------------|--------|
| D81,933 S | 9/1930 | Jones | |
| D165,077 S | 11/1951 | Kandarian | |
| D214,373 S | 6/1969 | Parker | |
| D232,407 S | 8/1974 | Peterson | |
| D261,333 S | 10/1981 | Adkinson | |
| D266,469 S * | 10/1982 | Bergquist et al. | D6/379 |
| D269,056 S | 5/1983 | Claman | |
| D272,693 S * | 2/1984 | Claman | D6/369 |
| D289,469 S | 4/1987 | Tonon | |
| D303,327 S | 9/1989 | Masarotti | |
| D327,378 S | 6/1992 | White | |
| D327,583 S | 7/1992 | Dettinger | |
| D340,590 S | 10/1993 | McGuire et al. | |
| D345,868 S | 4/1994 | McGuire et al. | |
| D352,623 S | 11/1994 | McGuire | |
| D356,224 S | 3/1995 | McGuire | |
| D367,984 S | 3/1996 | Barile | |

| | | | |
|--------------|---------|------------|--------|
| D372,133 S | 7/1996 | Slear | |
| D380,095 S | 6/1997 | Diaz-Azcuy | |
| D380,100 S * | 6/1997 | Smith | D6/369 |
| D380,105 S | 6/1997 | Diaz-Azcuy | |
| D380,307 S | 7/1997 | Diaz-Azcuy | |
| D380,308 S | 7/1997 | Diaz-Azcuy | |
| D380,309 S | 7/1997 | Diaz-Azcuy | |
| D380,310 S | 7/1997 | Diaz-Azcuy | |
| D380,311 S | 7/1997 | Diaz-Azcuy | |
| D380,312 S | 7/1997 | Diaz-Azcuy | |
| D386,912 S | 12/1997 | Diaz-Azcuy | |
| D388,965 S * | 1/1998 | Mourgue | D6/334 |
| D390,031 S | 2/1998 | Diaz-Azcuy | |

(Continued)

Primary Examiner—Mimosa De
(74) *Attorney, Agent, or Firm*—Merchant & Gould PC

(57) **CLAIM**

The ornamental design for a seating apparatus, as shown and described.

DESCRIPTION

FIG. 1 is a front elevational view of a seating apparatus according to the principles of the present invention;

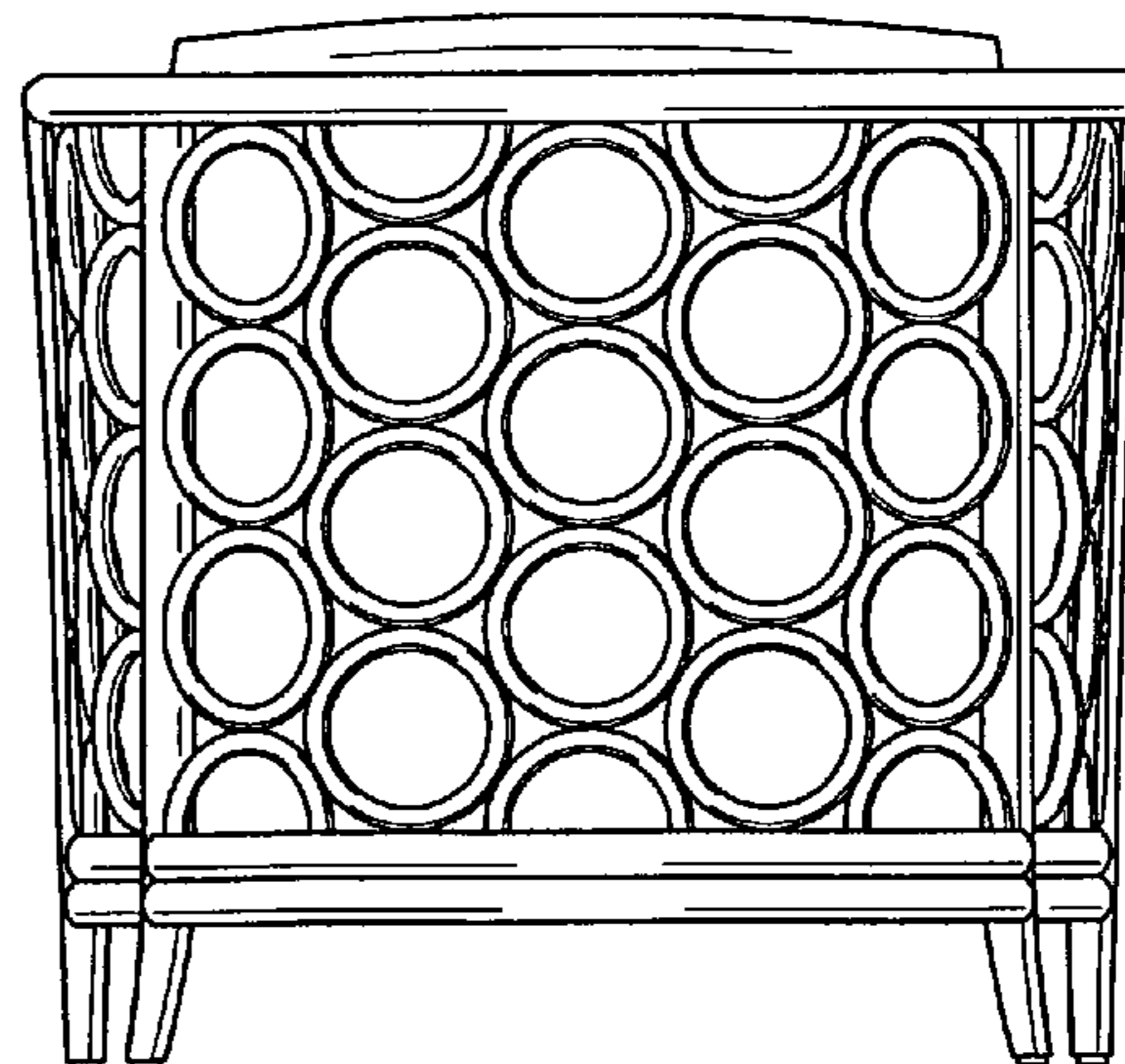
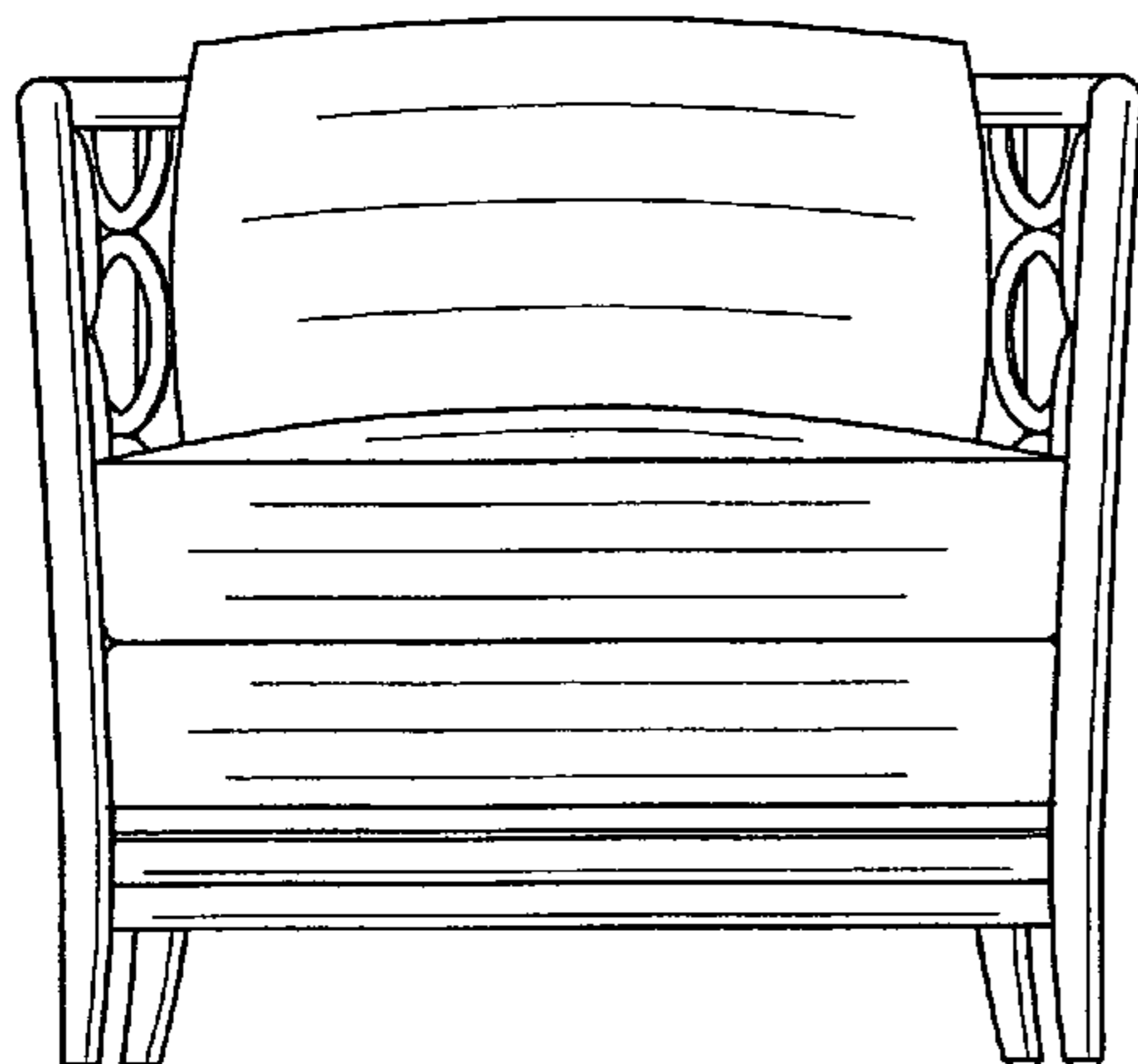
FIG. 2 is a rear elevational view thereof;

FIG. 3 is a right side elevational view thereof, a left side elevational view not being shown as it is a mirror image of the right side elevational view;

FIG. 4 is a top plan view thereof; and,

FIG. 5 is a bottom plan view thereof.

1 Claim, 2 Drawing Sheets



US D597,333 S

Page 2

U.S. PATENT DOCUMENTS

| | | | | | | |
|--------------|---------|----------------|--------------|---------|----------------------|--------|
| D439,068 S | 3/2001 | Vanderbyl | D477,720 S | 7/2003 | Diaz-Azcuy | |
| D445,575 S | 7/2001 | Shepard | D481,213 S * | 10/2003 | Chalmers et al. | D6/370 |
| D446,956 S | 8/2001 | Black | D481,214 S * | 10/2003 | Chalmers et al. | D6/370 |
| D450,944 S | 11/2001 | Shepard et al. | D481,215 S * | 10/2003 | Chalmers et al. | D6/370 |
| D448,939 S | 7/2002 | Beltran | D495,512 S | 9/2004 | Diaz-Azcuy | |
| D460,872 S | 7/2002 | Diaz-Azcuy | D525,040 S | 7/2006 | Muller | |
| D461,065 S | 8/2002 | Diaz-Azcuy | D526,796 S | 8/2006 | Tomkins | |
| D461,969 S | 8/2002 | Diaz-Azcuy | D526,798 S | 8/2006 | Tomkins | |
| 6,491,345 B1 | 12/2002 | Shepard | D541,543 S * | 5/2007 | Doughty | D6/369 |
| | | | D570,138 S * | 6/2008 | Kirar | D6/502 |

* cited by examiner

FIG. 1

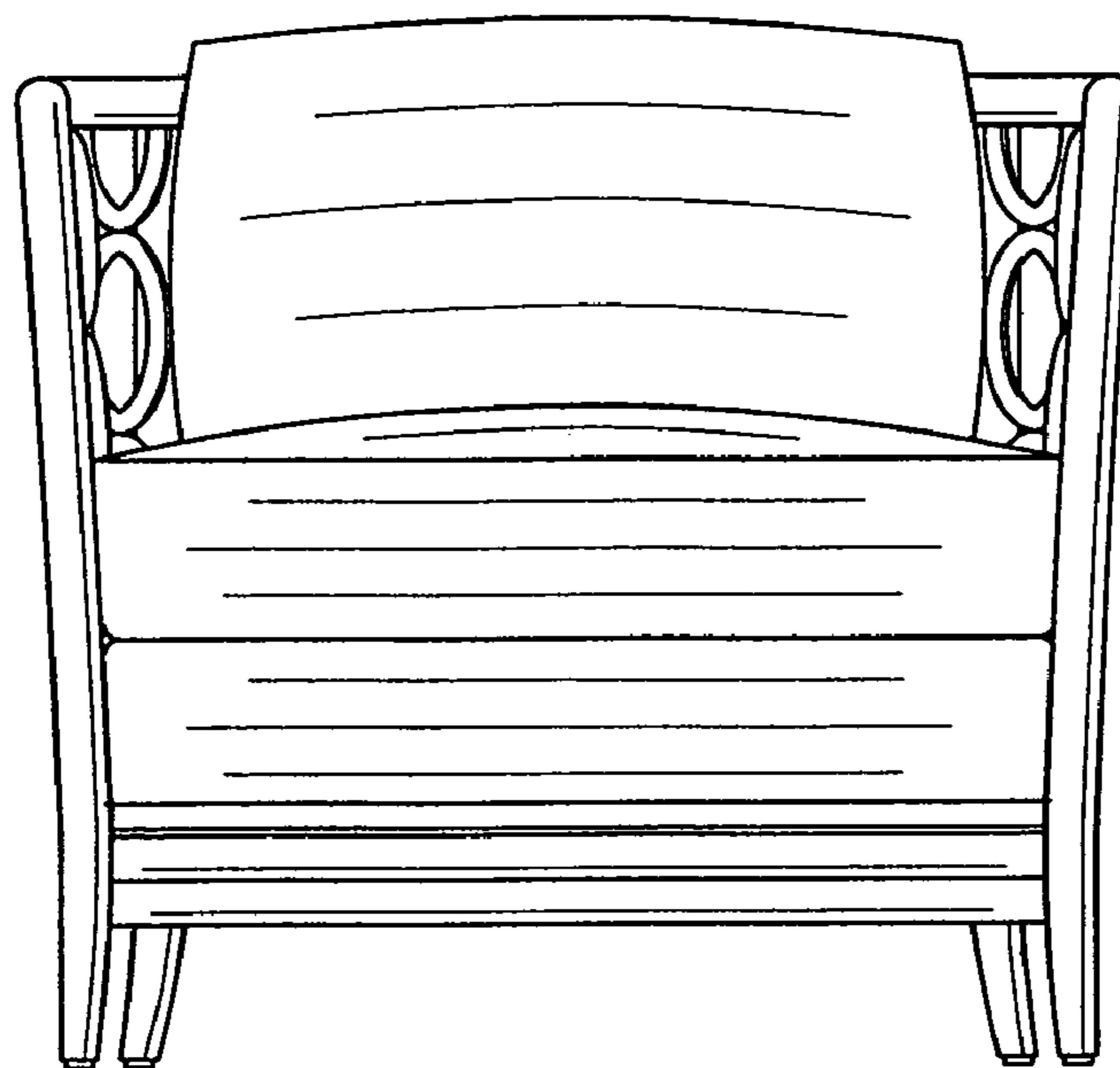


FIG. 2

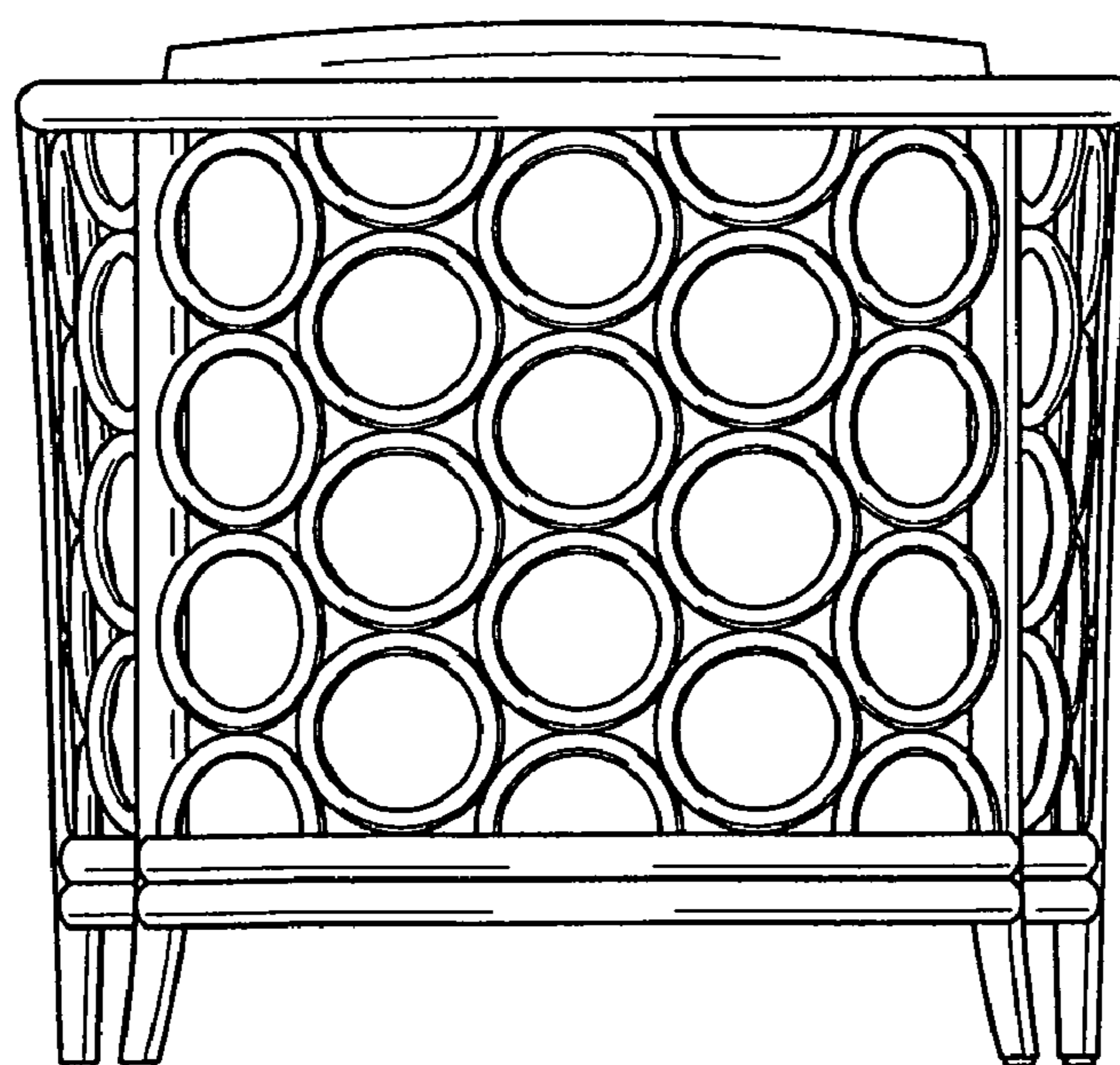


FIG.3

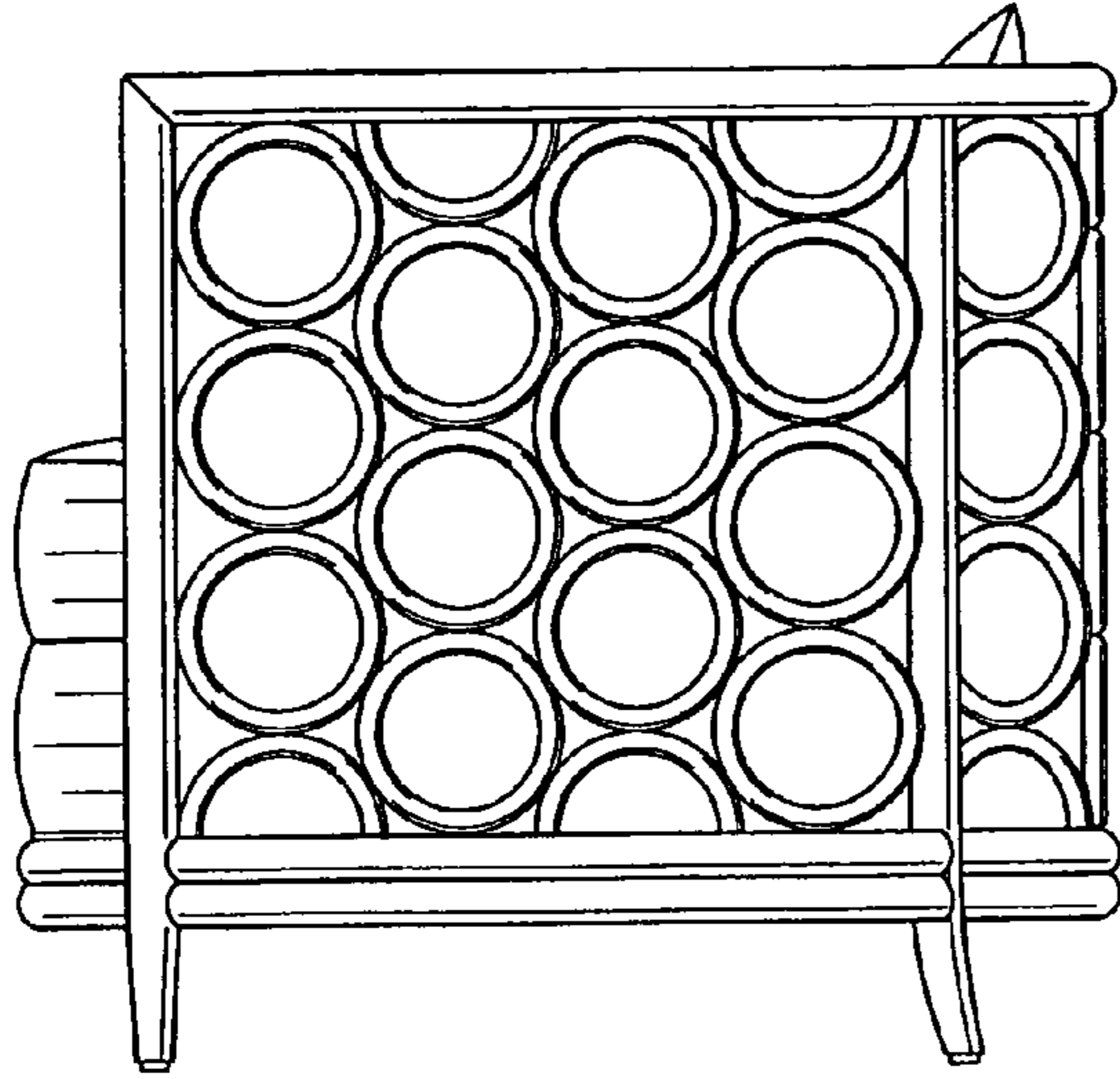


FIG.4

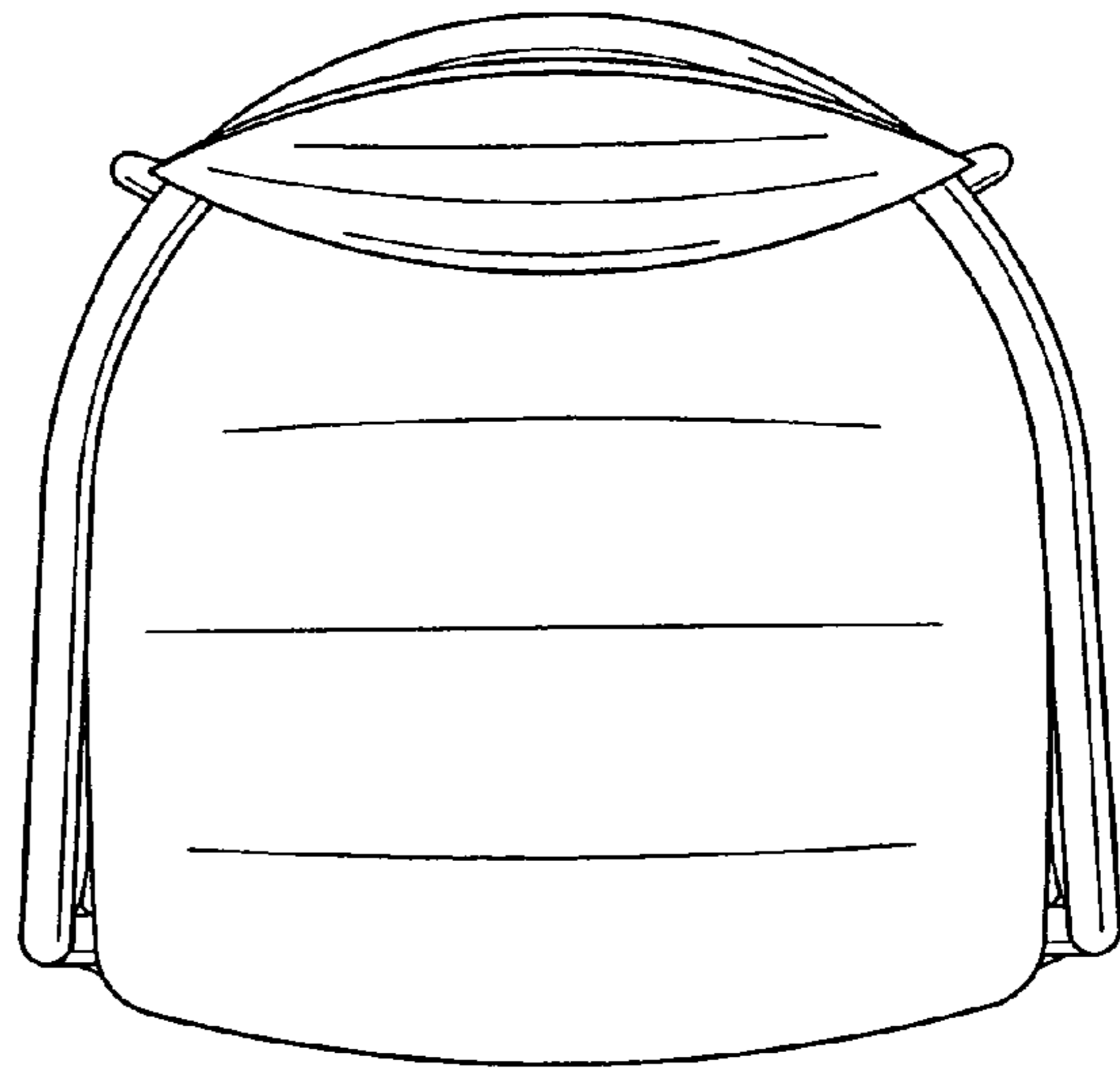


FIG.5

