



US00D597331S

(12) **United States Design Patent**  
**Neil**

(10) **Patent No.:** **US D597,331 S**

(45) **Date of Patent:** **\*\* \*Aug. 4, 2009**

(54) **CHAIR**

(75) Inventor: **Gary Neil, Mississauga (CA)**

(73) Assignee: **Allseating Corporation, Mississauga (CA)**

(\*\*) Term: **14 Years**

(21) Appl. No.: **29/335,277**

(22) Filed: **Apr. 13, 2009**

(51) **LOC (9) Cl.** ..... **06-01**

(52) **U.S. Cl.** ..... **D6/366**

(58) **Field of Classification Search** ..... D6/334-336,  
D6/364, 365, 366, 367, 369, 374, 379, 380,  
D6/498, 500-502; 297/353, 411.2, 411.27,  
297/452.29, 452.3, 452.32, 452.33, 452.35,  
297/452.48

See application file for complete search history.

(56) **References Cited**

**U.S. PATENT DOCUMENTS**

D482,218 S	*	11/2003	Lin	.....	D6/500
D535,112 S	*	1/2007	Bernett et al.	.....	D6/366
D541,061 S	*	4/2007	Benden et al.	.....	D6/366
D543,038 S	*	5/2007	Benden et al.	.....	D6/366
D557,026 S	*	12/2007	Klaasen et al.	.....	D6/366
D563,687 S	*	3/2008	Neil	.....	D6/366

D564,245 S	*	3/2008	Dauphin	.....	D6/366
D564,766 S	*	3/2008	Zimmermann et al.	.....	D6/366
D572,924 S	*	7/2008	Huang	.....	D6/366
D579,682 S	*	11/2008	Neil	.....	D6/366

\* cited by examiner

*Primary Examiner*—Mimosa De

(74) *Attorney, Agent, or Firm*—Miller Thomson LLP

(57) **CLAIM**

The ornamental design for the “chair,” as shown and described.

**DESCRIPTION**

FIG. 1 is a front perspective view of the chair.

FIG. 2 is a back perspective view of the chair.

FIG. 3 is a right side view of the chair.

FIG. 4 is a front view of the chair.

FIG. 5 is a left side view of the chair.

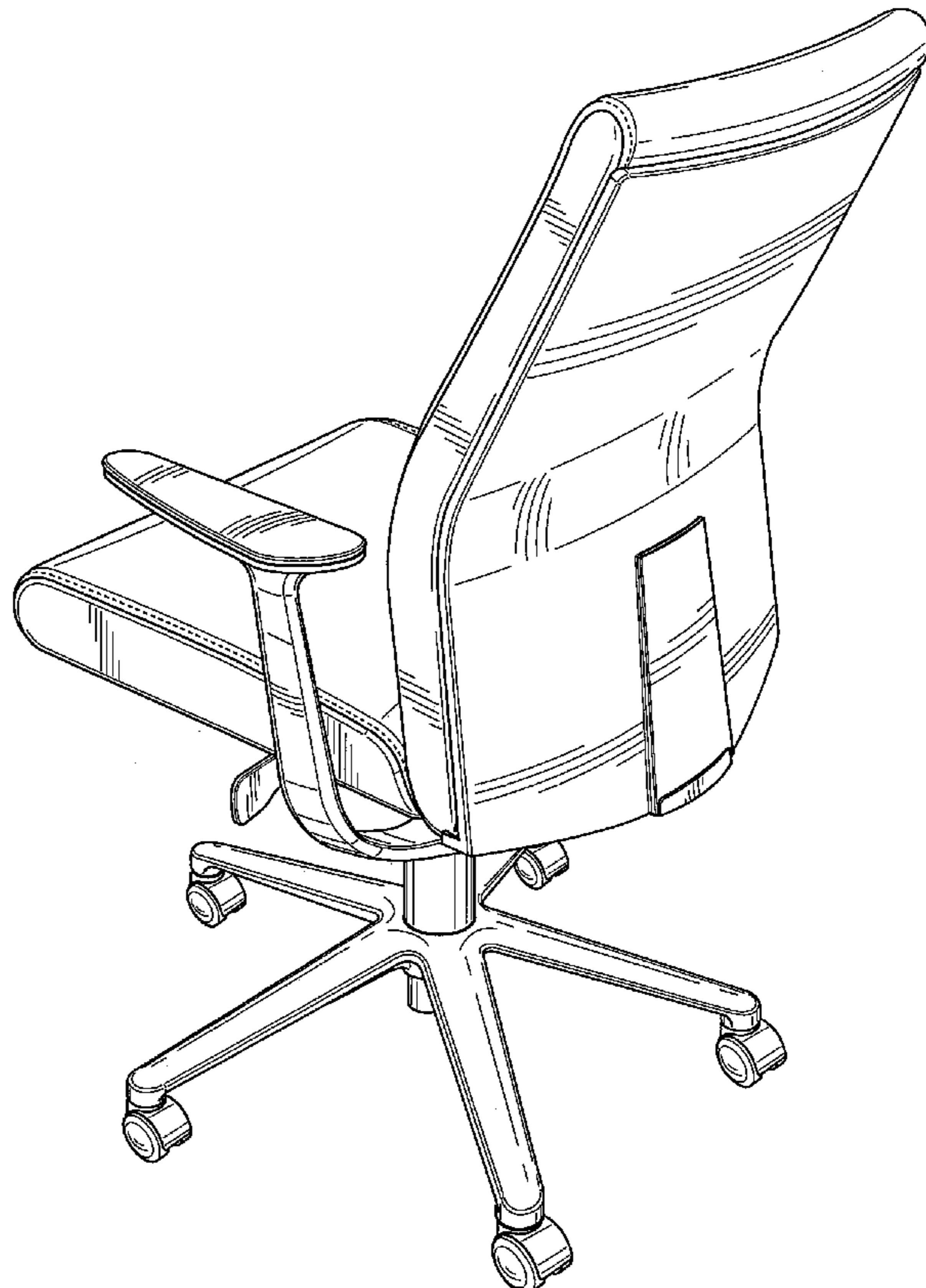
FIG. 6 is a back view of the chair.

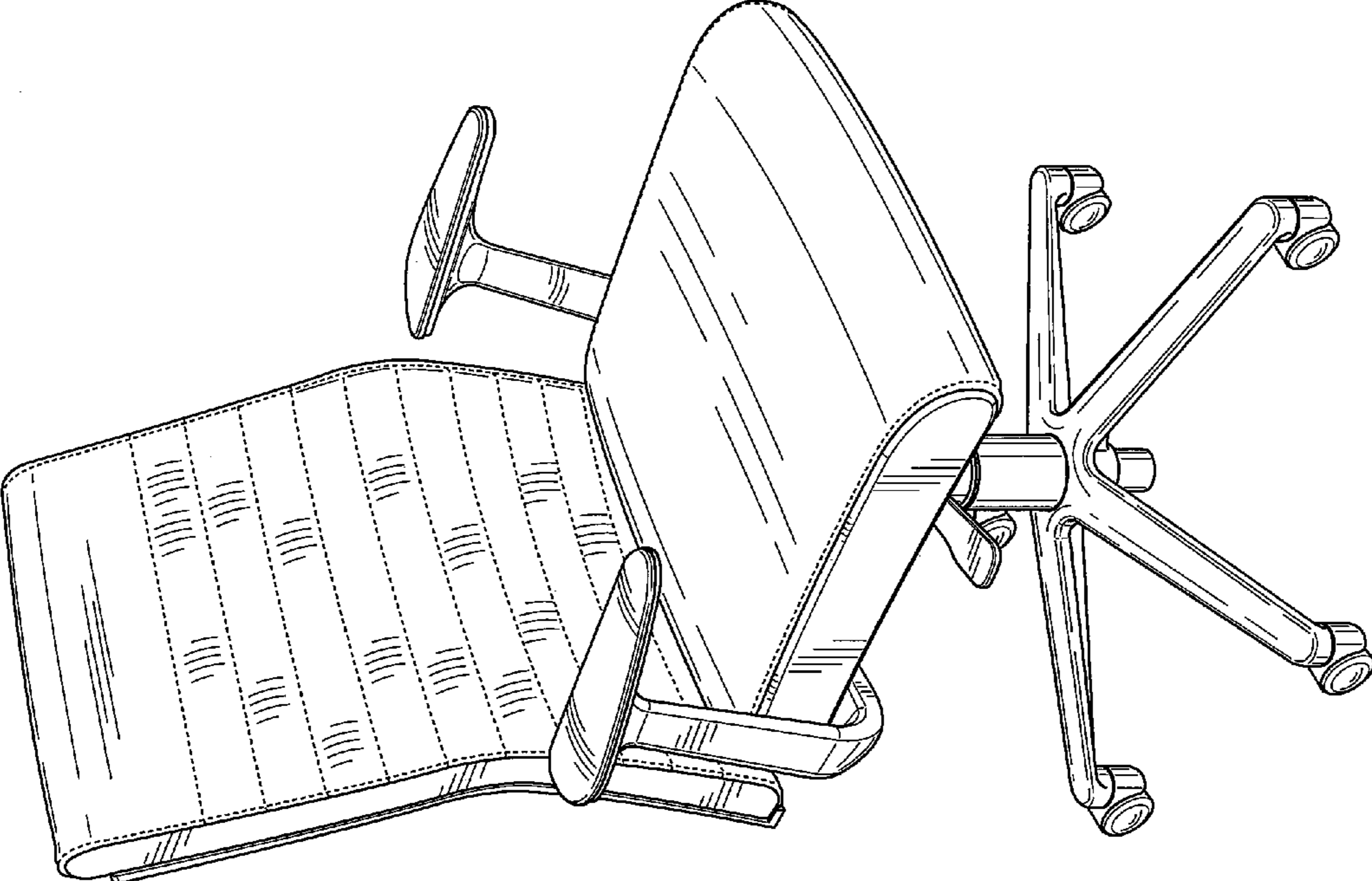
FIG. 7 is a top view of the chair; and,

FIG. 8 is a bottom view of the chair.

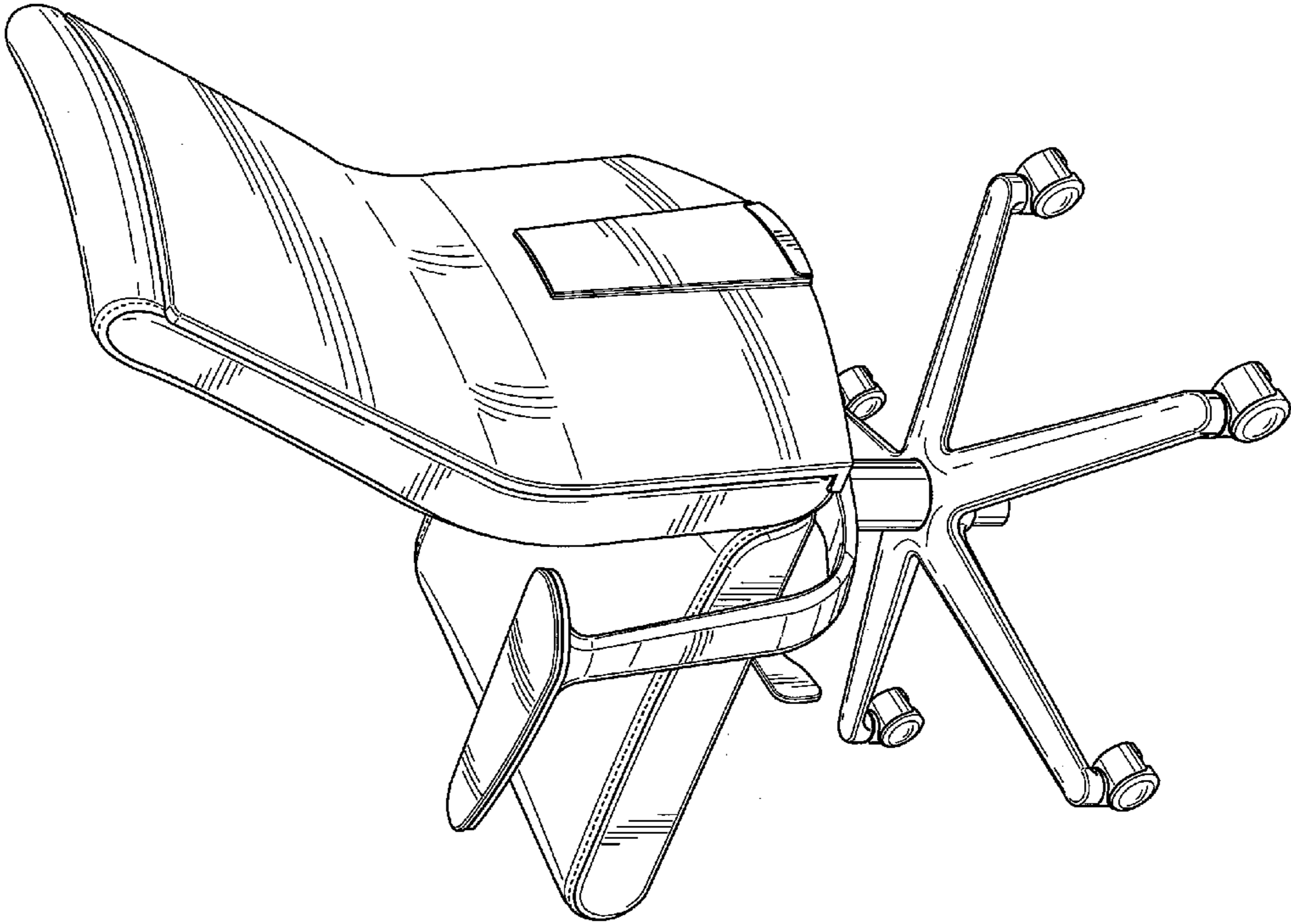
The short dashed lines shown on the backrest and seat cushions are understood to represent stitching.

**1 Claim, 8 Drawing Sheets**

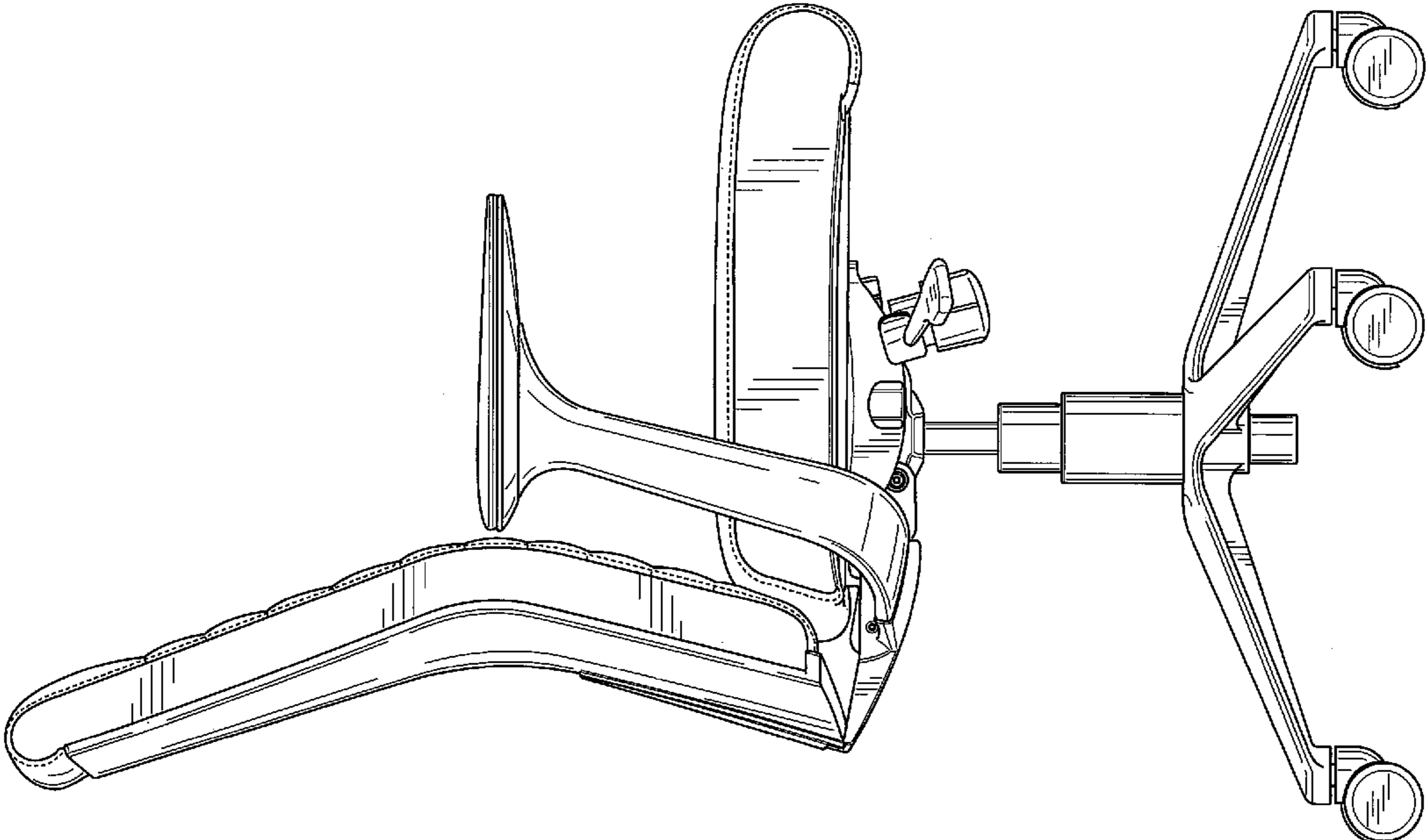




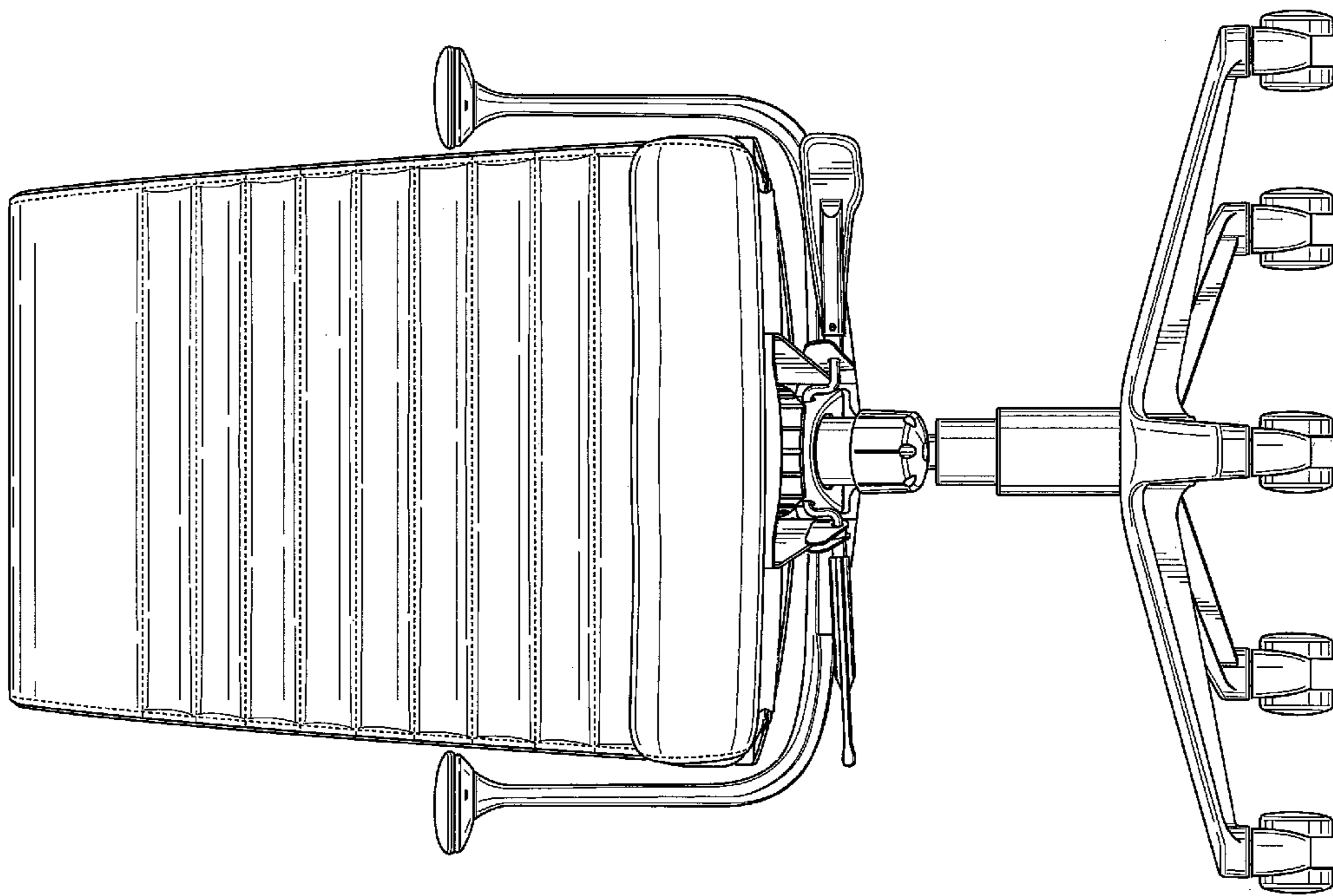
**FIG. 1**



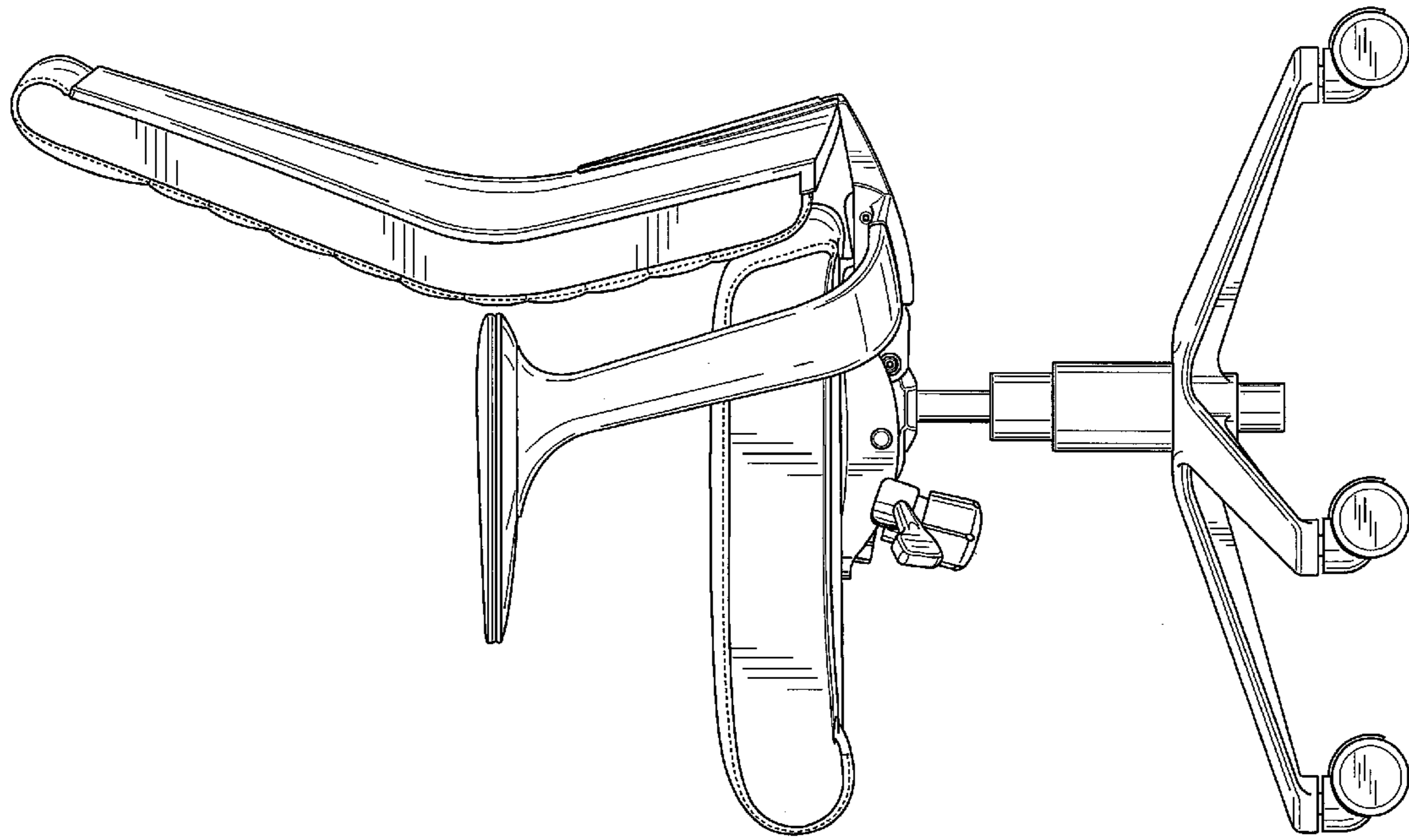
**FIG. 2**



**FIG. 3**



**FIG. 4**



**FIG. 5**

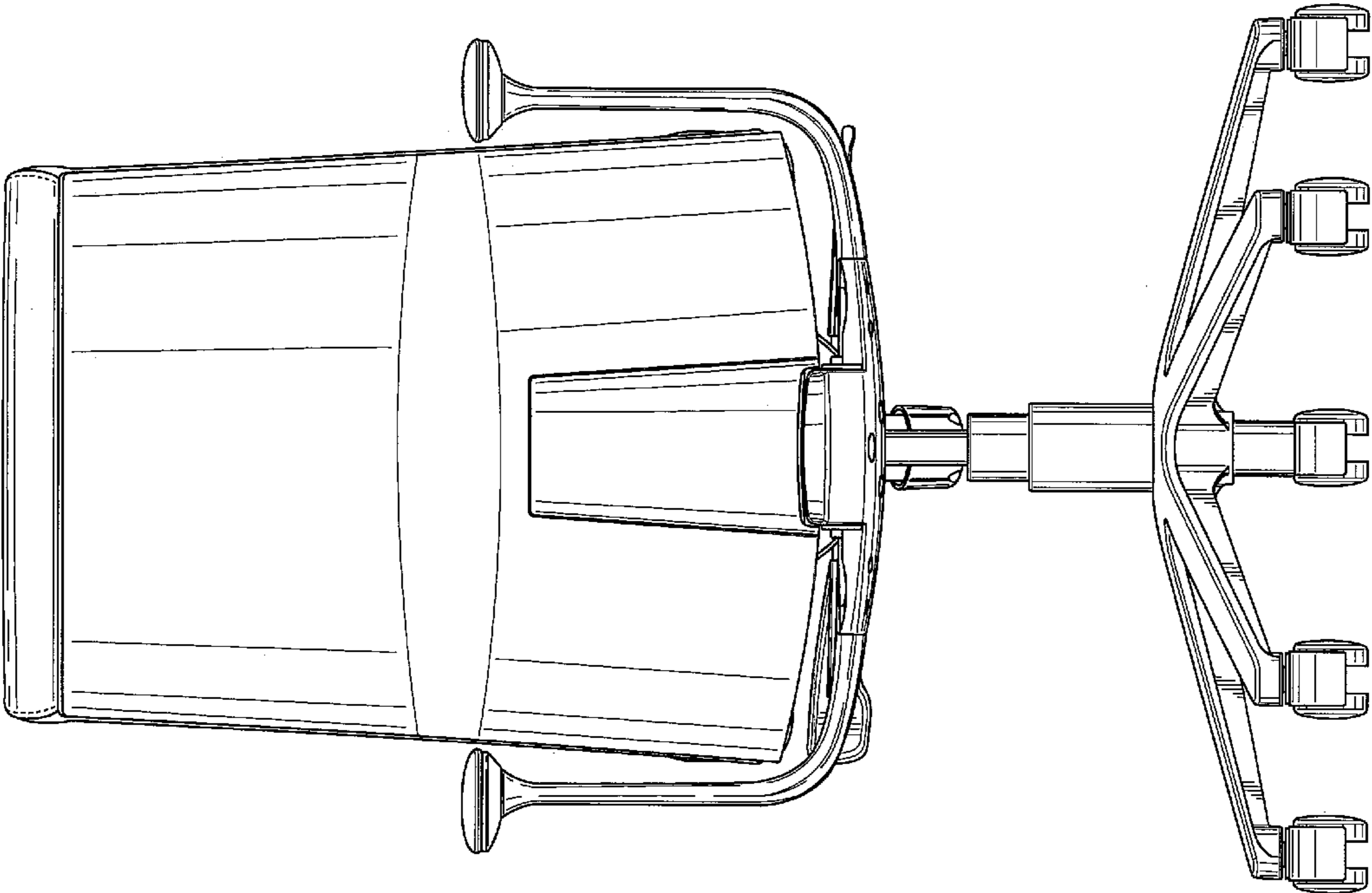
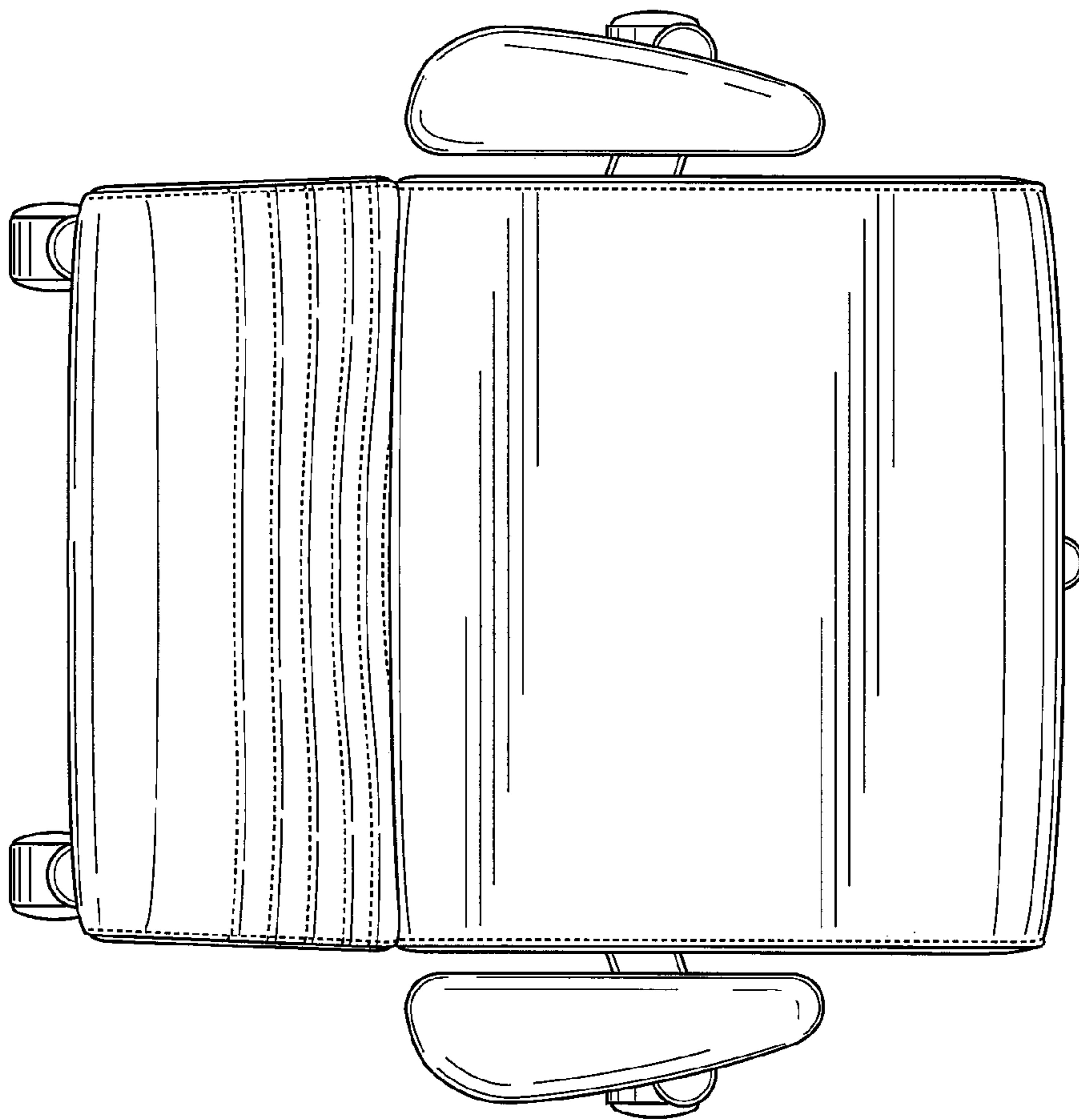
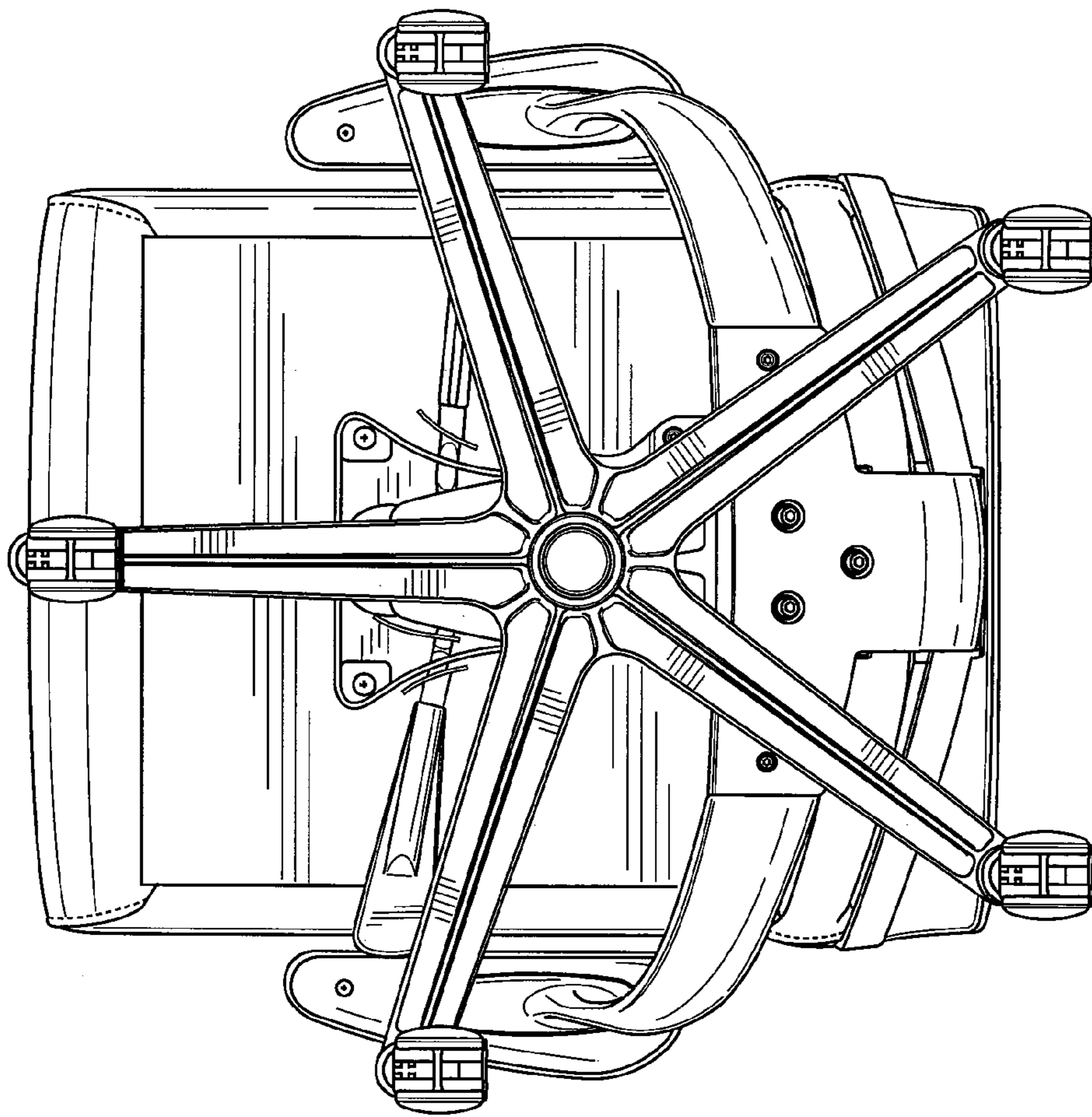


FIG. 6



**FIG. 7**





**FIG. 8**