

US00D597330S

(12) **United States Design Patent**  
**Neil**

(10) **Patent No.:** **US D597,330 S**

(45) **Date of Patent:** **\*\* Aug. 4, 2009**

(54) **CHAIR**

D563,686 S \* 3/2008 Raftery et al. .... D6/366  
D566,410 S \* 4/2008 Neil ..... D6/366

(75) Inventor: **Gary Neil**, Mississauga (CA)

\* cited by examiner

(73) Assignee: **Allseating Corporation**, Mississauga (CA)

*Primary Examiner*—Mimosa De  
(74) *Attorney, Agent, or Firm*—Miller Thomson LLP

(\*\*) Term: **14 Years**

(21) Appl. No.: **29/335,272**

(22) Filed: **Apr. 13, 2009**

(57) **CLAIM**

The ornamental design for the “chair,” as shown and described.

(51) **LOC (9) Cl.** ..... **06-01**

(52) **U.S. Cl.** ..... **D6/366**

(58) **Field of Classification Search** ..... D6/334–336,  
D6/364, 365, 366, 367, 369, 374, 379, 380,  
D6/498, 500–502; 297/284.4, 411.27, 452.13,  
297/452.19, 452.21, 452.3, 452.46, 452.56,  
297/452.64

See application file for complete search history.

**DESCRIPTION**

FIG. 1 is a front perspective view of the chair.

FIG. 2 is a back perspective view of the chair.

FIG. 3 is a right side view of the chair.

FIG. 4 is a front view of the chair.

FIG. 5 is a left side view of the chair.

FIG. 6 is a back view of the chair.

FIG. 7 is a top view of the chair; and,

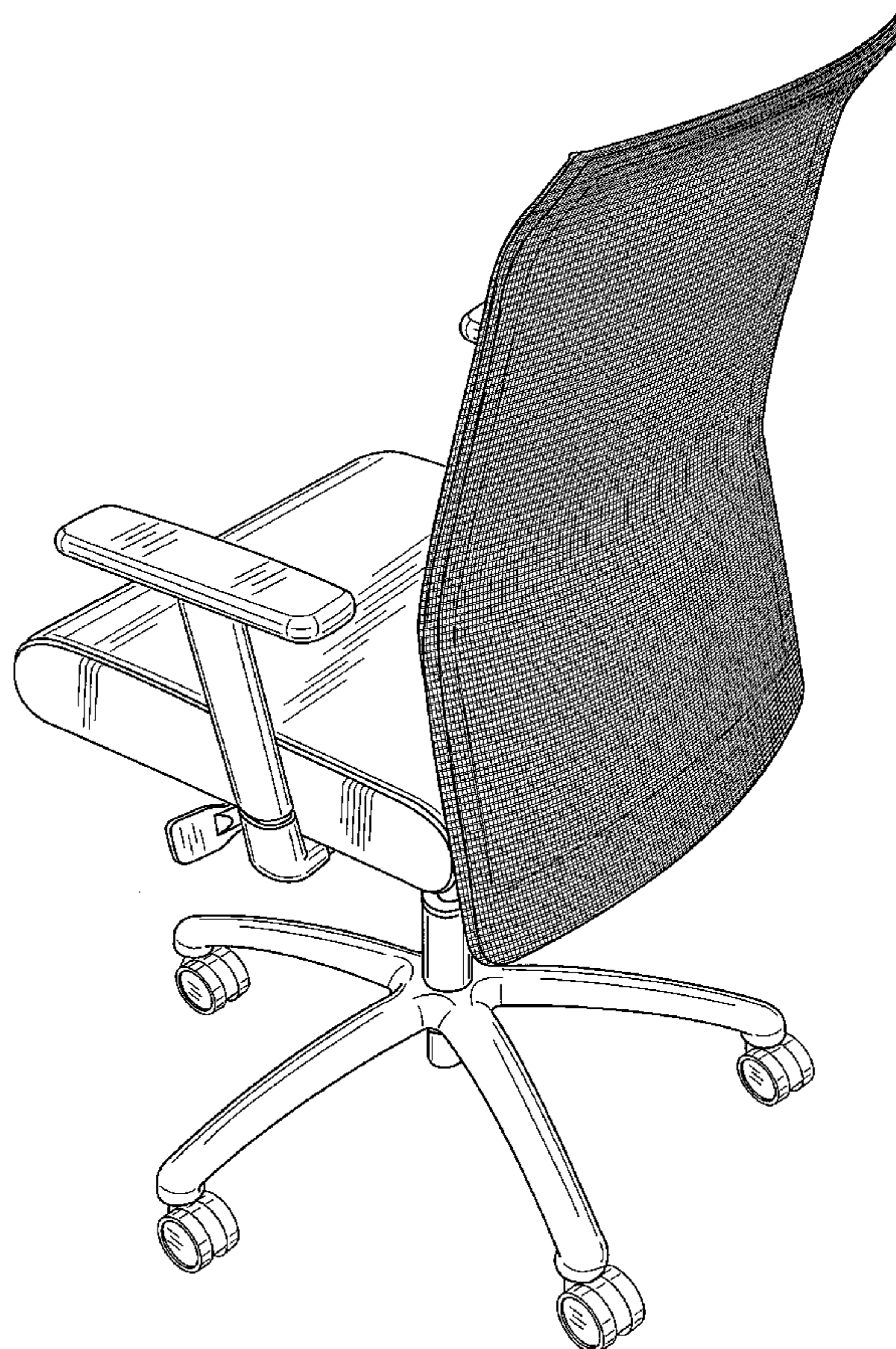
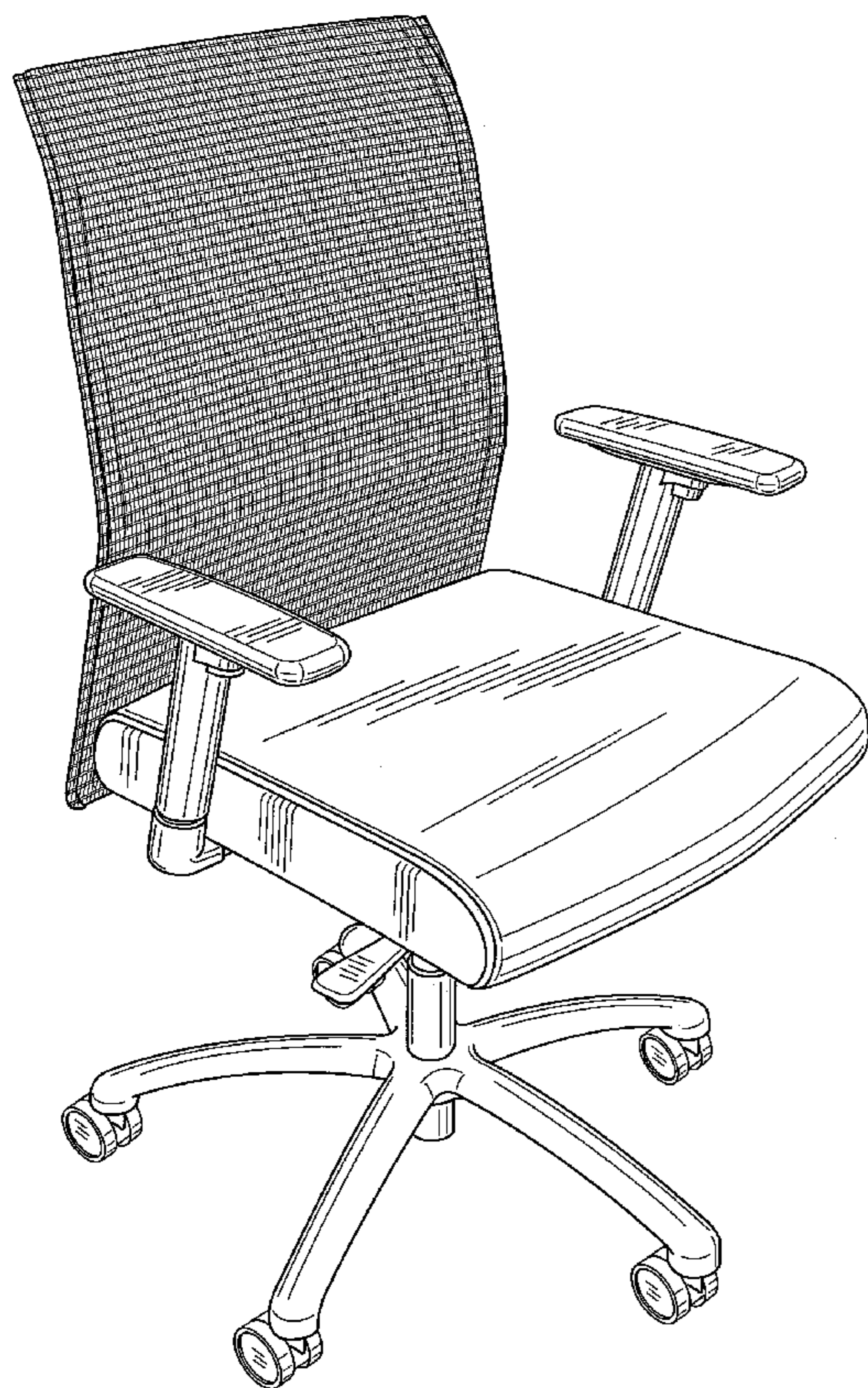
FIG. 8 is a bottom view of the chair.

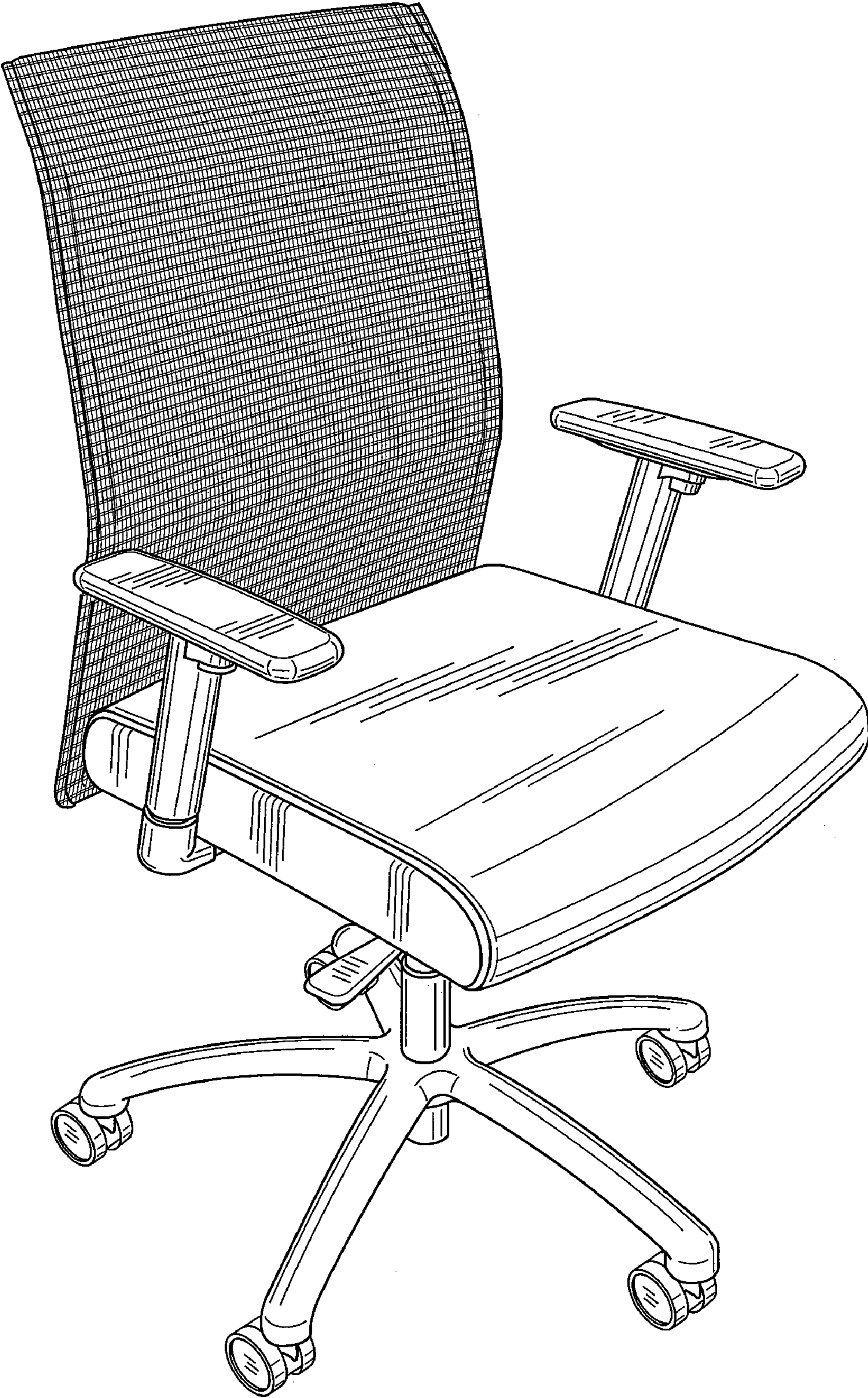
(56) **References Cited**

**U.S. PATENT DOCUMENTS**

D494,768 S \* 8/2004 Su ..... D6/366  
D506,894 S \* 7/2005 Harley ..... D6/502

**1 Claim, 8 Drawing Sheets**

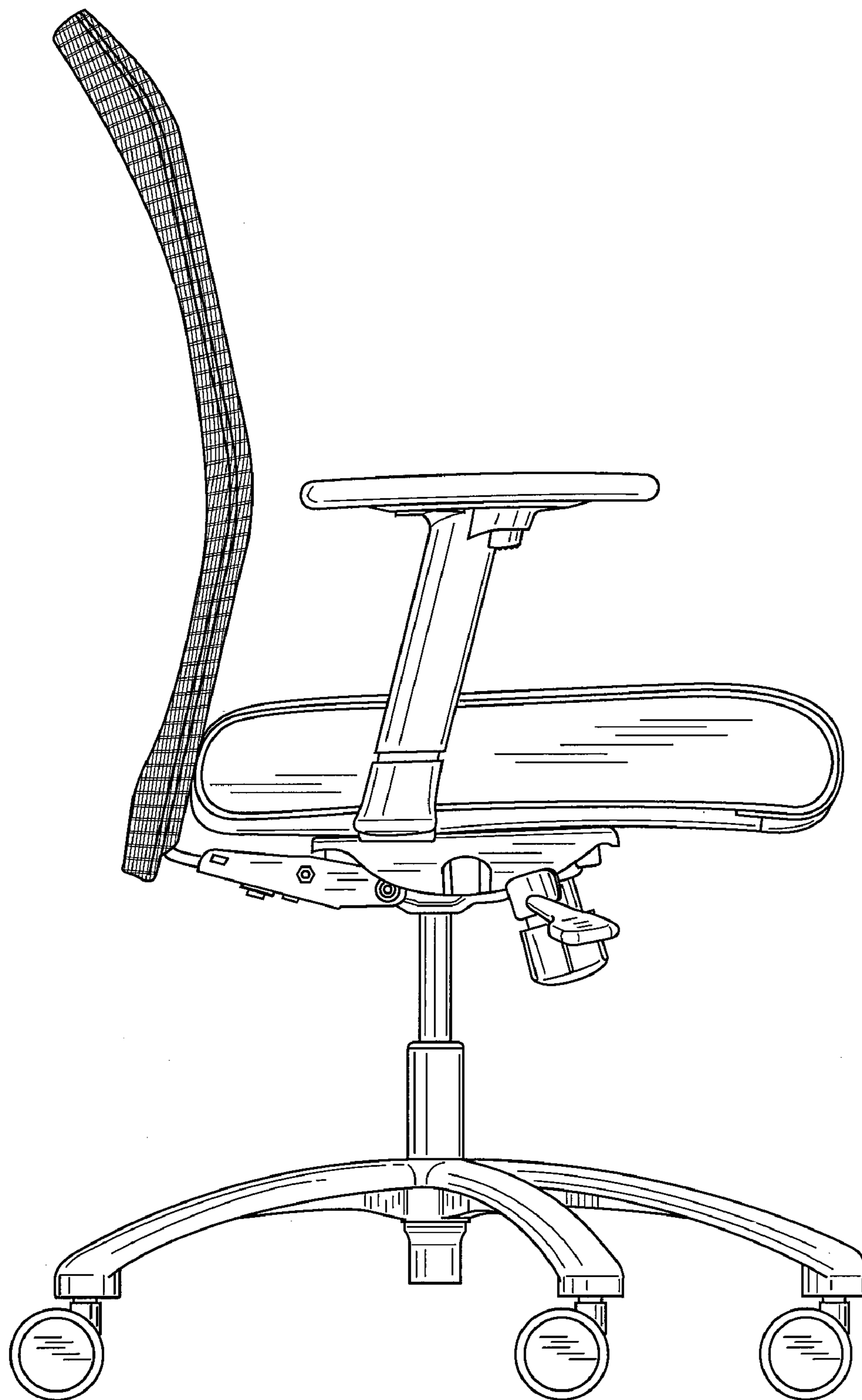




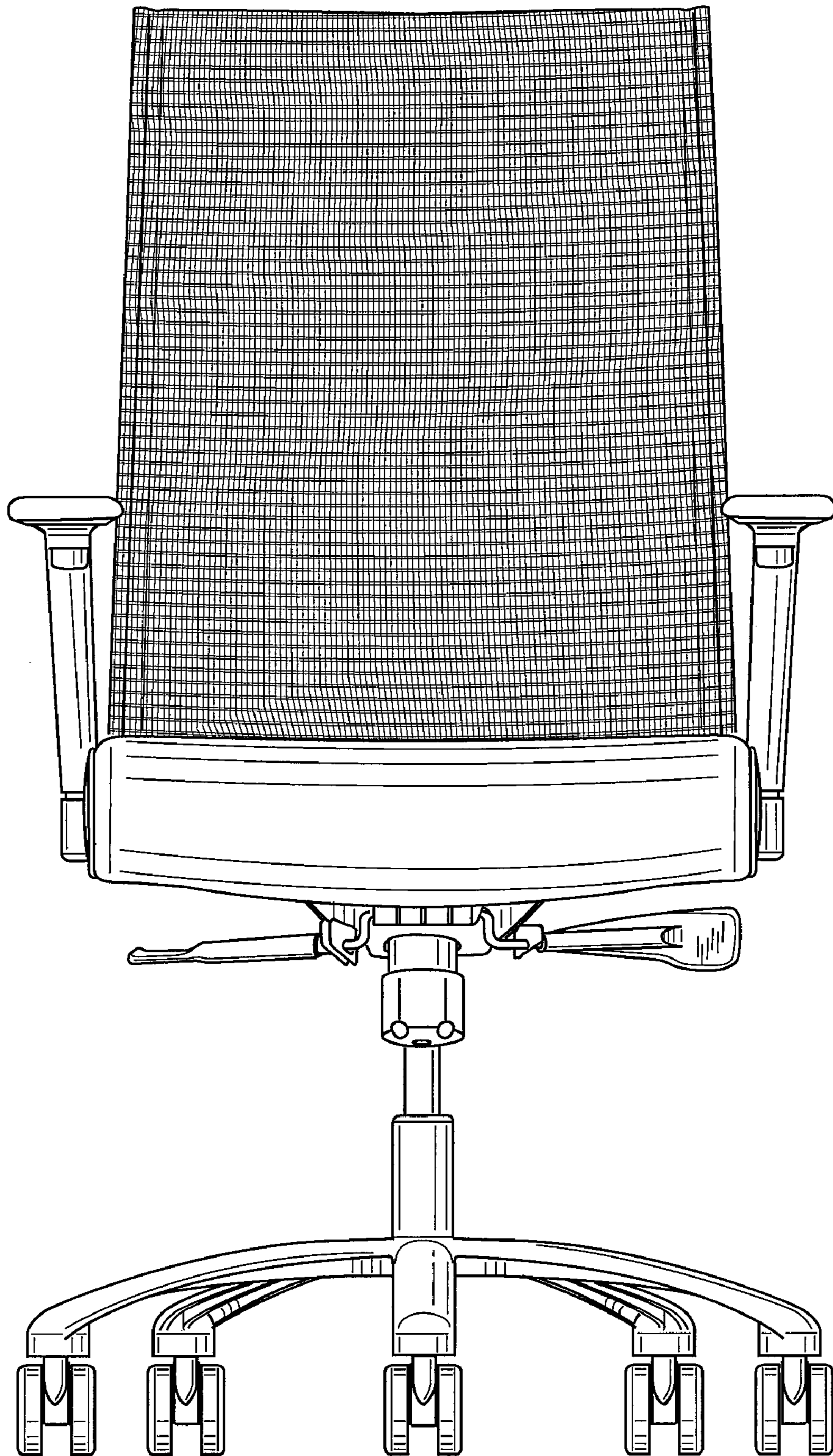
**FIG. 1**



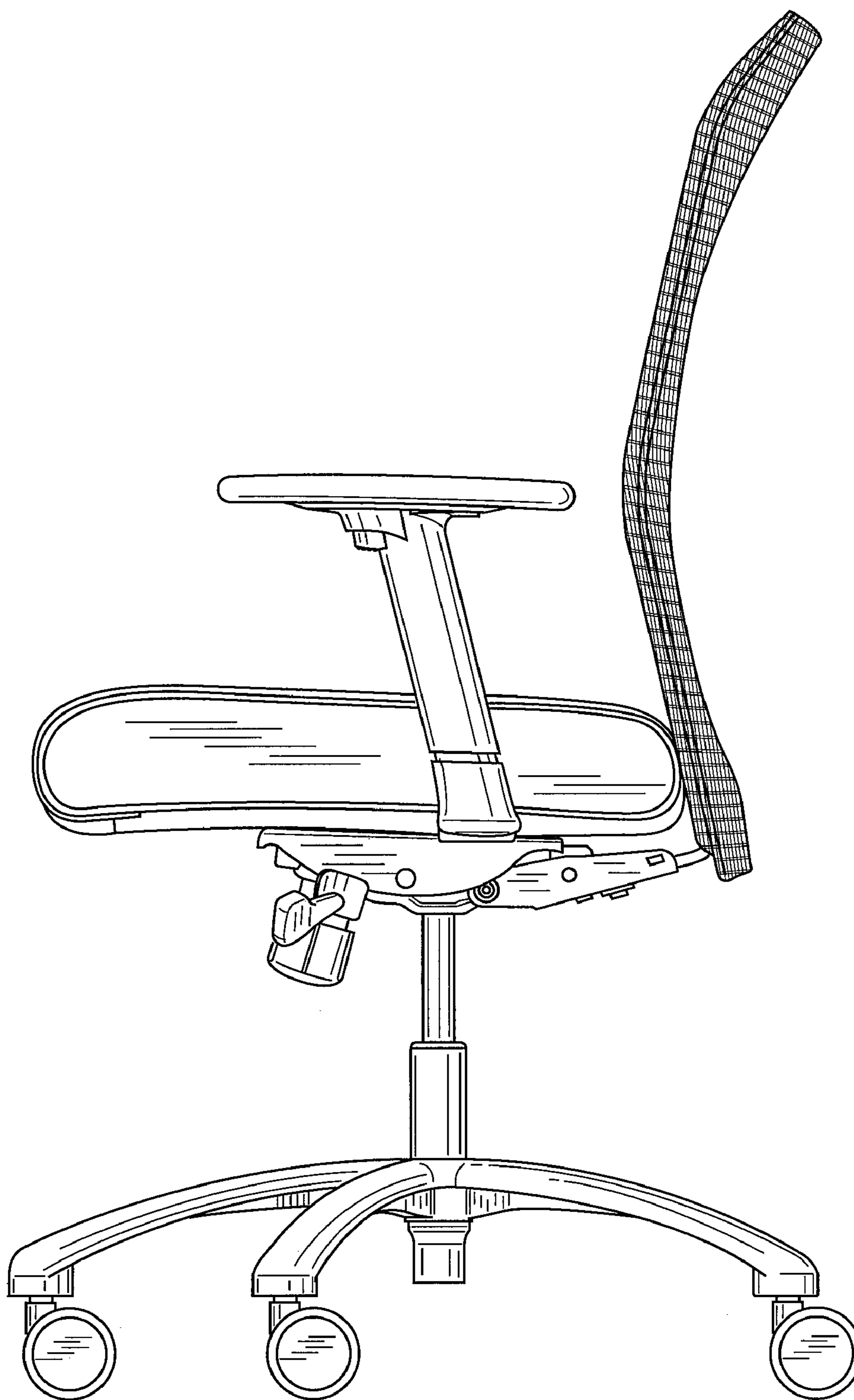
**FIG. 2**



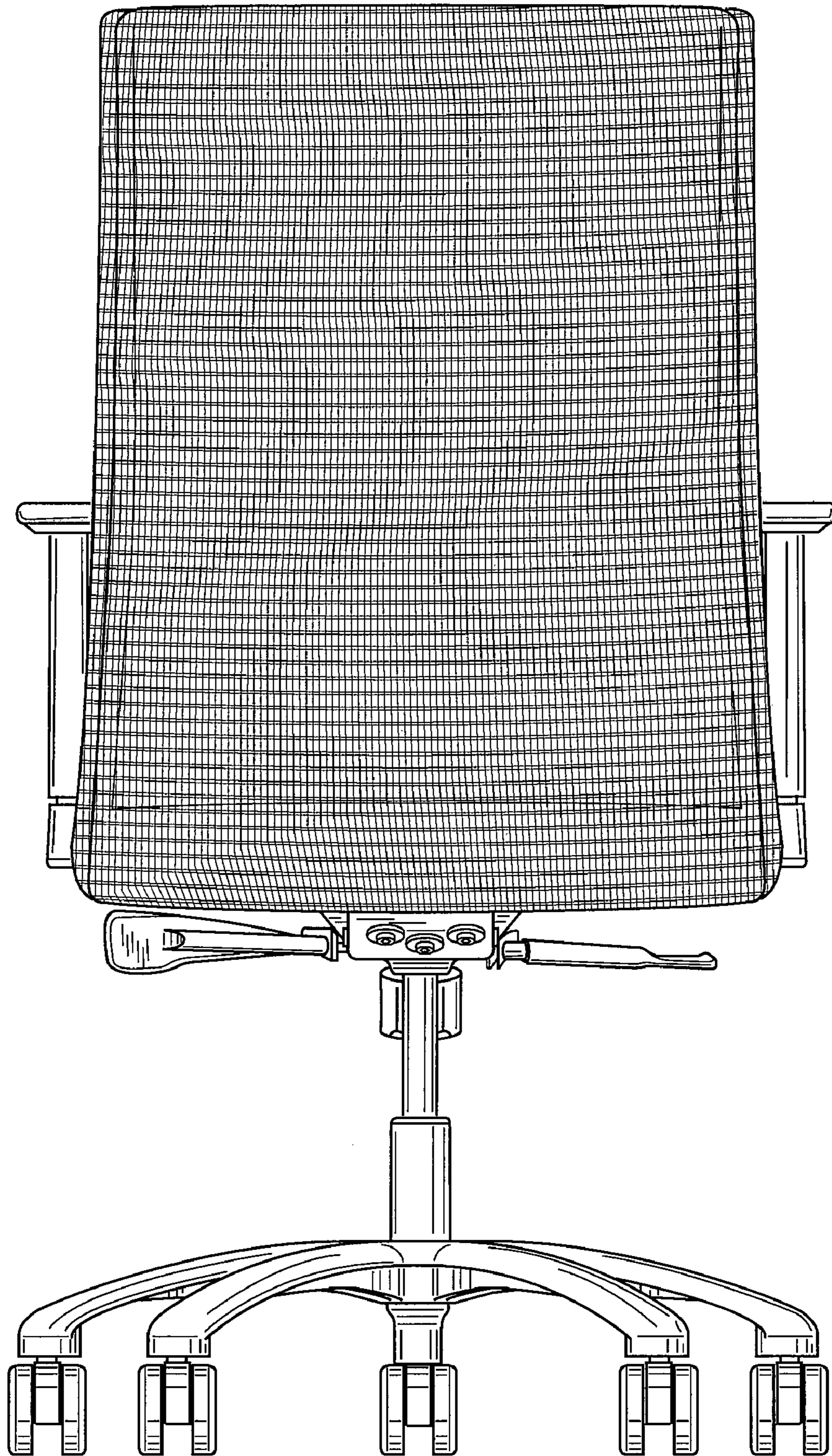
**FIG. 3**



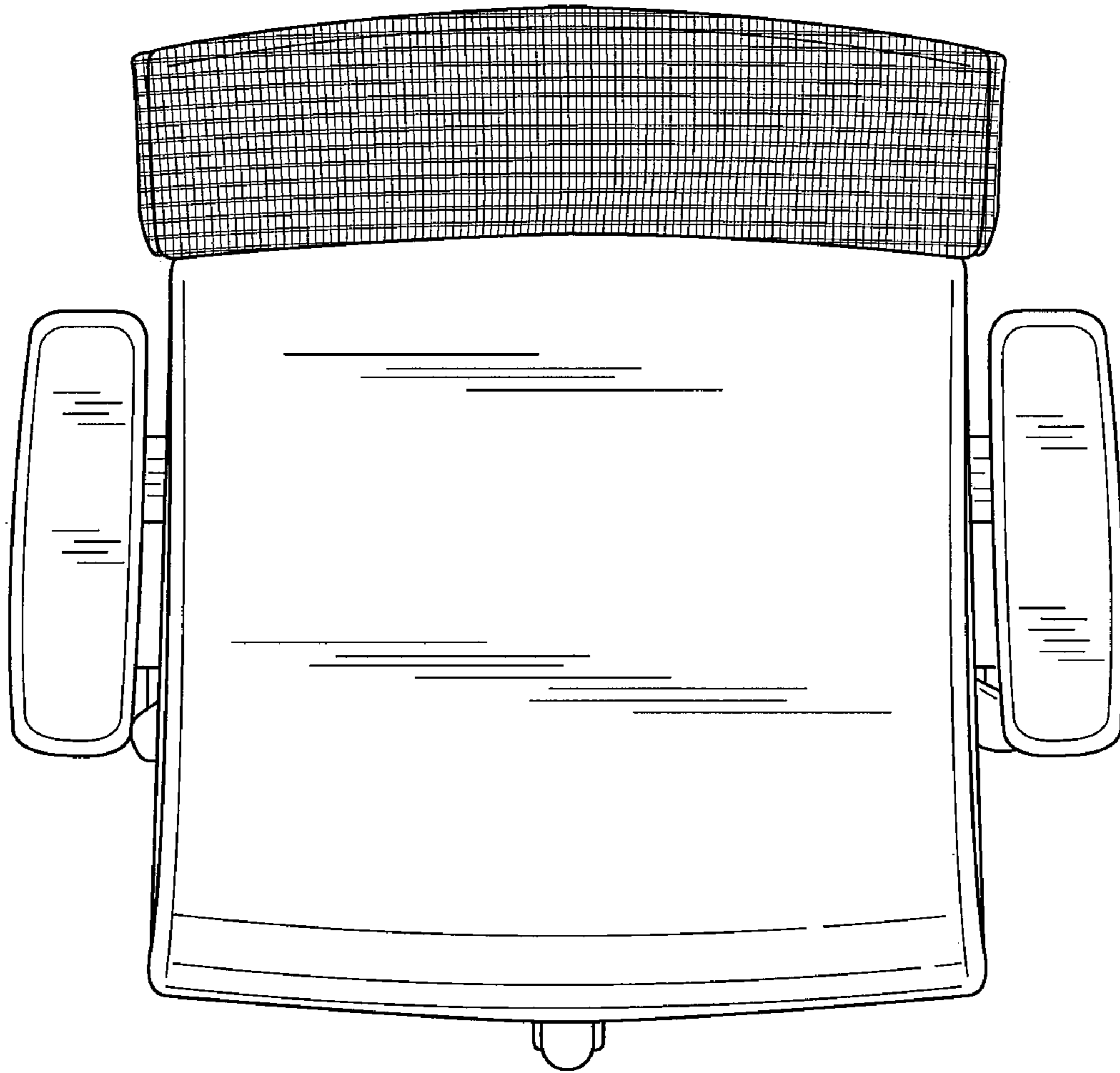
**FIG. 4**



**FIG. 5**

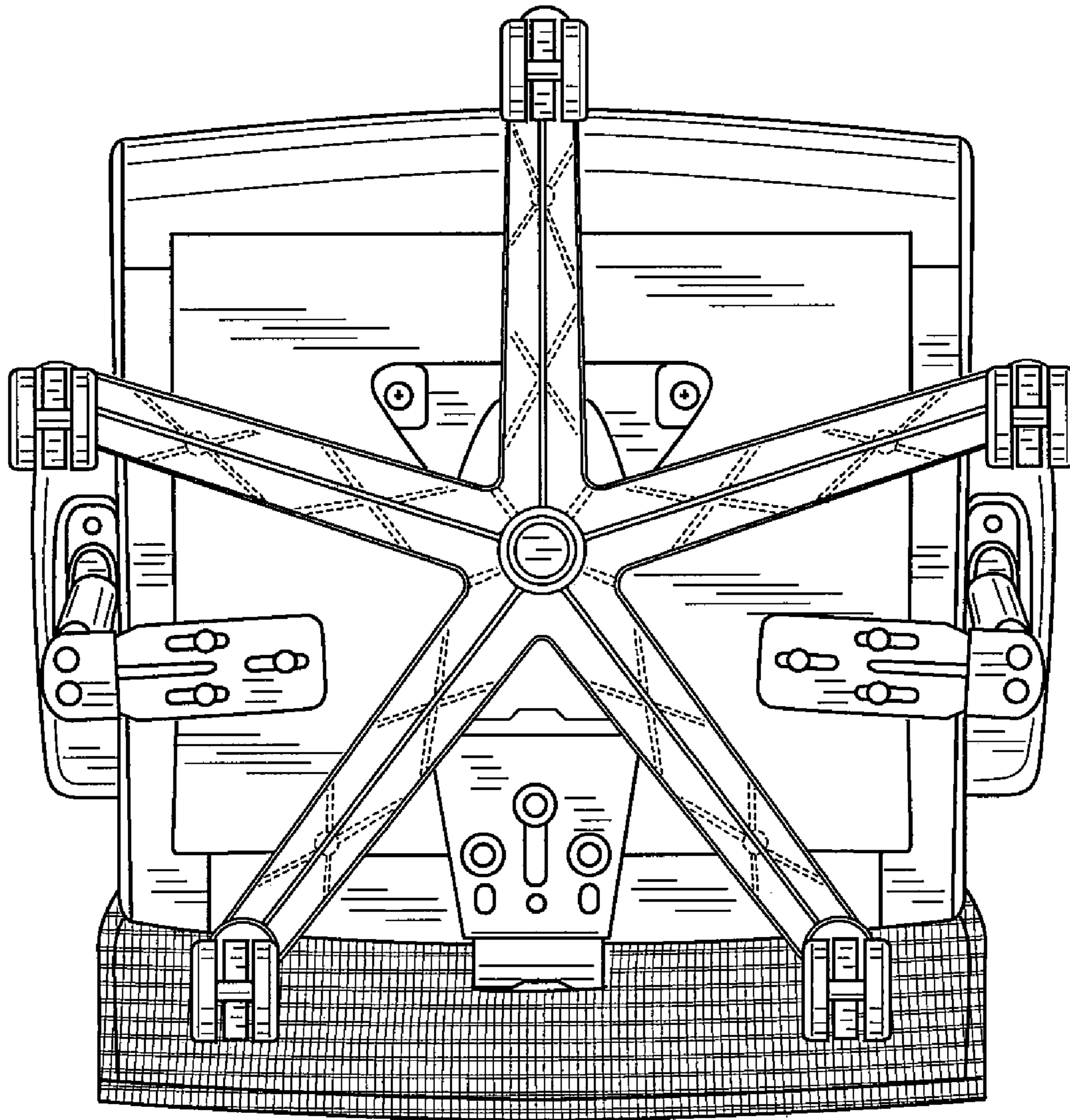


**FIG. 6**



**FIG. 7**





**FIG. 8**