



US00D597329S

(12) **United States Design Patent**  
**Tanaka et al.**

(10) **Patent No.:** **US D597,329 S**

(45) **Date of Patent:** **\*\* Aug. 4, 2009**

(54) **CHAIR**

(75) Inventors: **Kenji Tanaka**, Tokyo (JP); **Masato Kasuga**, Nagano (JP); **Toshiyuki Horiki**, Nagano (JP)

(73) Assignee: **Takano Co., Ltd.**, Nagano (JP)

(\*\*) Term: **14 Years**

(21) Appl. No.: **29/329,806**

(22) Filed: **Dec. 22, 2008**

(51) **LOC (9) Cl.** ..... **06-01**

(52) **U.S. Cl.** ..... **D6/366**

(58) **Field of Classification Search** ..... D6/334-336,  
D6/364, 365, 366, 367, 368, 374, 498, 500-502;  
297/411.27, 452.21, 452.29, 452.32, 452.35,  
297/452.37, 452.48

See application file for complete search history.

(56) **References Cited**

**U.S. PATENT DOCUMENTS**

D434,918 S *	12/2000	Arko et al. ....	D6/366
D507,437 S *	7/2005	Klaasen et al. ....	D6/500
D514,338 S *	2/2006	Bellin .....	D6/366
D557,027 S *	12/2007	Hara .....	D6/366
D558,998 S *	1/2008	Hara .....	D6/366
D567,522 S *	4/2008	Igarashi .....	D6/366
D567,523 S *	4/2008	Hara .....	D6/366
D571,568 S *	6/2008	Overthun et al. ....	D6/366
D576,810 S *	9/2008	Christianson et al. ....	D6/356
2007/0108831 A1 *	5/2007	Ueda .....	297/452.29

\* cited by examiner

*Primary Examiner*—Mimosa De

(74) *Attorney, Agent, or Firm*—Notaro & Michalos P.C.

(57) **CLAIM**

The ornamental design for a chair, as shown and described.

**DESCRIPTION**

FIG. 1 is a front top right perspective view of a chair, showing our new design therefore;

FIG. 2 is a rear top right perspective view thereof;

FIG. 3 is a front elevational view thereof;

FIG. 4 is a rear elevational view thereof;

FIG. 5 is a top plan view thereof;

FIG. 6 is a bottom plan view thereof;

FIG. 7 is a right side elevational view thereof;

FIG. 8 is a left side elevational view thereof;

FIG. 9 is a view similar to FIG. 1 of a second embodiment of the invention;

FIG. 10 is a rear top right perspective view of the second embodiment;

FIG. 11 is a front elevational view of the second embodiment;

FIG. 12 is a rear elevational view of the second embodiment;

FIG. 13 is a top plan view of the second embodiment;

FIG. 14 is a bottom plan view of the second embodiment;

FIG. 15 is a right side elevational view of the second embodiment; and,

FIG. 16 is a left side elevational view of the second embodiment.

**1 Claim, 16 Drawing Sheets**

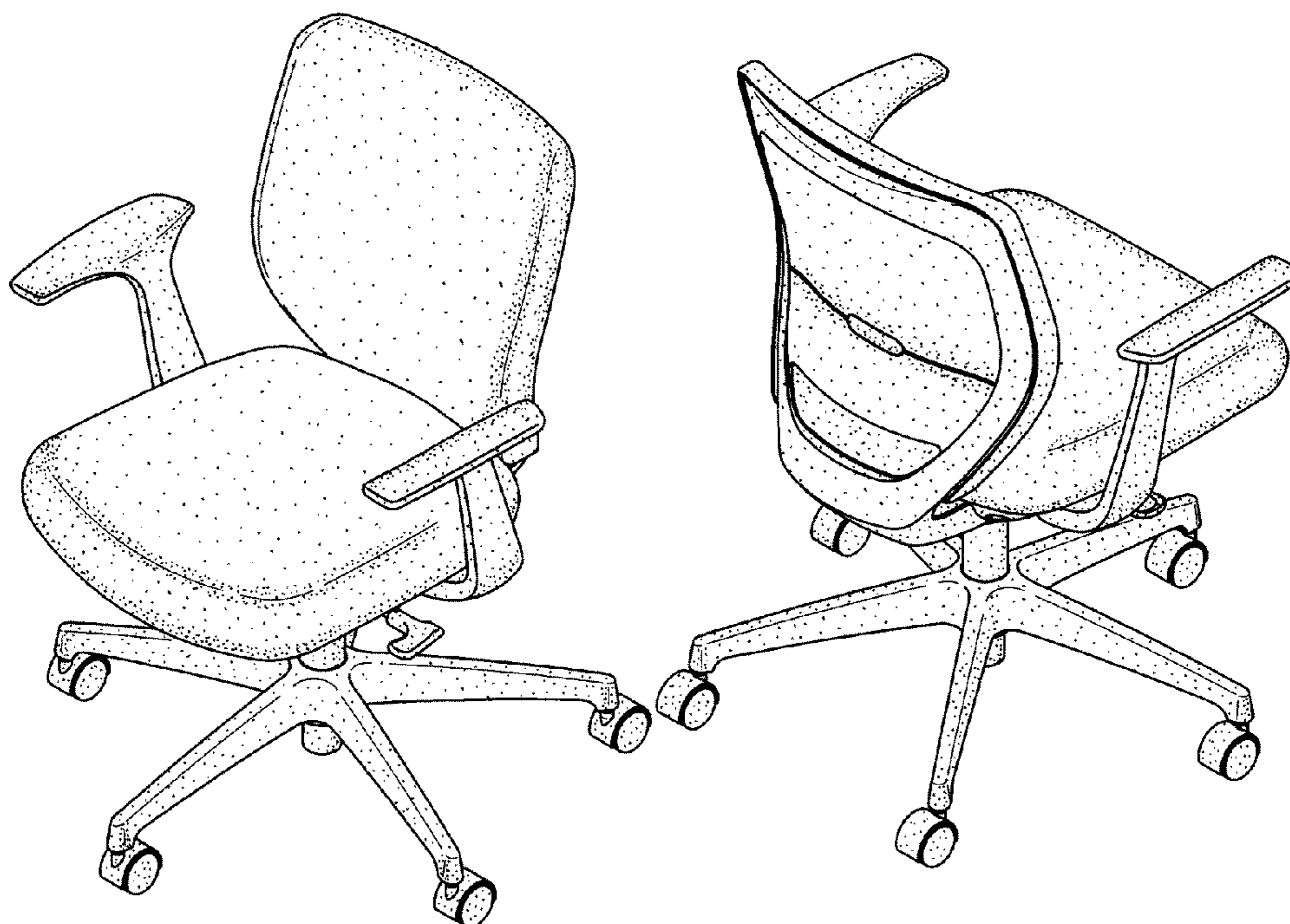




Fig. 1

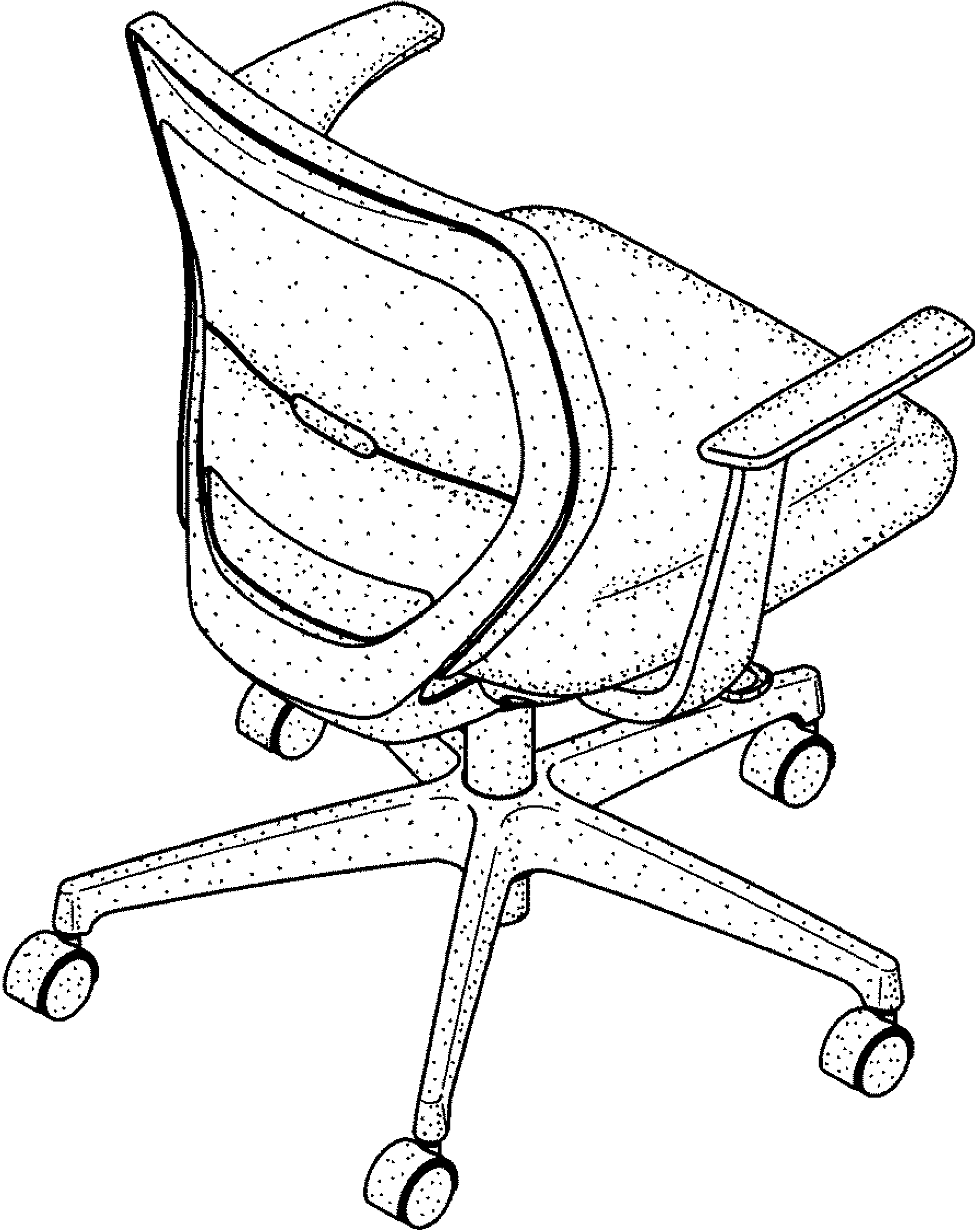


Fig. 2



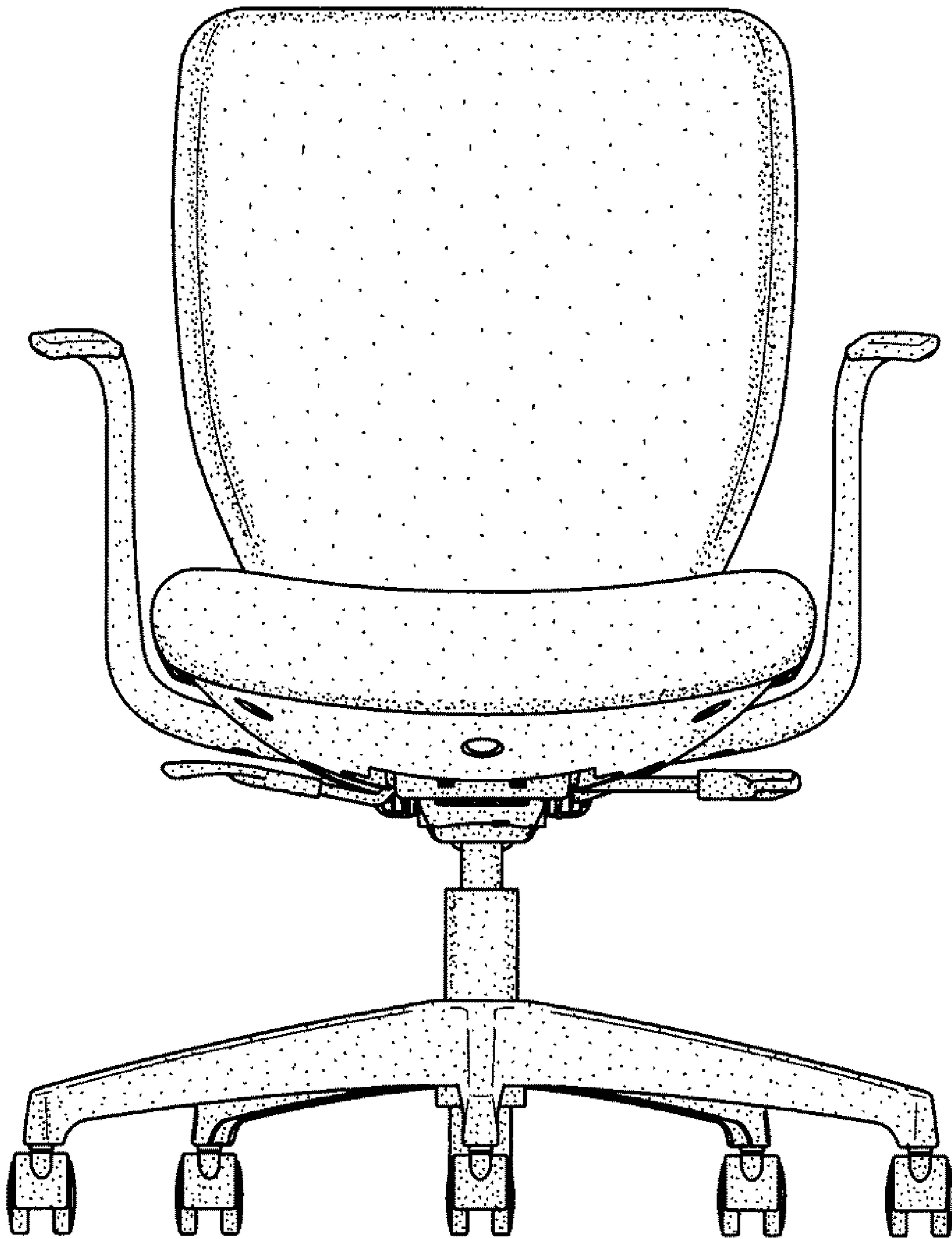


Fig. 3

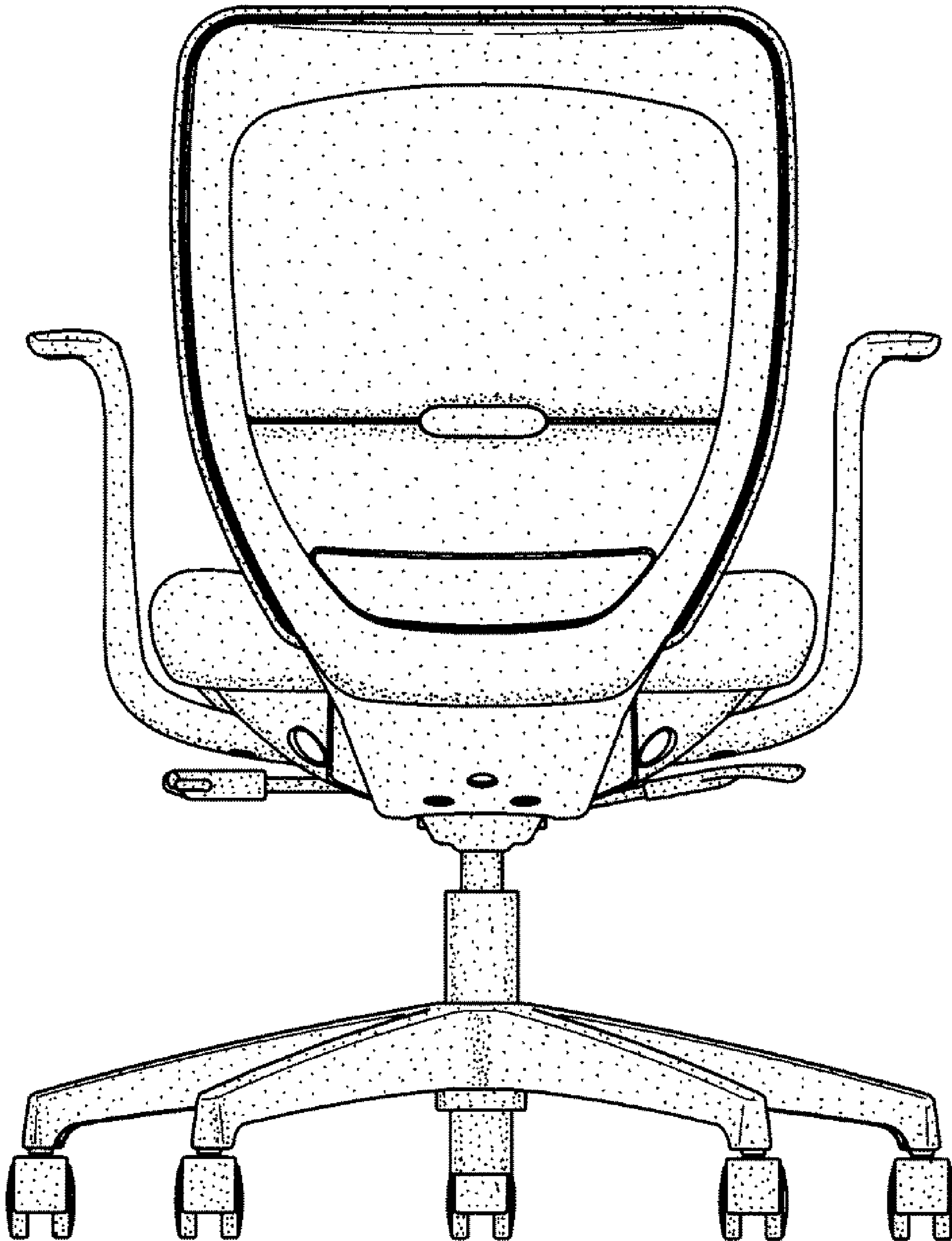


Fig. 4

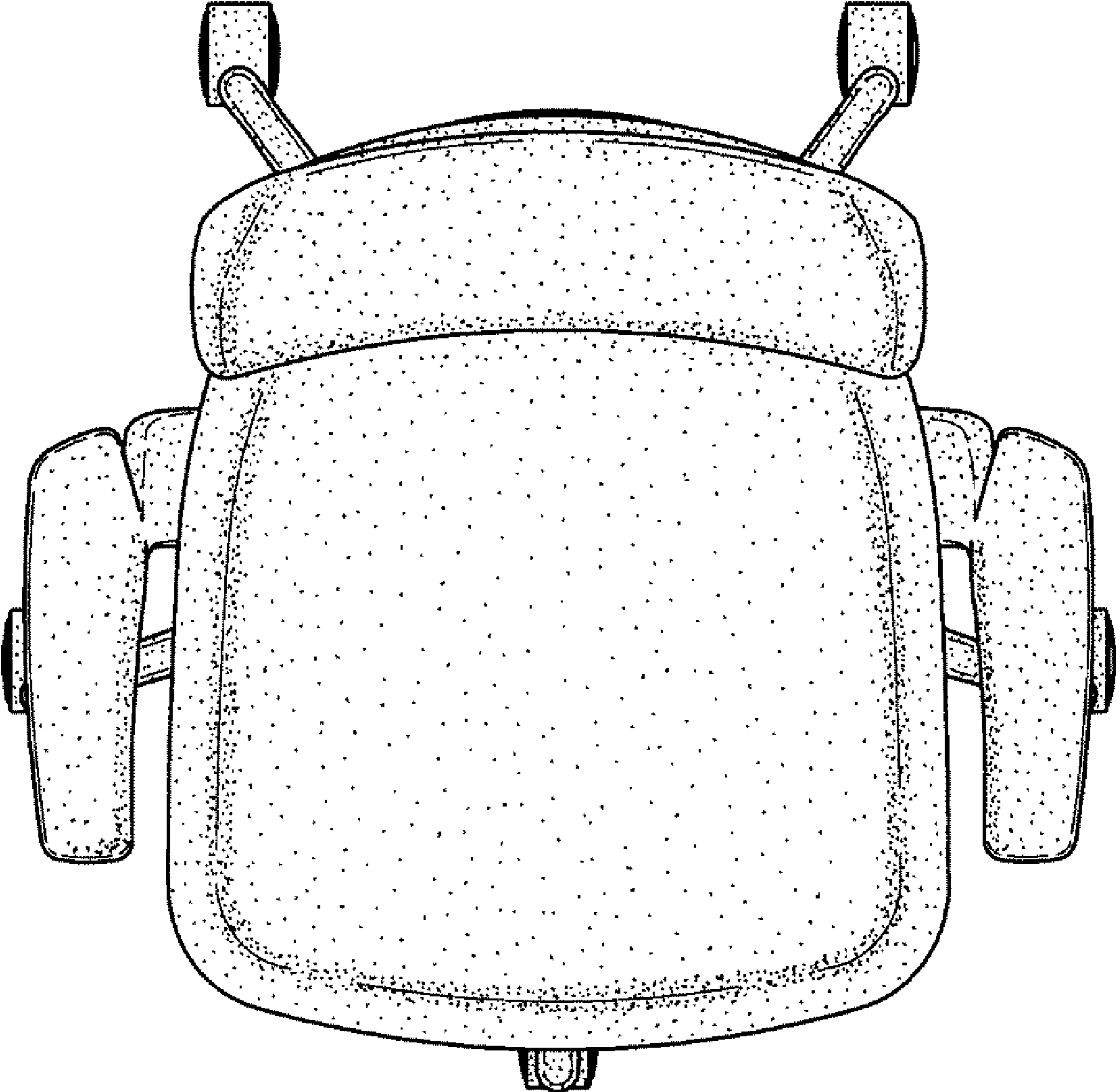


Fig. 5

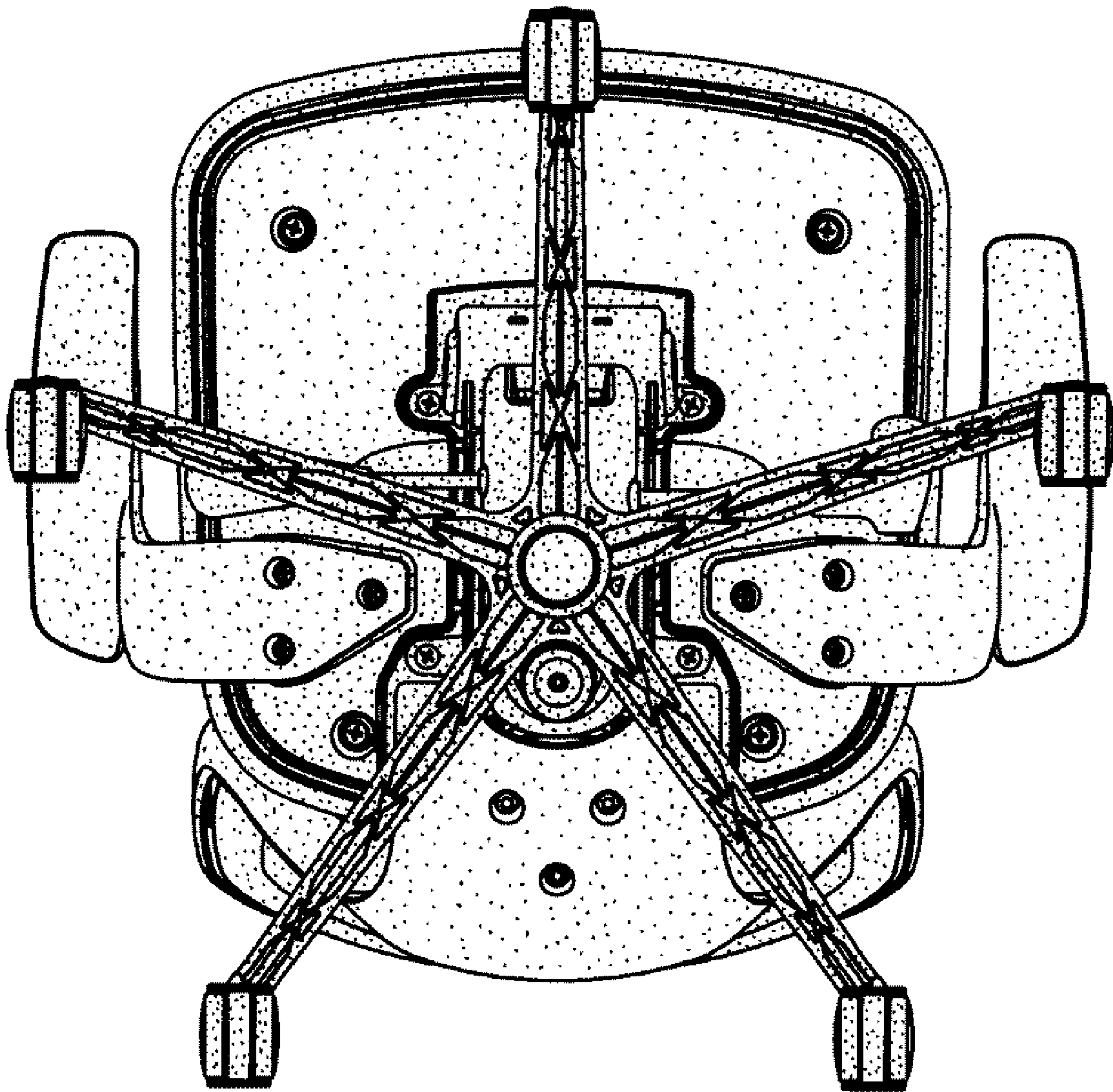


Fig. 6



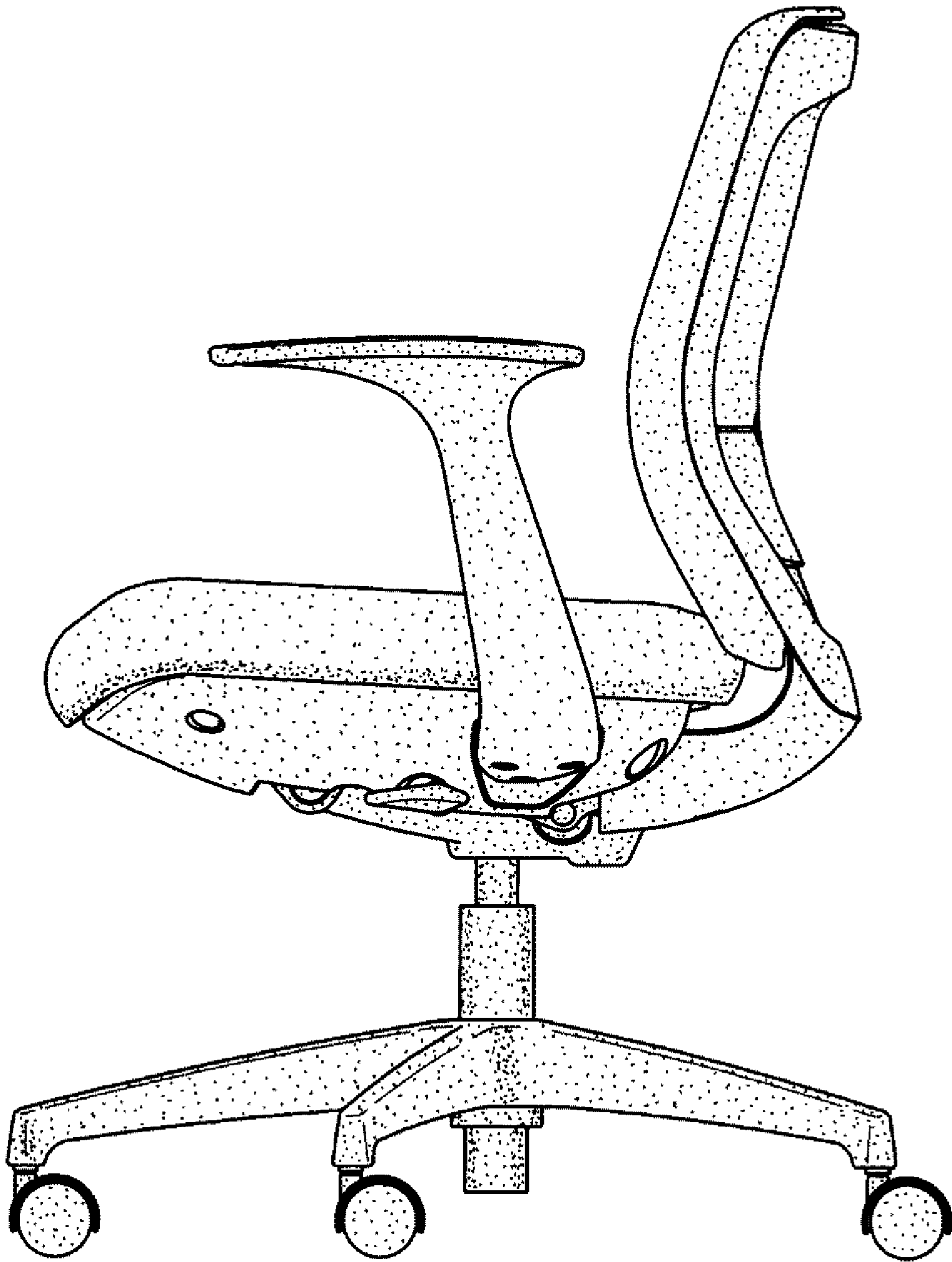


Fig. 7



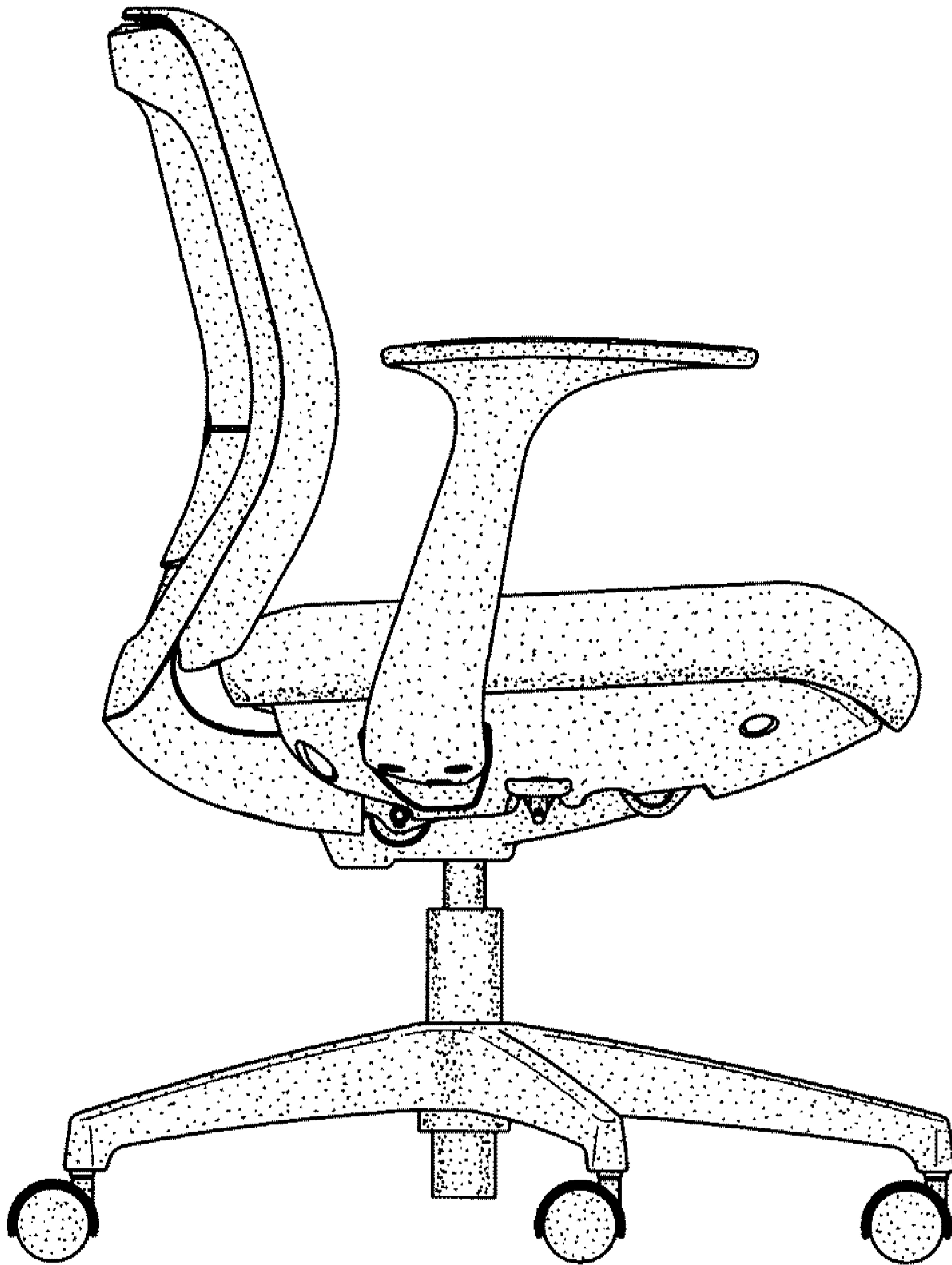


Fig. 8

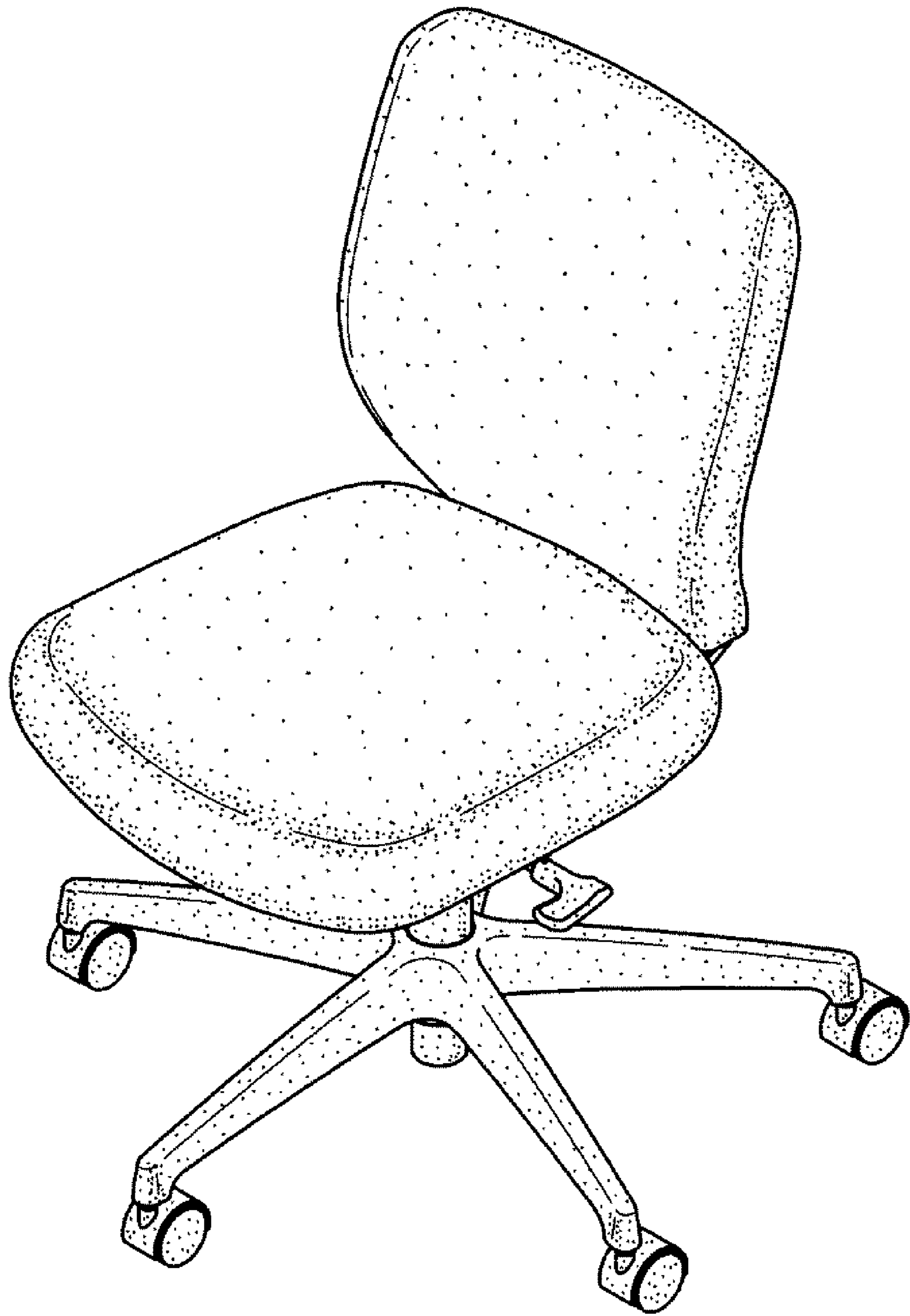


Fig. 9

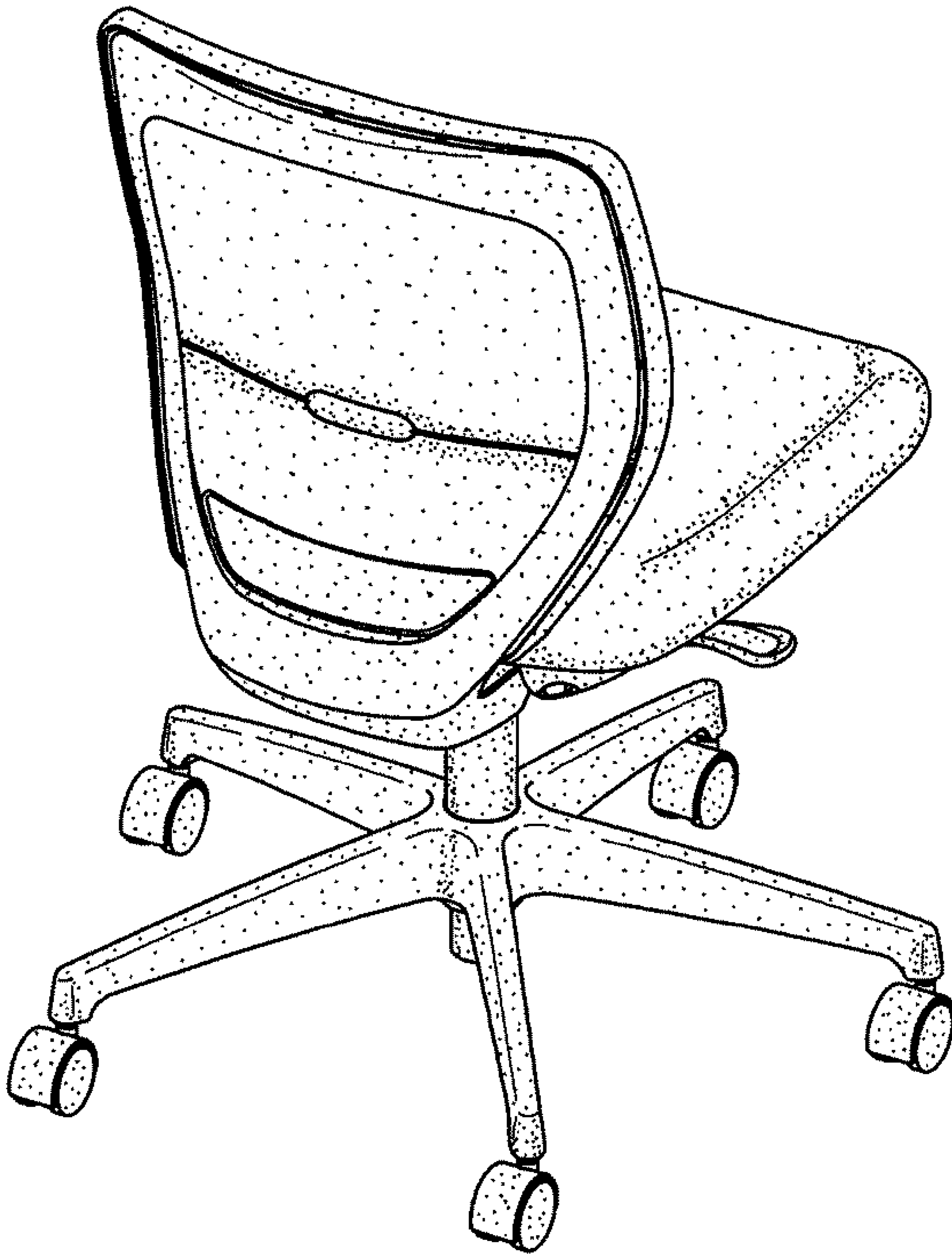


Fig.10

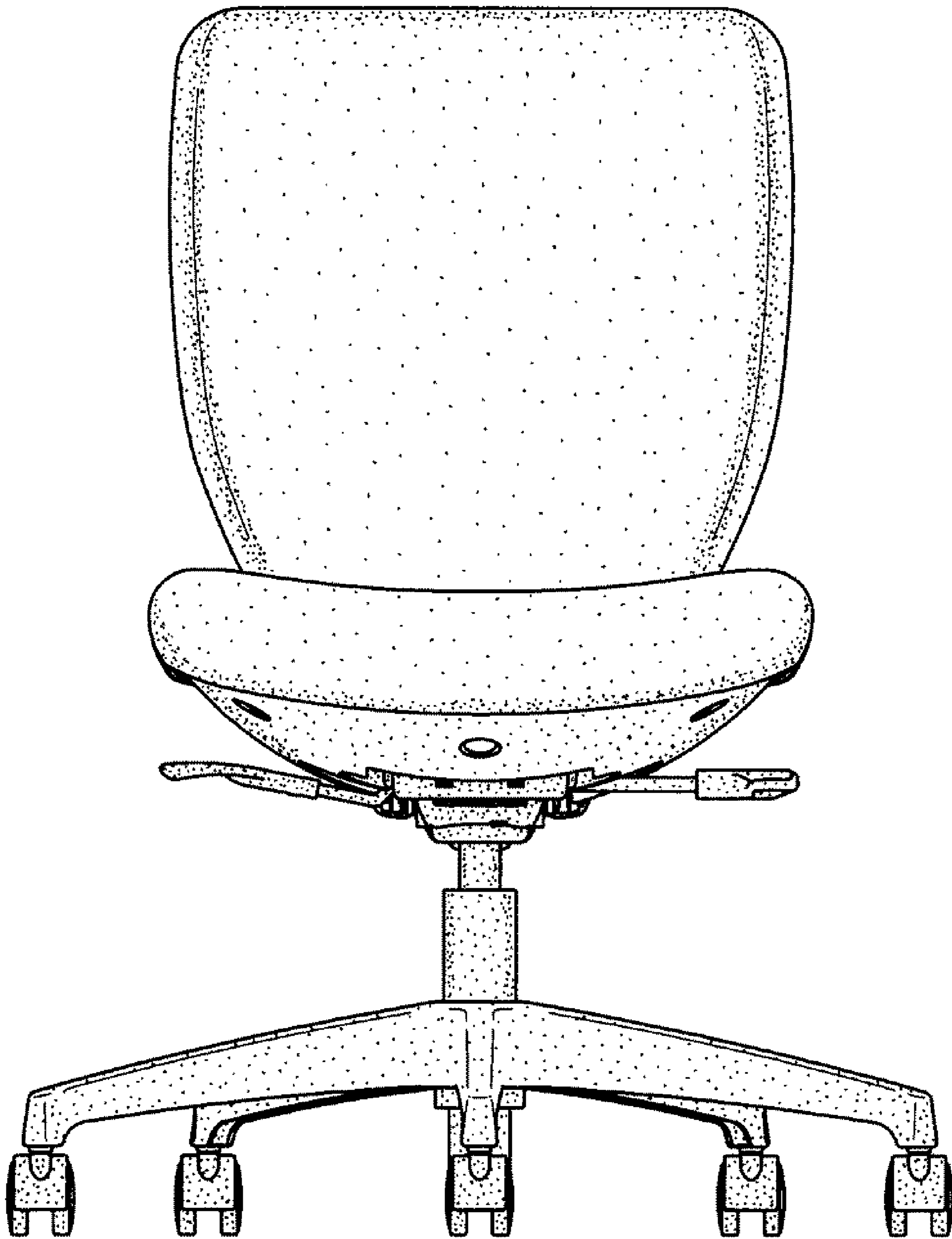


Fig. 11



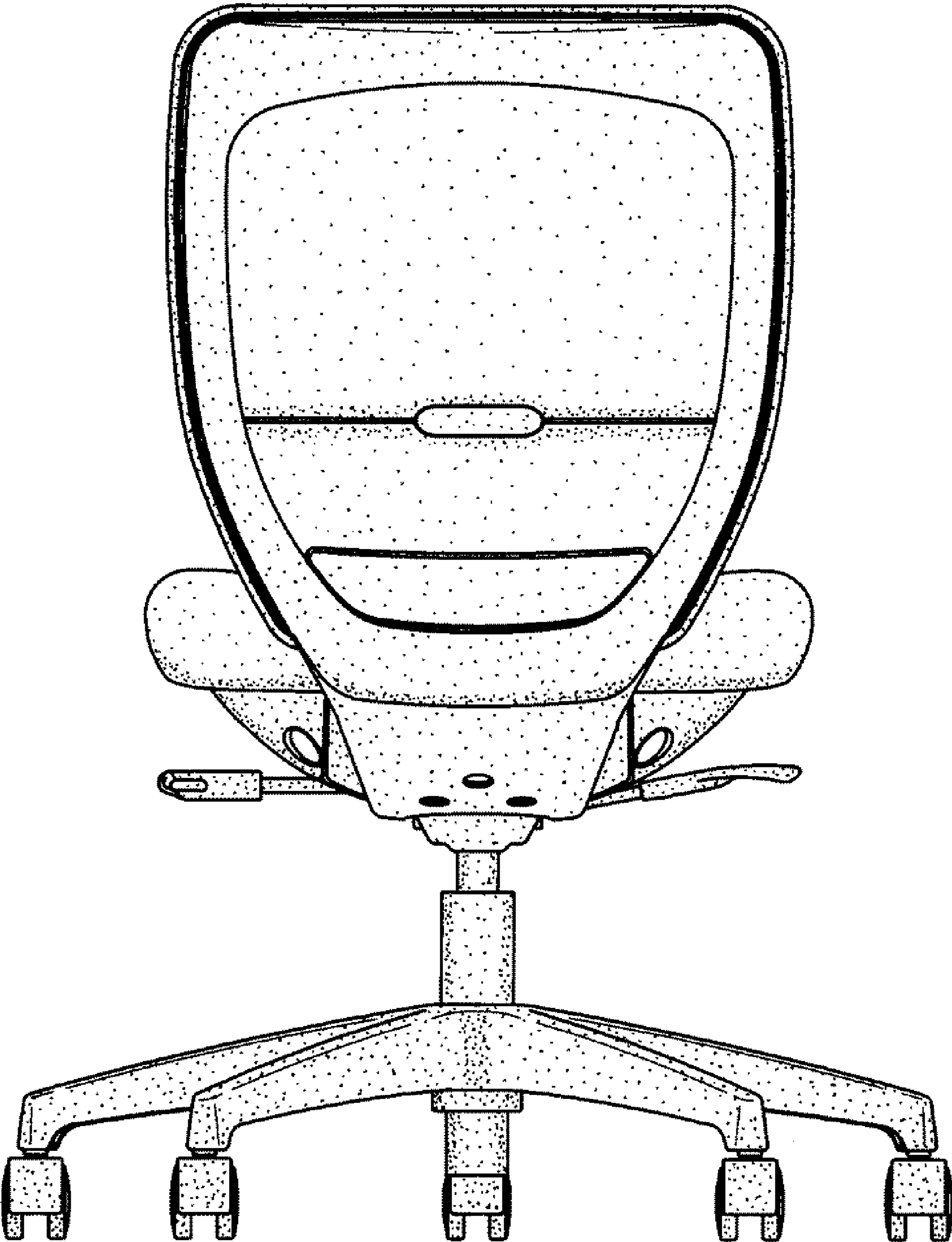


Fig. 12

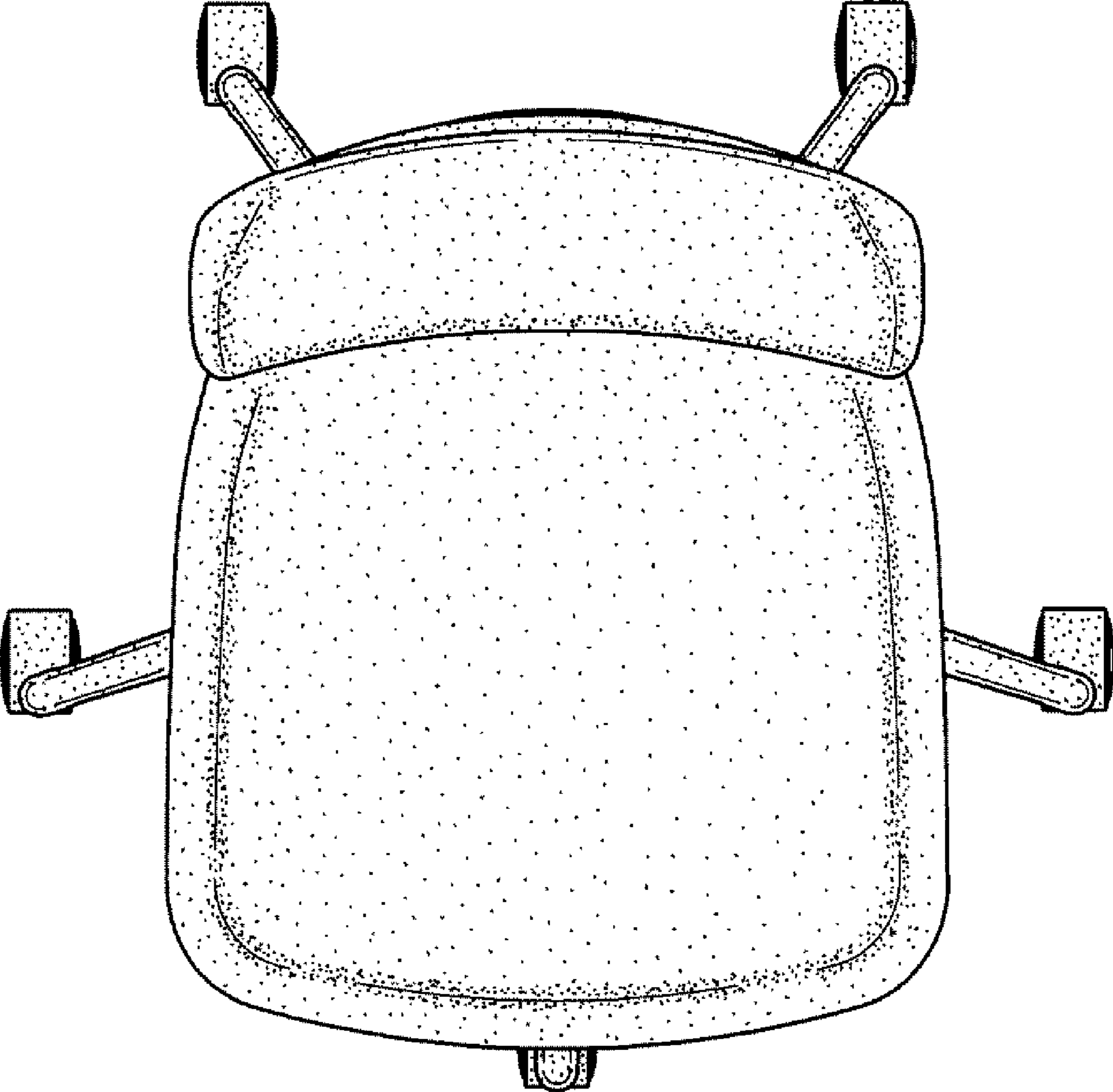


Fig. 13

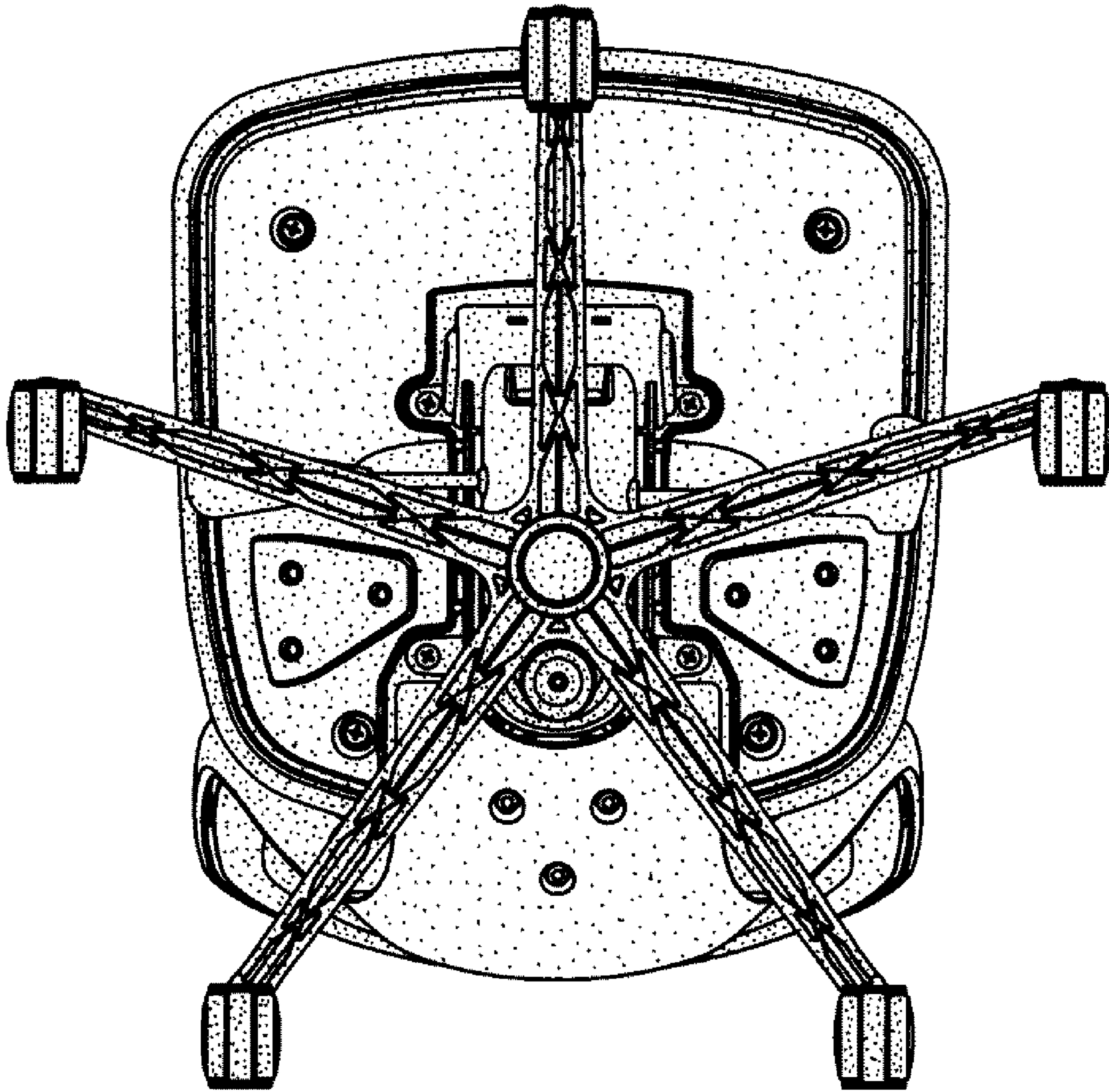


Fig. 14

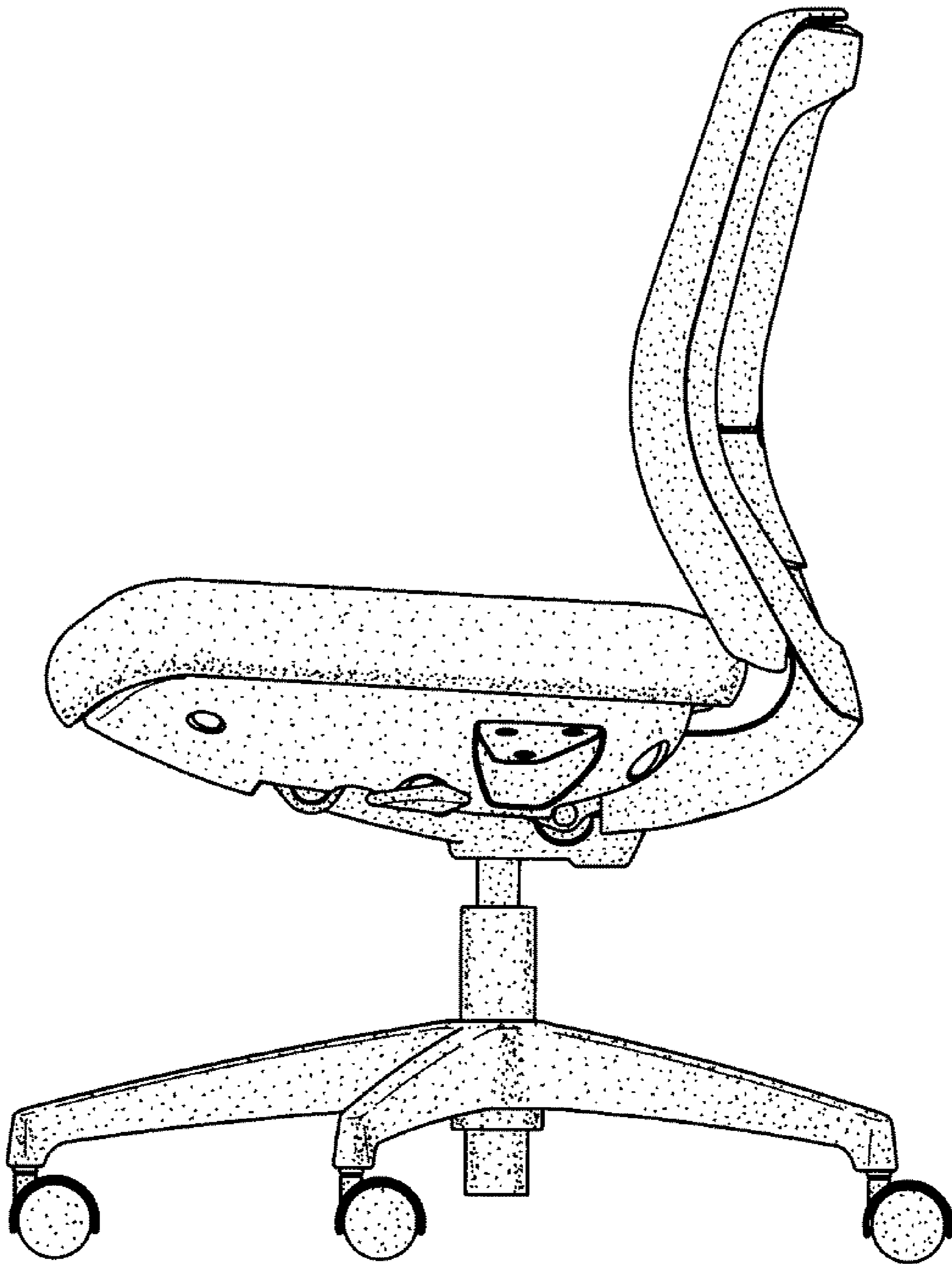


Fig. 15



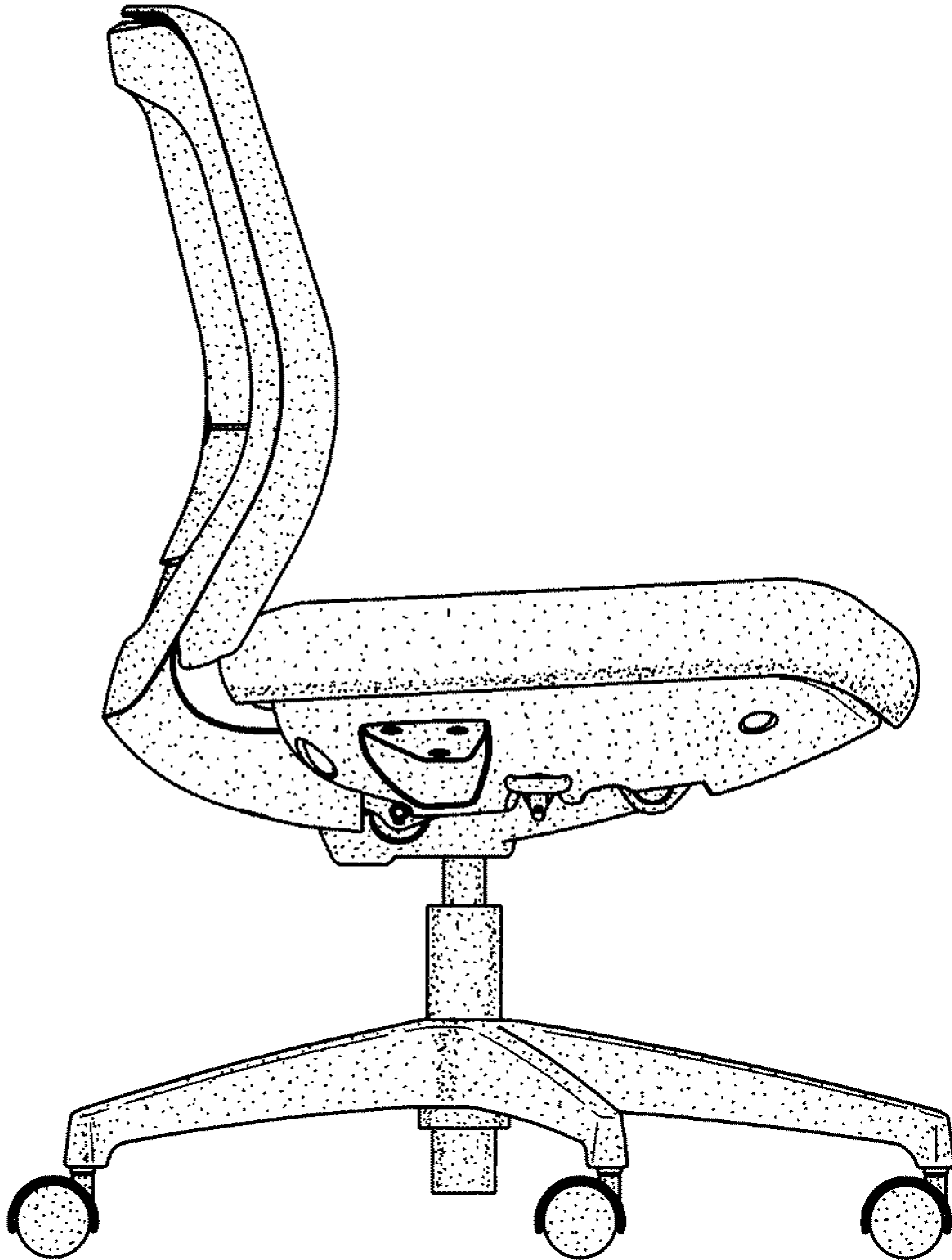


Fig. 16