

US00D597327S

(12) **United States Design Patent**
Vample

(10) **Patent No.:** **US D597,327 S**

(45) **Date of Patent:** **** Aug. 4, 2009**

(54) **HIGH HEEL STEP STOOL**

(76) **Inventor:** **Cheryl L. Vample**, 6652 Dasher Ct.,
Columbia, MD (US) 21045

(**) **Term:** **14 Years**

(21) **Appl. No.:** **29/290,216**

(22) **Filed:** **Nov. 6, 2007**

(51) **LOC (9) Cl.** **06-01**

(52) **U.S. Cl.** **D6/350**

(58) **Field of Classification Search** D6/330,
D6/335-338, 340, 349-355, 358, 359, 364,
D6/366, 376, 491, 495, 500-502; 297/16.1,
297/39, 46, 135, 140, 156, 158.3, 158.4,
297/175, 177, 187, 195.1, 195.11, 211, 245,
297/423.1, 423.16, 445.1, 461, 462

See application file for complete search history.

(56) **References Cited**

U.S. PATENT DOCUMENTS

D85,502 S *	11/1931	Wilhelm	D6/450
D150,537 S	8/1948	Barrile		
D158,429 S *	5/1950	Adkins	D6/358
D161,792 S *	1/1951	Schilling	D6/335
D169,461 S *	4/1953	Tilley	D25/65
D170,471 S *	9/1953	Meagher	D6/335
D193,241 S *	7/1962	Goldman et al.	D6/335

D234,652 S *	4/1975	Schug	D6/335
D271,549 S *	11/1983	Bowsher	D6/316
D285,266 S *	8/1986	Bowsher	D6/412
D296,622 S *	7/1988	Bickford	D6/351
D354,174 S *	1/1995	Collins et al.	D6/358
D354,175 S *	1/1995	Fein	D6/358
D489,519 S *	5/2004	Hisamatsu	D2/950
D519,289 S	4/2006	Black-Perkins		

* cited by examiner

Primary Examiner—Sandra Snapp

(74) *Attorney, Agent, or Firm*—Richard C. Litman

(57) **CLAIM**

The ornamental design for a high heel step stool, as shown and described.

DESCRIPTION

FIG. 1 is a perspective view of a high heel step stool showing my new design;

FIG. 2 is a front elevational view thereof;

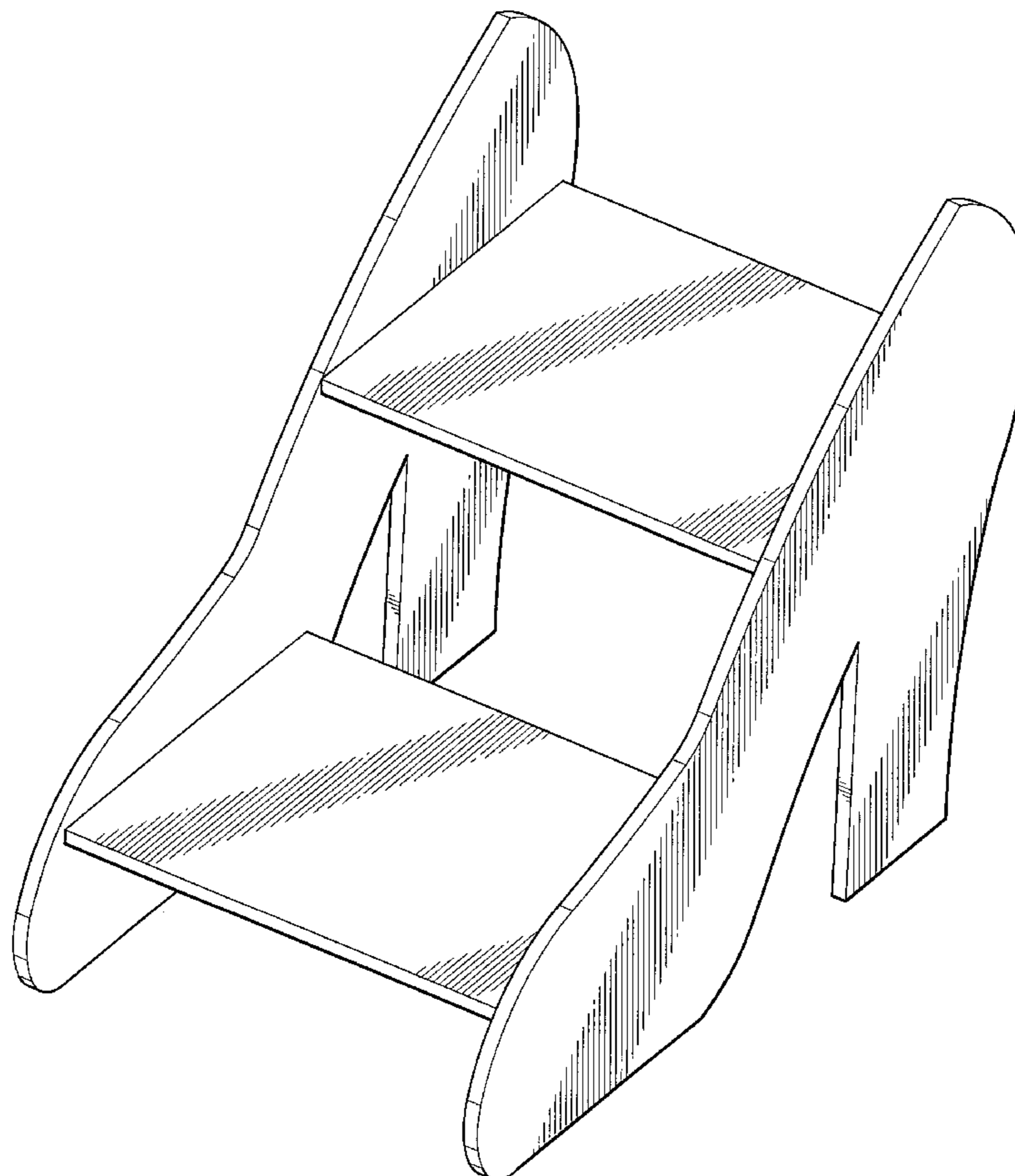
FIG. 3 is a rear elevational view thereof;

FIG. 4 is a right side elevational view with the left side being a mirror image thereof top view thereof;

FIG. 5 is a top plan view thereof; and,

FIG. 6 is a bottom plan view thereof.

1 Claim, 6 Drawing Sheets



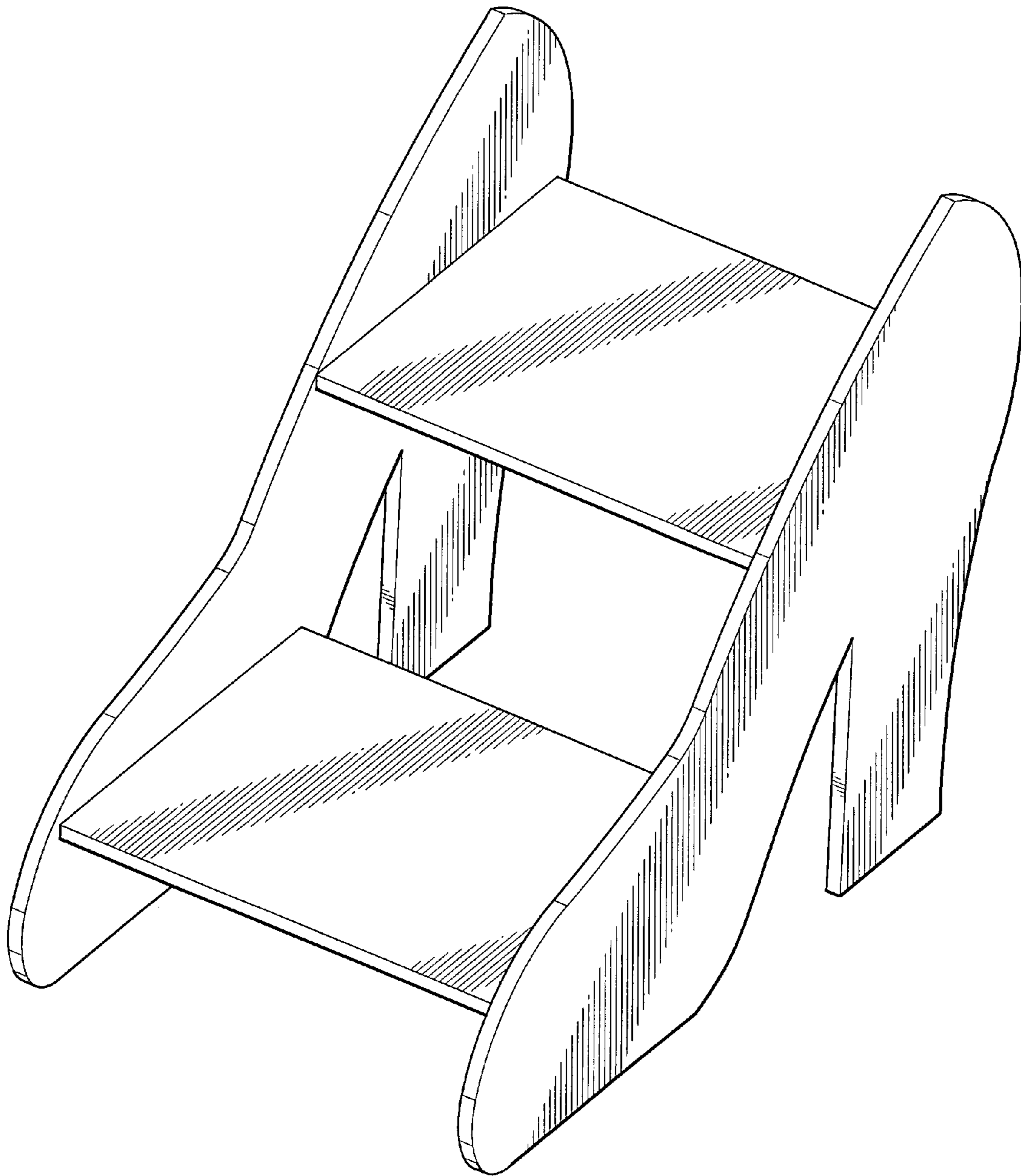


Fig. 1

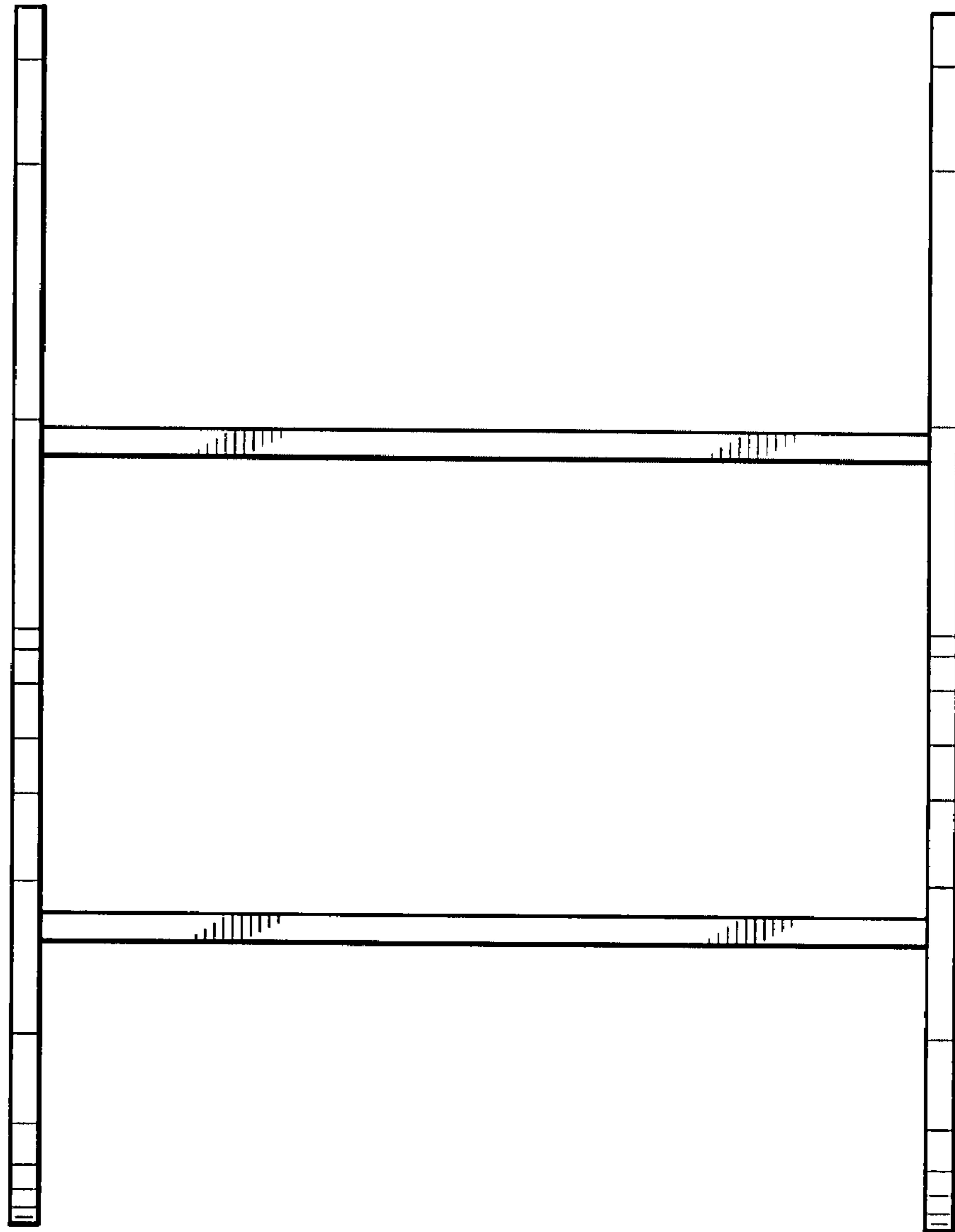


Fig. 2

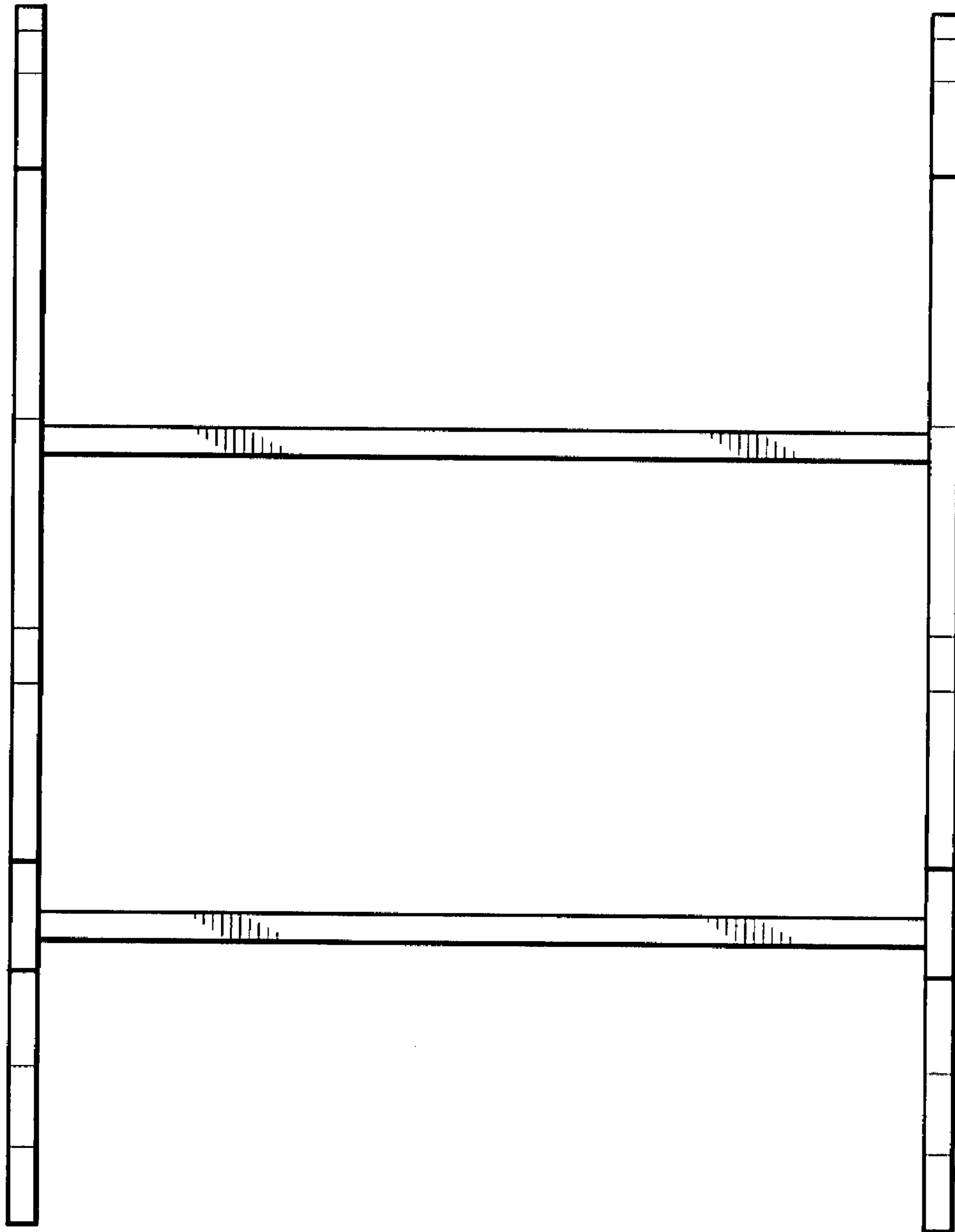


Fig. 3

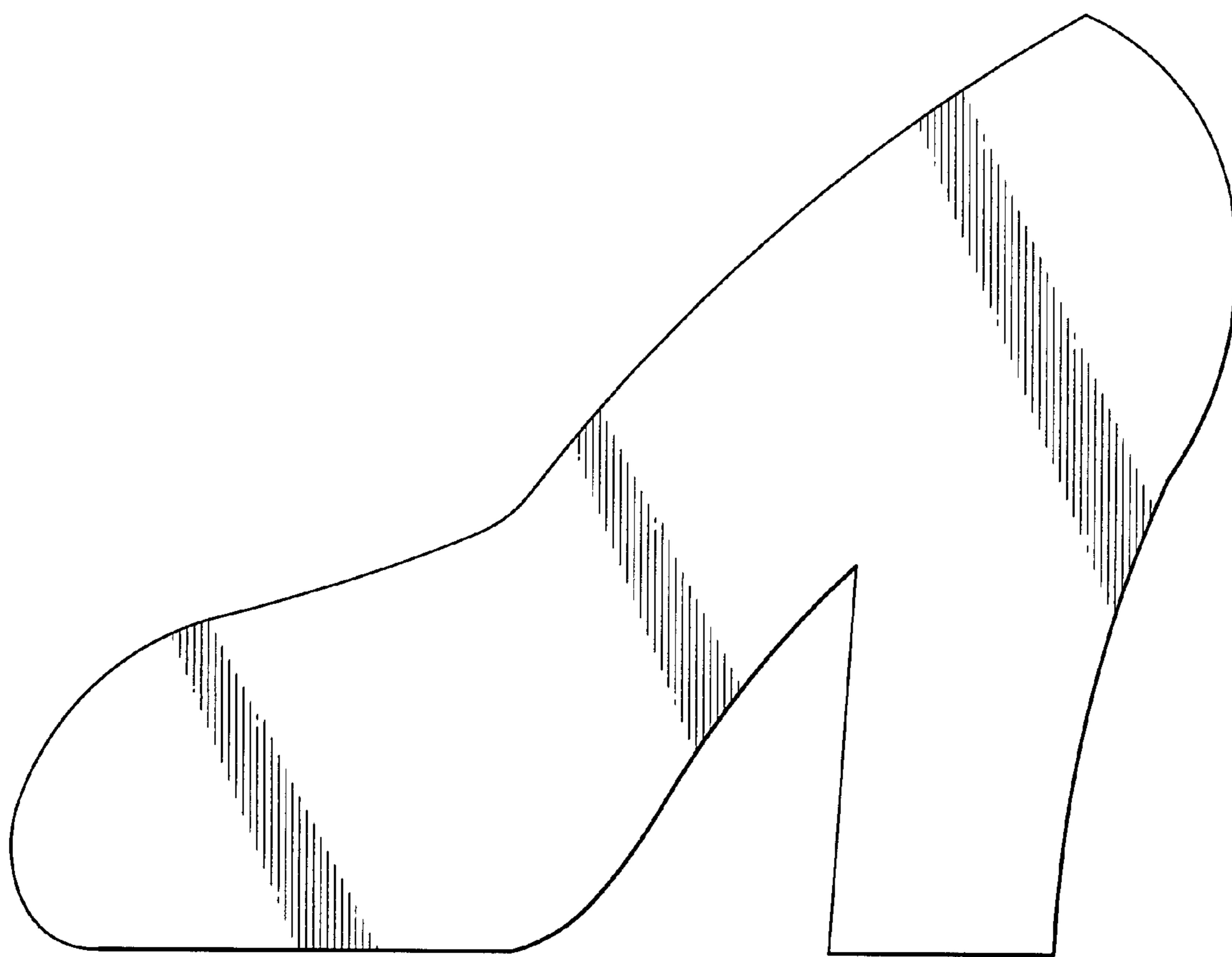


Fig. 4

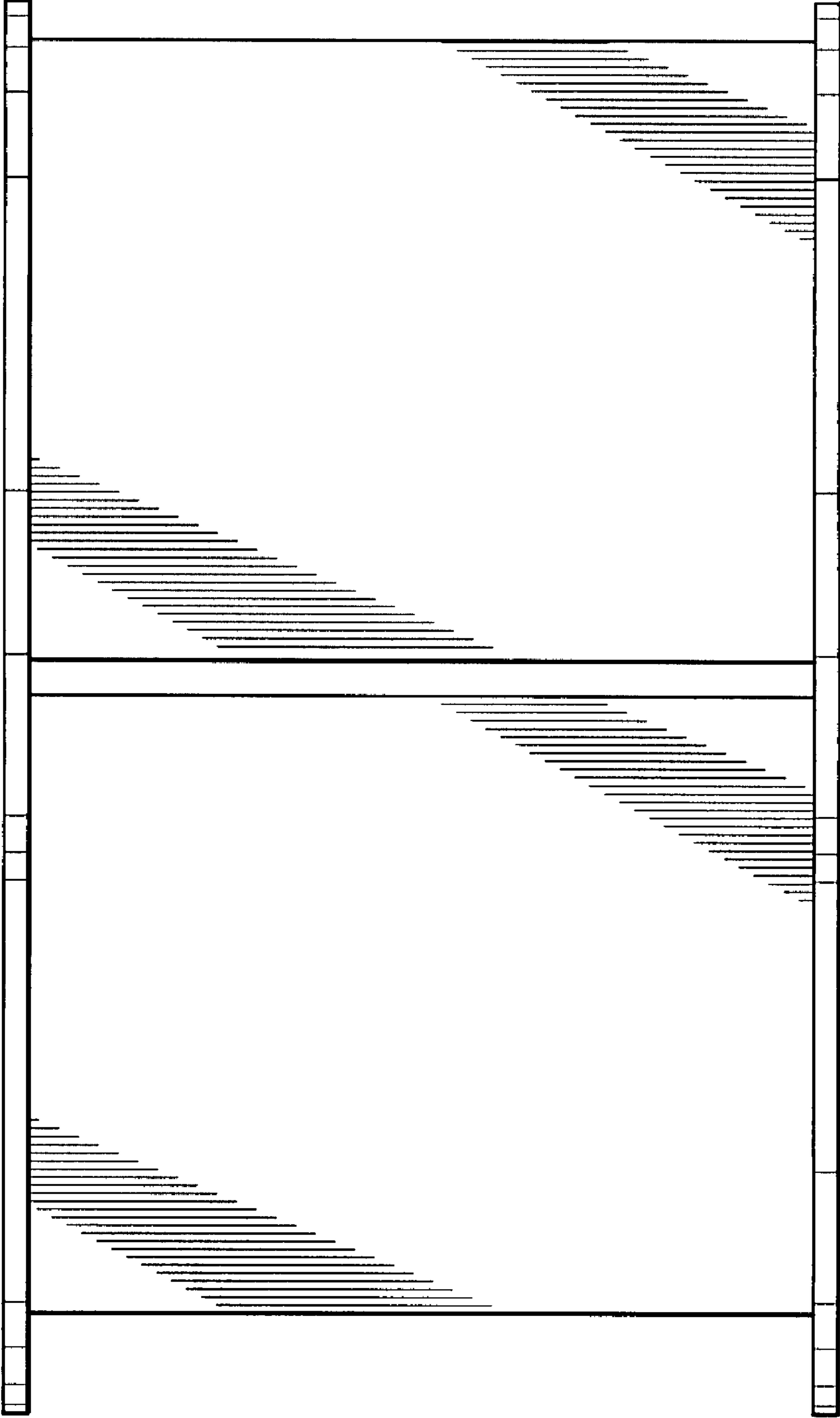


Fig. 5

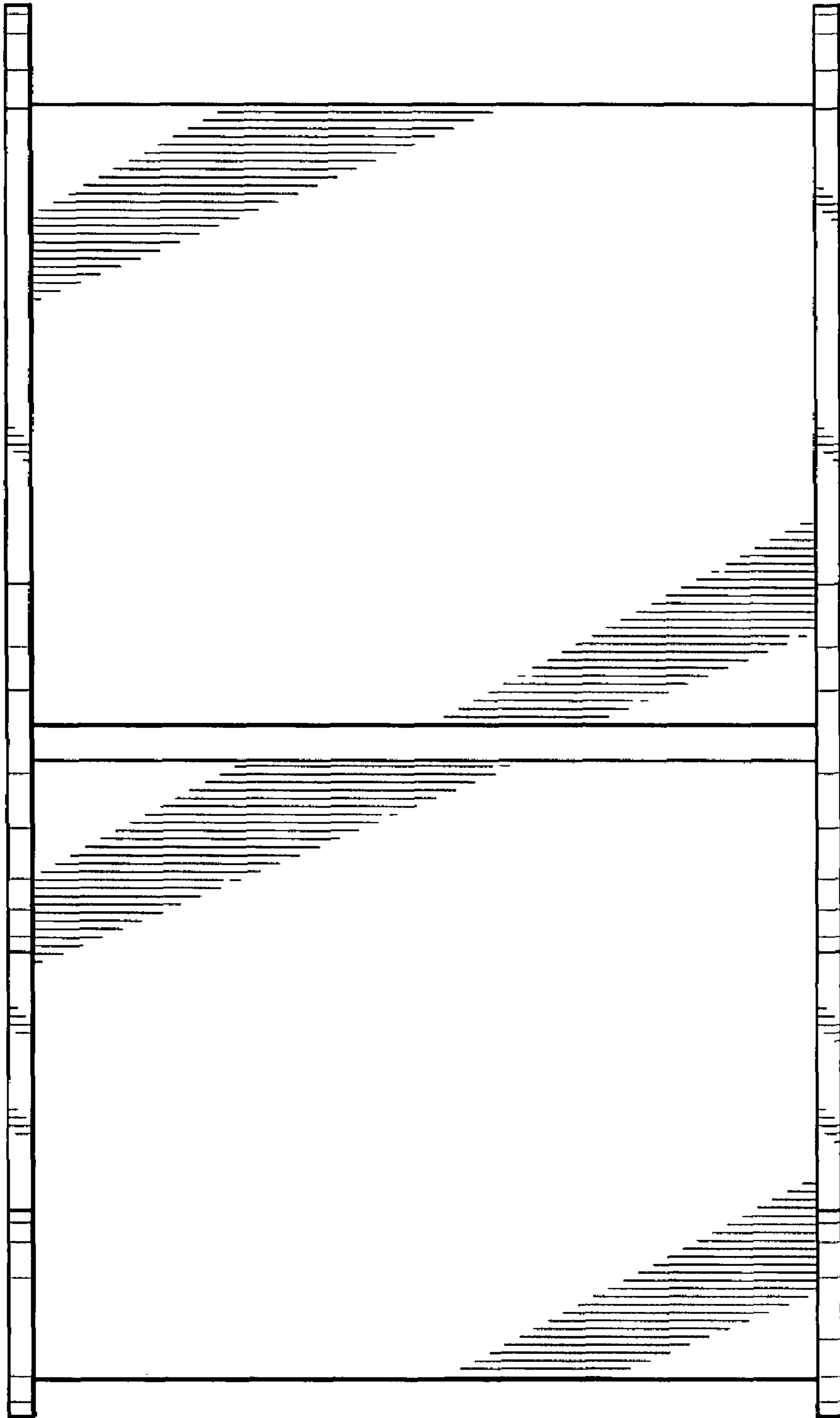


Fig. 6