



US00D597326S

(12) **United States Design Patent**
Boutin

(10) **Patent No.:** **US D597,326 S**
(45) **Date of Patent:** **** Aug. 4, 2009**

(54) **OTTOMAN**

(75) Inventor: **Christelle Boutin**, Bressuire (FR)

(73) Assignee: **Wesco S.A.**, Cerizay (FR)

(**) Term: **14 Years**

(21) Appl. No.: **29/321,654**

(22) Filed: **Jul. 21, 2008**

(30) **Foreign Application Priority Data**

Jan. 22, 2008 (EM) 000865191-0007

(51) **LOC (9) Cl.** **06-01**

(52) **U.S. Cl.** **D6/349**

(58) **Field of Classification Search** D6/330,
D6/335-338, 340, 349-355, 358, 359, 364,
D6/366, 376, 491, 495, 500-502; 297/16.1,
297/39, 46, 135, 140, 156, 158.3, 158.4,
297/175, 177, 187, 195.1, 195.11, 211, 245,
297/423.1, 423.16, 445.1, 461, 462

See application file for complete search history.

(56) **References Cited**

U.S. PATENT DOCUMENTS

D91,517 S * 2/1934 Ellis D6/352
3,536,359 A * 10/1970 Amos 297/462
4,232,477 A * 11/1980 Lin 446/71

D355,077 S * 2/1995 Tegner D6/334
D384,211 S * 9/1997 Wied et al. D6/351
D406,470 S * 3/1999 Lin D6/349
D406,480 S * 3/1999 Lin D6/486
D428,716 S * 8/2000 Larger D6/349
D473,079 S * 4/2003 Barry D6/486
D546,590 S * 7/2007 Frinier D6/486
D579,678 S * 11/2008 Auberger et al. D6/349
D581,703 S * 12/2008 Diekman D6/482
2005/0099051 A1 * 5/2005 Taylor 297/411.41

* cited by examiner

Primary Examiner—Sandra Snapp

(74) *Attorney, Agent, or Firm*—Westerman, Hattori, Daniels & Adrian, LLP.

(57) **CLAIM**

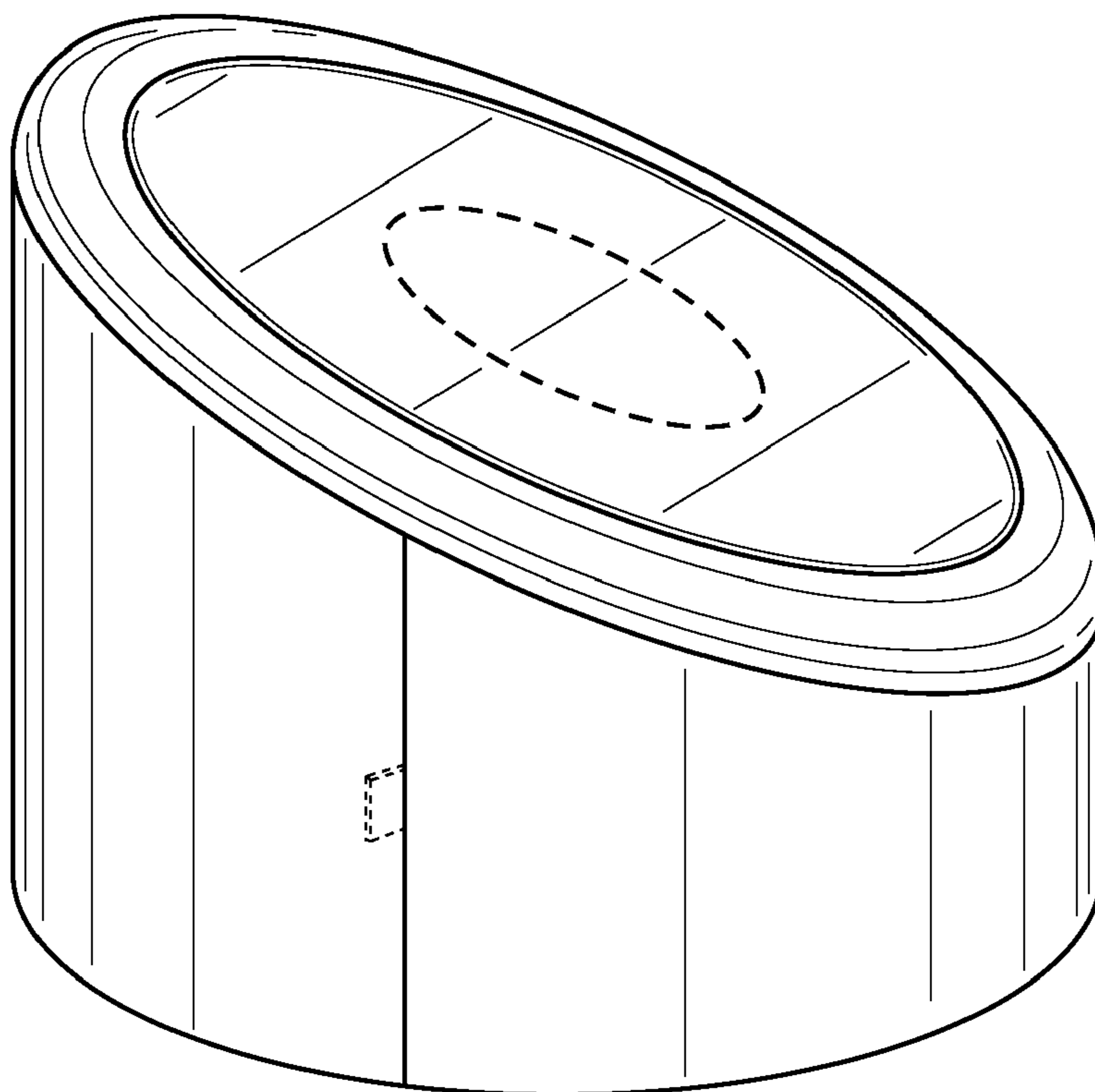
The ornamental design for ottoman, as shown and described.

DESCRIPTION

FIG. 1 represents a perspective view of the ottoman; and, FIGS. 2-7 represent left side, front, right side, back, bottom, and top views, respectively, of the ottoman.

The broken lines showing of a circle on the top surface is understood to represent stitching. The broken line showing of the label on the side surface and the zipper element on the bottom surface are for illustrative purposes only and form no part of the claimed design.

1 Claim, 4 Drawing Sheets



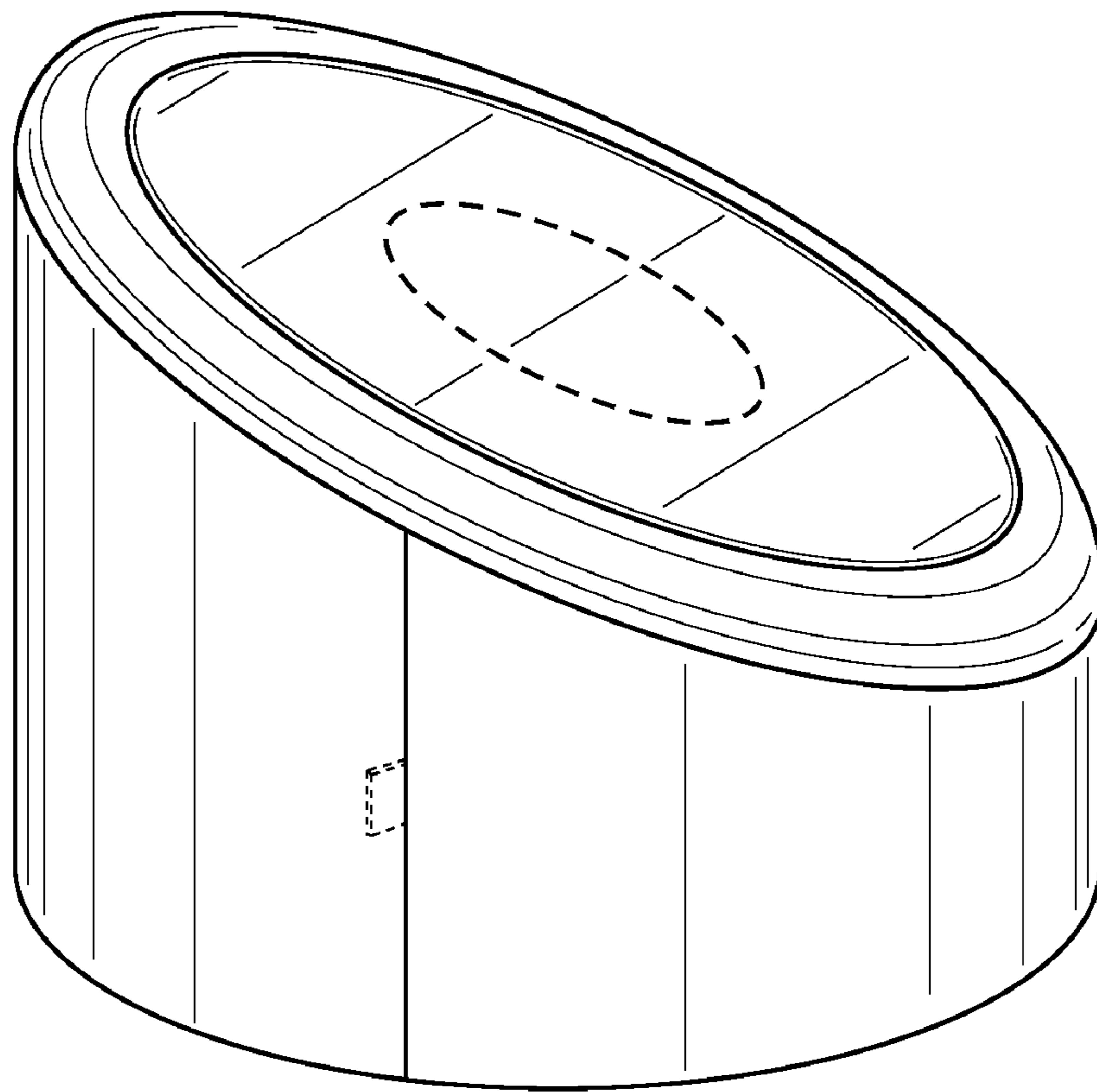


FIG. 1

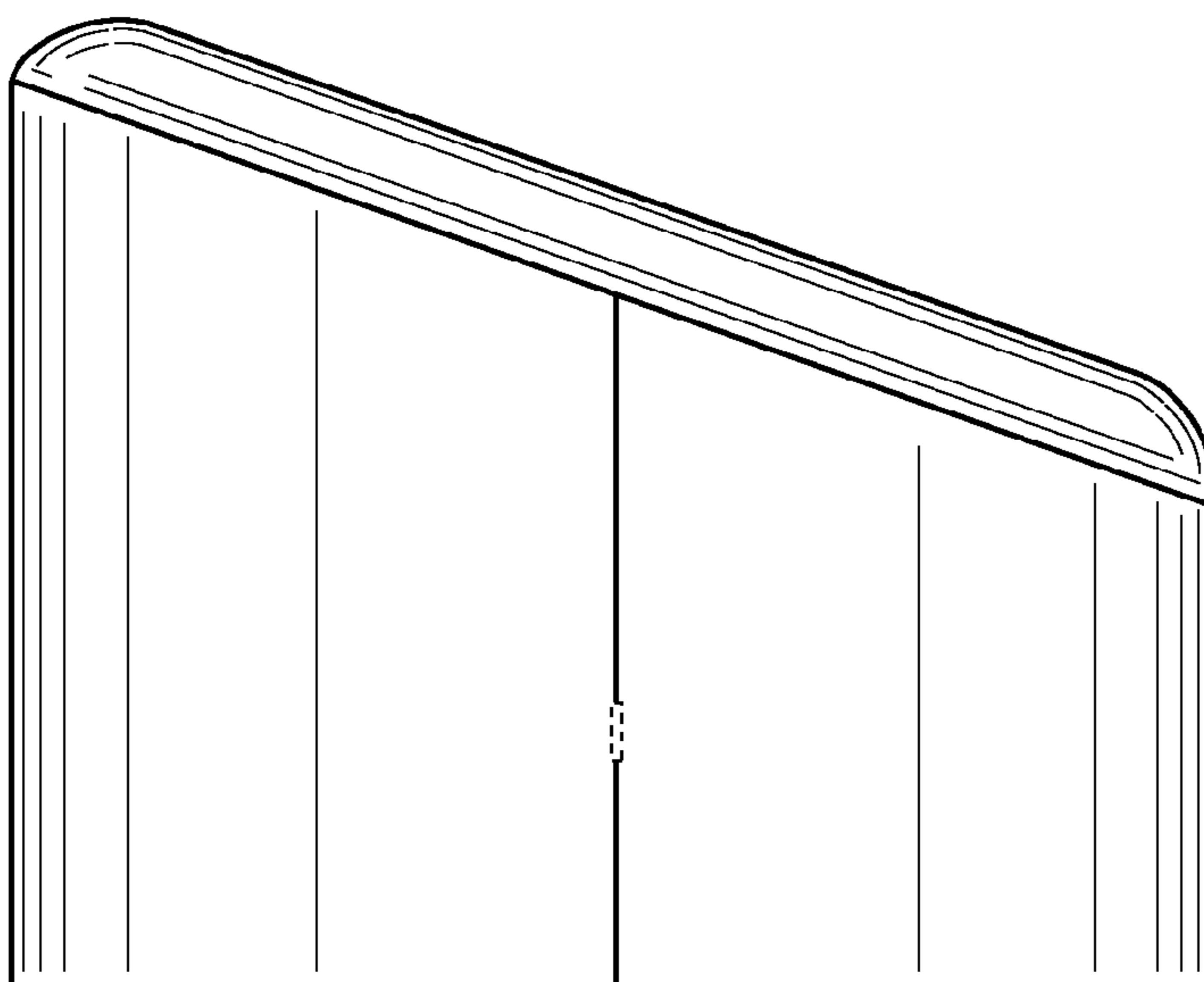


FIG. 2

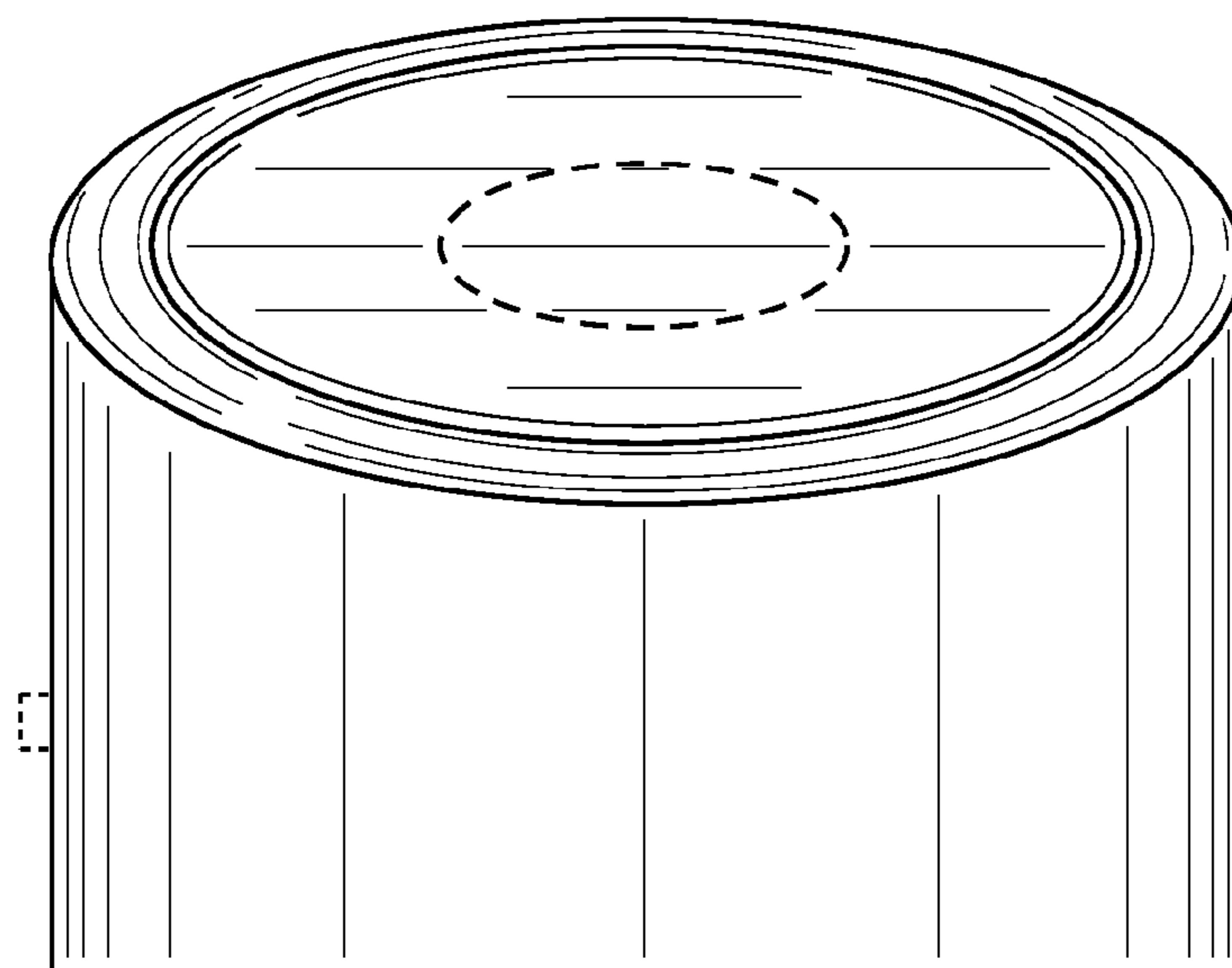


FIG. 3

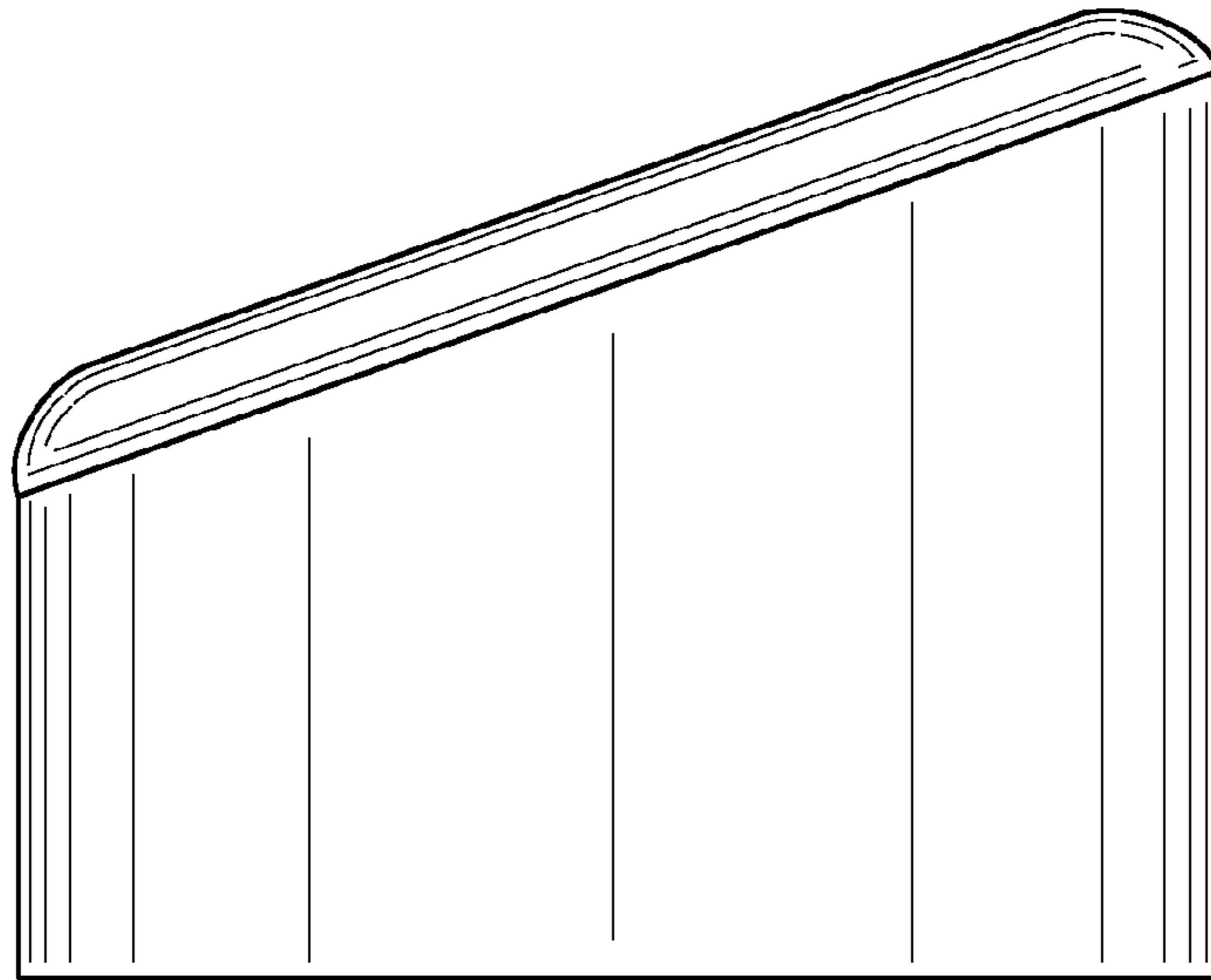


FIG. 4

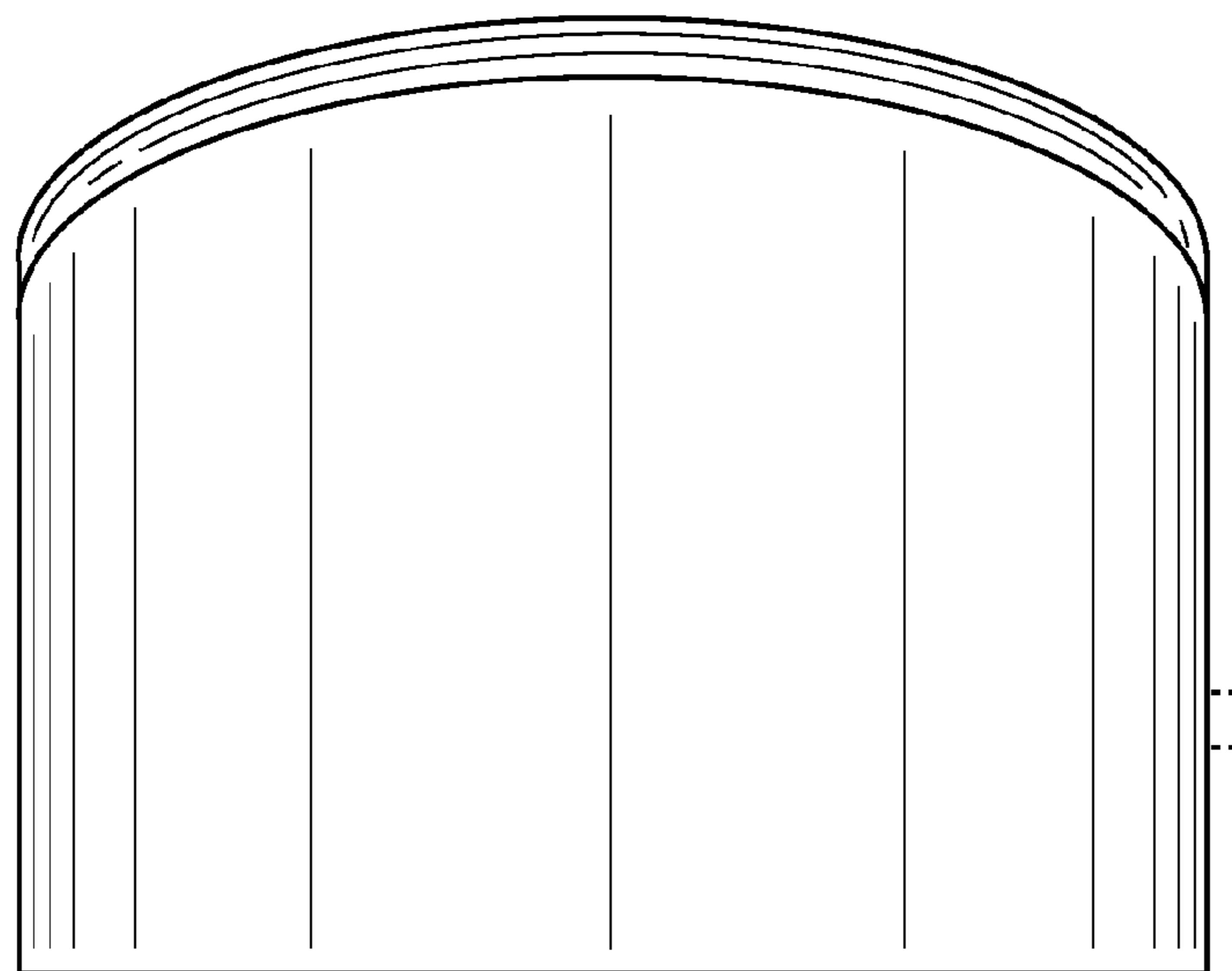


FIG. 5

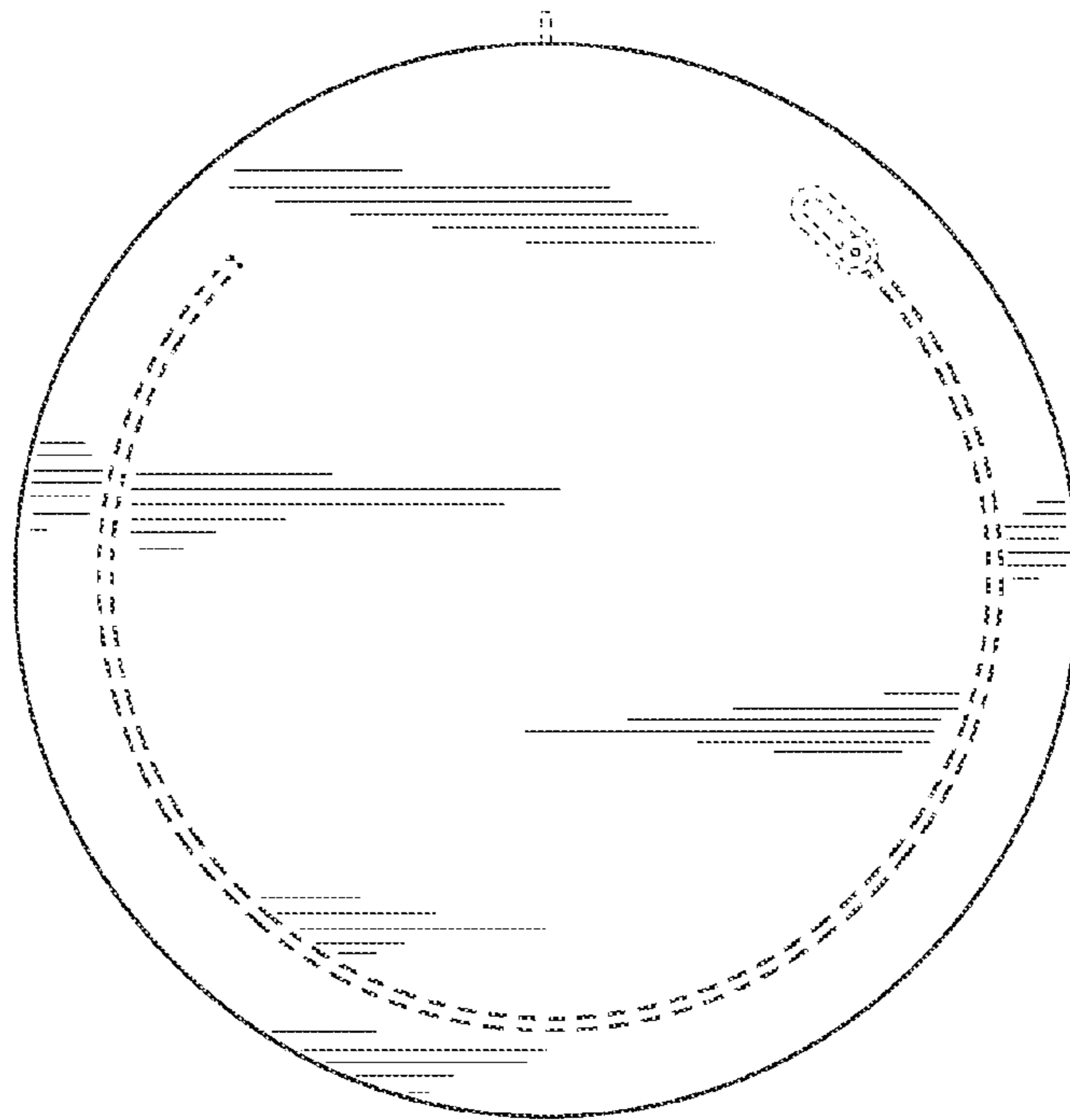


FIG. 6

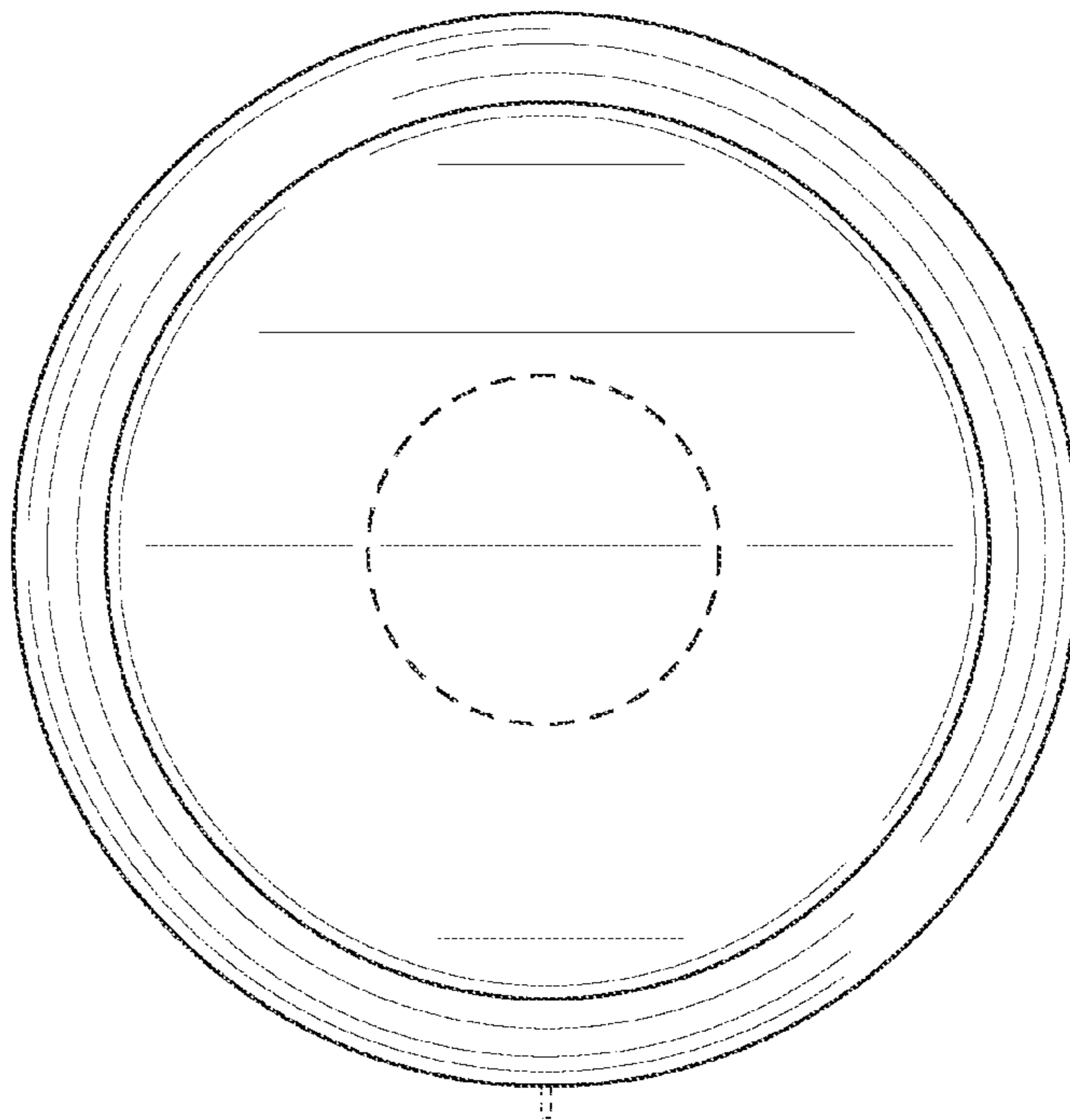


FIG. 7