



US00D597325S

(12) **United States Design Patent**
Lee

(10) **Patent No.:** **US D597,325 S**
(45) **Date of Patent:** **** Aug. 4, 2009**

(54) **ROCKING CHAIR FRAME**

(76) Inventor: **L. Kam Lee**, 9320 Harwin Dr., Houston,
TX (US) 77036

(**) Term: **14 Years**

(21) Appl. No.: **29/327,666**

(22) Filed: **Nov. 11, 2008**

(51) **LOC (9) Cl.** **06-01**

(52) **U.S. Cl.** **D6/348**

(58) **Field of Classification Search** D6/334-336,
D6/344, 347, 348, 369, 370, 374, 376, 379,
D6/380, 381, 499, 500-502; 297/272.1,
297/271.5, 271.6, 411.43, 440.15, 445.1,
297/446.1, 447.4, 452.18, 452.63, 452.64;
D21/412

See application file for complete search history.

(56) **References Cited**

U.S. PATENT DOCUMENTS

3,873,154	A	*	3/1975	Baker, Jr.	297/447.4
D252,238	S	*	7/1979	Van Sant	D6/379
D319,355	S	*	8/1991	Hess	D6/379
D333,577	S	*	3/1993	Danko	D6/380
D349,411	S	*	8/1994	Marriott et al.	D6/344
D352,611	S	*	11/1994	Deardorff	D6/348
D426,080	S	*	6/2000	Hise, Jr.	D6/348
D459,597	S	*	7/2002	Calvey	D6/348
D522,763	S	*	6/2006	Hankins et al.	D6/348
D566,975	S	*	4/2008	Lee	D6/348
D578,314	S	*	10/2008	Kalaouze	D6/348
D580,197	S	*	11/2008	Lee	D6/500

D581,175 S * 11/2008 Lee D6/347

* cited by examiner

Primary Examiner—Mimosa De

(74) *Attorney, Agent, or Firm*—Egbert Law Offices PLLC

(57) **CLAIM**

The ornamental design for a rocking chair frame, as shown and described.

DESCRIPTION

FIG. 1 is an upper perspective view of the rocking chair frame showing my design.

FIG. 2 is a front view thereof;

FIG. 3 is a back view thereof;

FIG. 4 is a side view thereof;

FIG. 5 is an opposite side view thereof;

FIG. 6 is top view thereof;

FIG. 7 is a bottom view thereof;

FIG. 8 is another upper perspective view of a second embodiment, the difference being a matter of length; and,

FIG. 9 is another upper perspective view thereof, showing attachment to a seat back and seat panel in broken lines.

The rocking chair is a piece of furniture for sitting. The chair in this design is a rocking chair. The embodiments have the same design features, the differences between embodiments being a matter of length. The elements shown in broken lines are presented for illustrative purposes only and form no part of the claimed design.

1 Claim, 3 Drawing Sheets

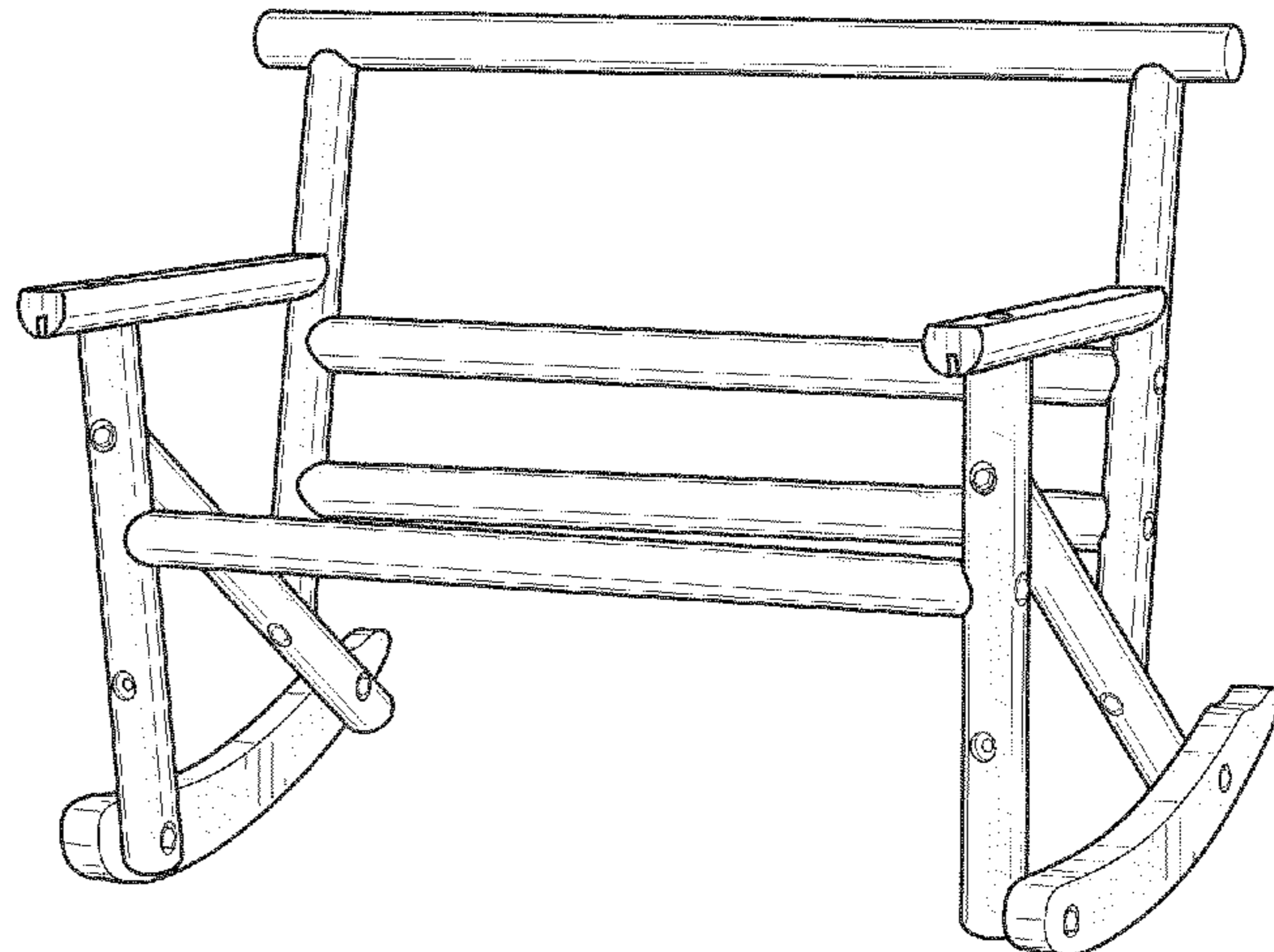
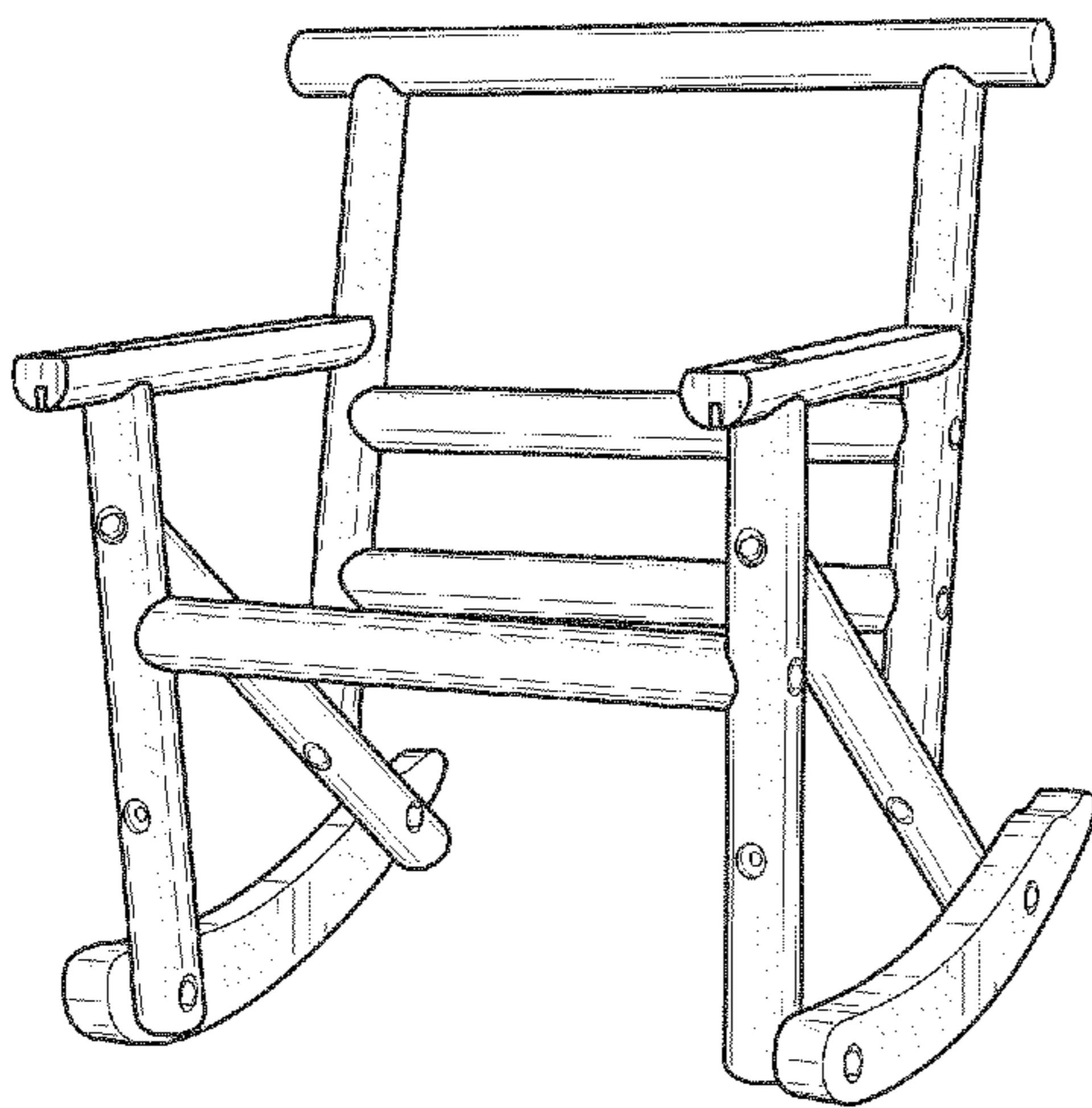


FIG. 1

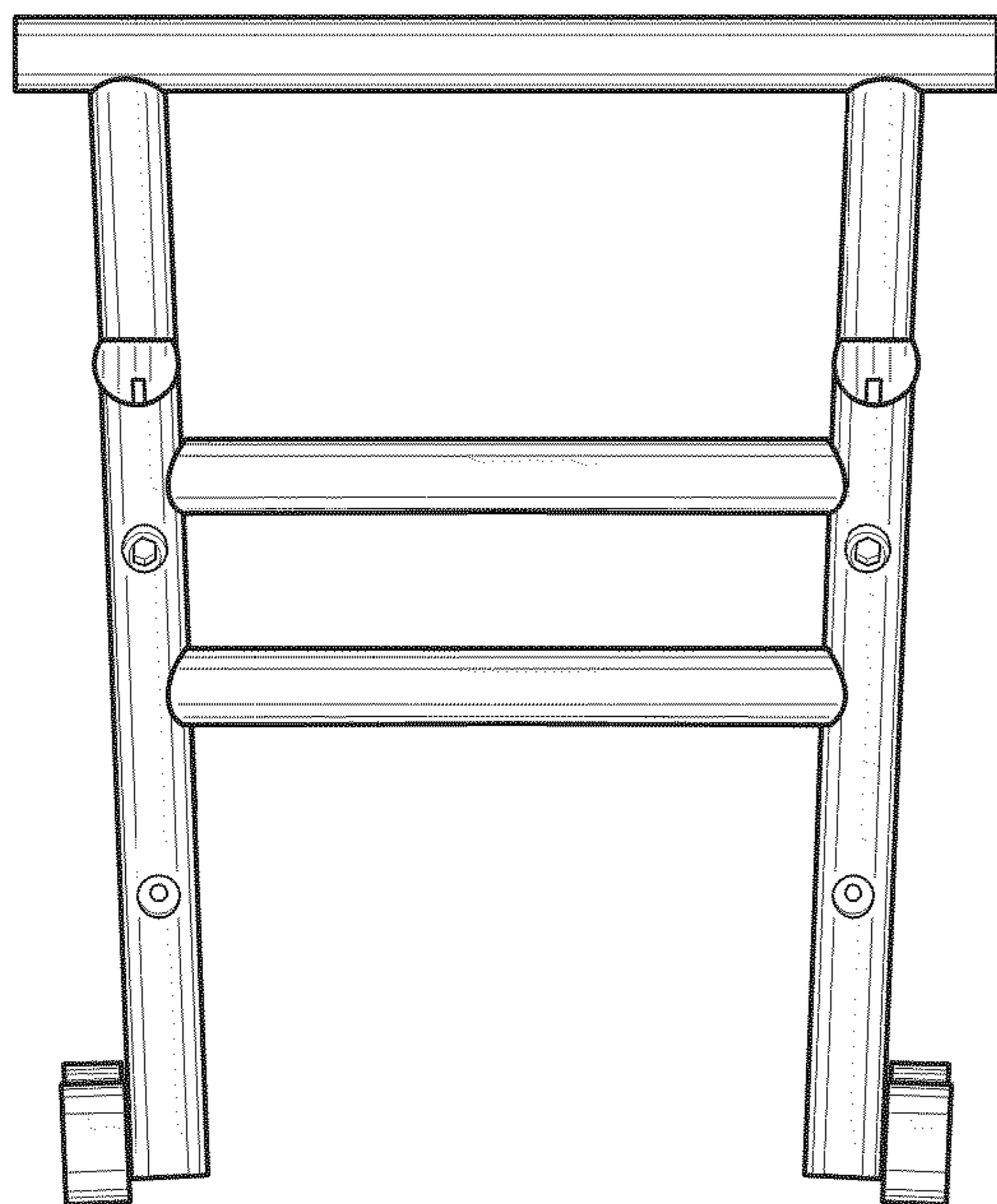
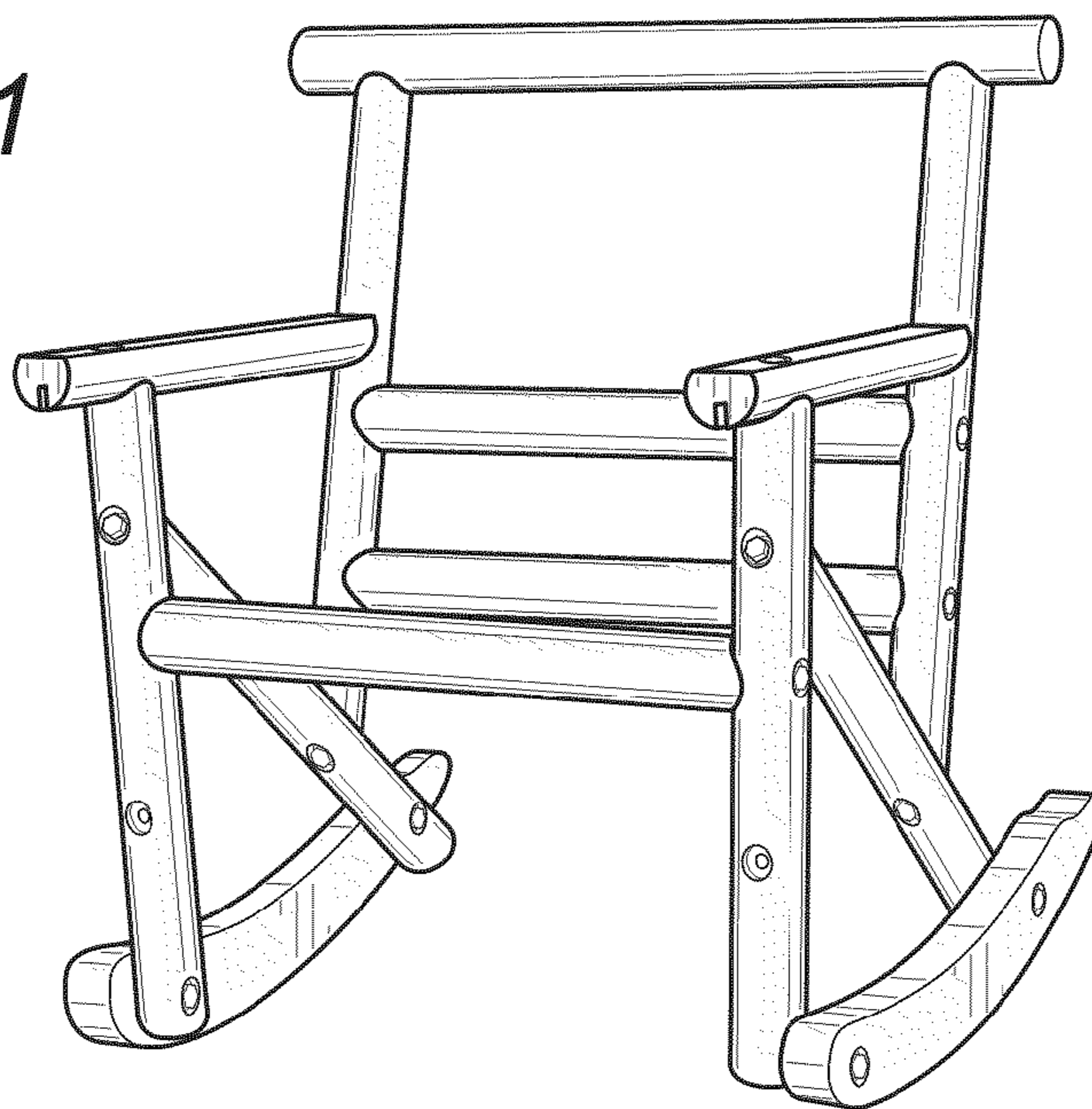


FIG. 2

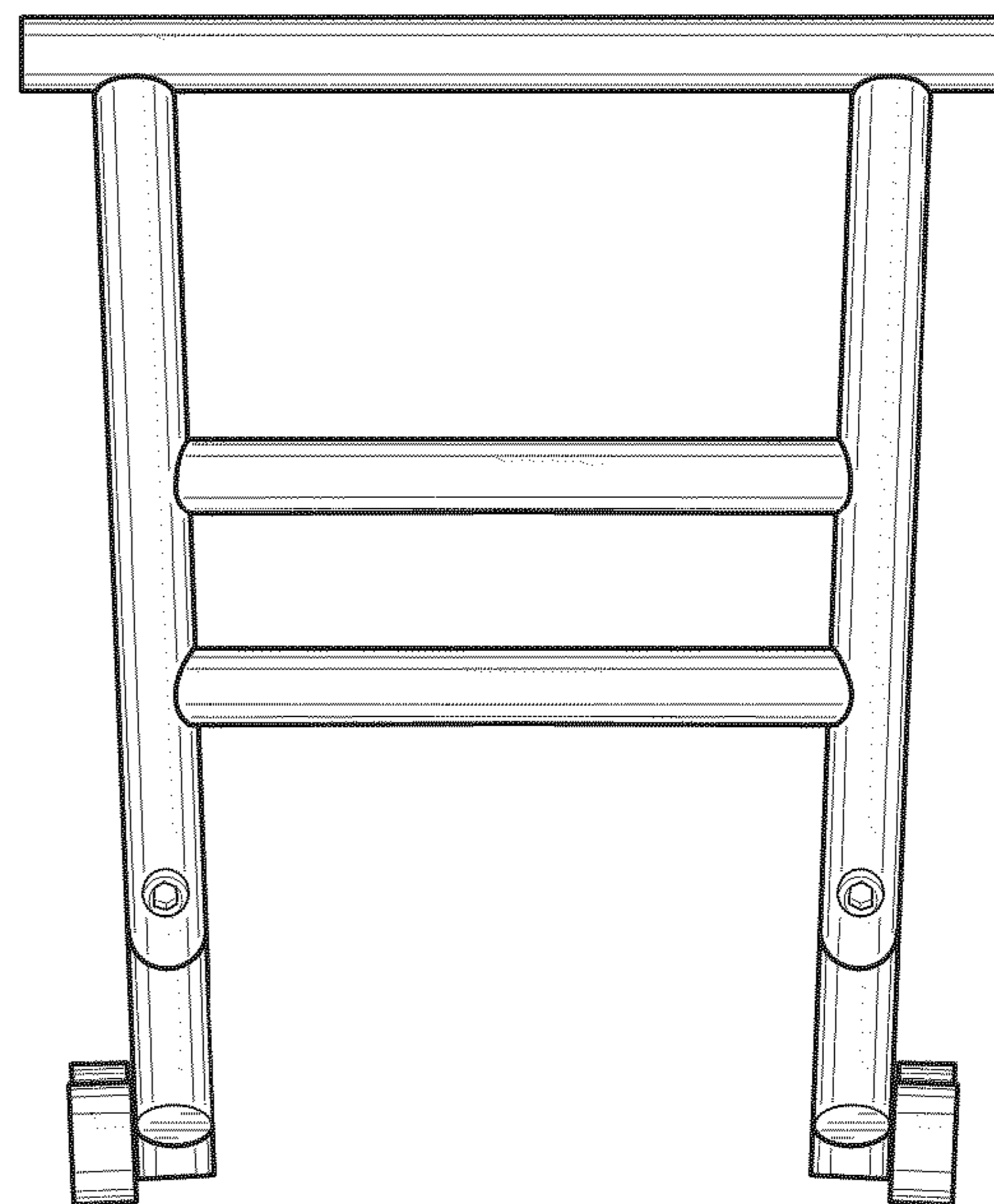


FIG. 3

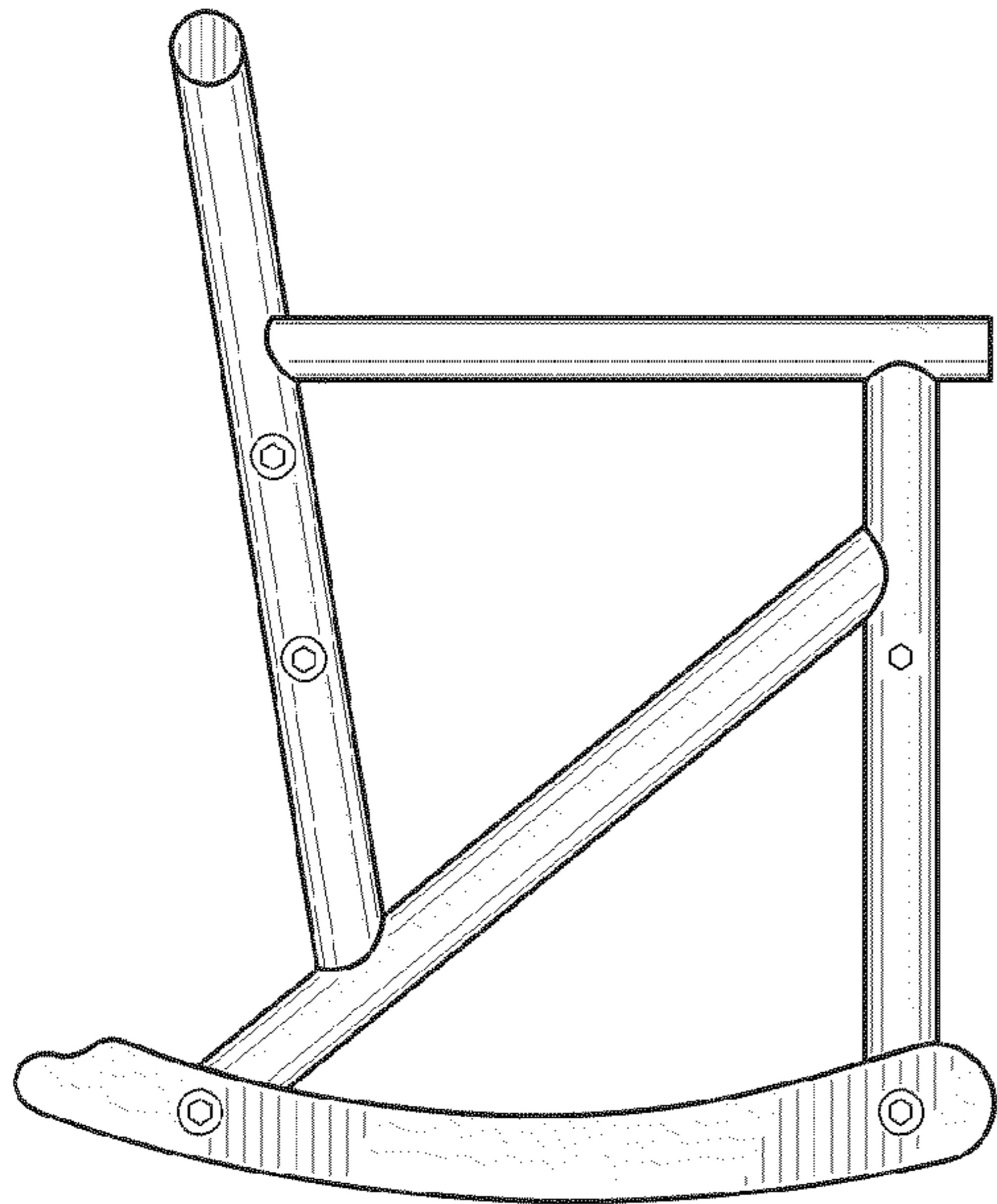


FIG. 4

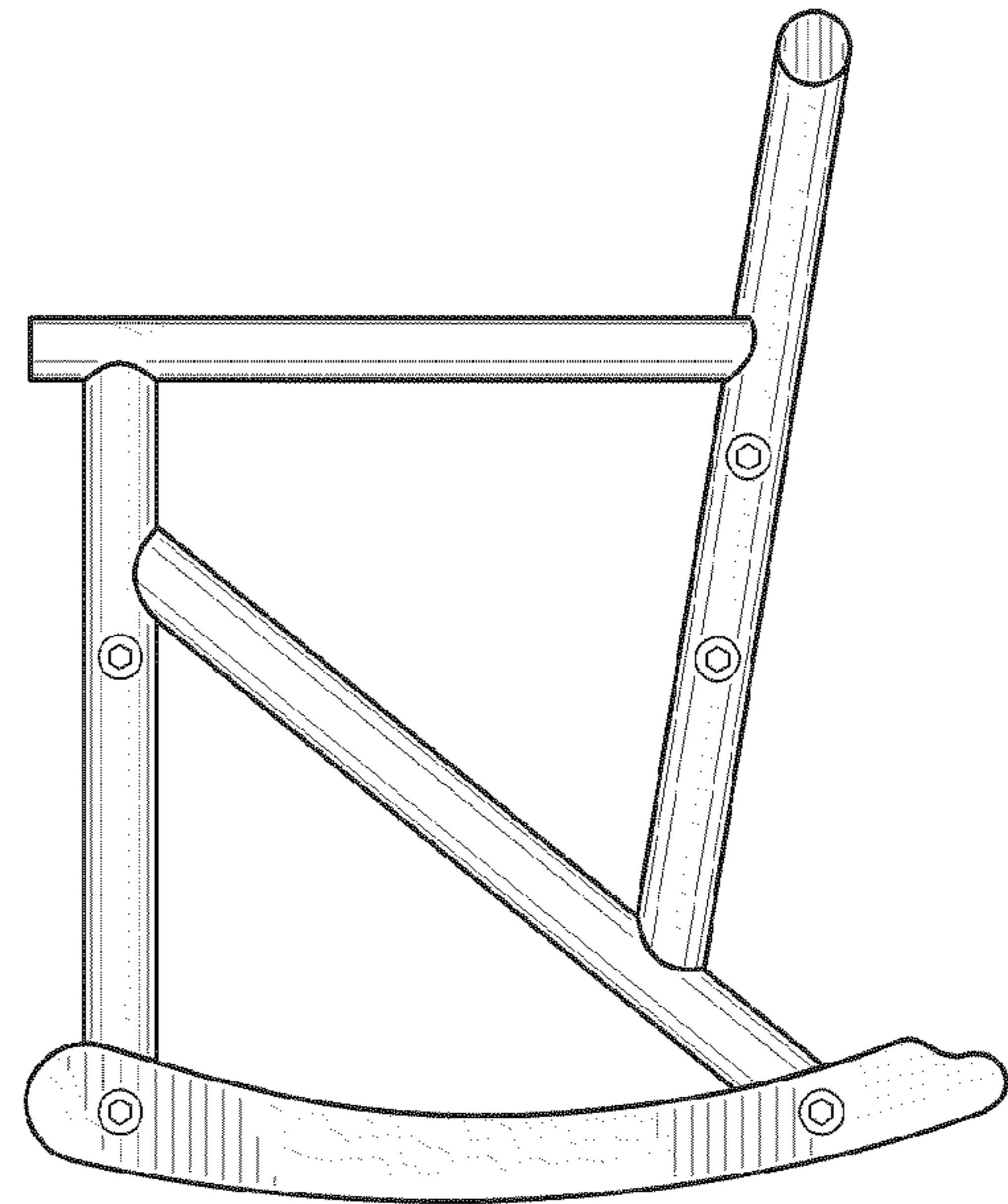


FIG. 5

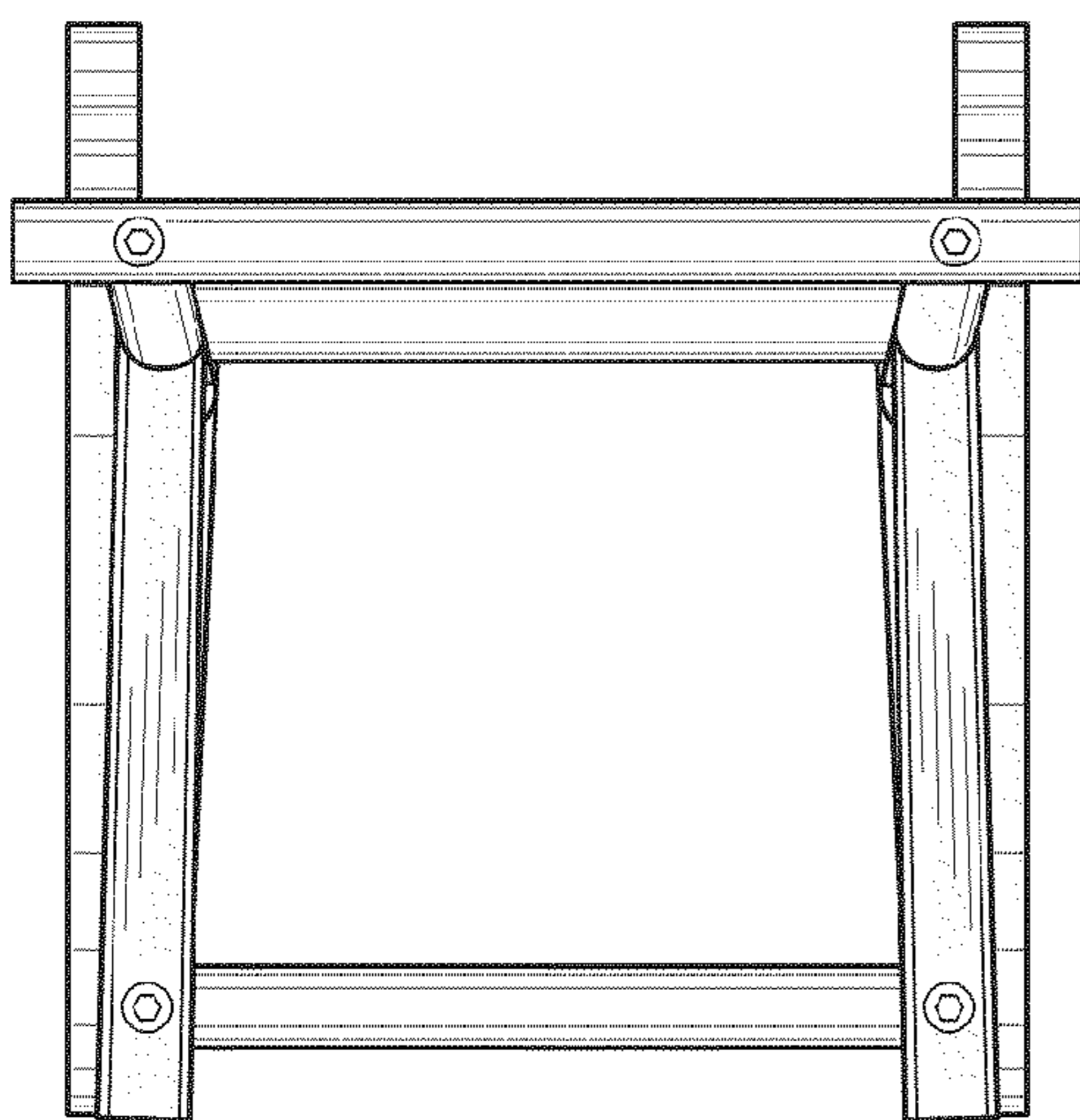


FIG. 6

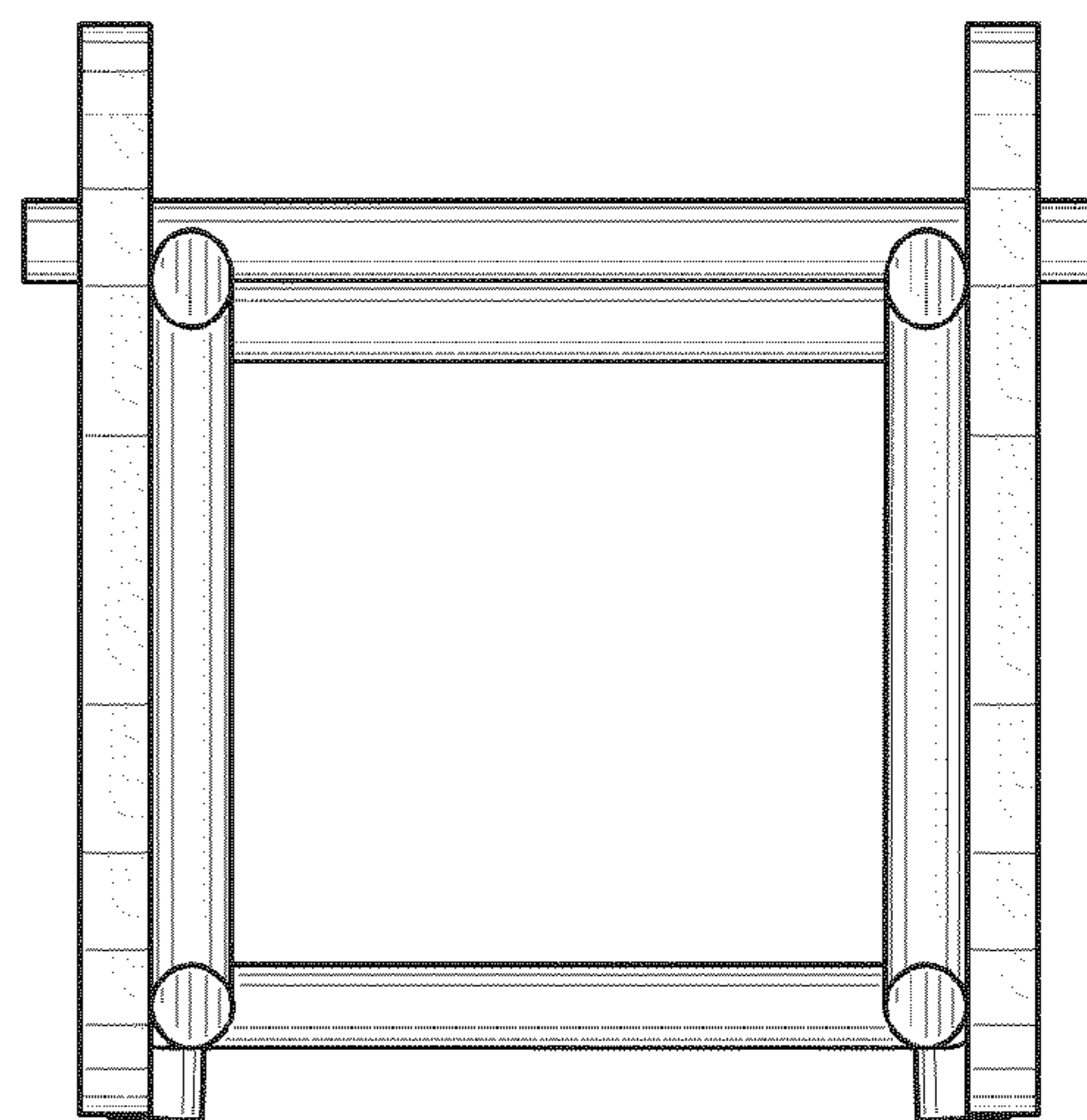


FIG. 7

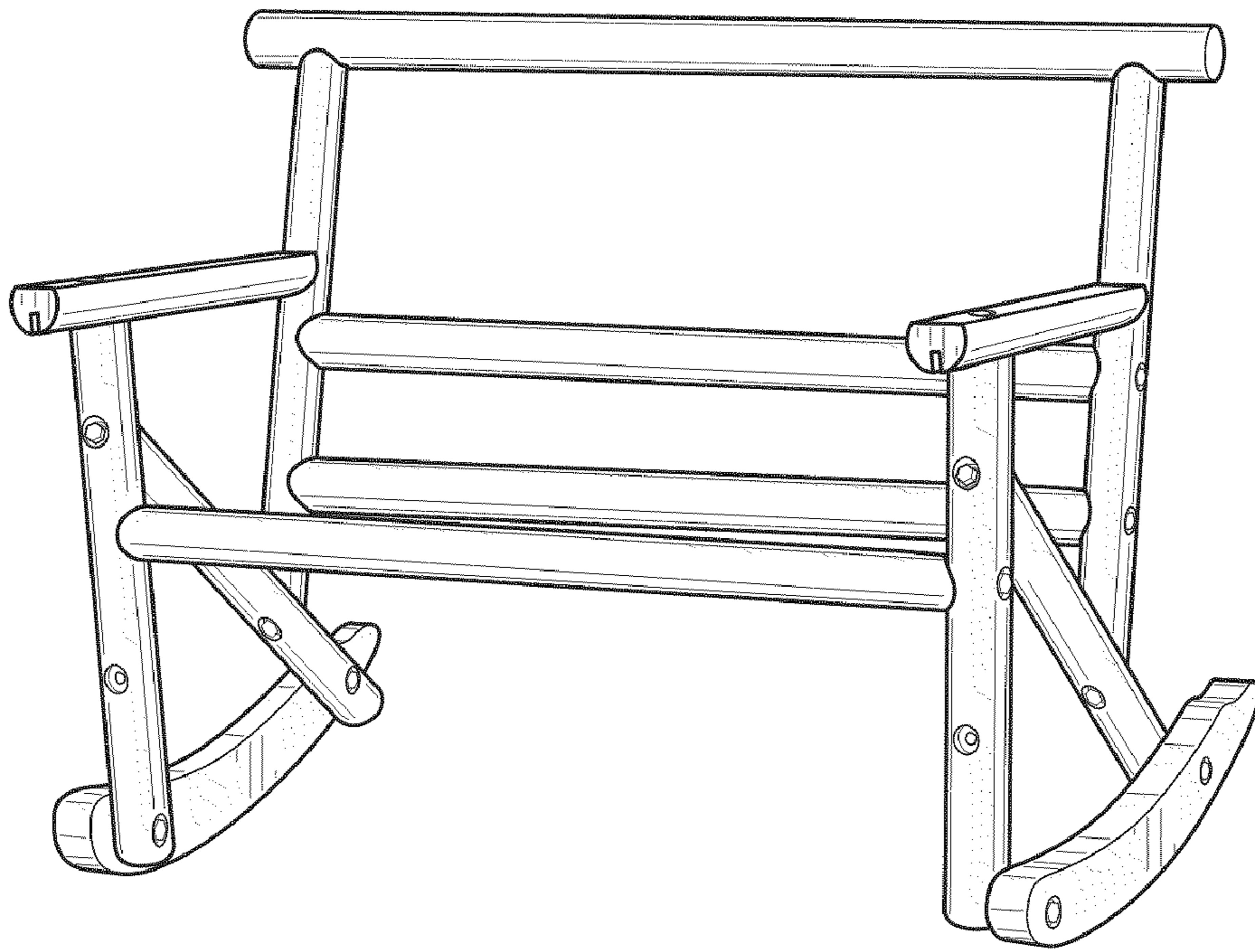


FIG. 8

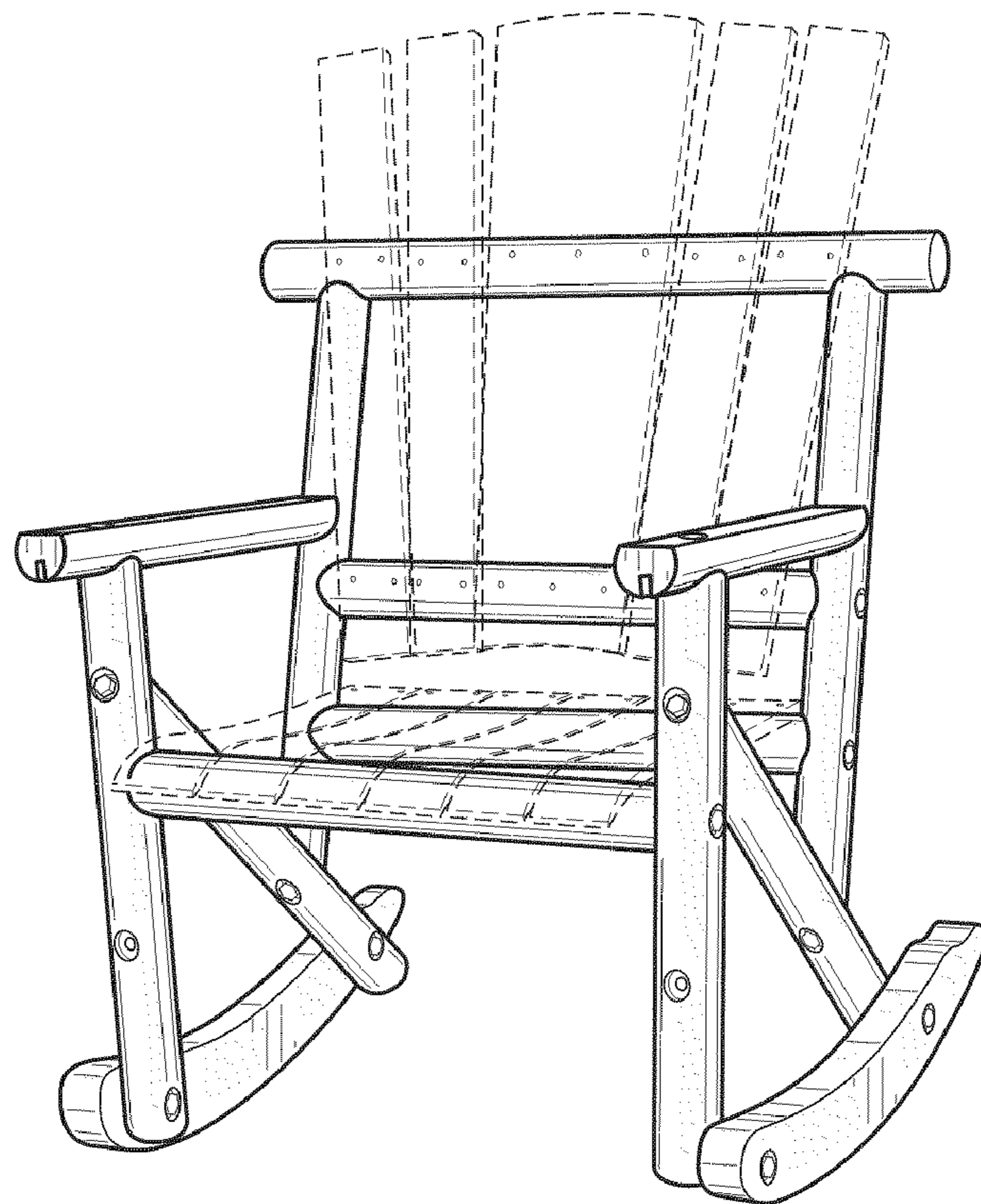


FIG. 9