



US00D597320S

(12) **United States Design Patent**
Caine et al.

(10) **Patent No.:** **US D597,320 S**
(45) **Date of Patent:** **** Aug. 4, 2009**

(54) **DIGITAL PICTURE FRAME**

(75) Inventors: **Michael E. Caine**, Needham, MA (US);
Matthew I. Growney, Concord, MA
(US); **Brent Koepfel**, Natick, MA (US);
Louis F. Genatossio, Shrewsbury, MA
(US)

(73) Assignee: **Isabella Products, Inc.**, Concord, MA
(US)

(**) Term: **14 Years**

(21) Appl. No.: **29/325,492**

(22) Filed: **Oct. 1, 2008**

Related U.S. Application Data

(63) Continuation-in-part of application No. 12/221,789,
filed on Aug. 6, 2008, which is a continuation-in-part
of application No. 12/186,498, filed on Aug. 5, 2008.

(51) **LOC (9) Cl.** **06-07**

(52) **U.S. Cl.** **D6/308**

(58) **Field of Classification Search** D6/300-314;
D14/371-380, 129, 132, 336; 386/125; 348/180,
348/184, 739

See application file for complete search history.

(56) **References Cited**

U.S. PATENT DOCUMENTS

- D310,919 S * 10/1990 Sakai D6/311
- D355,170 S * 2/1995 Mizusugi et al. D14/336
- D364,857 S * 12/1995 Chou D14/375
- D439,901 S * 4/2001 Ono et al. D14/375
- D490,810 S * 6/2004 Huang D14/374
- D524,312 S * 7/2006 Young D14/375
- D586,565 S * 2/2009 Ko et al. D6/308
- D587,709 S * 3/2009 Niitsu et al. D14/371

D587,712 S * 3/2009 Park et al. D14/375

* cited by examiner

Primary Examiner—Caron Veynar

Assistant Examiner—Sydney R Buffalow

(74) *Attorney, Agent, or Firm*—Nutter McClennen & Fish
LLP; David J. Powsner

(57) **CLAIM**

The ornamental design for a digital picture frame, as shown
and described.

DESCRIPTION

© 2008 Isabella Products, Inc. A portion of the disclosure of
this patent document contains material to which a claim for
copyright and trademark is made. The copyright and trade-
mark owner has no objection to the facsimile reproduction by
anyone of the patent document or the patent disclosure, as it
appears in the Patent and Trademark Office patent file or
records, but reserves all other copyright and trademark rights
whatsoever.

FIG. 1 is an isometric front view of a digital picture frame
showing our new design.

FIG. 2 is a back view of a digital picture frame showing our
new design.

FIG. 3 is a top view of a digital picture frame showing our new
design.

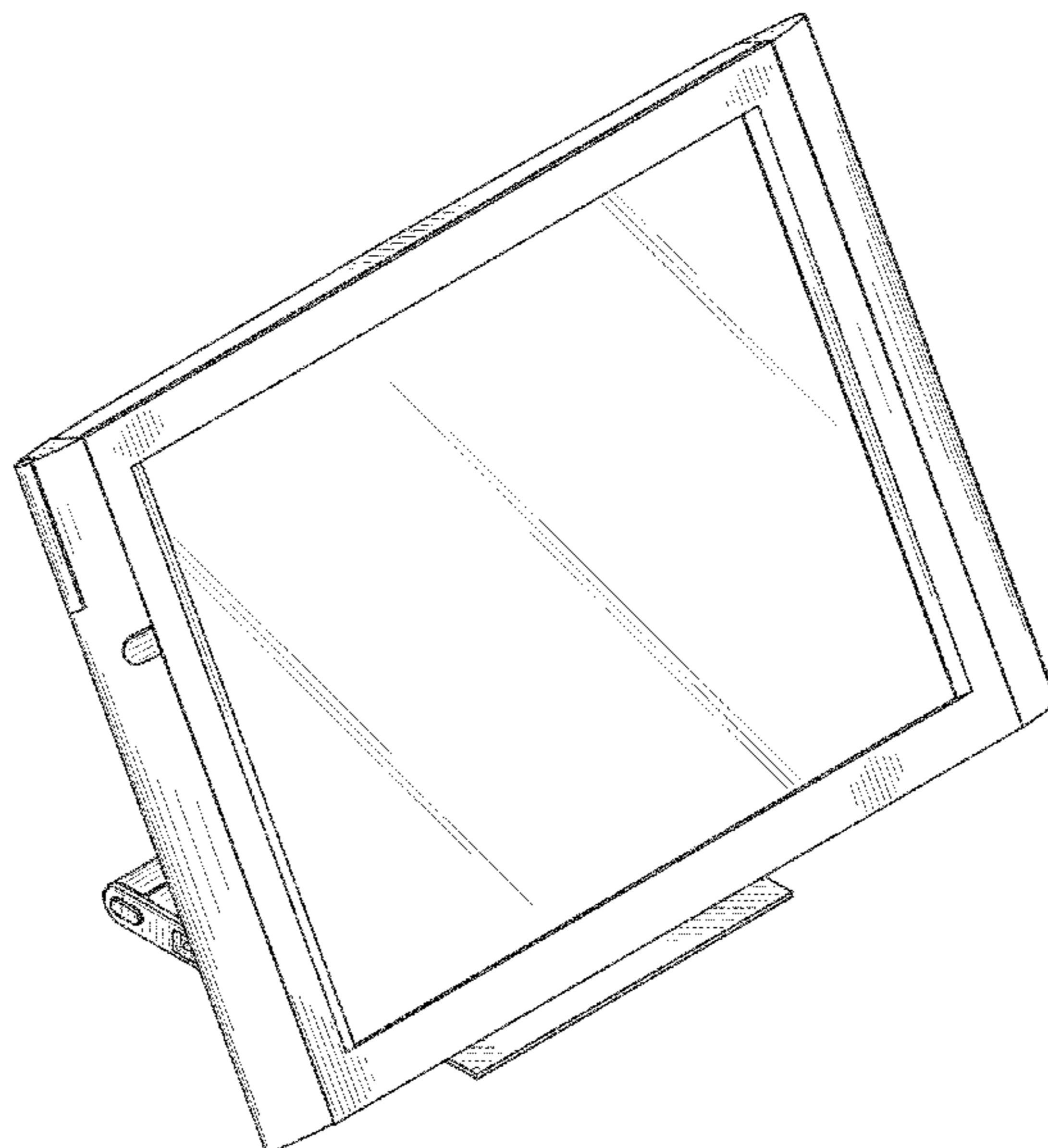
FIG. 4 is a front view of a digital picture frame showing our
new design.

FIG. 5 is a bottom view of a digital picture frame showing our
new design.

FIG. 6 is a left side view of a digital picture frame showing our
new design; and,

FIG. 7 is a right side view of a digital picture frame showing
our new design.

1 Claim, 4 Drawing Sheets



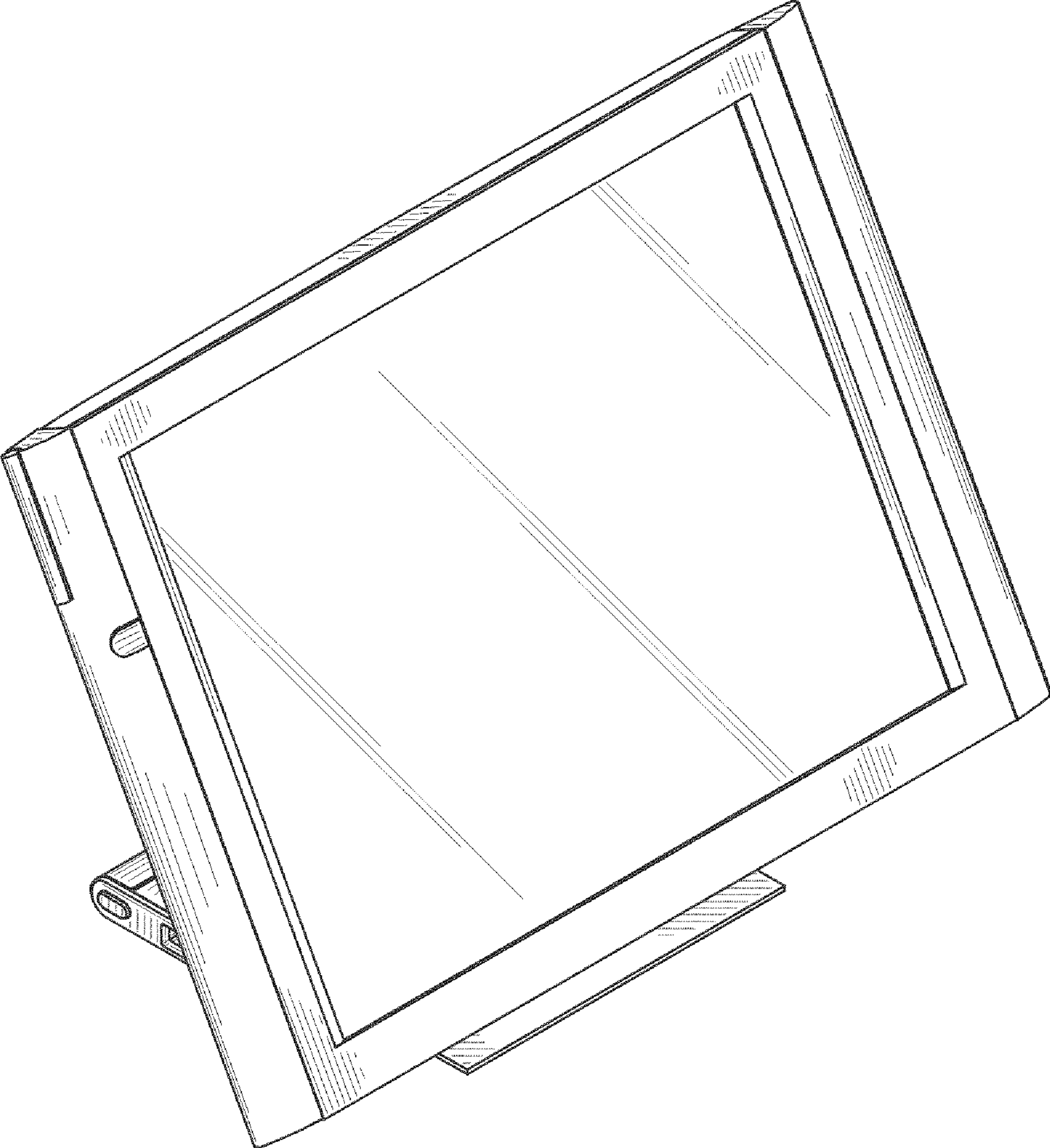


FIG. 1

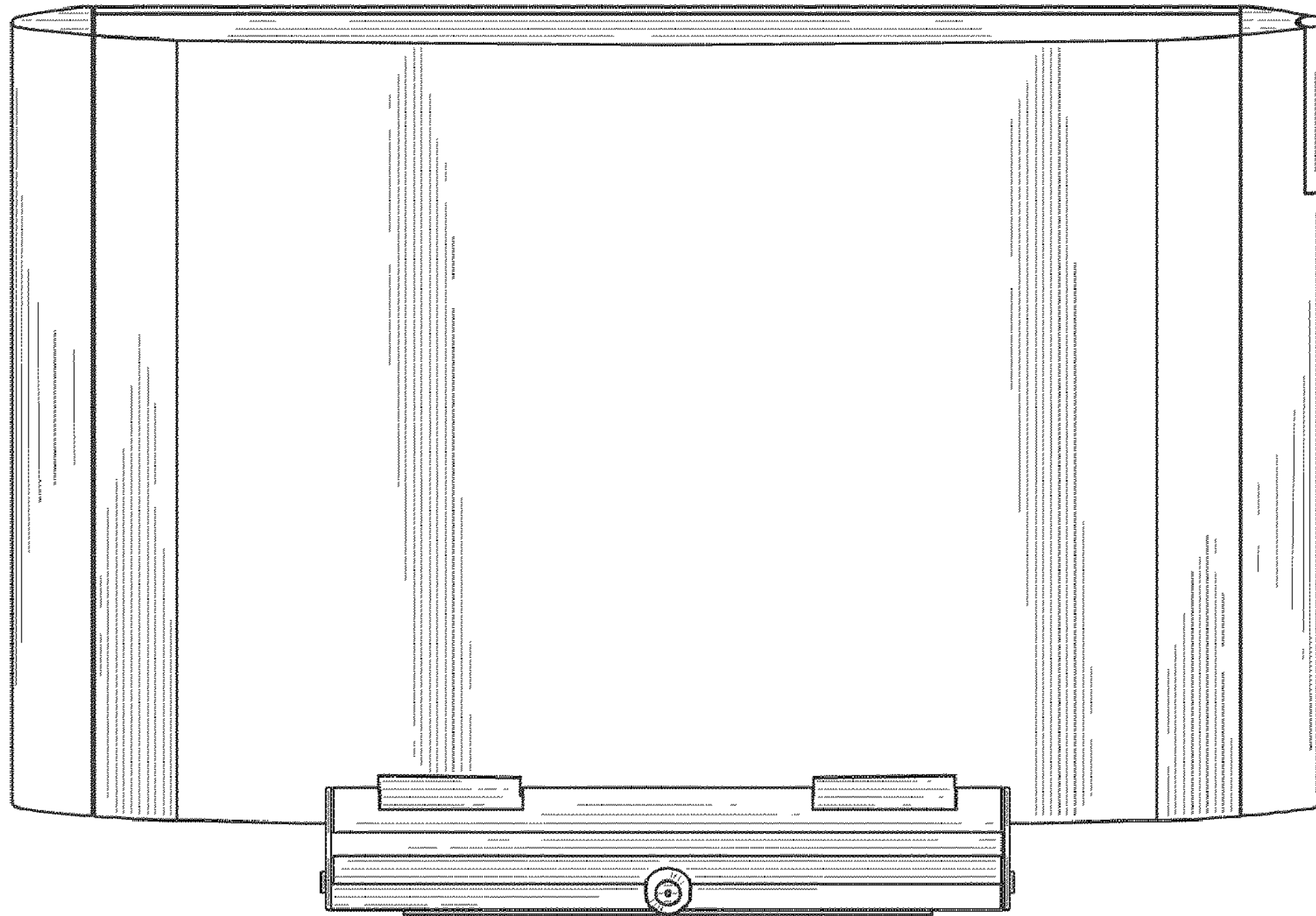


FIG. 2

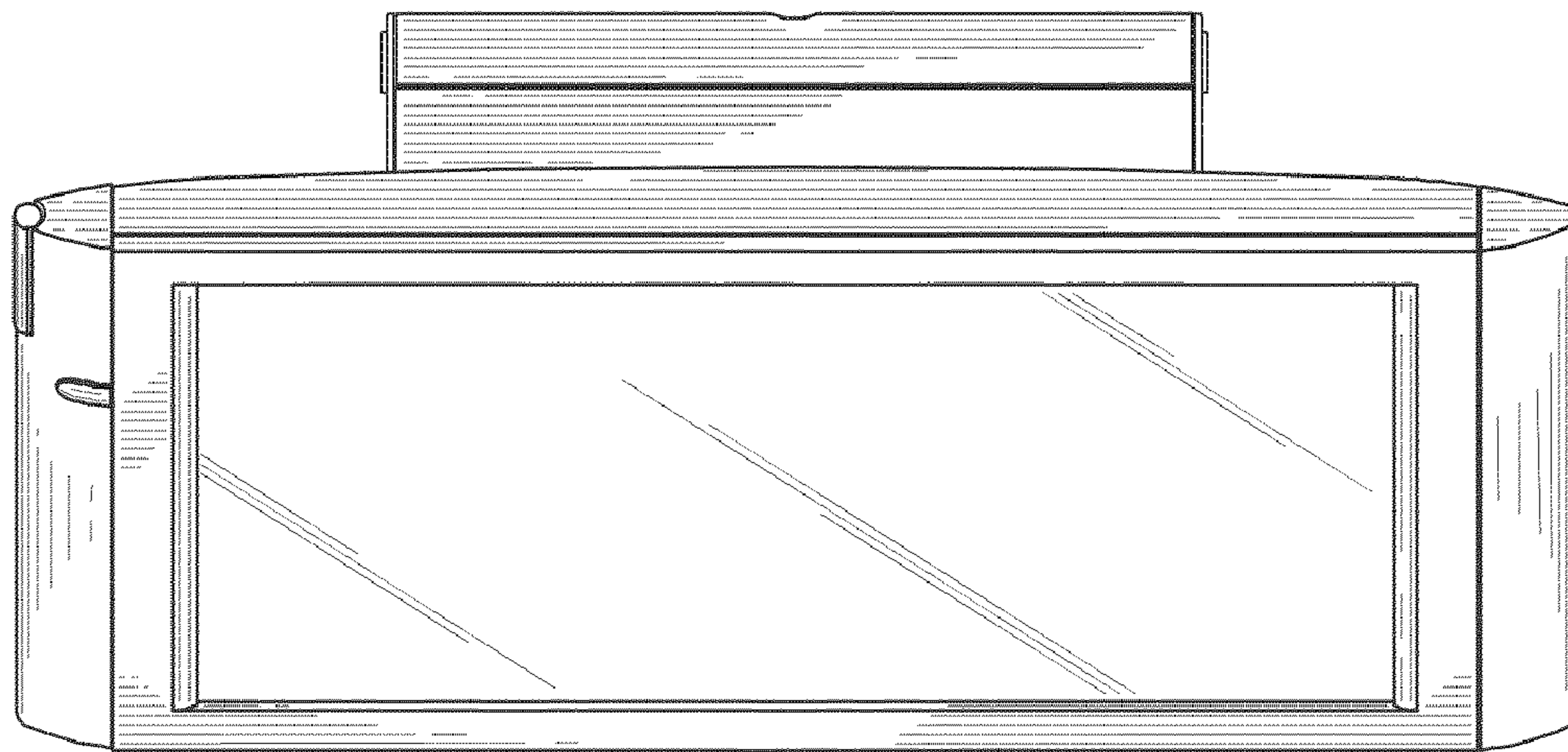


FIG. 3

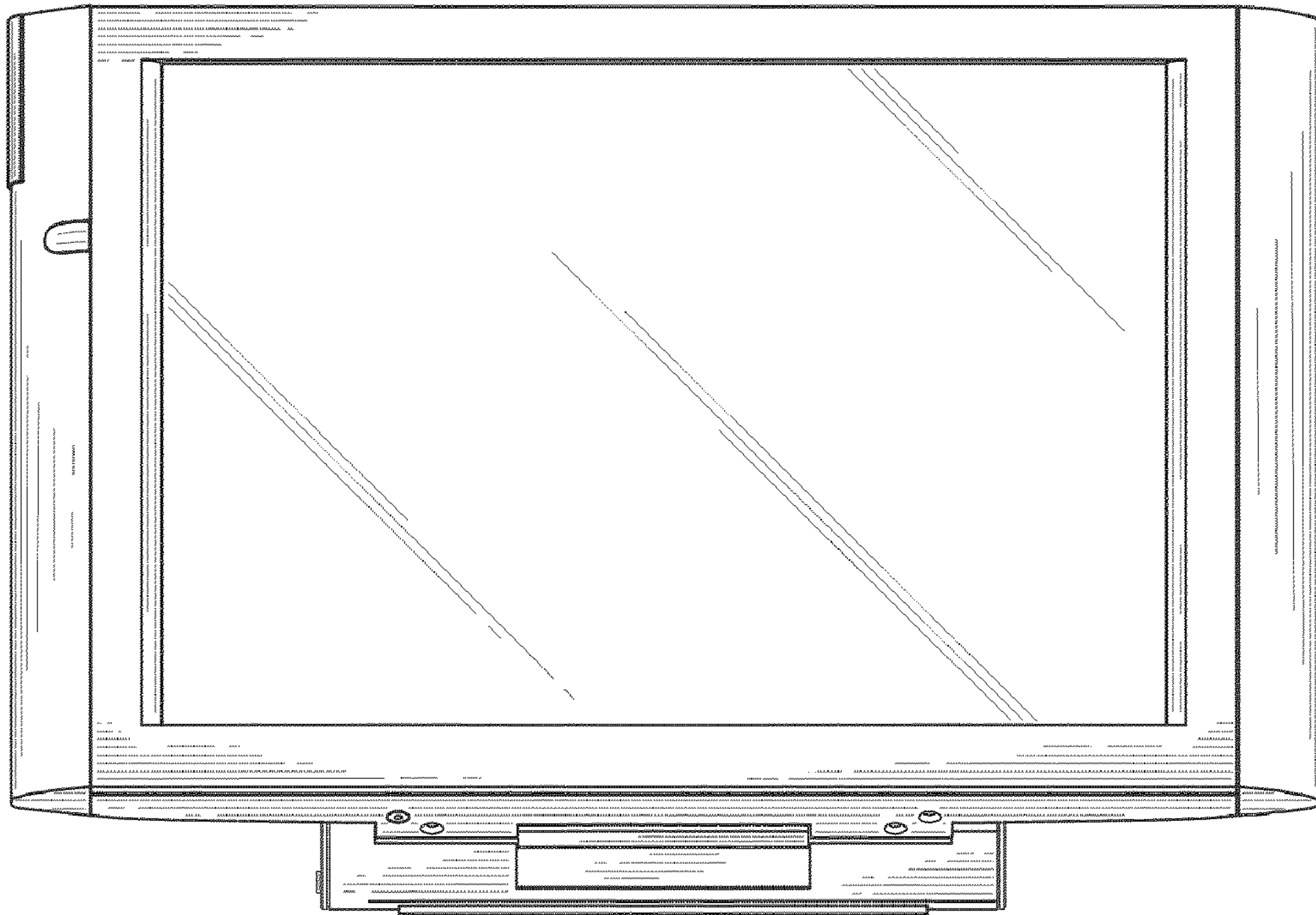


FIG. 4

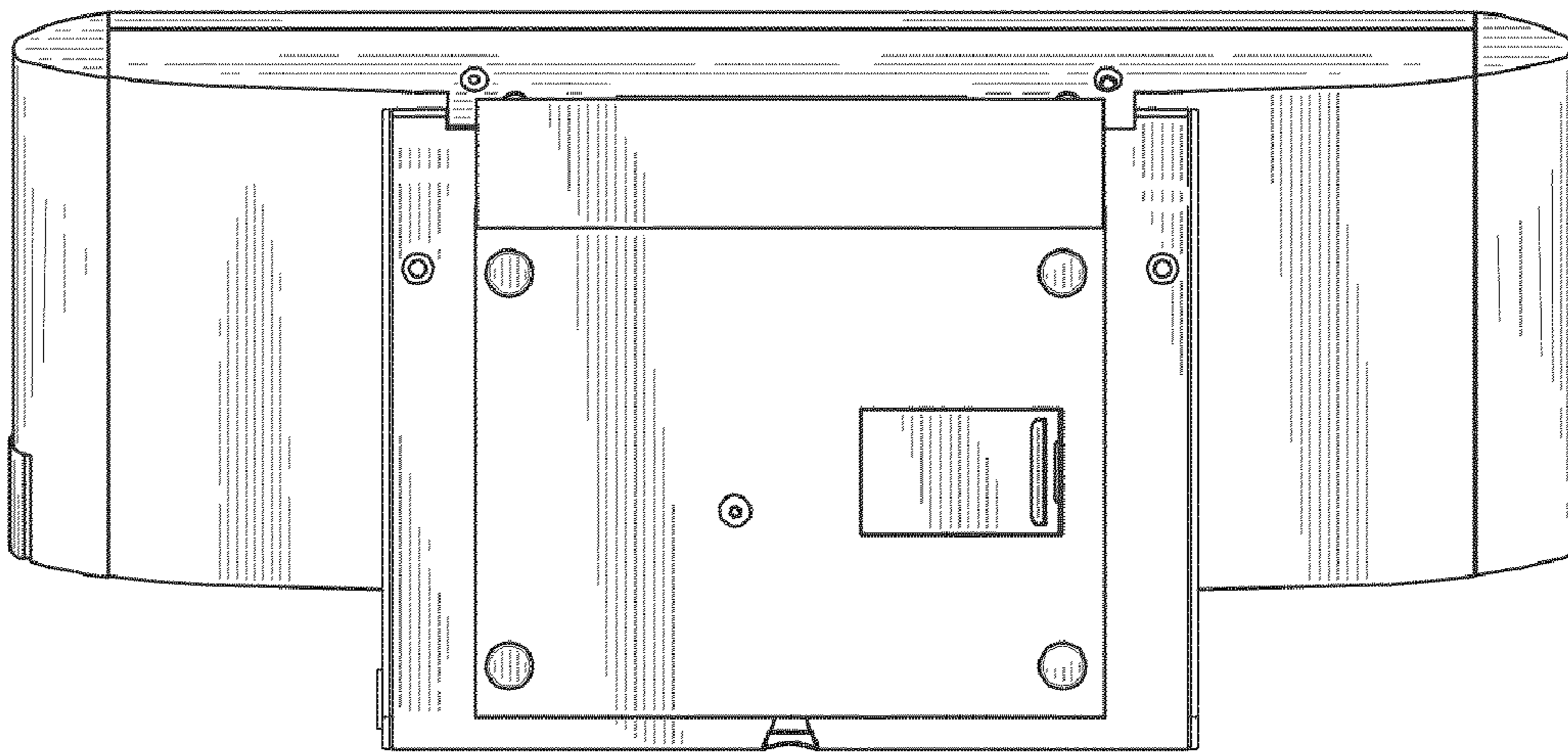


FIG. 5

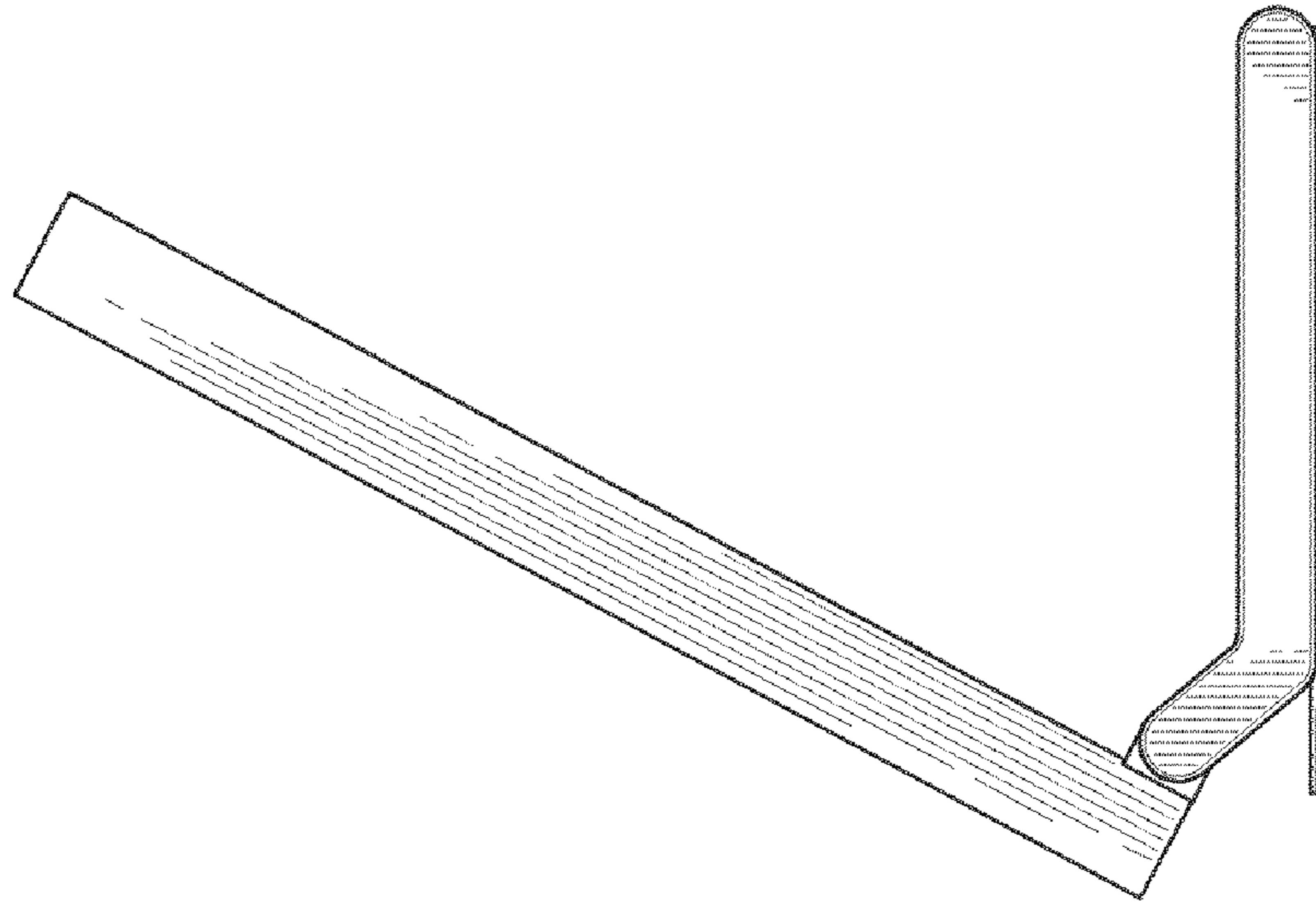


FIG. 7

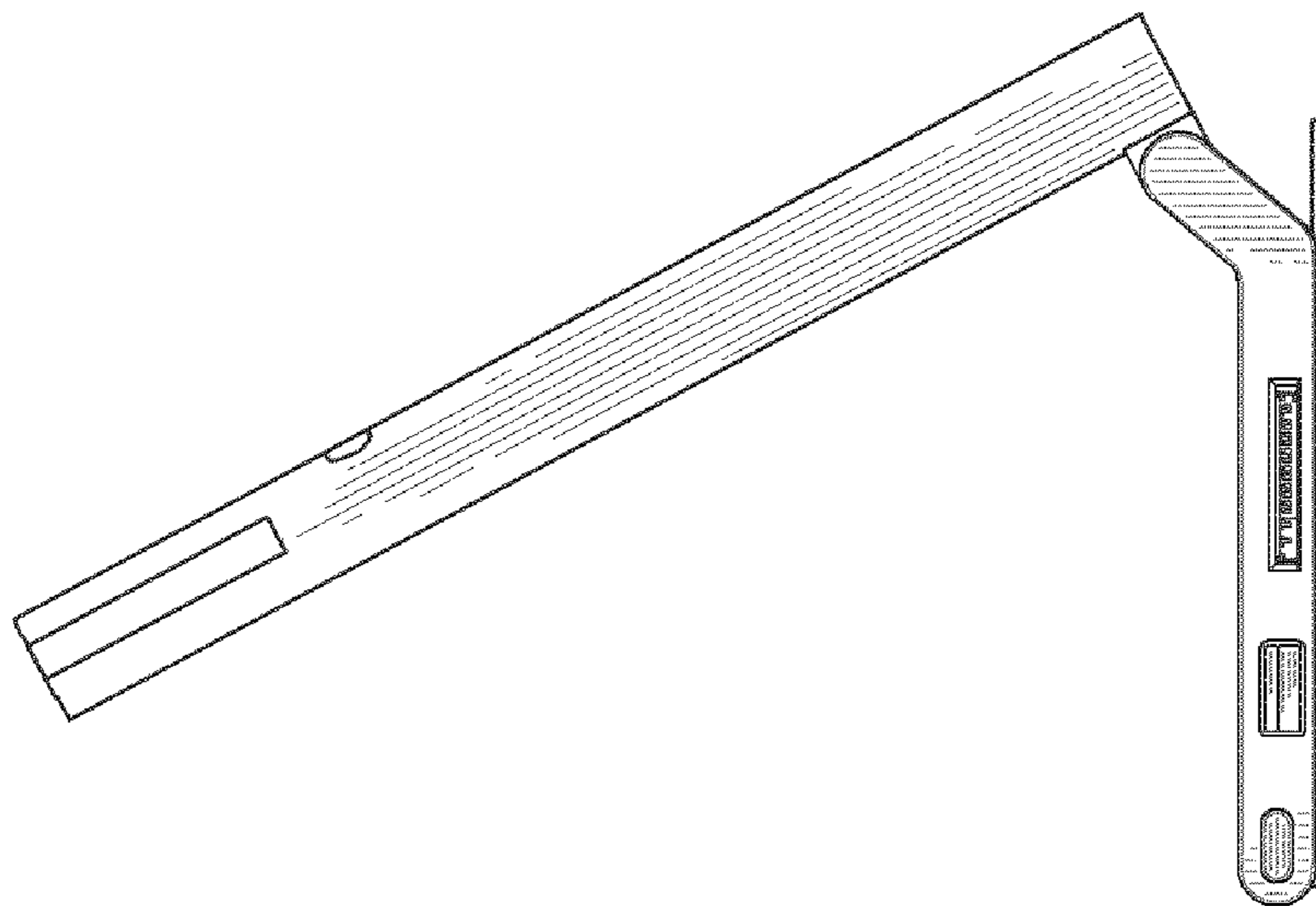


FIG. 6