



US00D597316S

(12) **United States Design Patent**
Borovicka et al.

(10) **Patent No.:** **US D597,316 S**

(45) **Date of Patent:** **** Aug. 4, 2009**

(54) **GRILL BRUSH HANDLE**

(75) Inventors: **Cory Thomas Borovicka**, San Francisco, CA (US); **Charles Adams**, Berkeley, CA (US)

(73) Assignee: **Charcoal Companion Incorporated**, Emeryville, CA (US)

(**) Term: **14 Years**

(21) Appl. No.: **29/285,872**

(22) Filed: **Apr. 12, 2007**

Related U.S. Application Data

(63) Continuation of application No. 29/268,286, filed on Nov. 2, 2006, now Pat. No. Des. 547,552.

(51) **LOC (9) Cl.** **04-01**

(52) **U.S. Cl.** **D4/129; D4/138**

(58) **Field of Classification Search** D4/129, D4/138, 199; D7/360, 361, 391, 393, 394, D7/536, 548; D8/45, 300, 303, 315-317, D8/319, 320, DIG. 9; D32/52; 15/111, 143.1, 15/159.1, 160, 235.4-235.8; 16/110.1, 412, 16/413, 419, 422, 425, 426, 430, DIG. 12, 16/DIG. 19; 220/752, 753, 755, 769; 294/58
See application file for complete search history.

(56) **References Cited**

U.S. PATENT DOCUMENTS

2,131,663 A * 9/1938 Hughes 220/772
2,997,218 A * 8/1961 Kobles 294/150

D192,812 S * 5/1962 Hvale et al. D7/394
D249,316 S * 9/1978 Tyska et al. D7/536
D362,937 S * 10/1995 Camp et al. D32/48
D398,110 S * 9/1998 Zemel D32/42
6,216,306 B1 * 4/2001 Esterson et al. 15/111
D468,107 S * 1/2003 Shen D4/118
6,918,533 B2 * 7/2005 Canino 229/117.23
D535,856 S * 1/2007 Kell D7/538
D547,159 S * 7/2007 Porth et al. D8/303

* cited by examiner

Primary Examiner—Melanie H Tung

Assistant Examiner—Lavone D Tabor

(74) *Attorney, Agent, or Firm*—Beeson Skinner Beverly, LLP; Donald L. Beeson

(57) **CLAIM**

The ornamental design for a grill brush handle, as shown and described.

DESCRIPTION

FIG. 1 is a top perspective view of a grill brush handle showing our new design;

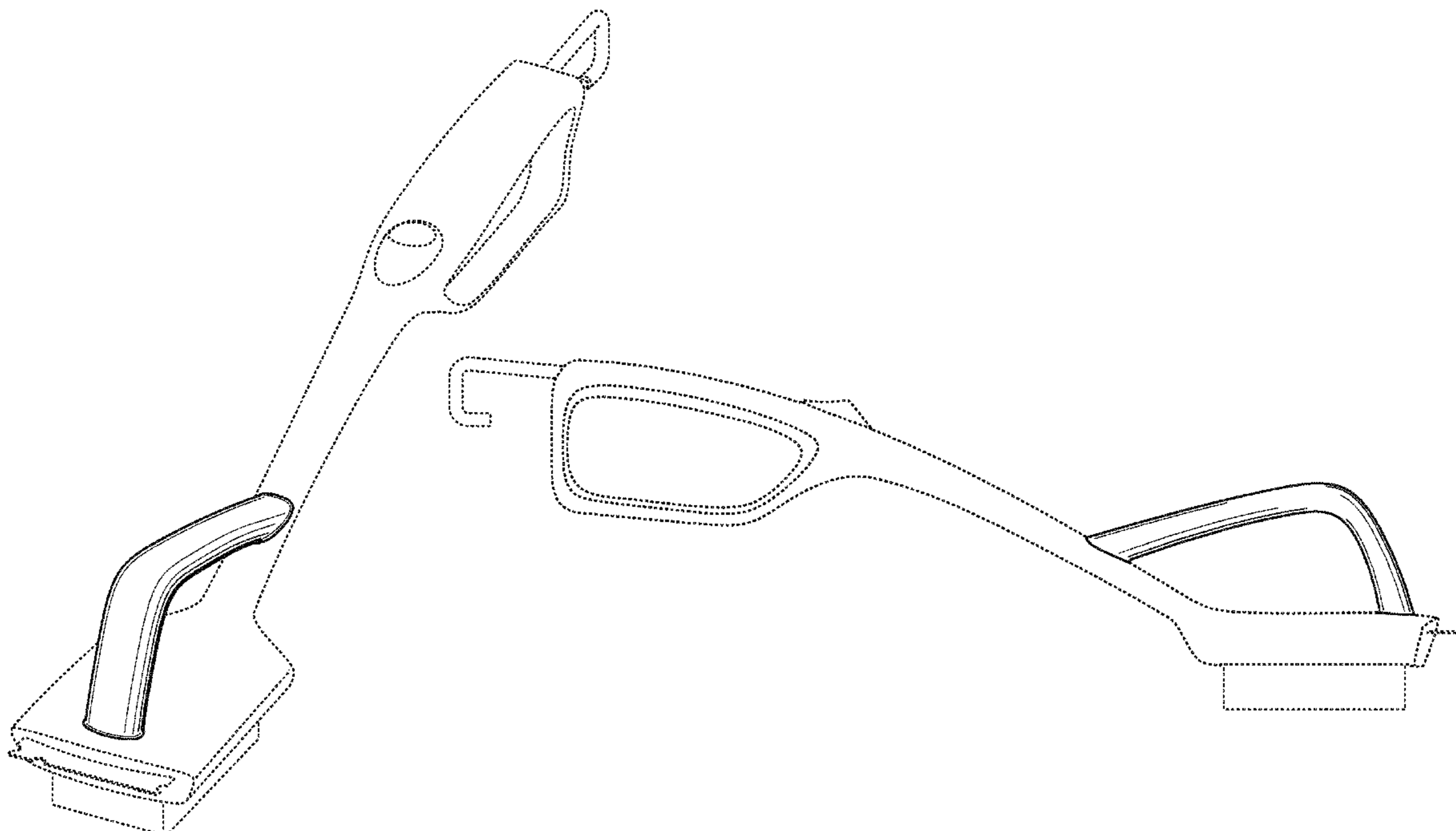
FIG. 2 is a front elevation view thereof;

FIG. 3 is a left side elevation view thereof, the right side being a mirror image; and,

FIG. 4 is a top plan view thereof.

The broken lines in FIGS. 3 and 4 represent the bounds of the claimed design while all other broken lines are directed to environment and are for illustrative purposes only; the broken lines form no part of the claimed design.

1 Claim, 3 Drawing Sheets



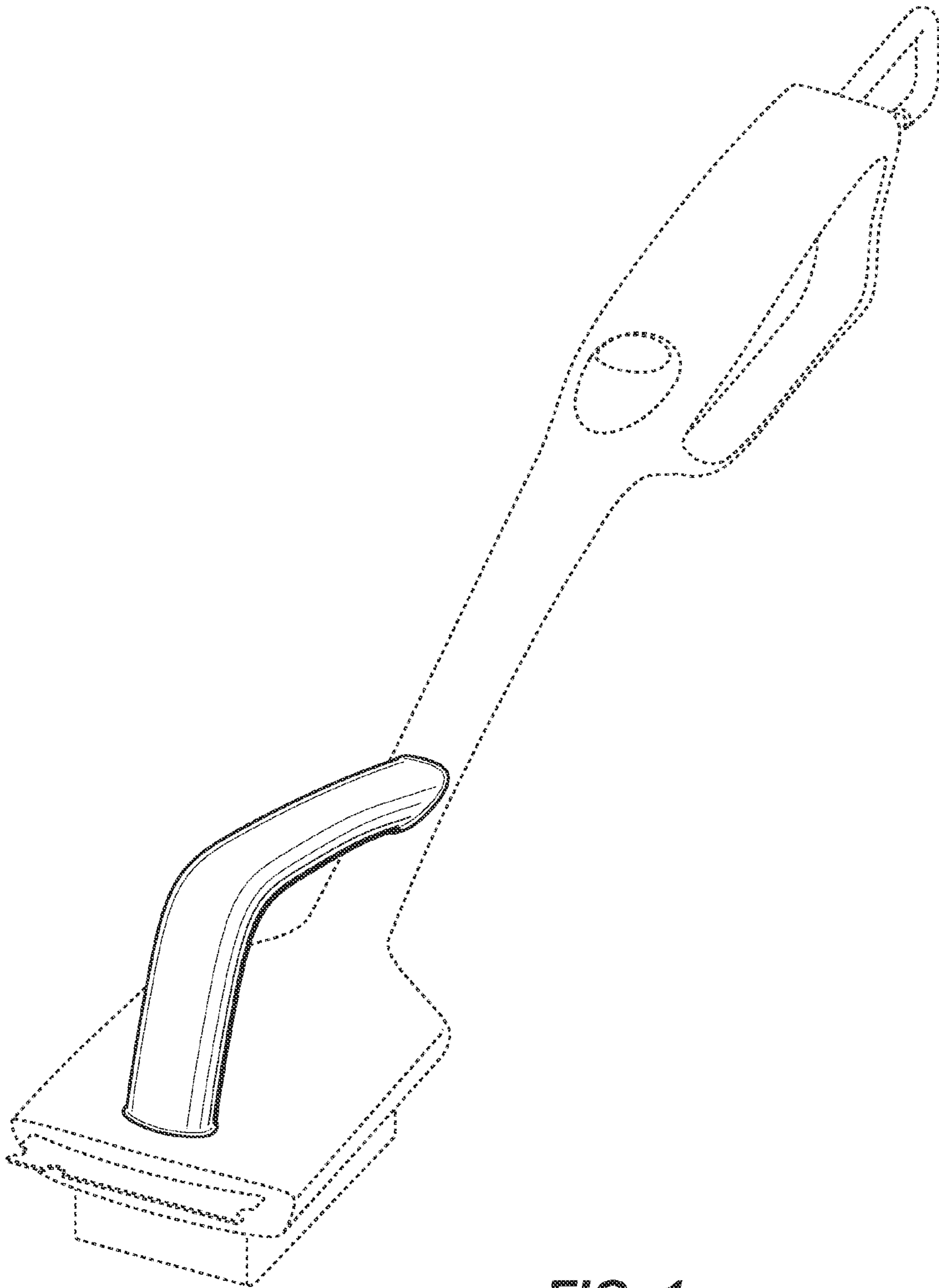


FIG. 1

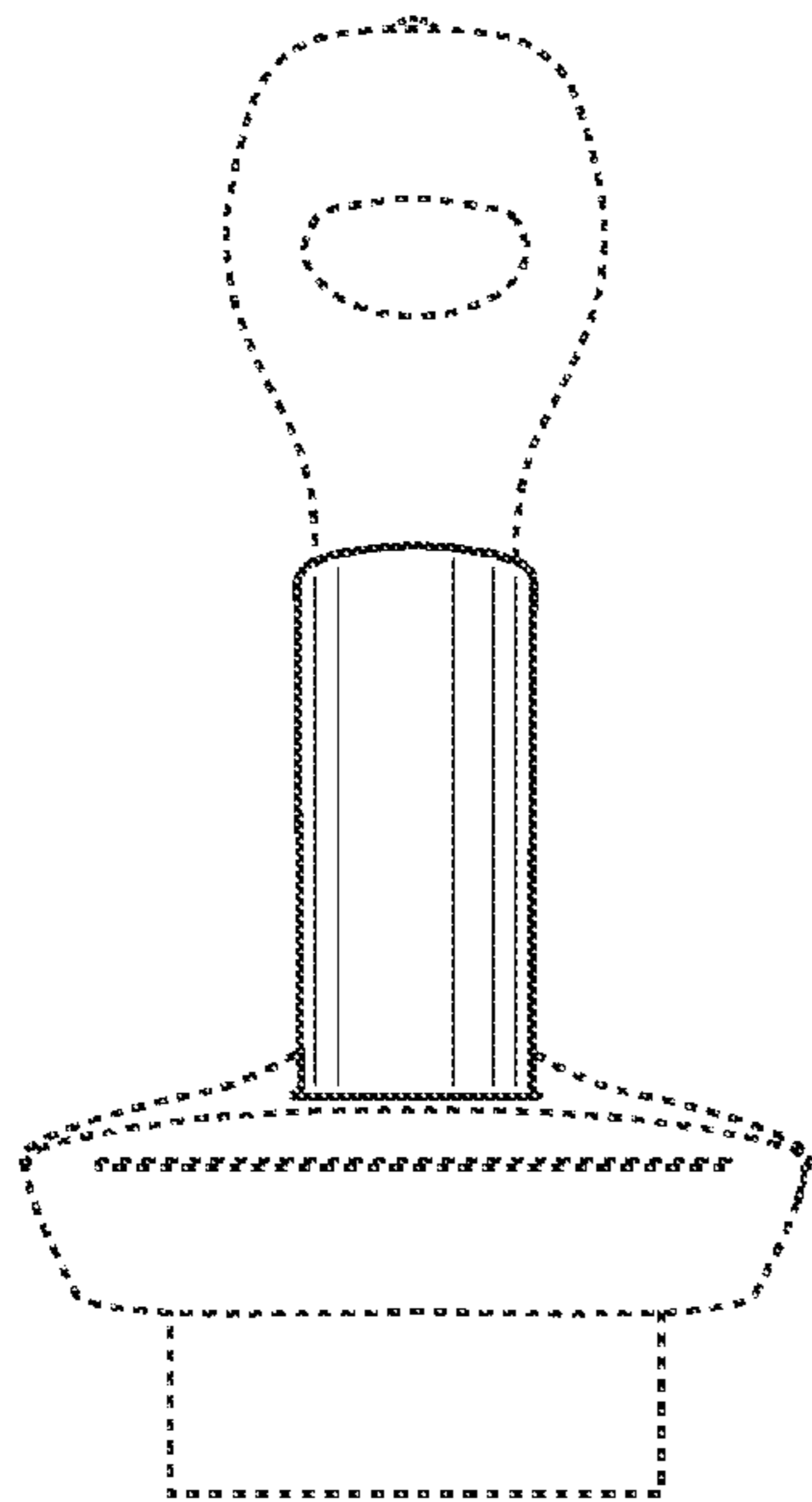
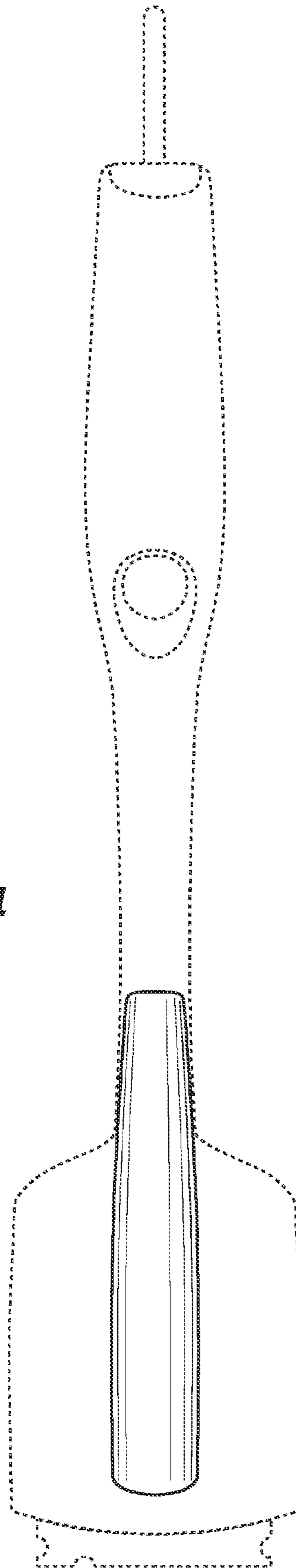


FIG. 2

FIG. 4



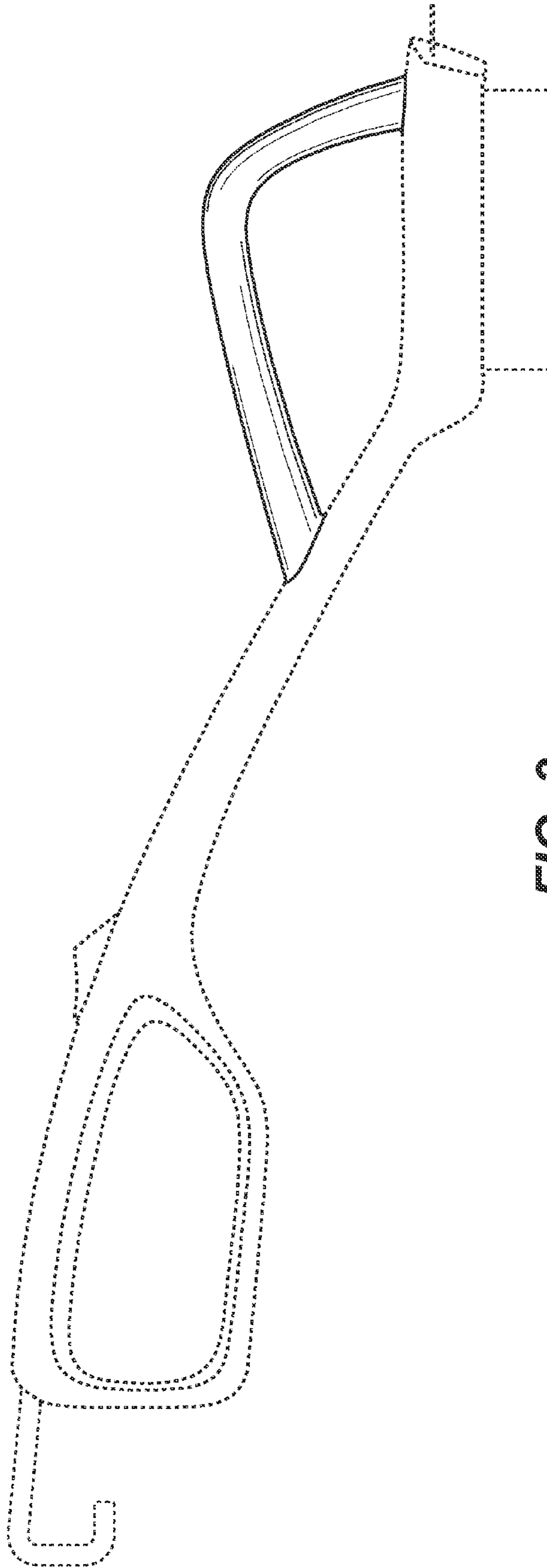


FIG. 3