



US00D597315S

(12) **United States Design Patent**  
**Hoffelner**

(10) **Patent No.:** **US D597,315 S**  
(45) **Date of Patent:** **\*\* Aug. 4, 2009**

(54) **COMBINED ICE SCRAPER AND BRUSH**

(75) Inventor: **Volkwin Hoffelner**, St. Andrä-Wördern  
(AT)

(73) Assignee: **VEROPA Dkfm. Peter Vogt GmbH**,  
Vienna (AT)

(\*\*) Term: **14 Years**

(21) Appl. No.: **29/325,615**

(22) Filed: **Oct. 3, 2008**

(30) **Foreign Application Priority Data**

Apr. 3, 2008 (EP) ..... 000908249-0001

(51) **LOC (9) Cl.** ..... **04-01**

(52) **U.S. Cl.** ..... **D4/118; D4/121**

(58) **Field of Classification Search** ..... D4/118,  
D4/121, 132, 134, 138; D32/42, 46, 49;  
15/111, 144.1, 144.3, 144.4, 159.1, 160,  
15/171, 172, 176.1, 236.01, 236.02, 236.05,  
15/236.06, 236.08

See application file for complete search history.

(56) **References Cited**

**U.S. PATENT DOCUMENTS**

4,908,900 A \* 3/1990 McLaughlin et al. .... 15/111  
D335,771 S \* 5/1993 Mallory et al. .... D4/118  
D424,305 S \* 5/2000 Lozeau et al. .... D4/118  
D453,075 S \* 1/2002 Liu ..... D4/118

6,481,041 B1 \* 11/2002 Ingram ..... 15/111  
7,155,770 B2 \* 1/2007 Anderson et al. .... 15/111  
2007/0234497 A1 \* 10/2007 Lee ..... 15/144.1

\* cited by examiner

*Primary Examiner*—Melanie H Tung

*Assistant Examiner*—Lavone D Tabor

(74) *Attorney, Agent, or Firm*—Laurence A. Greenberg;  
Werner H. Stemer; Ralph e. Locher

(57) **CLAIM**

The ornamental design for a combined ice scraper and brush,  
as shown and described.

**DESCRIPTION**

FIG. 1 is a top perspective view of the combined ice scraper  
and brush, showing my new design;

FIG. 2 is a top plan view thereof;

FIG. 3 is a bottom plan view thereof;

FIG. 4 is a side elevation view thereof;

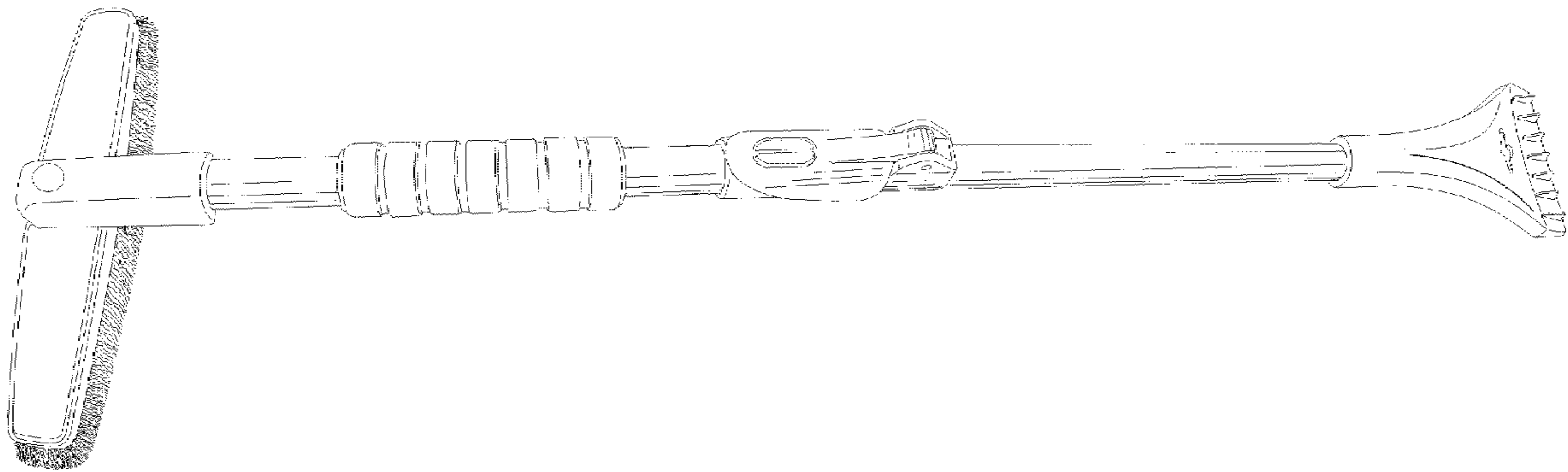
FIG. 5 is a top perspective view thereof, with the brush in an  
alternate position and the ice scraper in a retracted position;

FIG. 6 is a top plan view thereof, showing the ice scraper yet  
further retracted;

FIG. 7 is a bottom plan view the article as shown in FIG. 6;  
and,

FIG. 8 is a side elevation view the article as shown in FIG. 6.

**1 Claim, 4 Drawing Sheets**



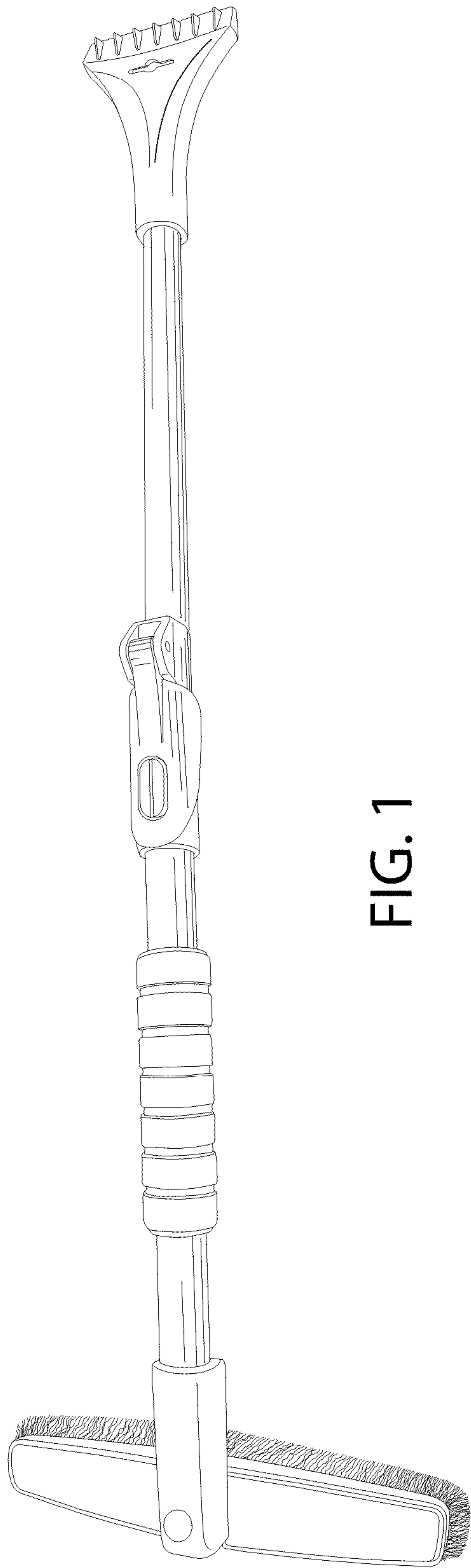


FIG. 1

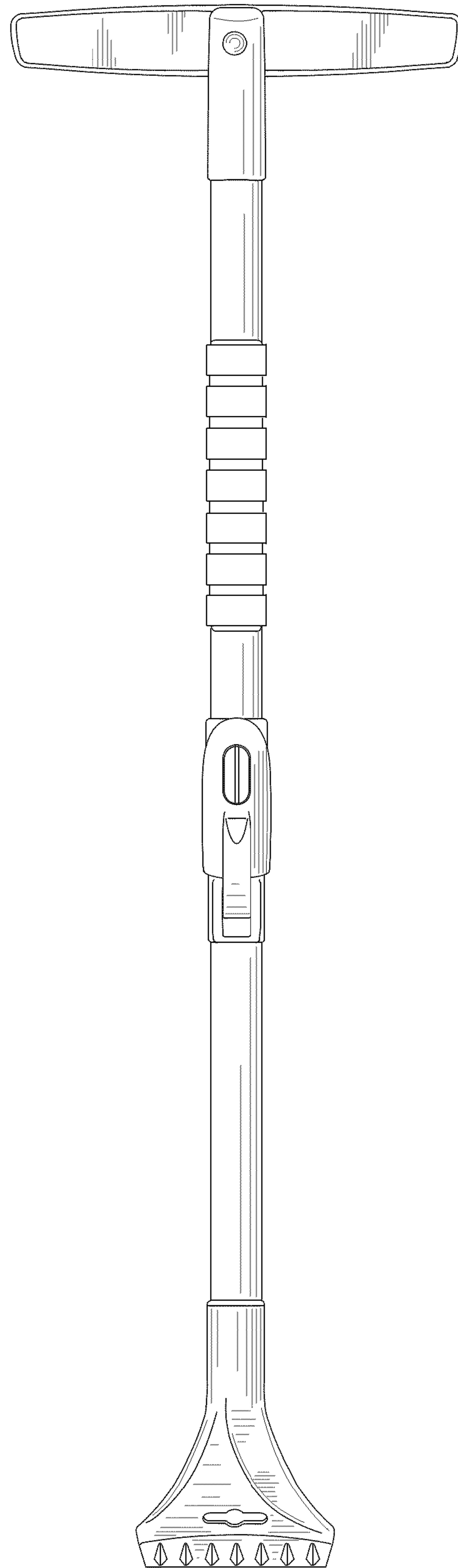


FIG. 2

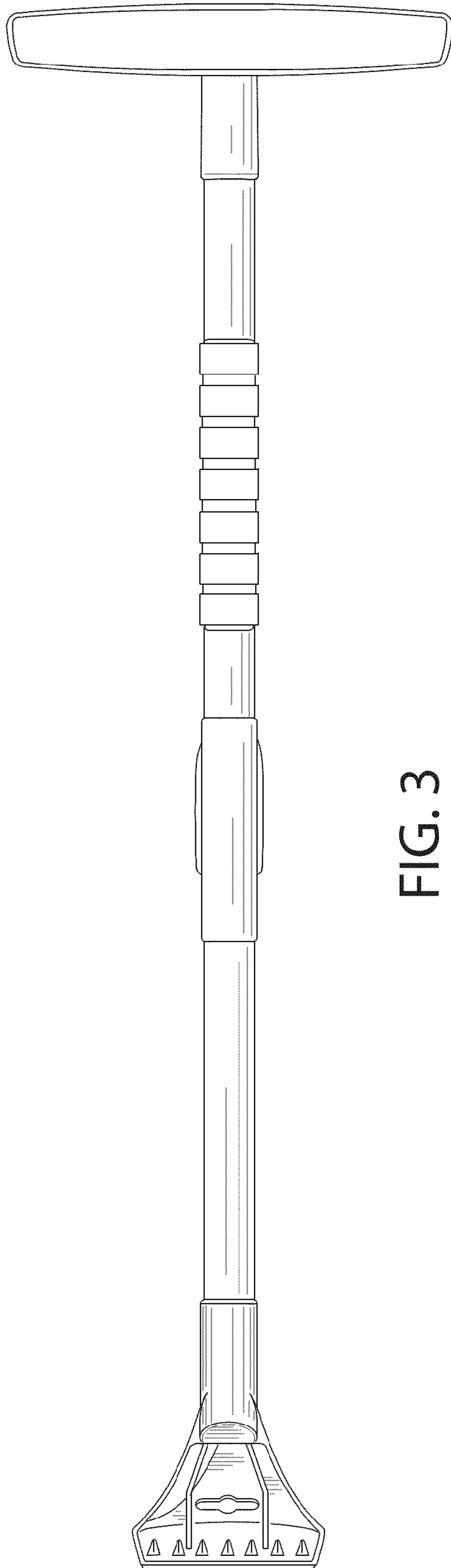


FIG. 3

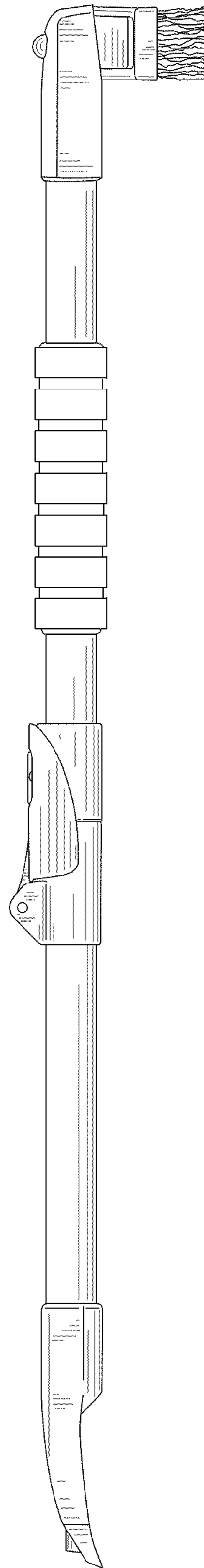


FIG. 4

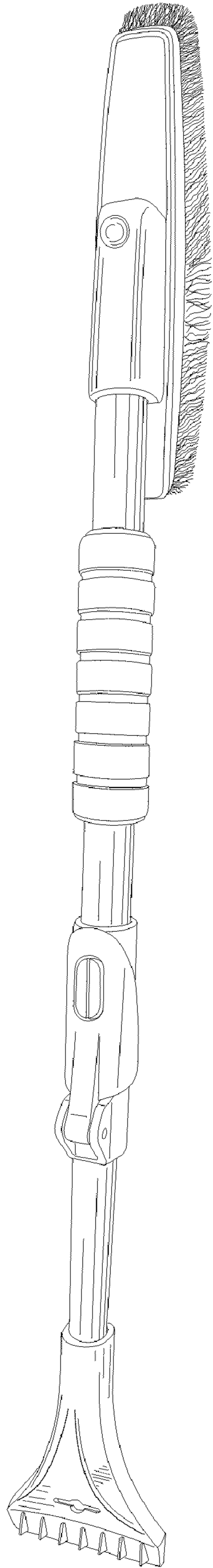


FIG. 5

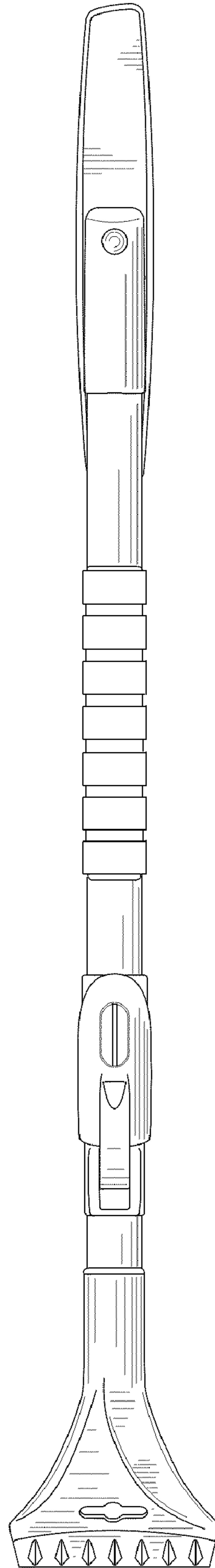


FIG. 6

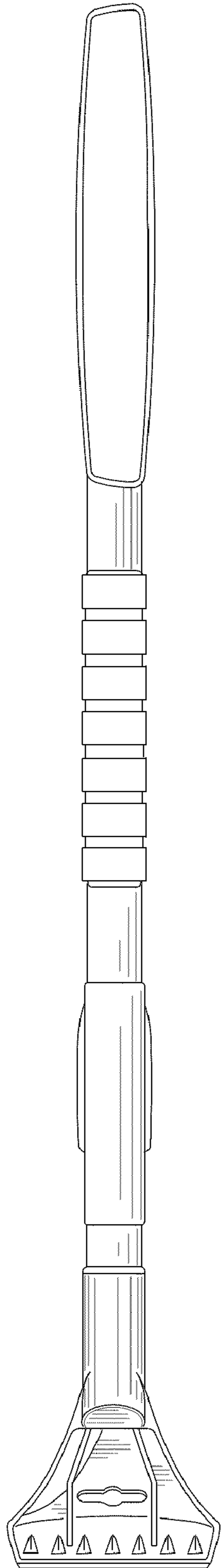


FIG. 7

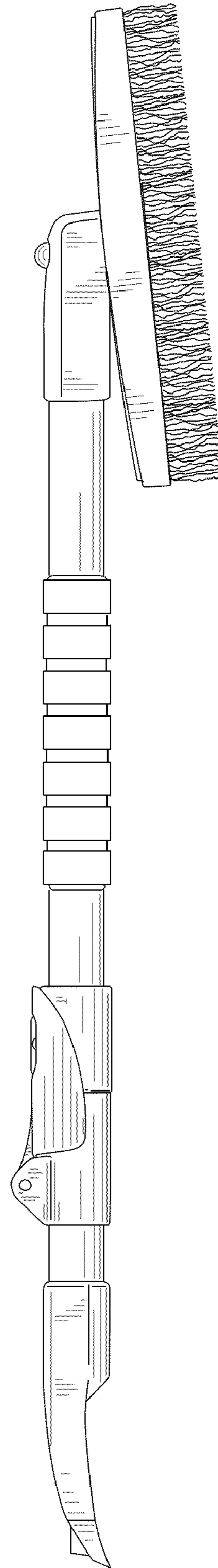


FIG. 8