

US00D597314S

(12) **United States Design Patent**
Cane et al.

(10) **Patent No.:** **US D597,314 S**

(45) **Date of Patent:** **** Aug. 4, 2009**

(54) **PAINT APPLICATOR DEVICE HANDLE**

(75) Inventors: **Michael Roger Cane**, Riverside (GB);
Ruth Elizabeth Walcot, Bury St.
Edmunds (GB); **Nicholas Field**, Coton
(GB); **Ahmad Bittar**, Cambridge (GB);
Christopher John Ord, Cambridge
(GB)

(73) Assignee: **Imperial Chemical Industries Limited**,
London (GB)

(**) Term: **14 Years**

(21) Appl. No.: **29/329,422**

(22) Filed: **Dec. 15, 2008**

(30) **Foreign Application Priority Data**

Jun. 13, 2003 (EM) 000950704-0003

(51) **LOC (9) Cl.** **08-05**

(52) **U.S. Cl.** **D4/115; D4/138**

(58) **Field of Classification Search** D4/115,
D4/122, 137, 138, 199; 15/27, 143.1, 230.11;
401/196, 197, 203, 204, 207, 208; D8/67,
D8/70, 80, 94, 107; 7/105; 16/430, 431,
16/DIG. 12, DIG. 18, DIG. 19; 81/177.1,
81/489; 492/13, 16, 17, 19

See application file for complete search history.

(56) **References Cited**

U.S. PATENT DOCUMENTS

1,156,783 A * 10/1915 Kane 7/105

3,030,652 A * 4/1962 Whitfield et al. 401/218
3,134,130 A * 5/1964 Chadwick, II 401/188 R
3,193,868 A * 7/1965 Cassidy 401/188 R
4,639,156 A * 1/1987 Stern et al. 401/146
6,006,393 A * 12/1999 Lynch et al. 15/144.1
D448,265 S * 9/2001 Chen D8/80
2007/0110505 A1 * 5/2007 Frank et al. 401/197

* cited by examiner

Primary Examiner—Melanie H Tung

Assistant Examiner—Lavone D Tabor

(74) *Attorney, Agent, or Firm*—Timothy D. Meade

(57) **CLAIM**

The ornamental design of a paint applicator device handle, as shown and described.

DESCRIPTION

FIG. 1 is a front perspective view of a paint applicator device handle;

FIG. 2 is a left side elevation view, the right side being a mirror image;

FIG. 3 is a front elevation view of FIG. 1;

FIG. 4 is a rear elevation view of a FIG. 1;

FIG. 5 is a top plan view of FIG. 1; and,

FIG. 6 is a bottom plan view of FIG. 1.

The broken lines illustrate environmental structure that forms no part of the claimed design.

1 Claim, 5 Drawing Sheets

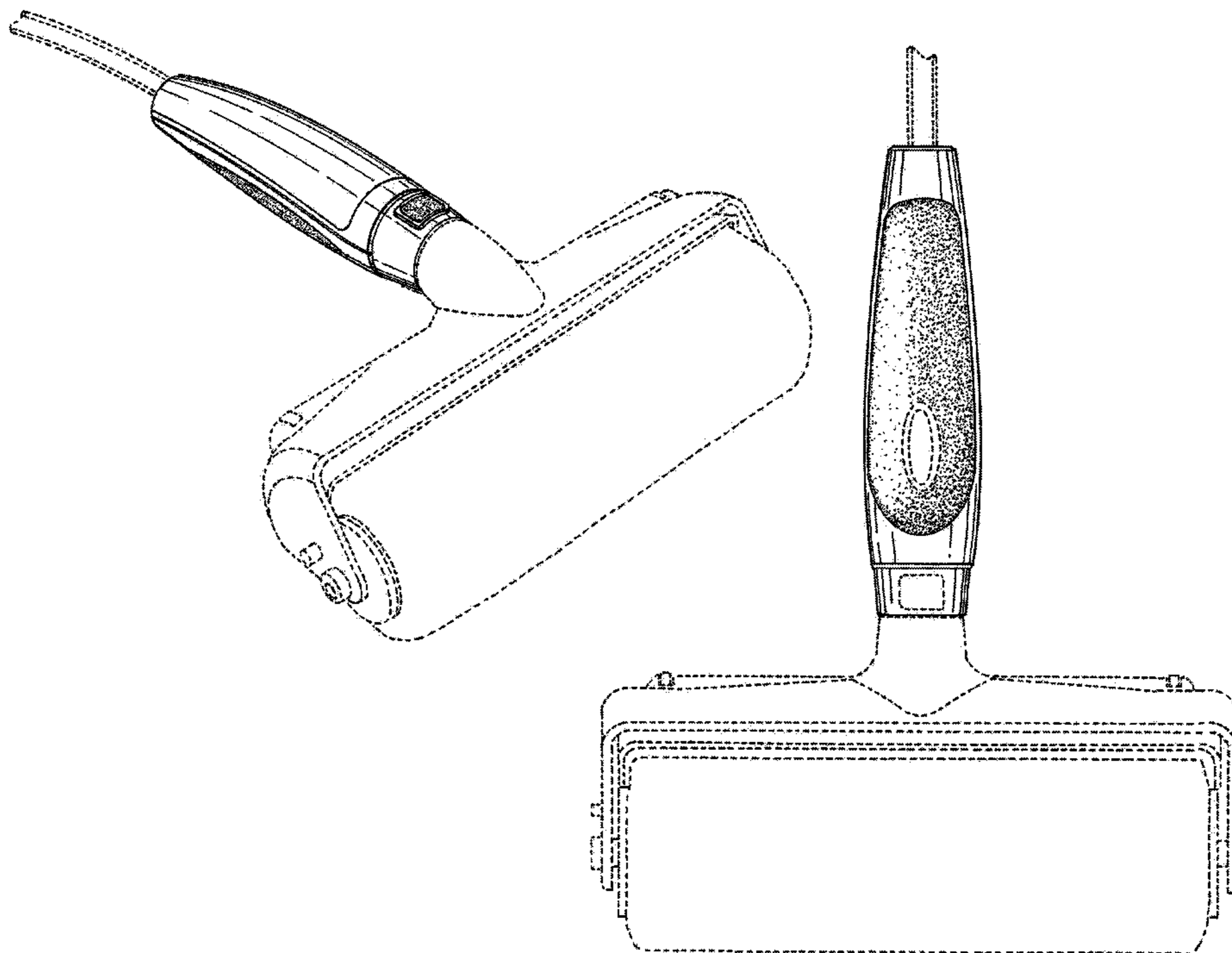
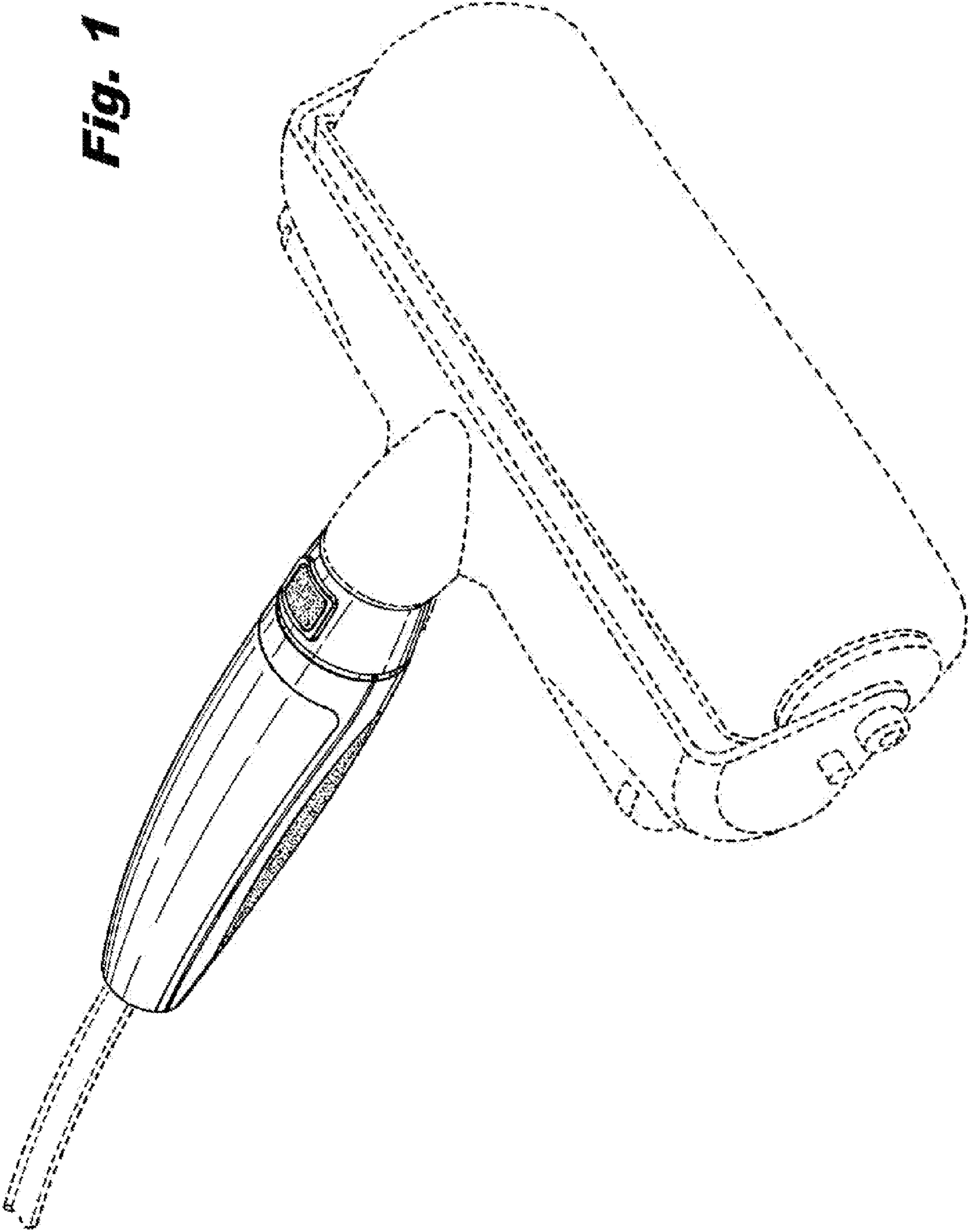


Fig. 1



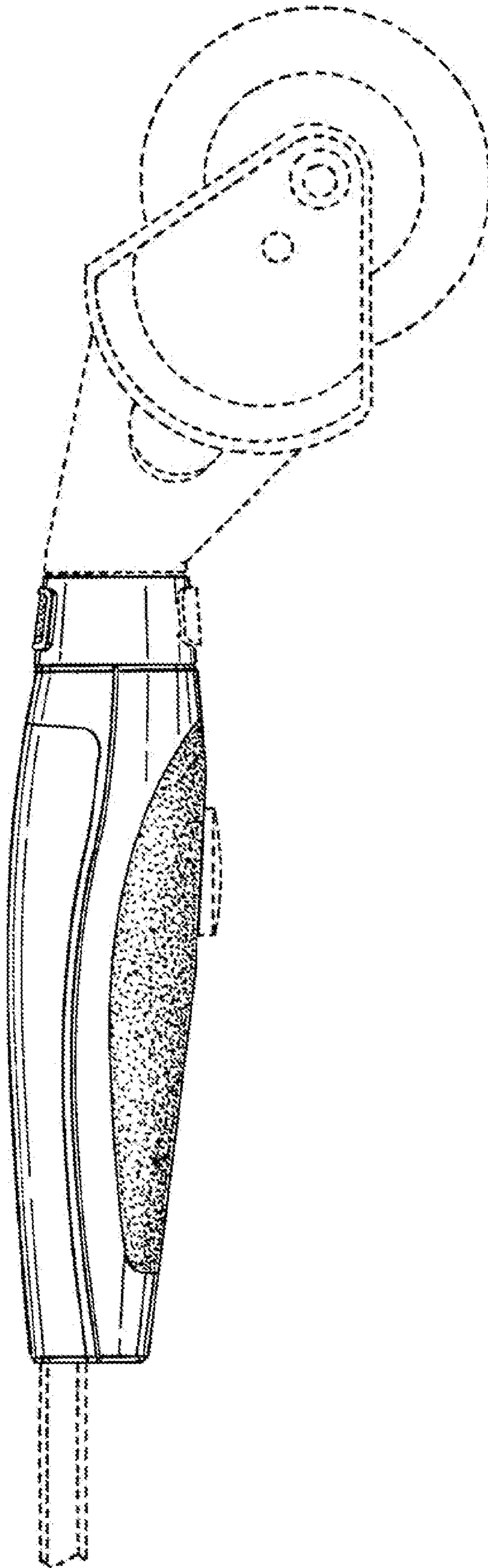


Fig. 2

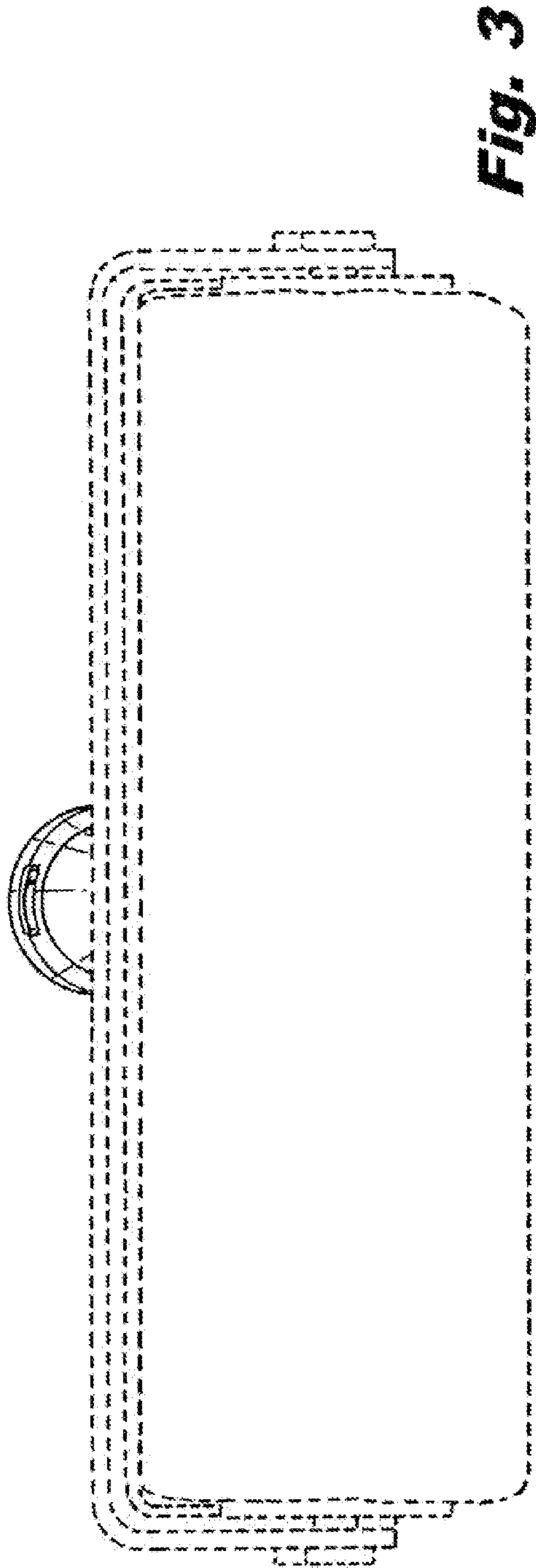


Fig. 3

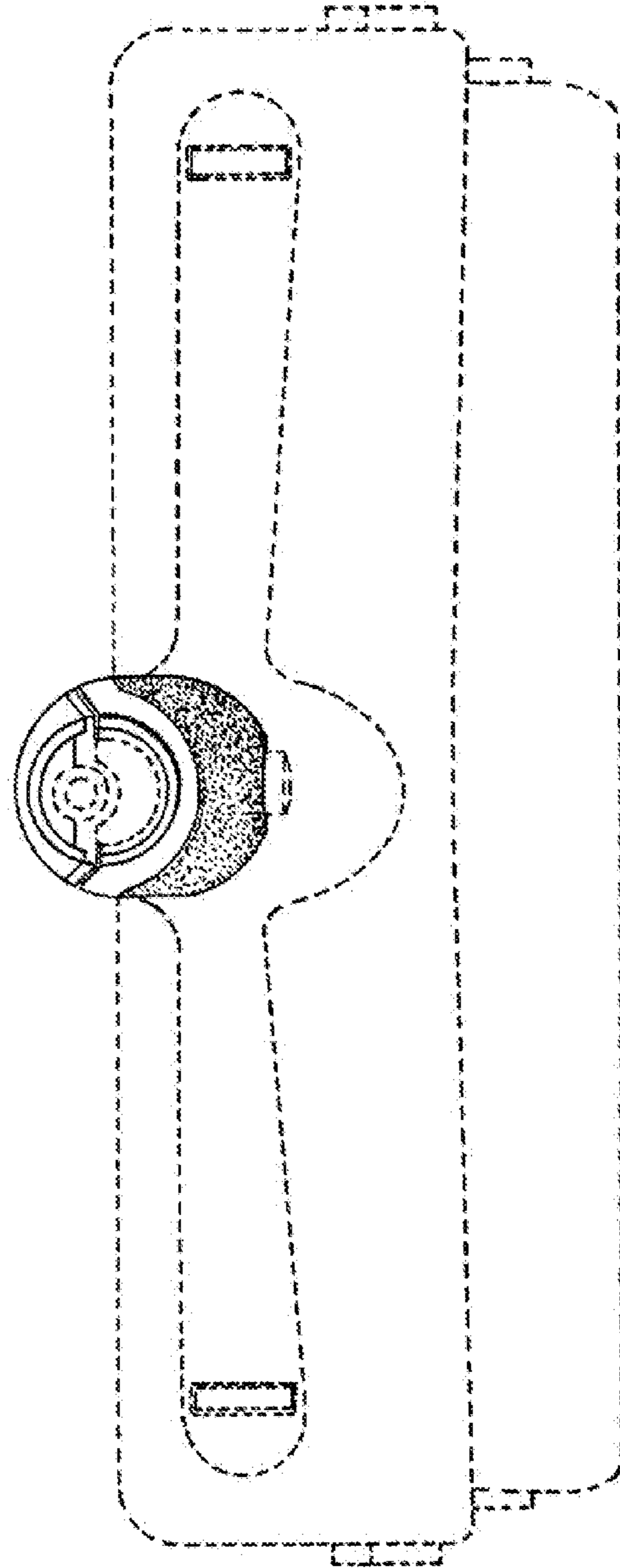


Fig. 4

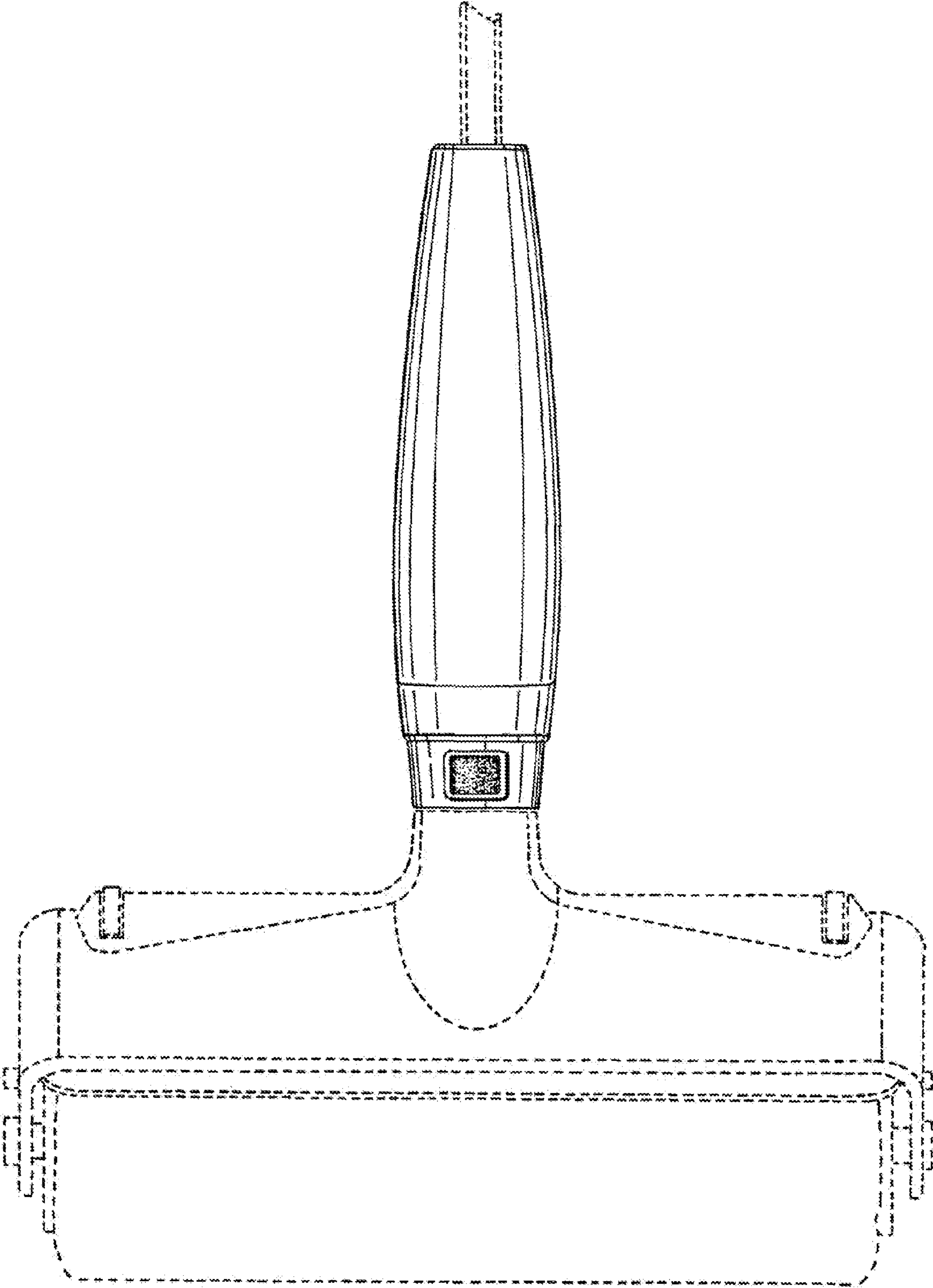


Fig. 5

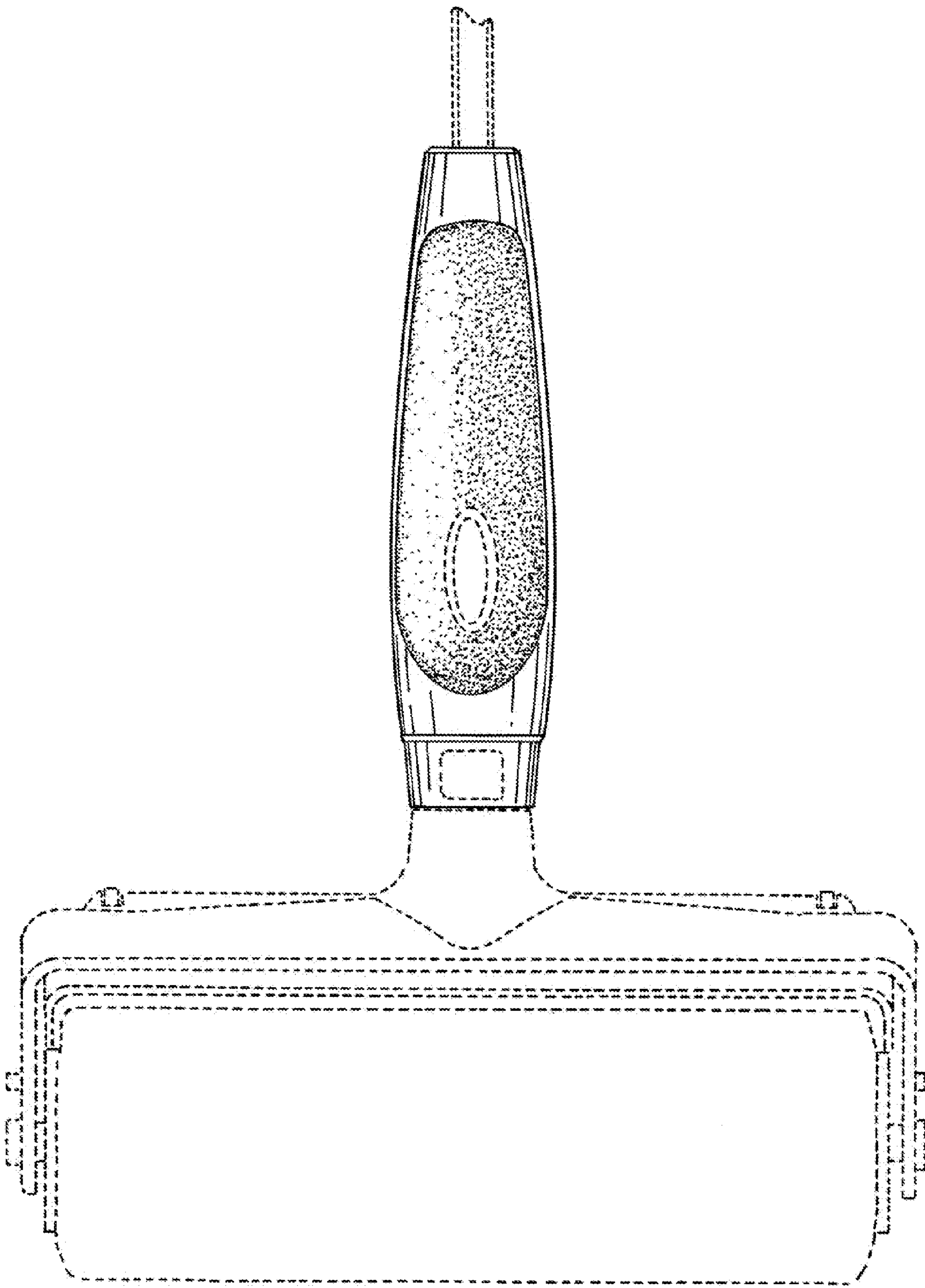


Fig. 6