

US00D597309S

(12) **United States Design Patent**
Jongchul

(10) **Patent No.:** **US D597,309 S**

(45) **Date of Patent:** **** Aug. 4, 2009**

(54) **CARRY-ON BAG WITH EASY ACCESS
OPENING TO INTERIOR**

(74) *Attorney, Agent, or Firm*—Harry I. Leon; Vivian Steadman

(76) **Inventor:** **Hong Jongchul**, 275 Wembley Cir.,
Atlanta, GA (US) 30328

(57) **CLAIM**

(**) **Term:** **14 Years**

I claim the ornamental design for a carry-on bag with easy access opening to interior, as shown and described.

(21) **Appl. No.:** **29/307,590**

DESCRIPTION

(22) **Filed:** **Apr. 29, 2008**

(51) **LOC (9) Cl.** **03-01**

(52) **U.S. Cl.** **D3/279; D3/283; D3/289;**
D3/902

(58) **Field of Classification Search** D3/273,
D3/279, 283, 289, 318–319, 321, 902; 190/18 A,
190/100, 103–104, 107, 109, 111–113, 115–116,
190/119

FIG. 1 is a front, right side perspective view of the carry-on bag according to the present invention with its access panel in the closed position;

FIG. 2 is a front, right side perspective view of the carry-on bag according to the present invention with its access panel in the open position, a baggage inspector's arm reaching into the interior, being shown in dashed lines for illustrated purposes only and forming no part of the claimed design;

See application file for complete search history.

FIG. 3 is a top perspective view of the carry-on bag with the access panel in the open position;

(56) **References Cited**

U.S. PATENT DOCUMENTS

FIGS. 4 and 5 are front views of the carry-on bag with its access panel in the closed and open positions, respectively;

D352,395 S *	11/1994	King	D3/279
D381,511 S *	7/1997	Krulik	D3/279
5,676,223 A *	10/1997	Cunningham	190/109
6,076,641 A *	6/2000	Kinzer et al.	190/18 A
D495,879 S *	9/2004	Bernbaum et al.	D3/279
D507,111 S *	7/2005	Renz et al.	D3/319
6,923,302 B2 *	8/2005	Godshaw et al.	190/109
6,953,110 B2 *	10/2005	Santy et al.	190/125
D541,530 S *	5/2007	Sijmons	D3/279

FIGS. 6 and 7 are right side views of the carry-on bag with its access panel in the closed and open positions, respectively;

FIGS. 8 and 9 are left side views of the carry-on bag with its access panel in the closed and open positions, respectively;

* cited by examiner

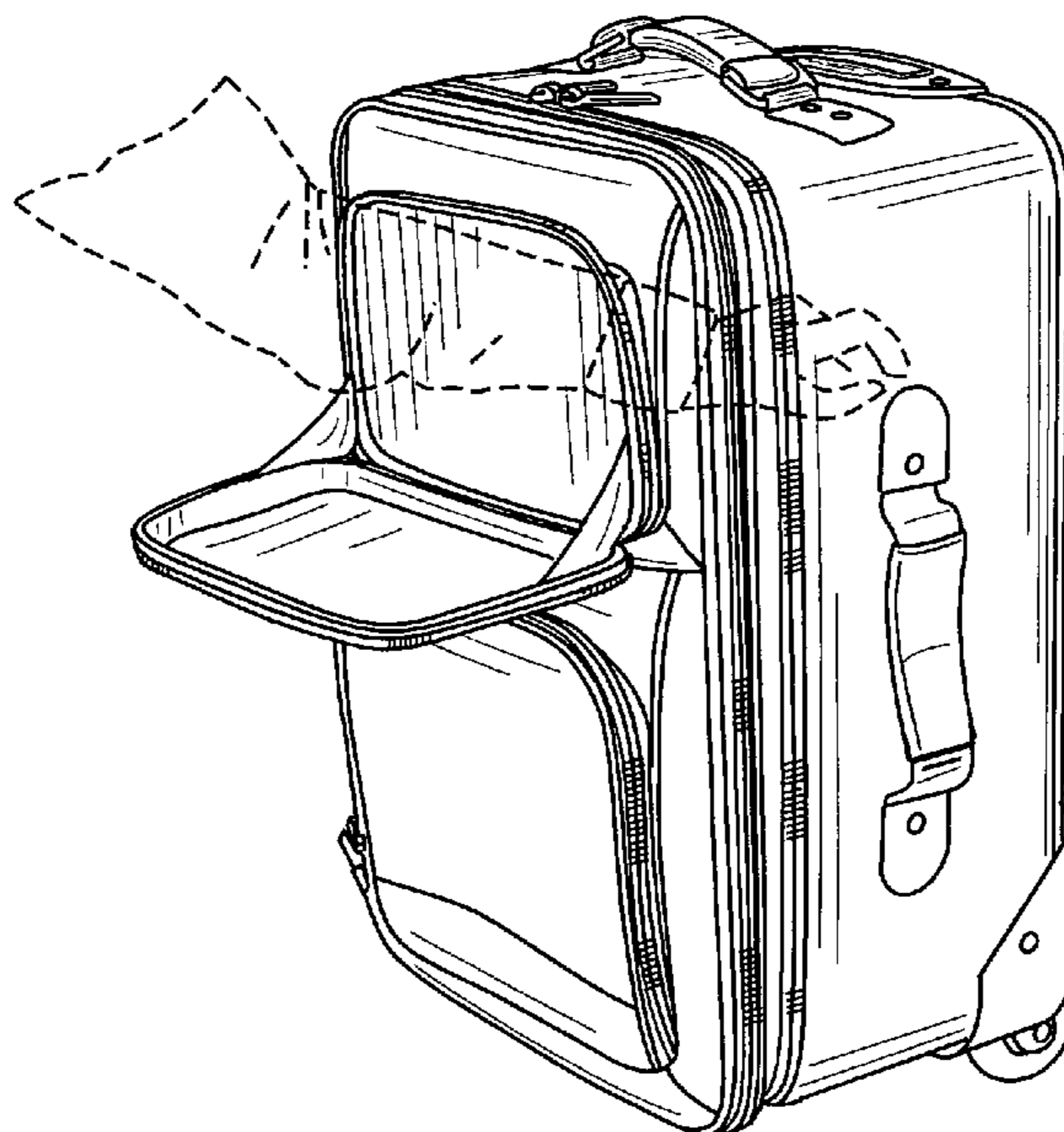
FIG. 10 is a back view of the carry-on bag;

Primary Examiner—Philip S Hyder
Assistant Examiner—Roselyne Cody

FIG. 11 is a bottom perspective view of the carry-on bag with the access panel closed; and,

FIG. 12 is a back perspective view of the carry-on bag with its handle for rolling extended.

1 Claim, 4 Drawing Sheets



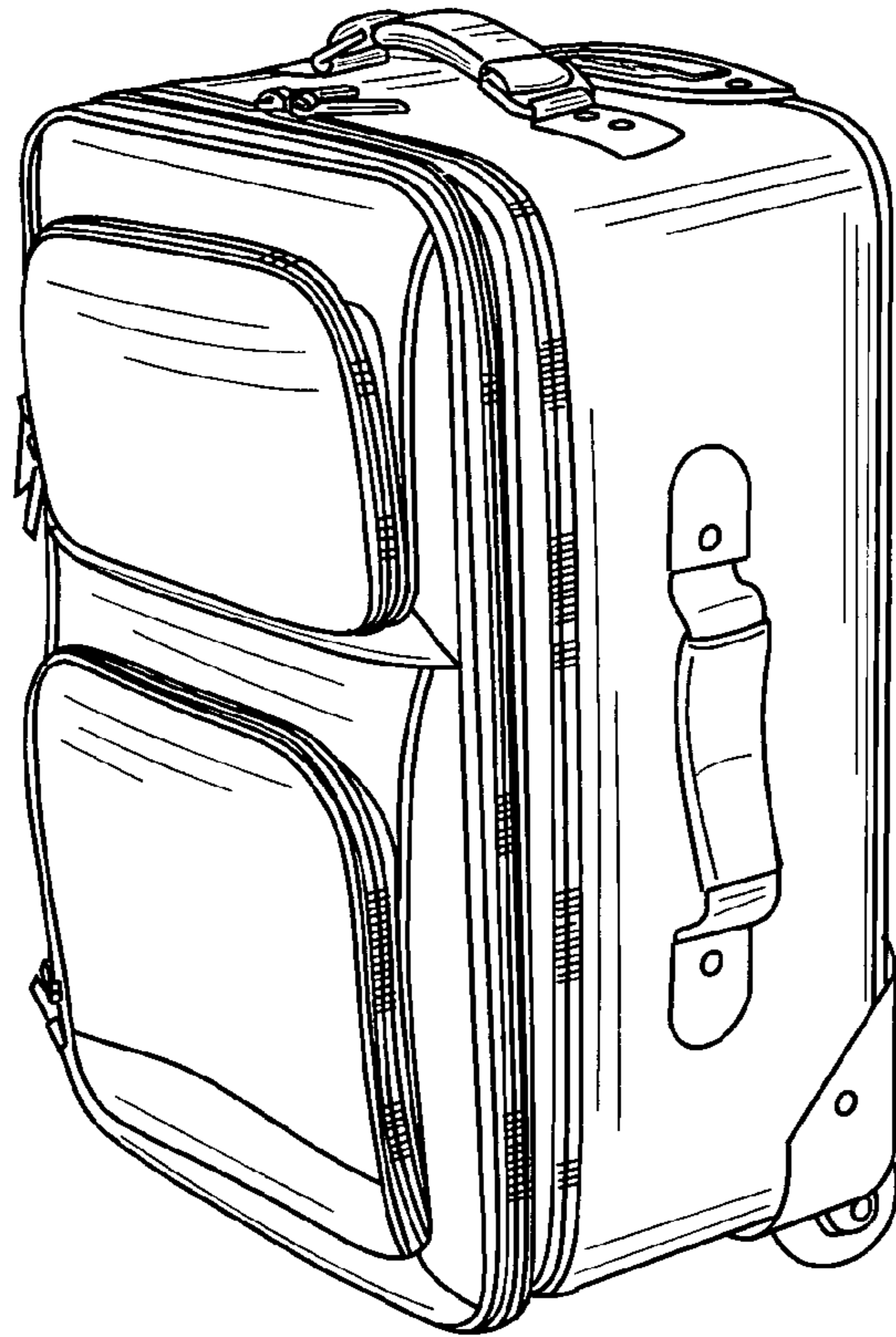


Fig. 1

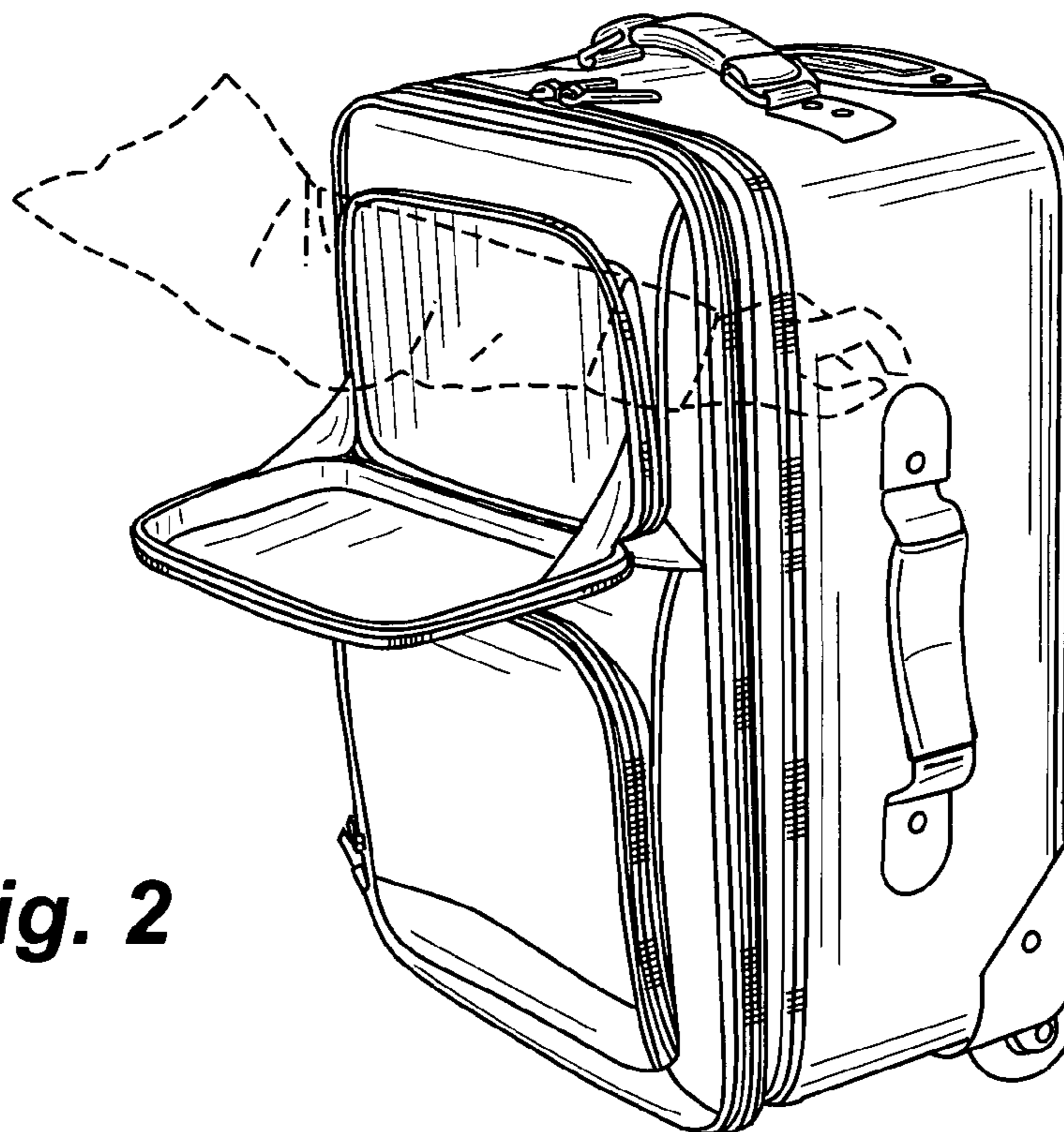


Fig. 2

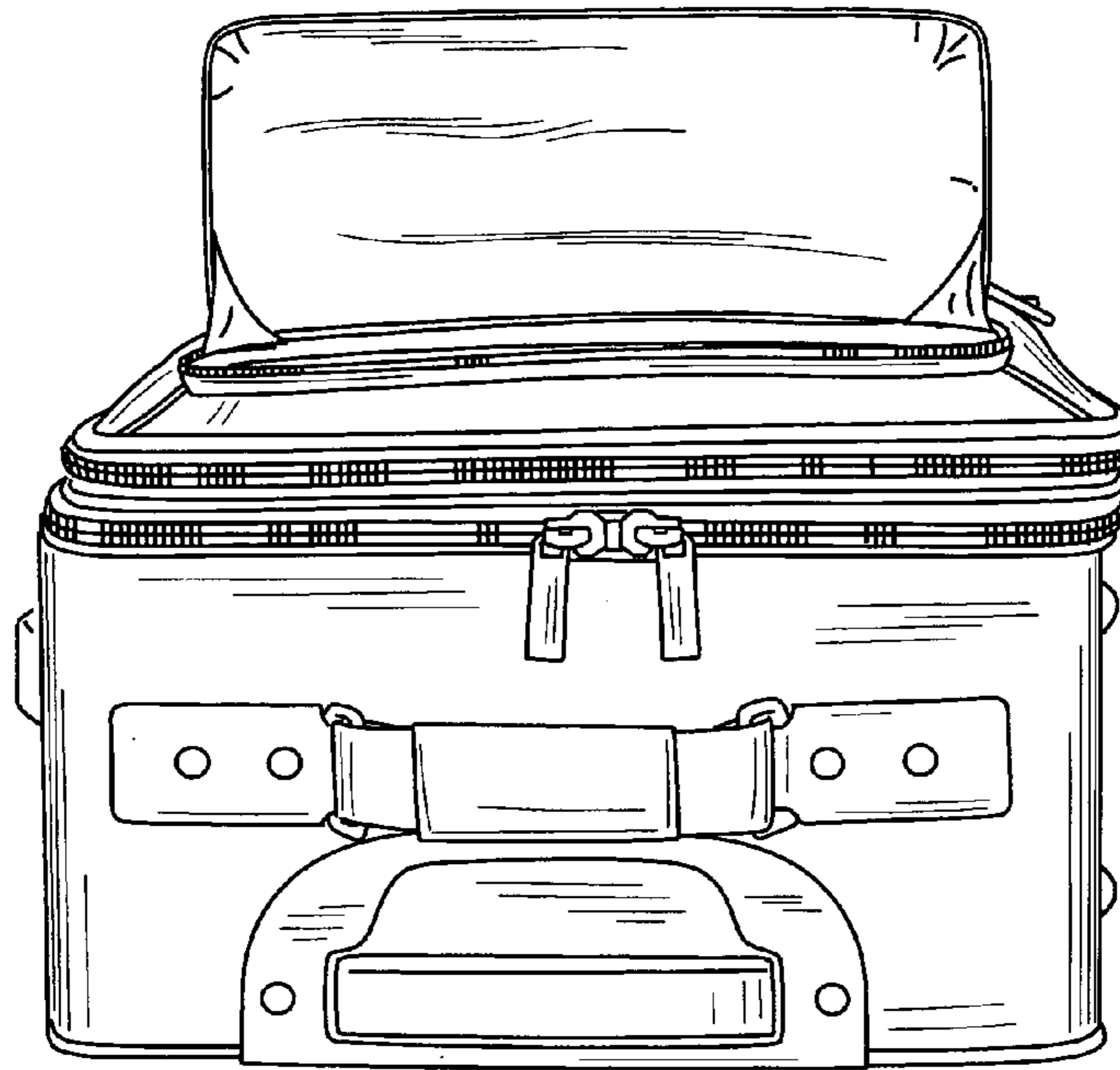


Fig. 3

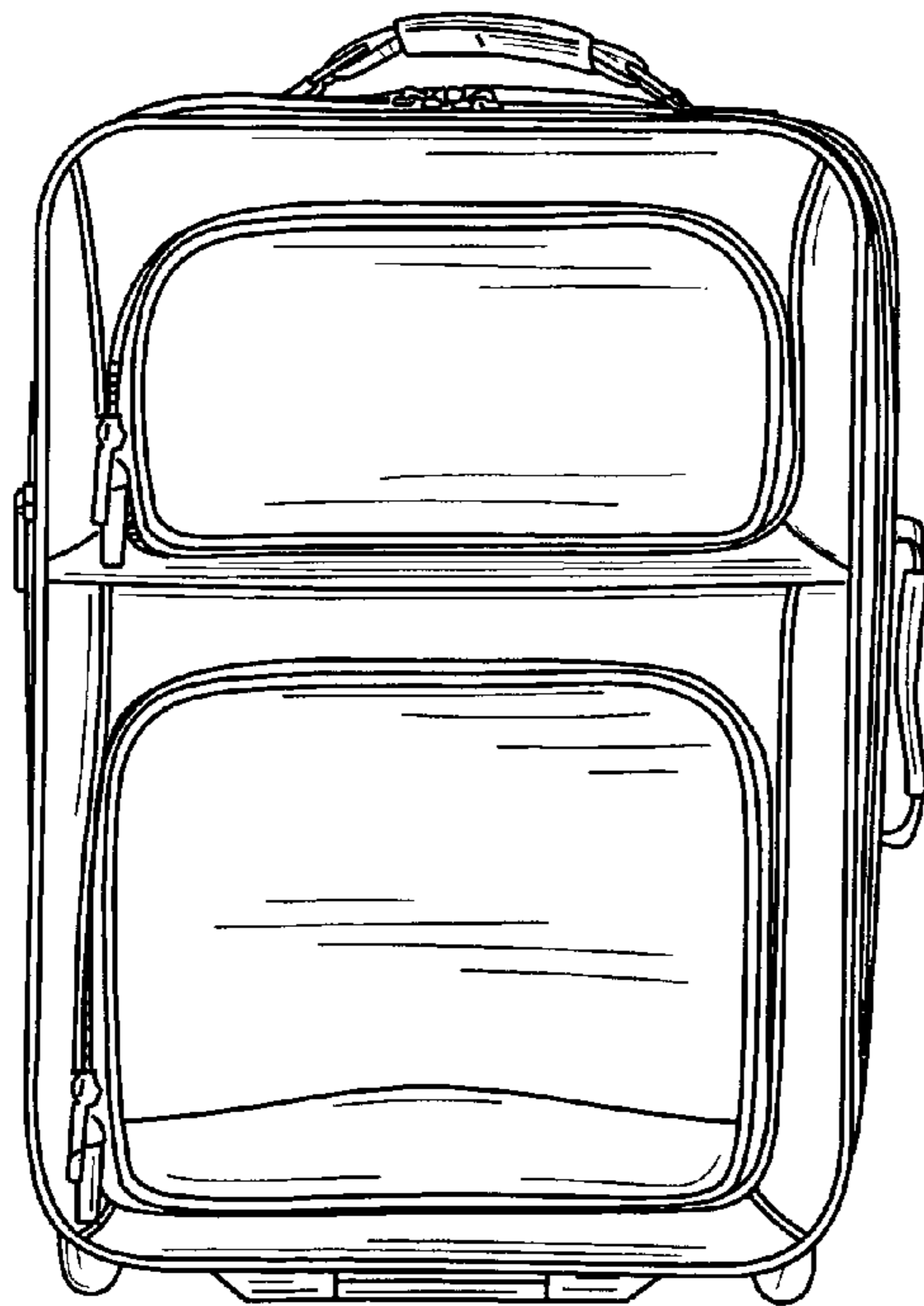


Fig. 4

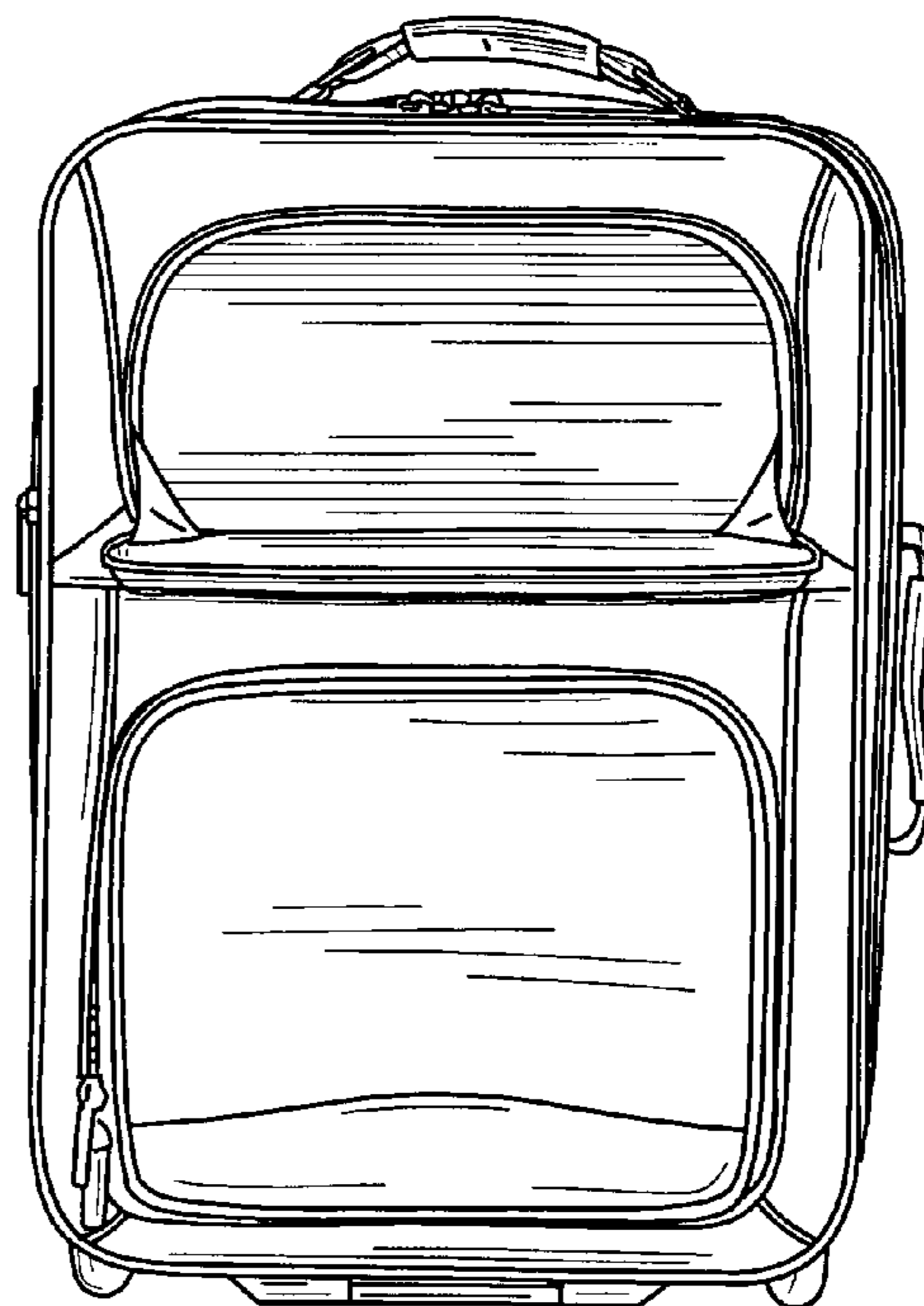


Fig. 5

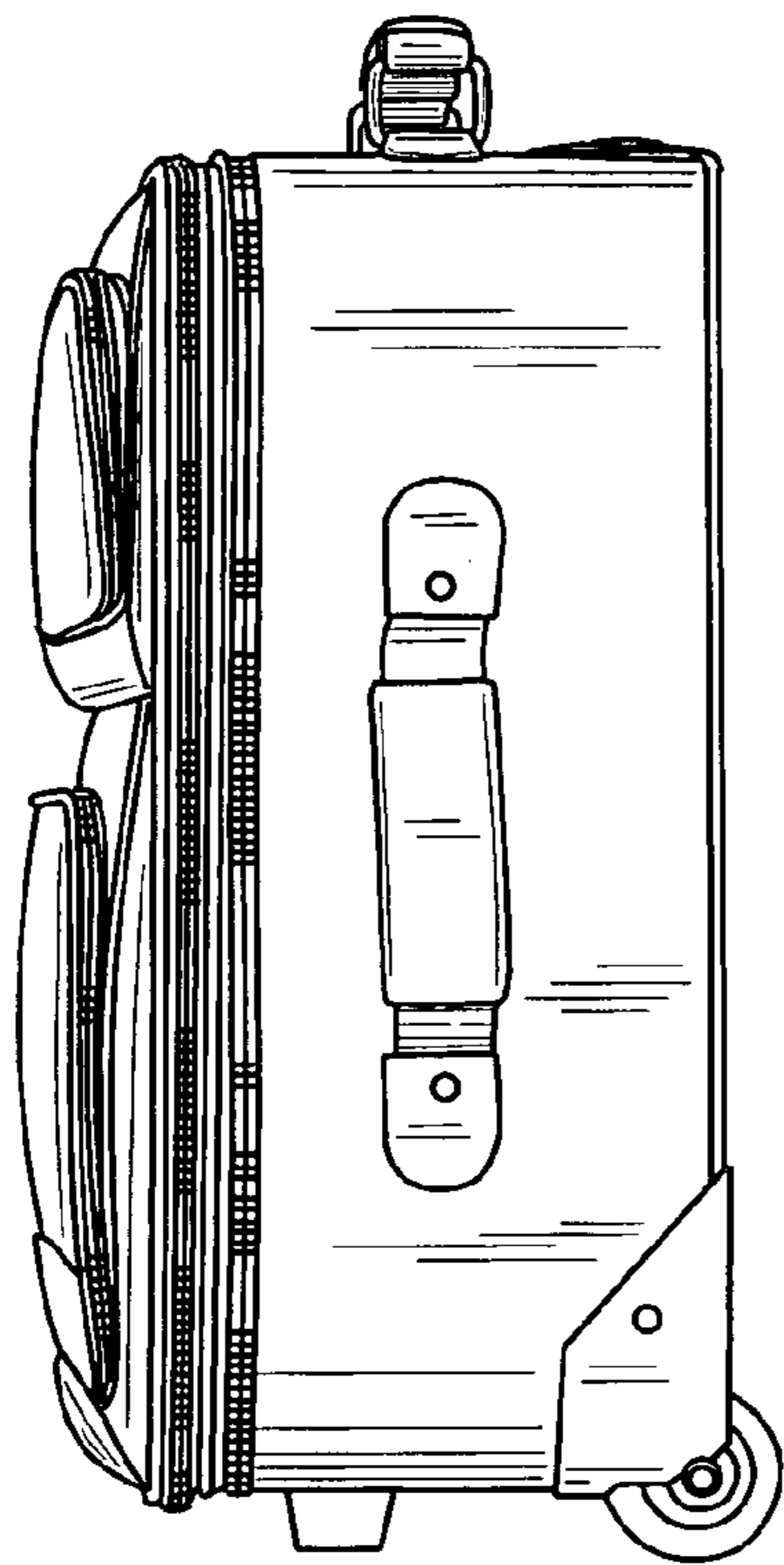


Fig. 6

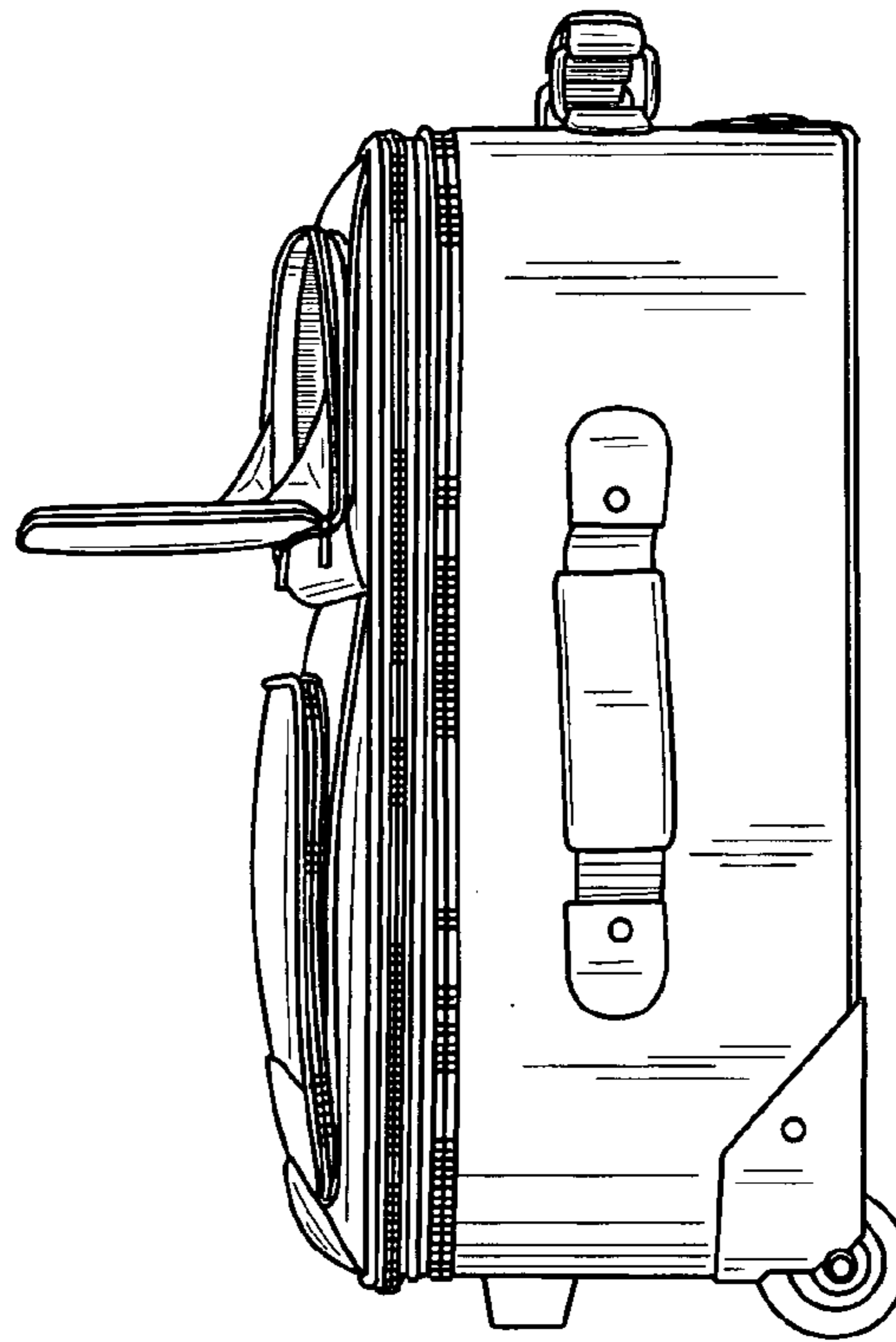


Fig. 7

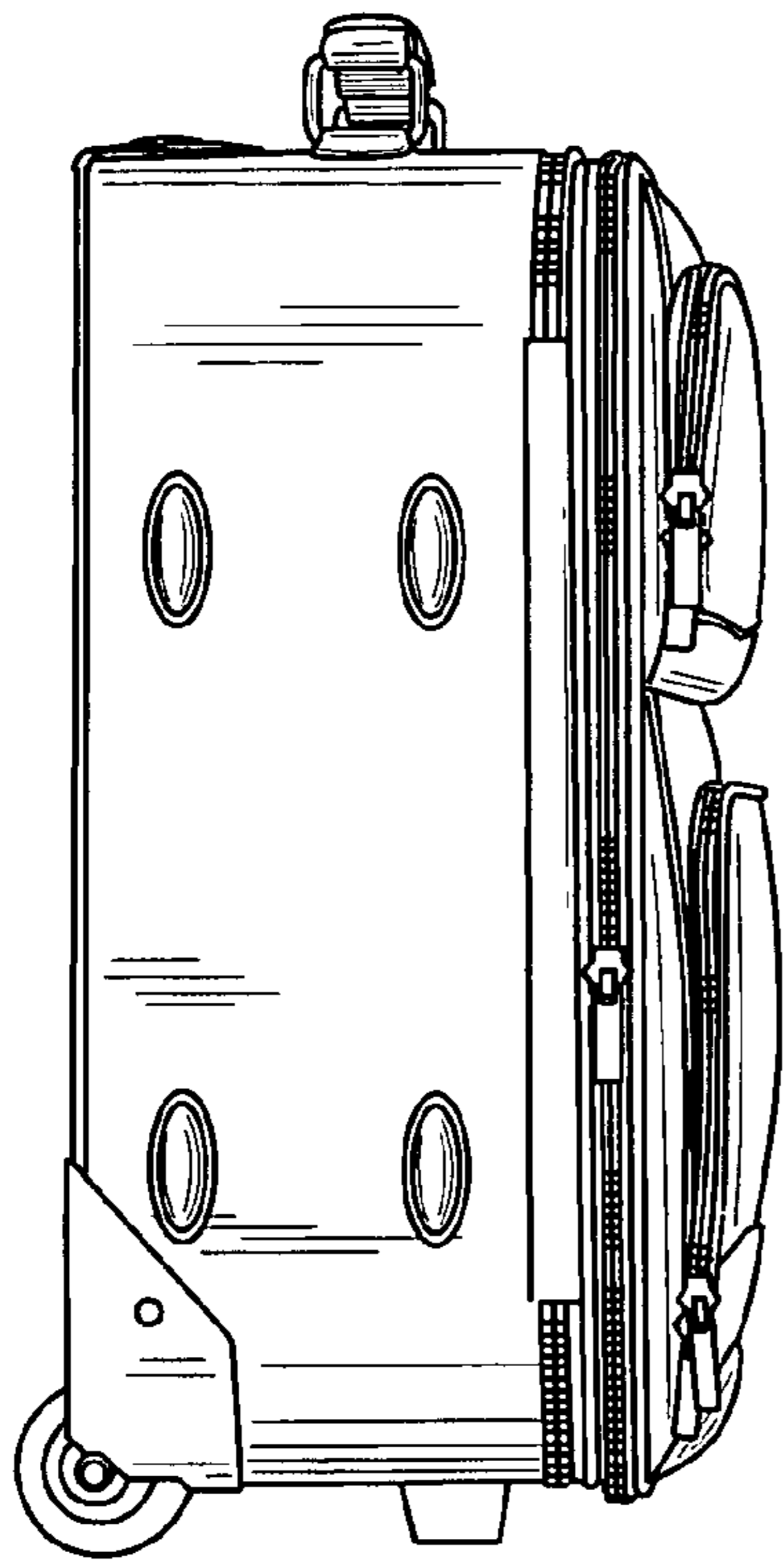


Fig. 8

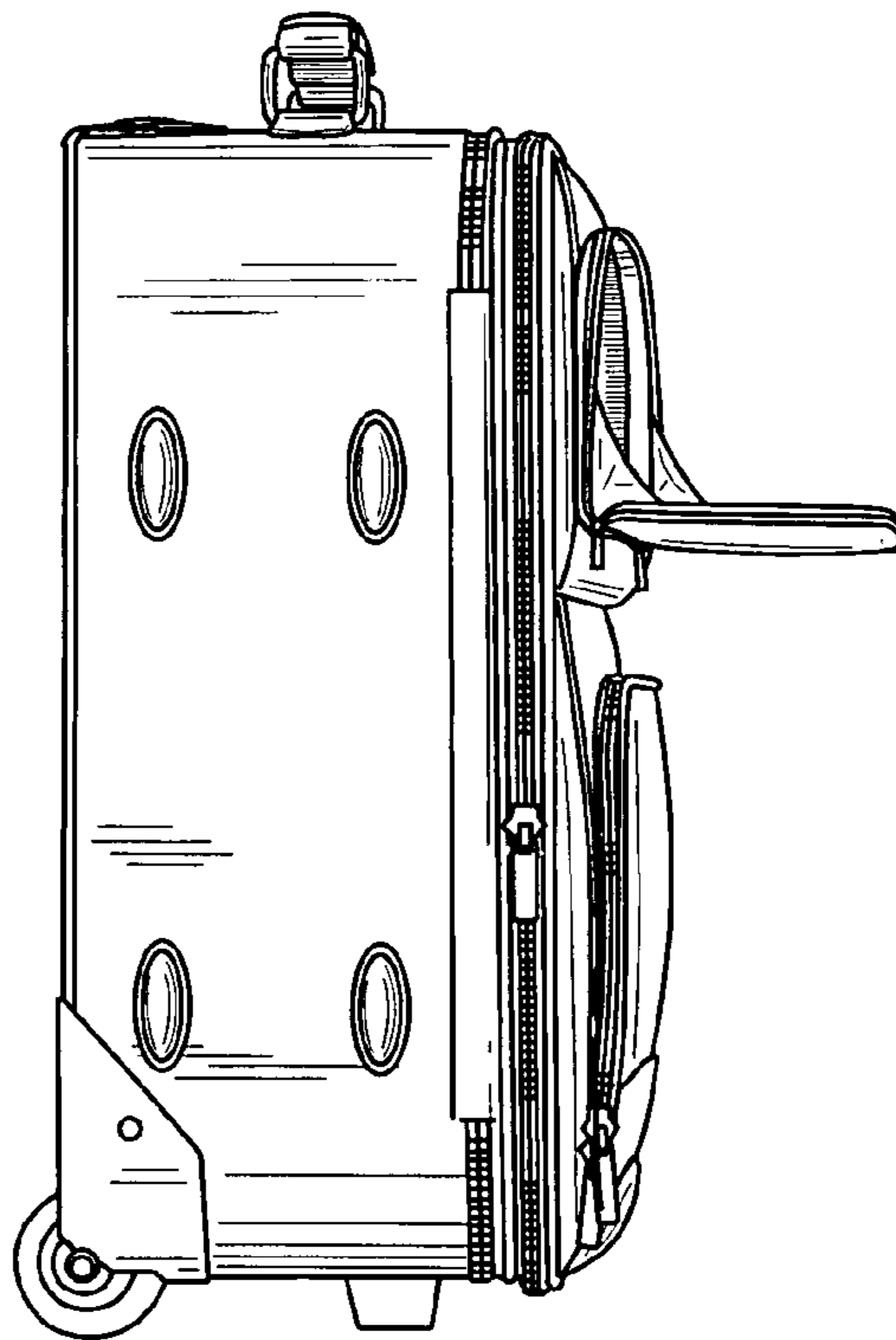


Fig. 9

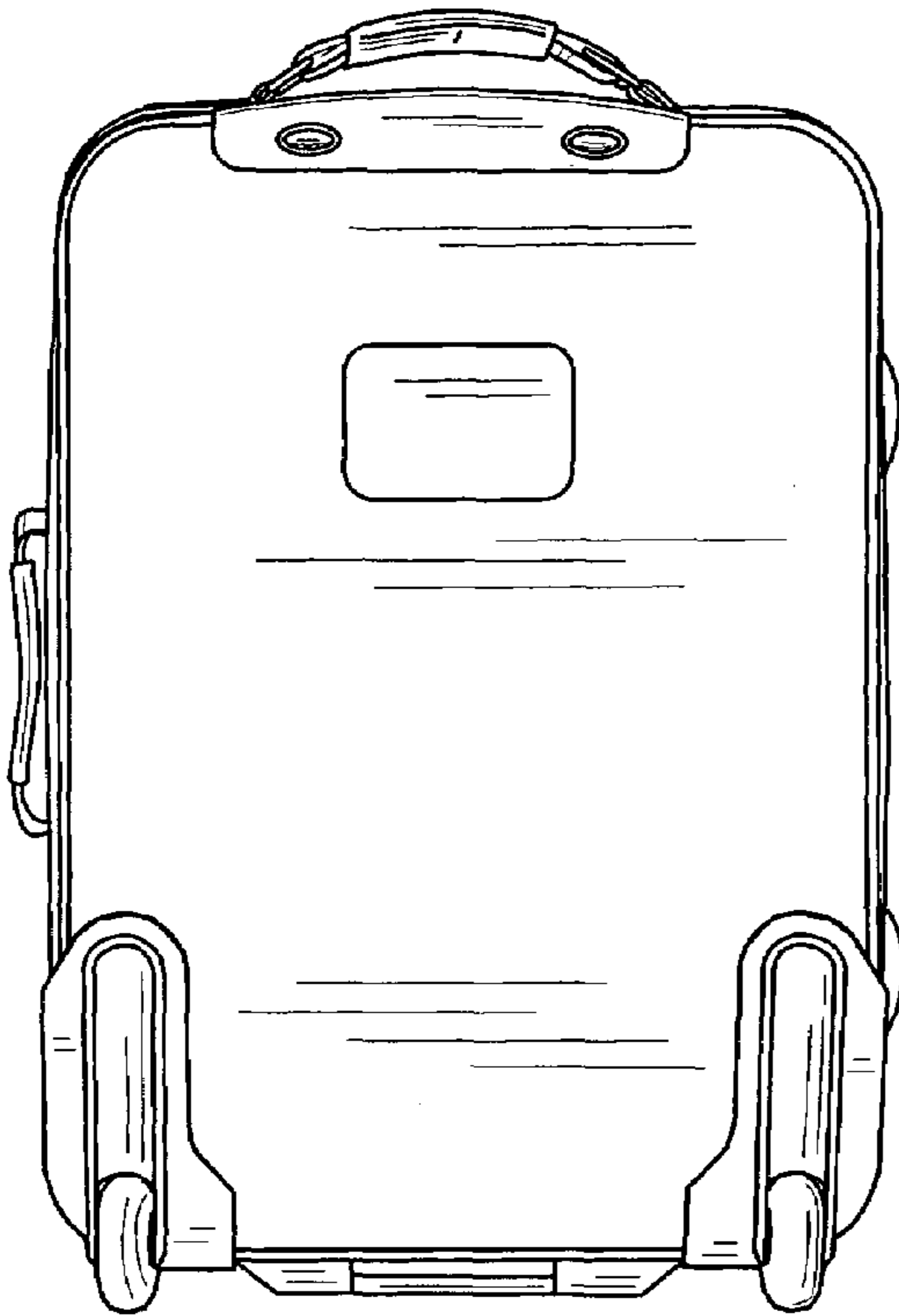


Fig. 10

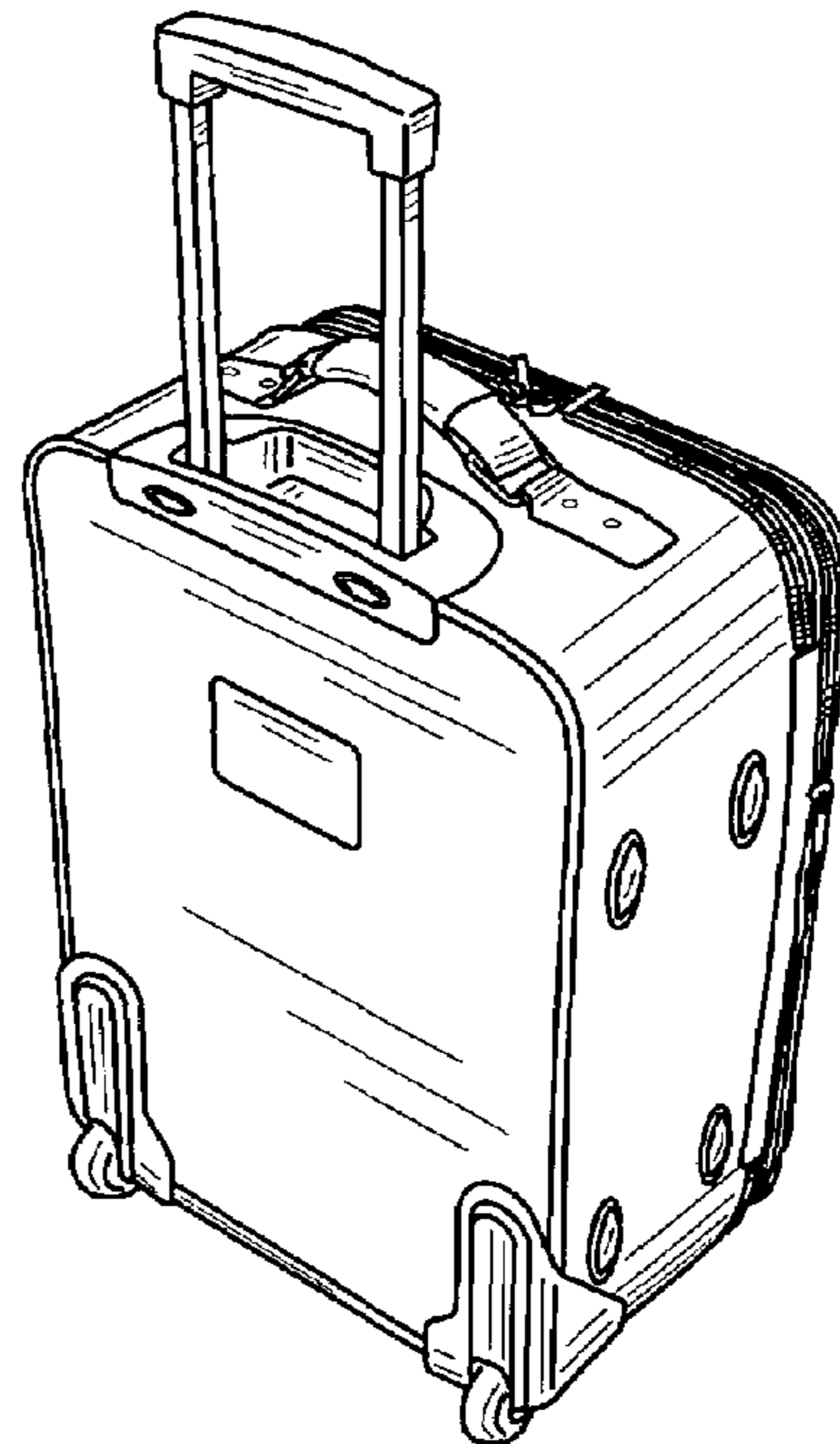


Fig. 12

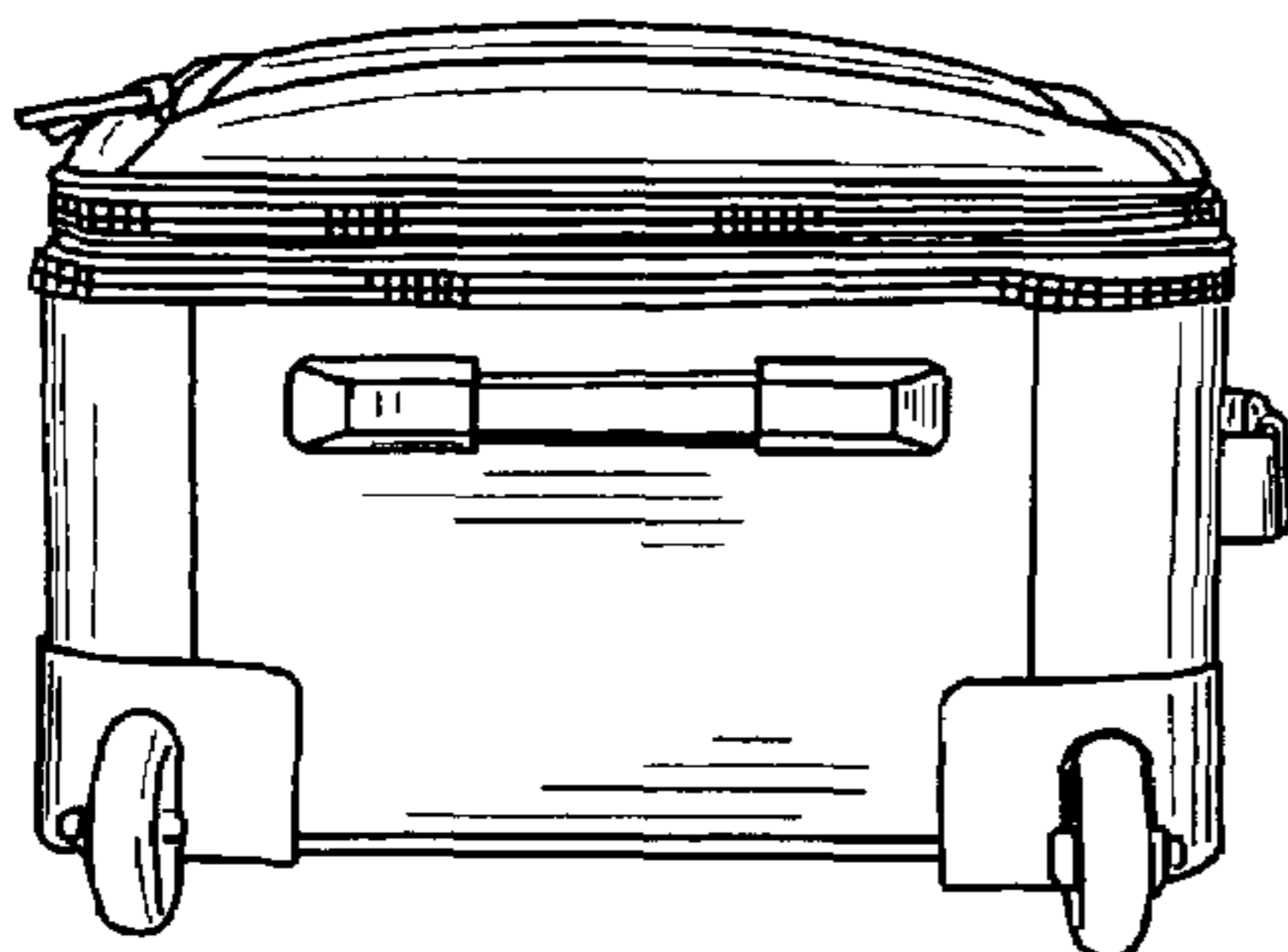


Fig. 11