

US00D597305S

(12) **United States Design Patent**
Gonzalez

(10) **Patent No.:** **US D597,305 S**
(45) **Date of Patent:** **** Aug. 4, 2009**

(54) **HANDBAG**

(75) Inventor: **Alvaro Gonzalez**, Florence (IT)

(73) Assignee: **J. Choo Limited**, London (GB)

(**) Term: **14 Years**

(21) Appl. No.: **29/288,594**

(22) Filed: **Jun. 15, 2007**

(30) **Foreign Application Priority Data**

Jan. 15, 2007 (EM) 000654900-001

(51) **LOC (9) Cl.** **03-01**

(52) **U.S. Cl.** **D3/242**

(58) **Field of Classification Search** D3/232,
D3/233, 234, 238, 239, 240, 241, 243, 245,
D3/246, 303, 318, 319, 321, 322, 323, 324,
D3/325, 326, 900, 902; 150/100, 106, 107,
150/108, 110, 111, 112, 118; 190/100, 106,
190/108, 109, 112, 113, 115, 900, 902, 903;
383/6, 25, 37, 38, 41, 42, 120

See application file for complete search history.

(56) **References Cited**

U.S. PATENT DOCUMENTS

D94,871 S * 3/1935 Cesario D3/243
2,517,923 A * 8/1950 Pottel et al. 150/129
D163,726 S * 6/1951 Wiggin D3/243
4,074,740 A * 2/1978 Anderson 150/106
D268,304 S 3/1983 Schimmel
5,749,447 A * 5/1998 Hersh et al. 190/112
D537,626 S 3/2007 Ghesquiere
2007/0107652 A1 * 5/2007 Michida 150/106

FOREIGN PATENT DOCUMENTS

JP 411253593 9/1999

OTHER PUBLICATIONS

Vintage bag, undated photograph.
U.S. Appl. No. 29/288,601, filed Jun. 15, 2007.
U.S. Appl. No. 29/288,595, filed Jun. 15, 2007.
Stone Mountain, Oakland Rounded Hobo, printed Apr. 6, 2007 from ebags.com website.
Tods Handbag, Micky Deer Skin, printed Apr. 6, 2007 from handbagcrew.com.

* cited by examiner

Primary Examiner—T. Chase Nelson
Assistant Examiner—Kathleen M Sims
(74) *Attorney, Agent, or Firm*—Fross Zelnick Lehrman & Zissu, P.C.; Lawrence E. Apolzon, Esq.

(57) **CLAIM**

The ornamental design for a handbag, as shown and described.

DESCRIPTION

FIG. 1 is a front perspective view of a handbag showing my new design;

FIG. 2 is a front view thereof;

FIG. 3 is a rear view thereof;

FIG. 4 is a right side view thereof;

FIG. 5 is a left side view thereof;

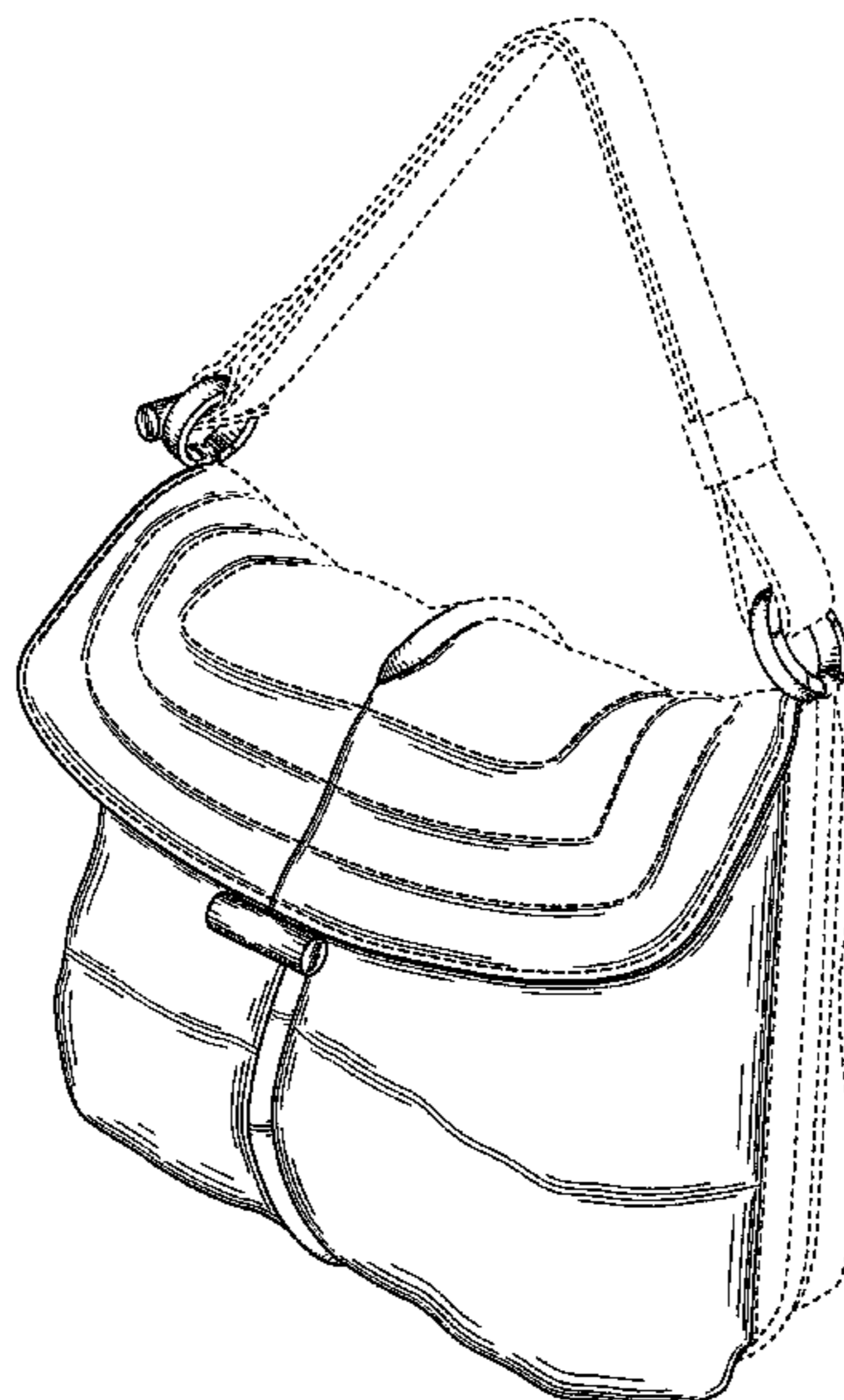
FIG. 6 is a top view thereof; and,

FIG. 7 is a bottom view thereof.

The broken line showing of a handle, rear of bag, bottom strap, rivets, and wrap around piece is included for the purpose of showing environmental portions of the handbag and form no part of the claimed design.

The four rows of evenly spaced dashed lines shown on the top flap of the handbag in FIGS. 1, 2, and 7 represent conventional stitching.

1 Claim, 7 Drawing Sheets



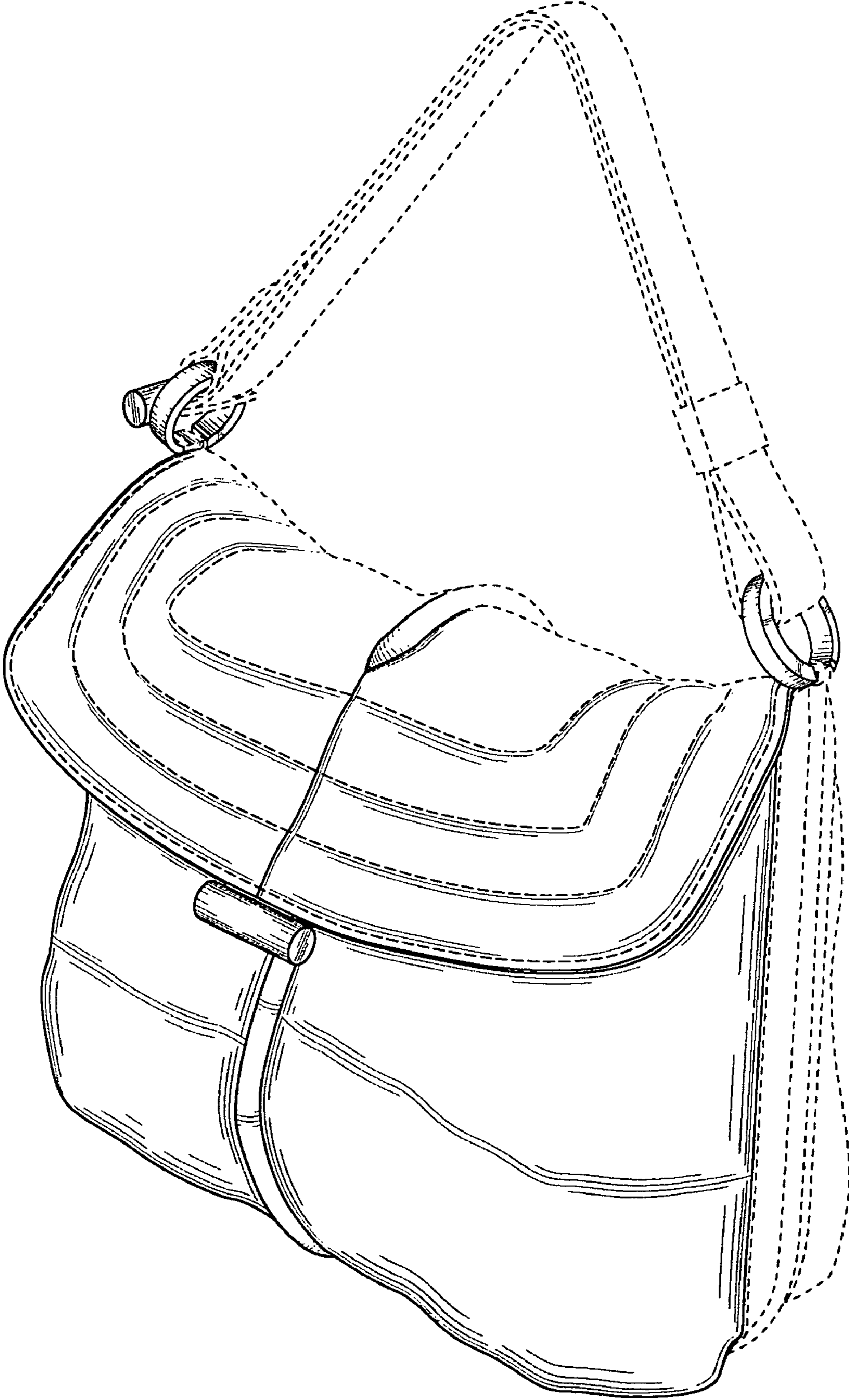


FIG. 1

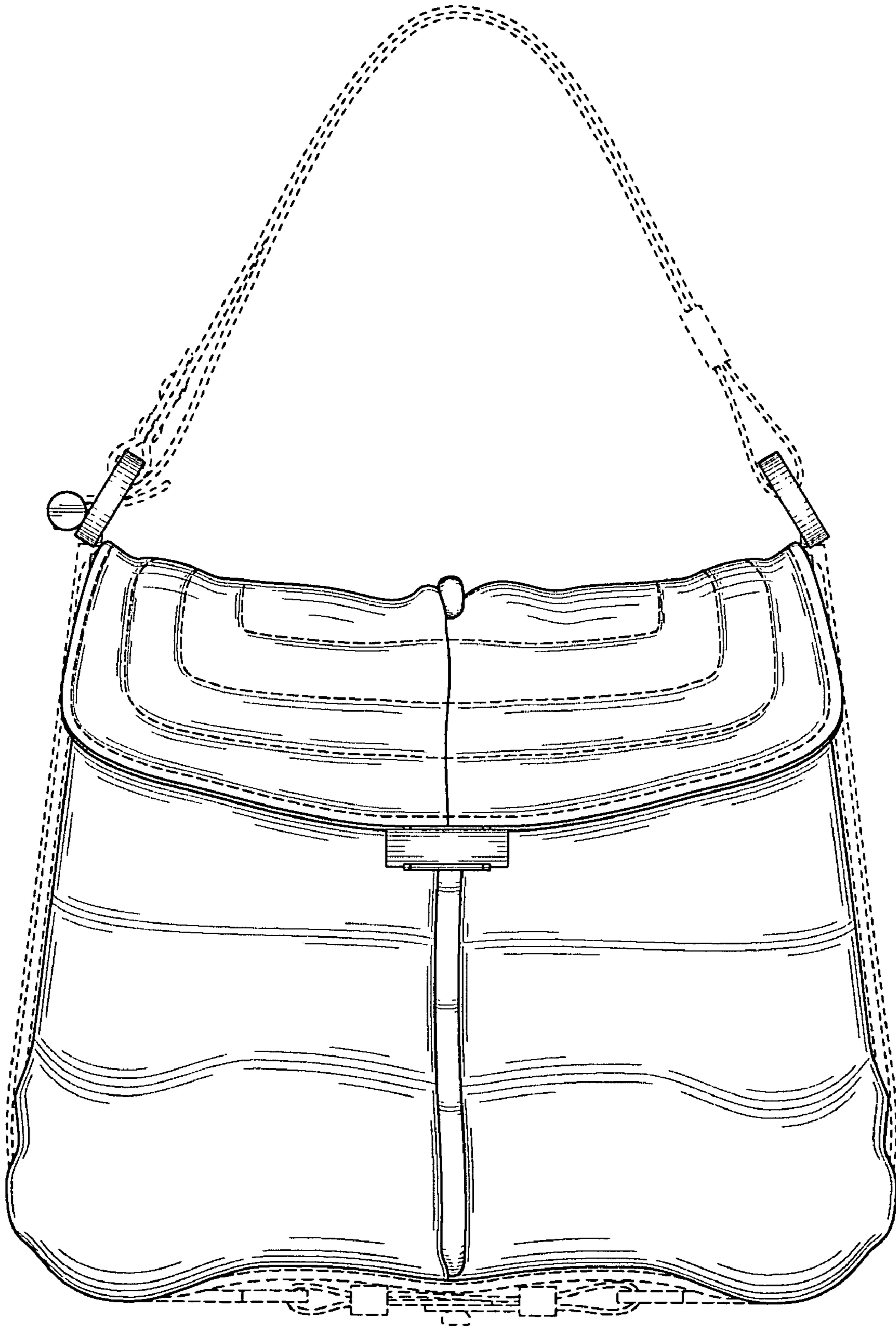


FIG. 2

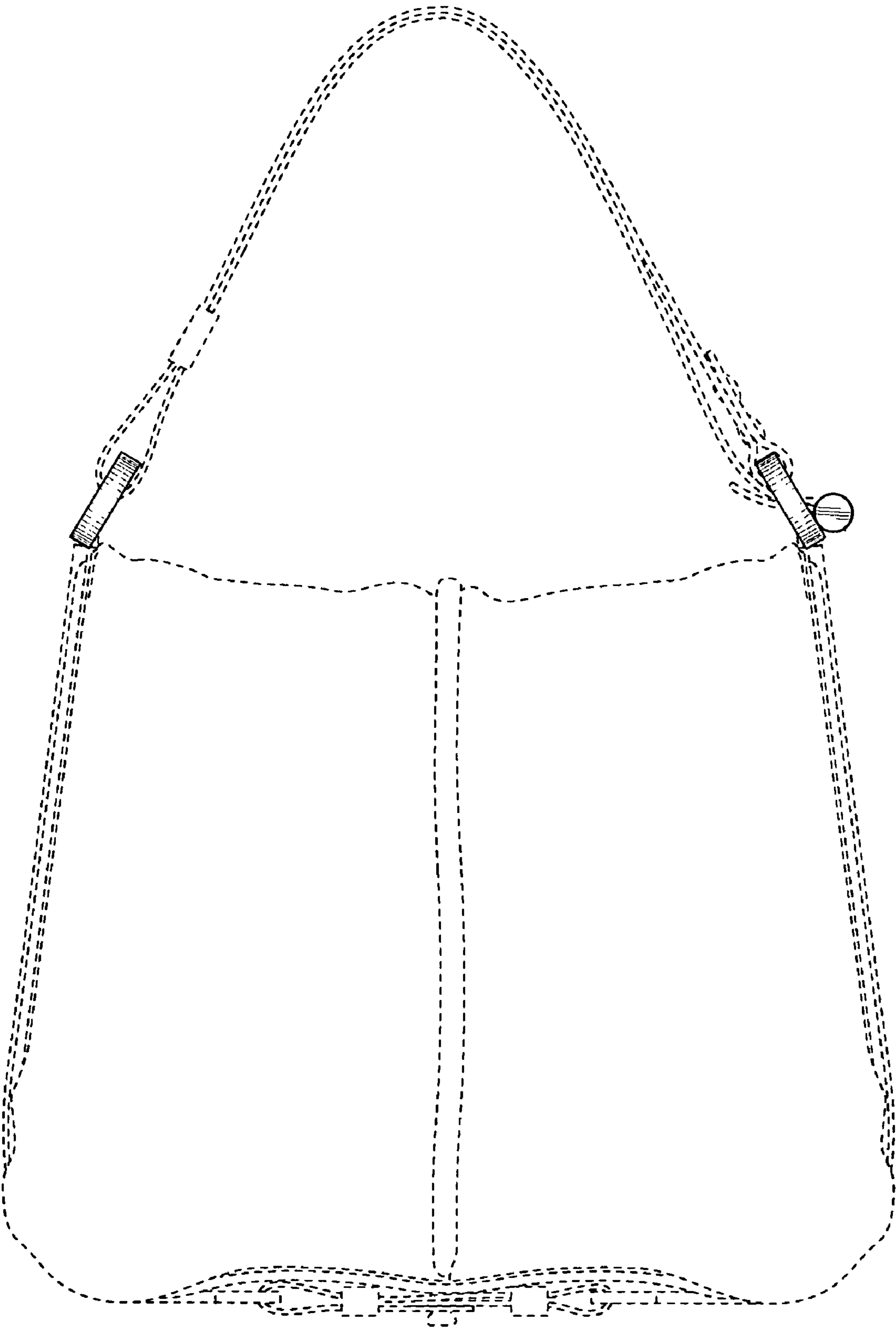


FIG. 3

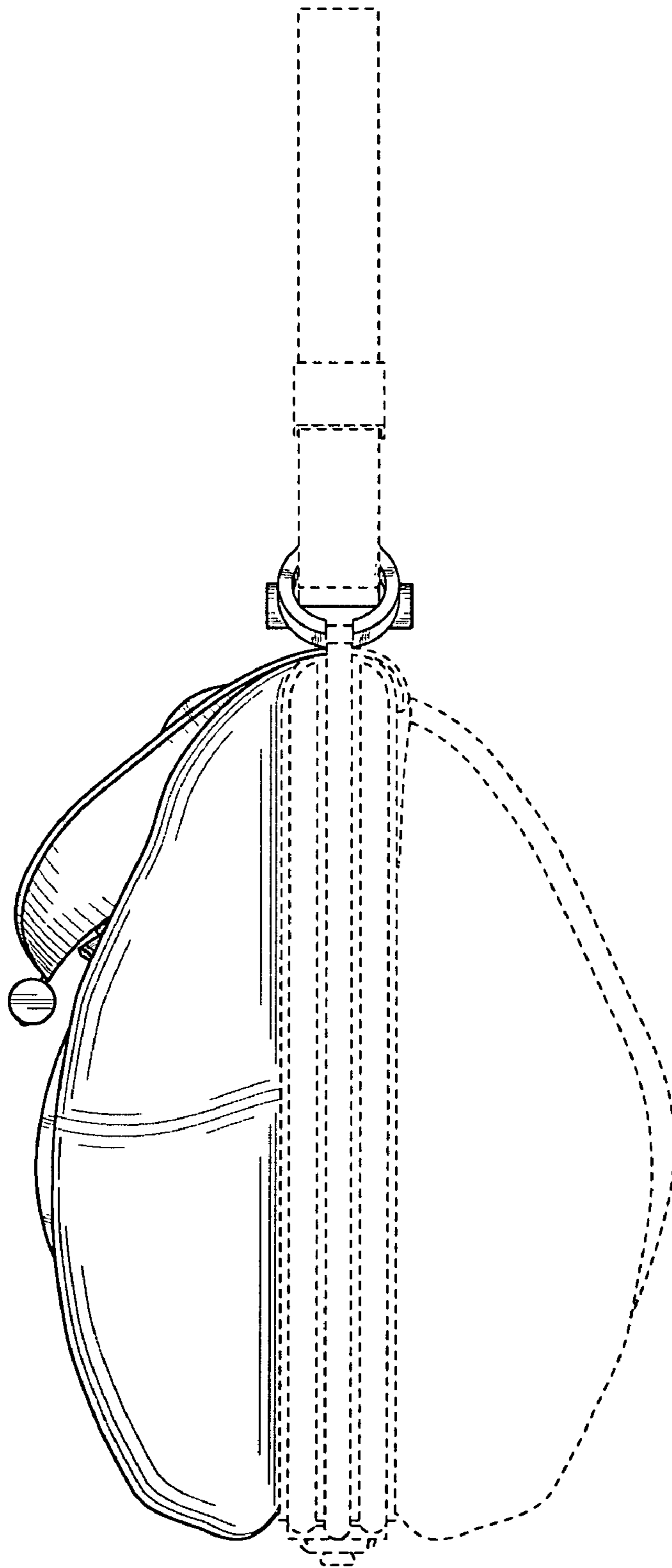


FIG. 4

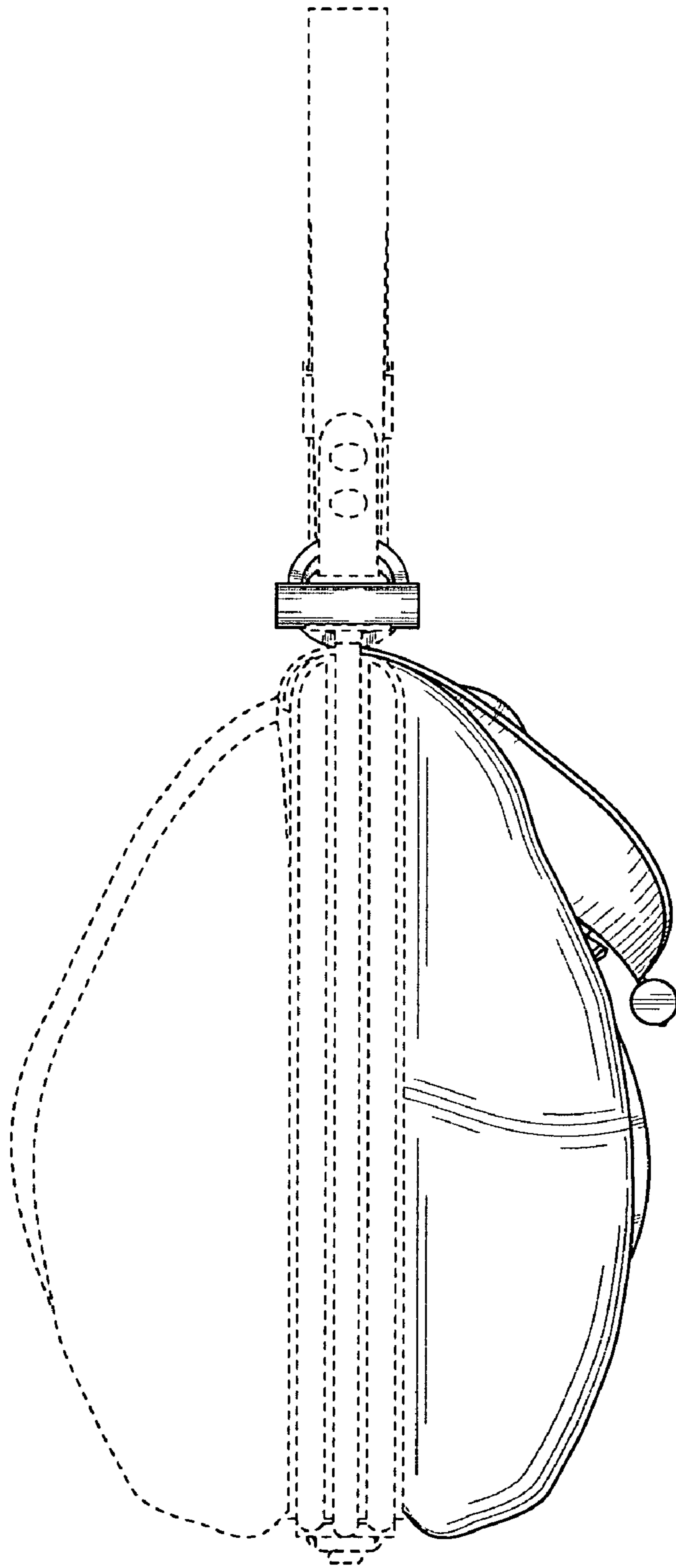


FIG. 5

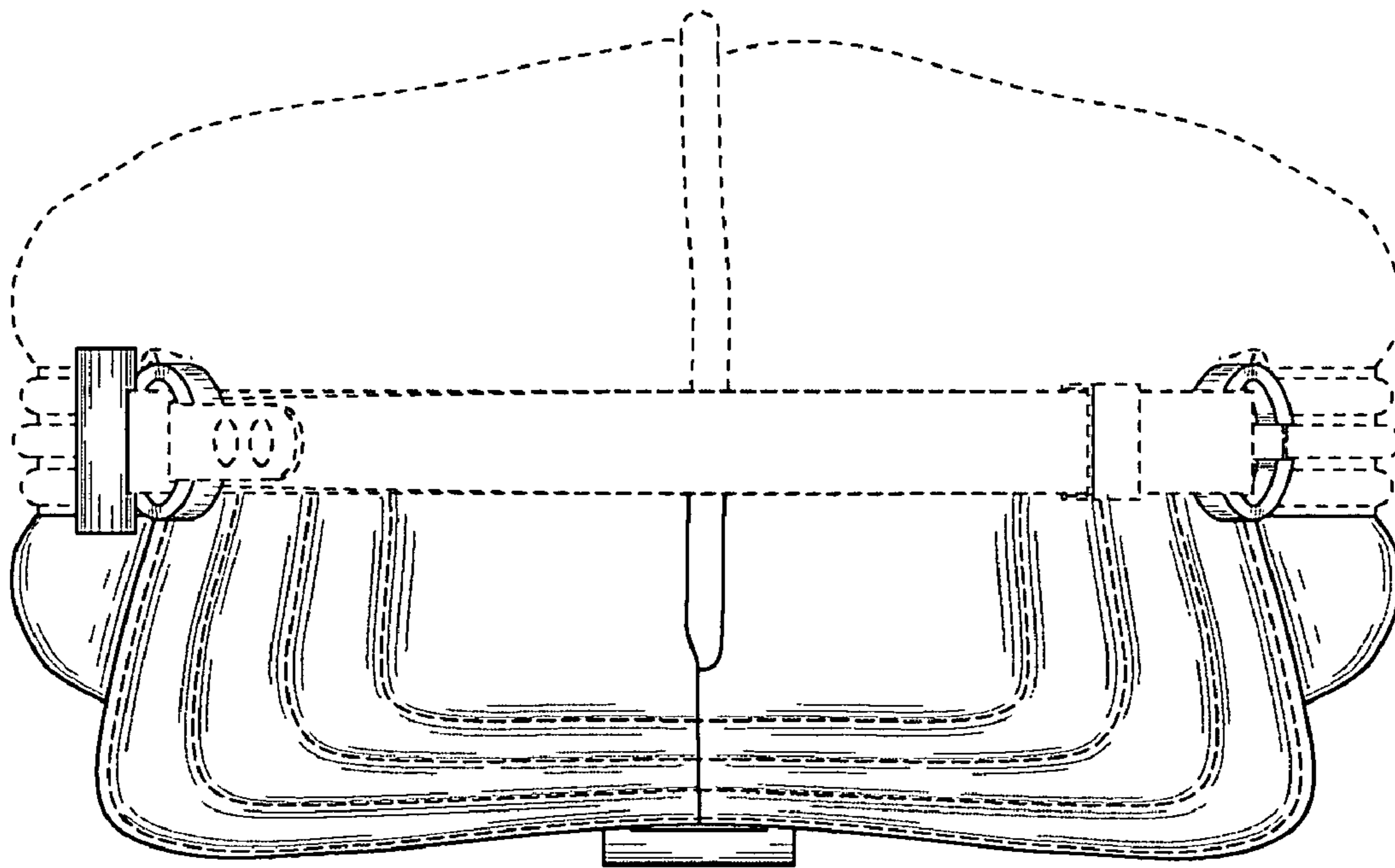


FIG. 6

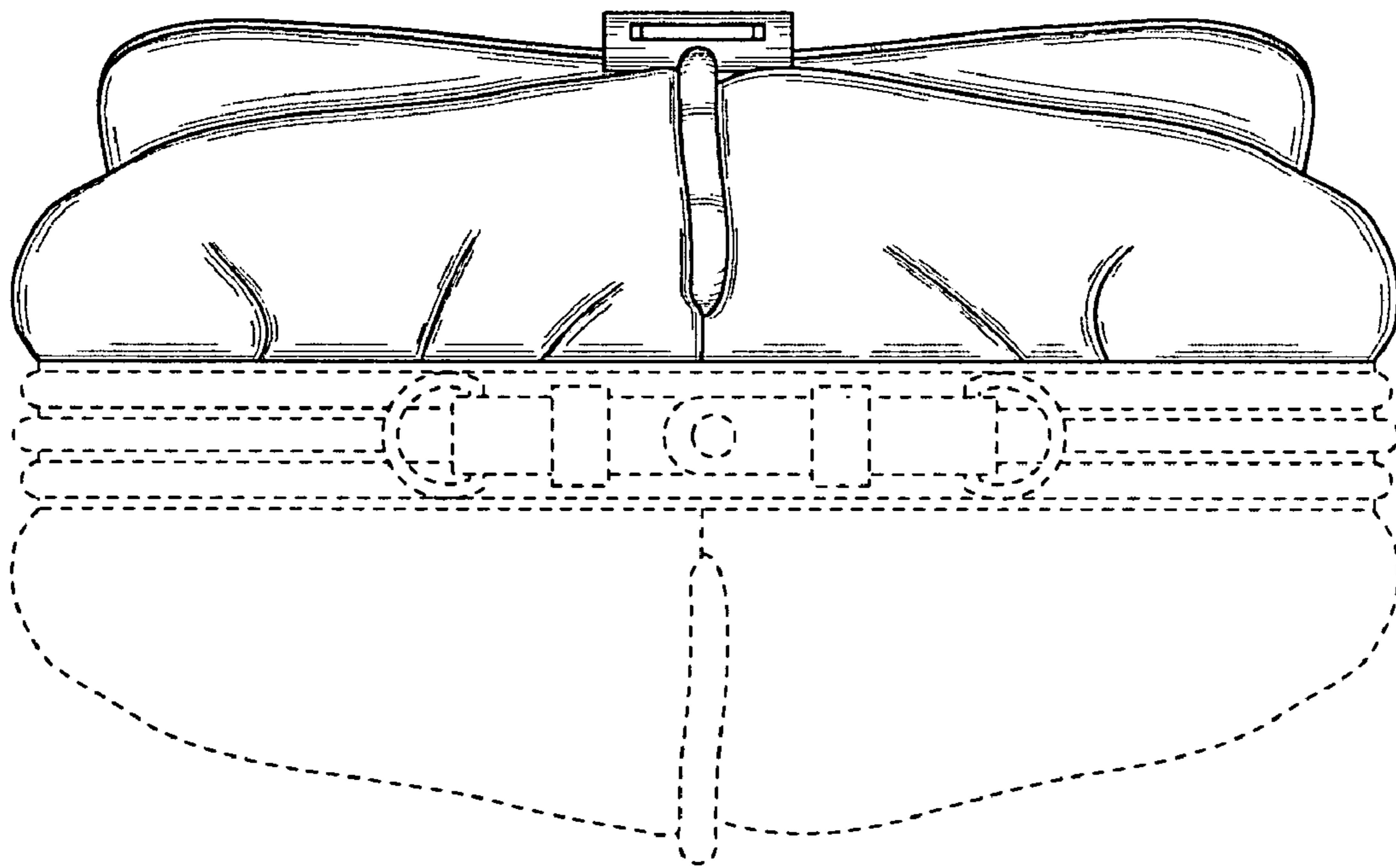


FIG. 7