



US00D597302S

(12) **United States Design Patent**  
**Adams et al.**

(10) **Patent No.:** **US D597,302 S**

(45) **Date of Patent:** **\*\* Aug. 4, 2009**

(54) **INFORMATION TABLET**

(75) Inventors: **Brian Adams**, Spokane, WA (US); **Eric Sachs**, Rossland (CA)

(73) Assignee: **Blackhawk Industries Product Group Unlimited LLC**, Norfolk, VA (US)

(\*\*) Term: **14 Years**

(21) Appl. No.: **29/294,911**

(22) Filed: **Feb. 2, 2008**

(51) **LOC (9) Cl.** ..... **03-01**

(52) **U.S. Cl.** ..... **D3/227**

(58) **Field of Classification Search** ..... D3/227,  
D3/215; 224/219, 22-222, 267, 269, 164,  
224/901; 40/586, 633, 665, 904; 206/38.1  
See application file for complete search history.

(56) **References Cited**

**U.S. PATENT DOCUMENTS**

|               |         |           |       |         |
|---------------|---------|-----------|-------|---------|
| D218,002 S *  | 7/1970  | Cobbs     | ..... | D3/227  |
| D320,307 S *  | 10/1991 | Walasek   | ..... | D3/227  |
| 5,170,917 A * | 12/1992 | Tourigny  | ..... | 224/221 |
| D335,023 S *  | 4/1993  | Hutcheson | ..... | D3/227  |
| D341,488 S *  | 11/1993 | Walasek   | ..... | D3/227  |
| 5,657,201 A * | 8/1997  | Kochis    | ..... | 224/219 |

\* cited by examiner

*Primary Examiner*—Catherine R Oliver

(74) *Attorney, Agent, or Firm*—Bowman Green Hampton & Kelly PLLC

(57) **CLAIM**

The ornamental design for information tablet, as shown and described.

**DESCRIPTION**

FIG. 1 is a left perspective view of the information tablet, showing our new design;

FIG. 2 is a top view thereof;

FIG. 3 is a right side thereof;

FIG. 4 is a rear elevational view thereof;

FIG. 5 is a front elevational view thereof;

FIG. 6 is a right perspective view thereof showing the cover in an open position;

FIG. 7 is a top view thereof showing the cover in an open position;

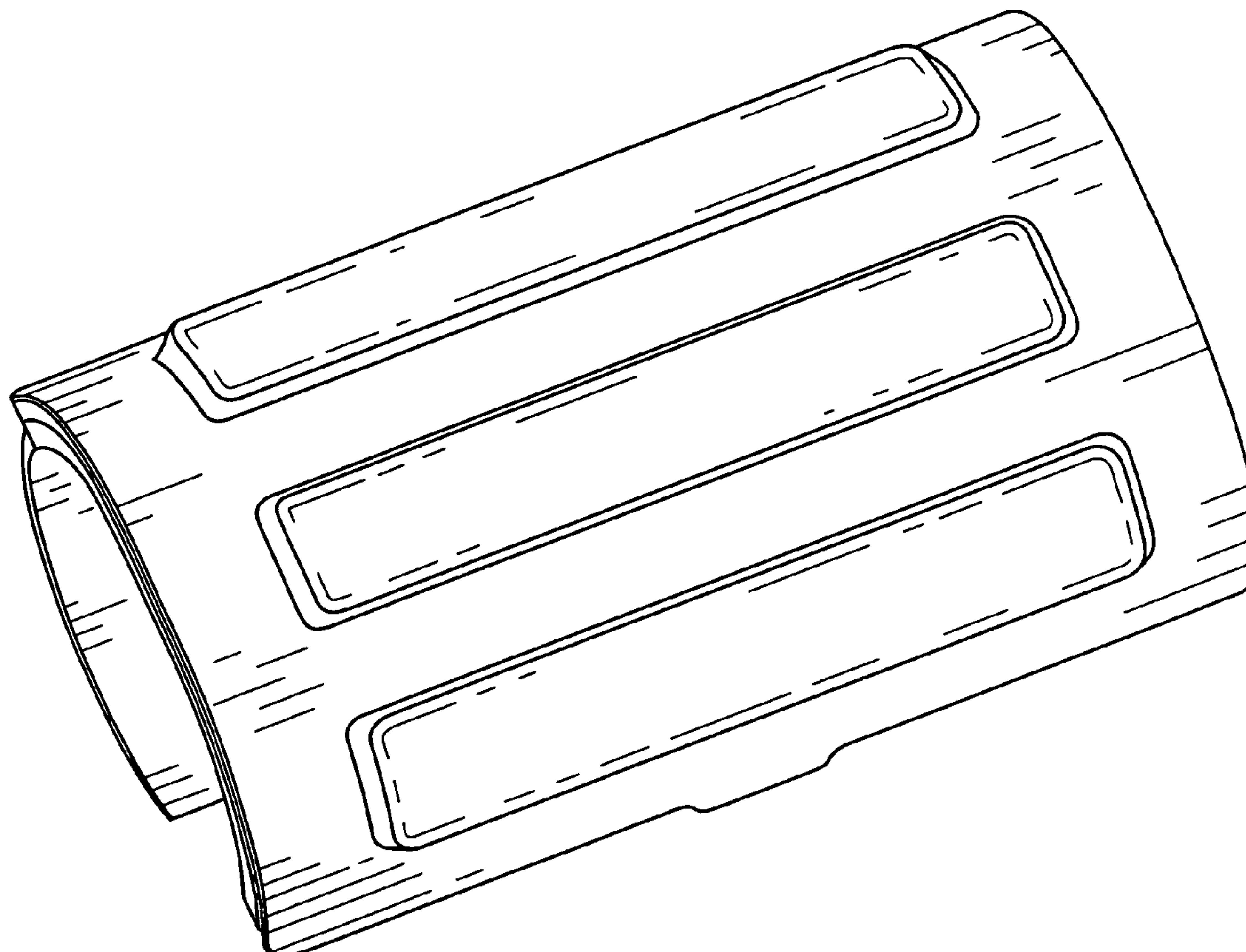
FIG. 8 is a bottom right perspective view thereof;

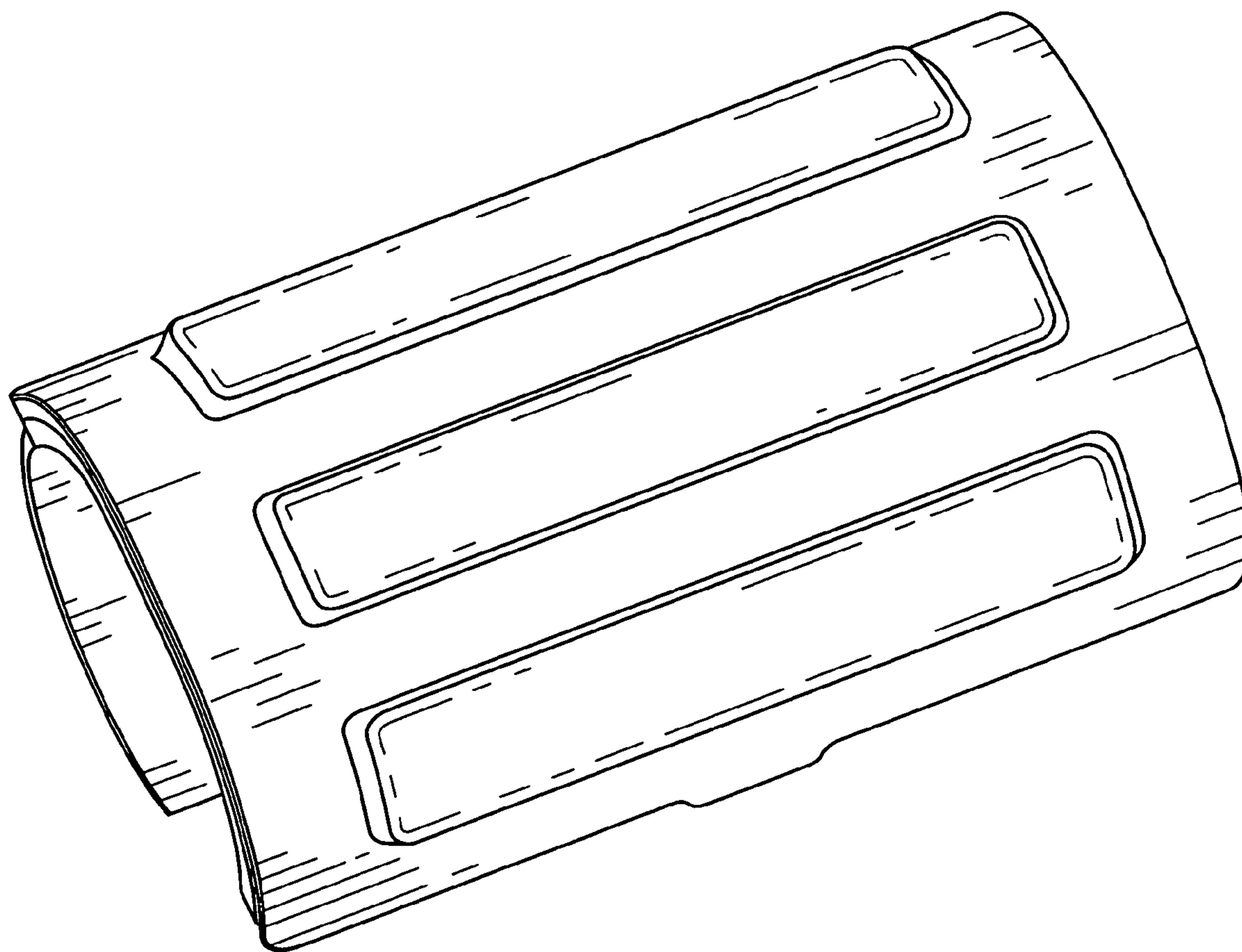
FIG. 9 is a rear left perspective view of the base thereof;

FIG. 10 is a bottom perspective view of the cover thereof; and,

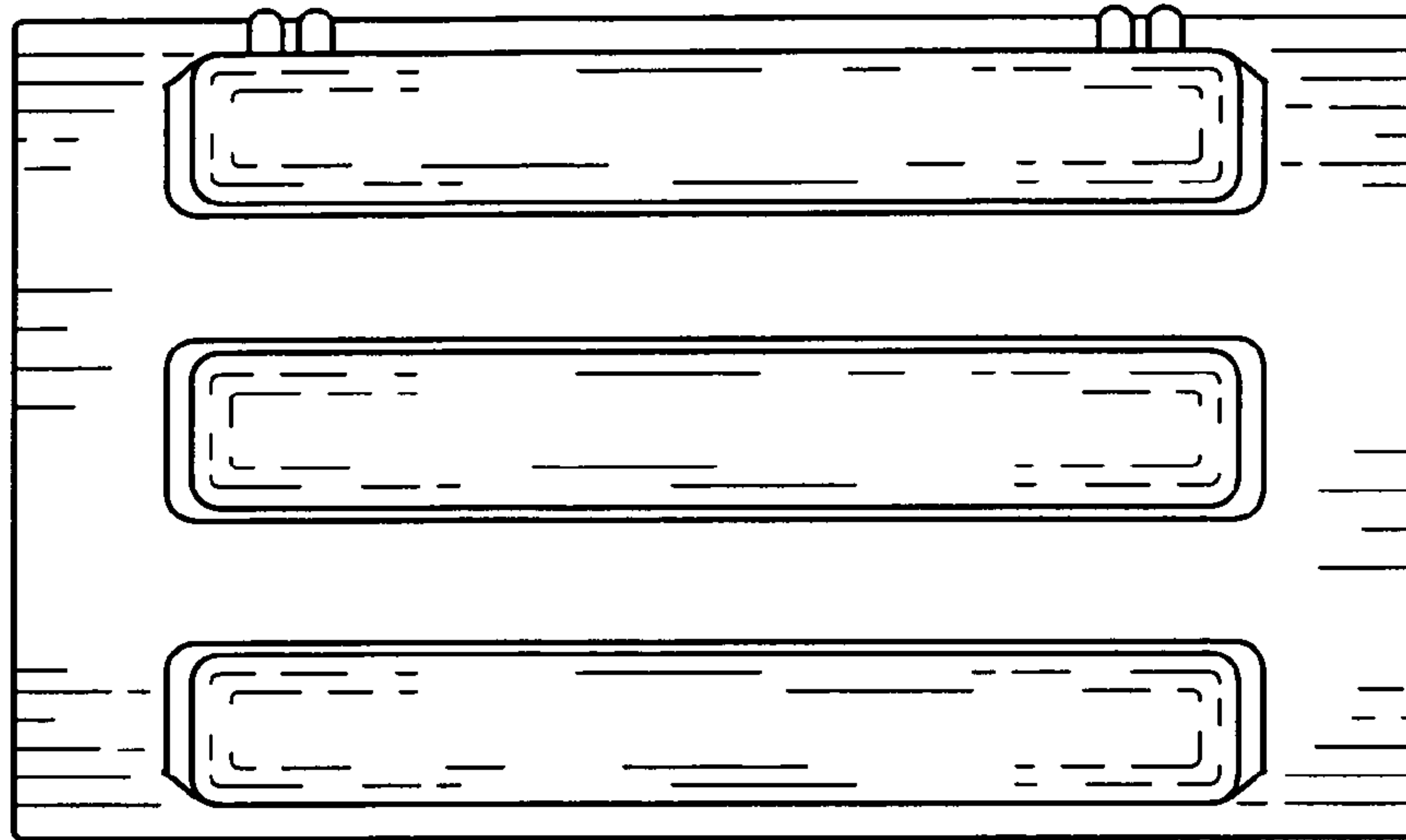
FIG. 11 is a bottom left rear perspective view of the base thereof.

**1 Claim, 6 Drawing Sheets**

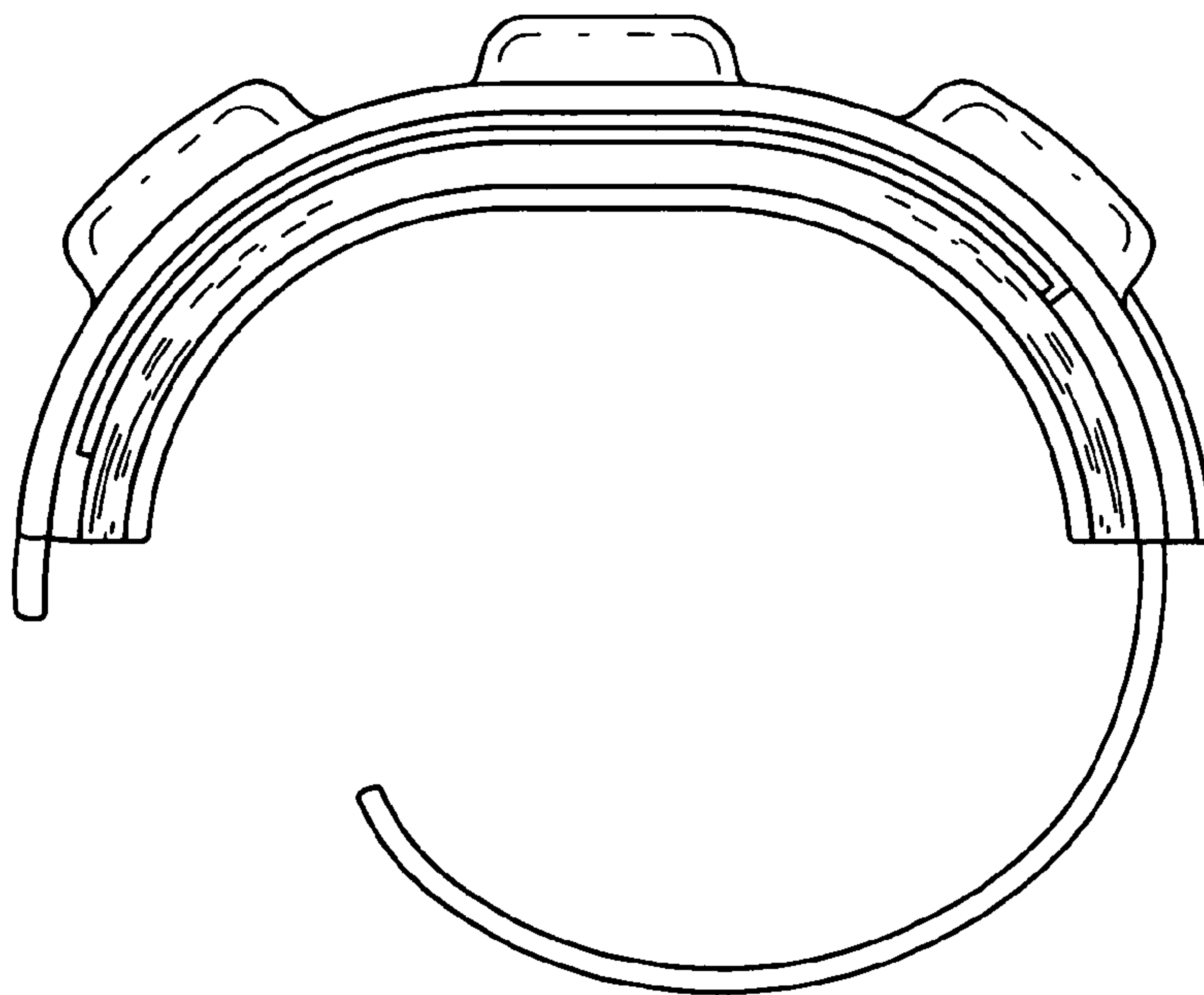




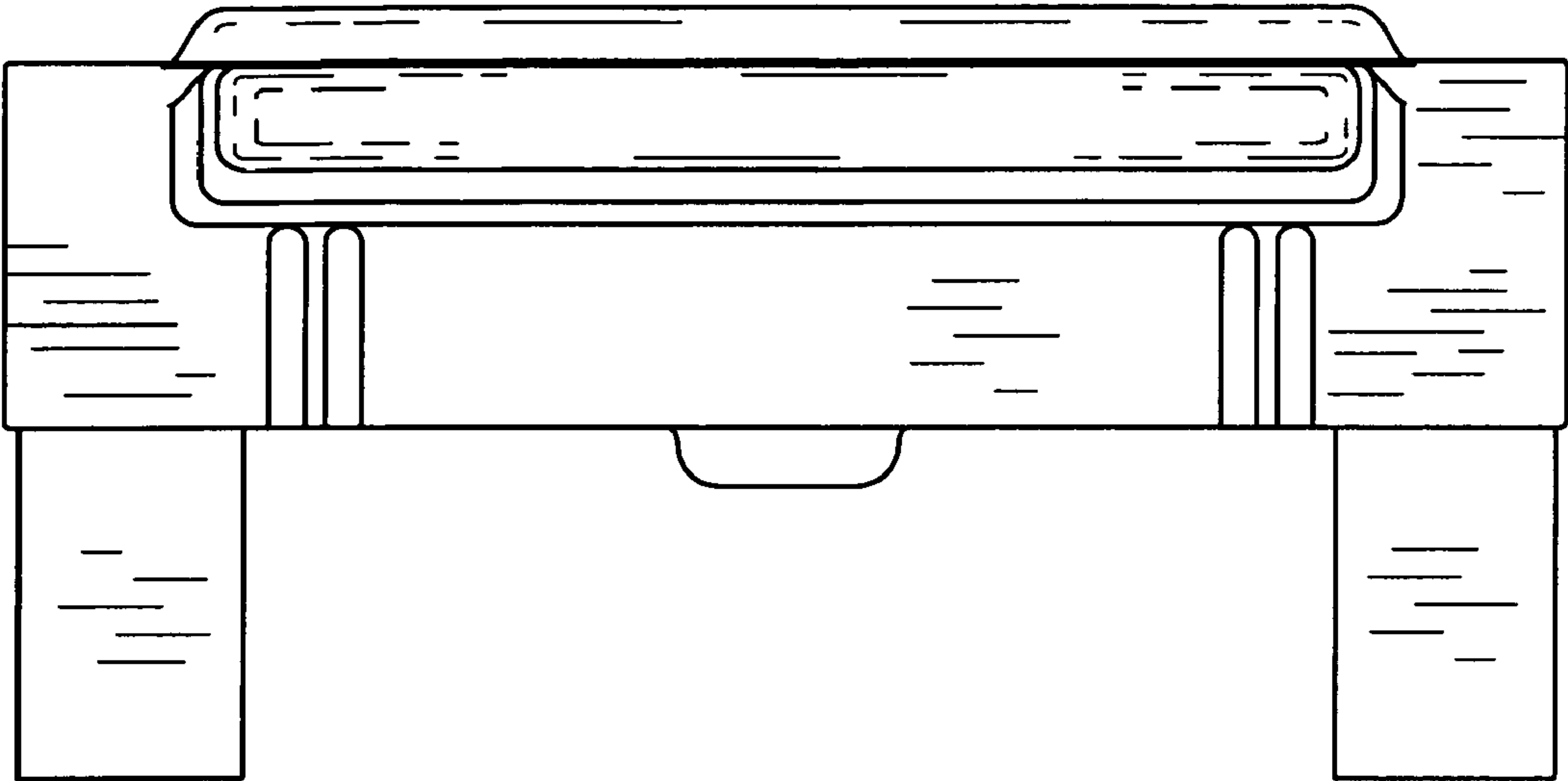
*FIG. 1*



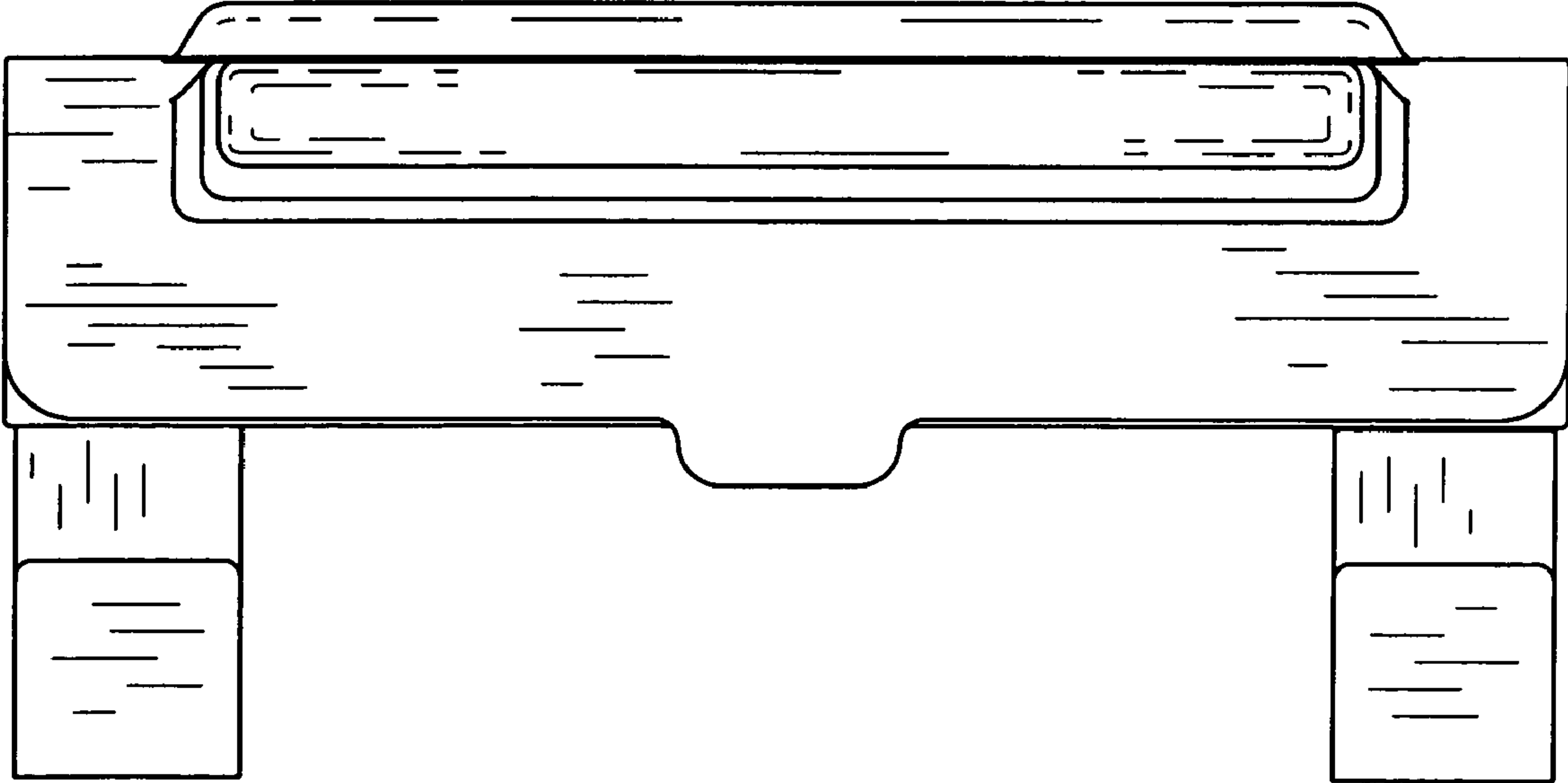
*FIG. 2*



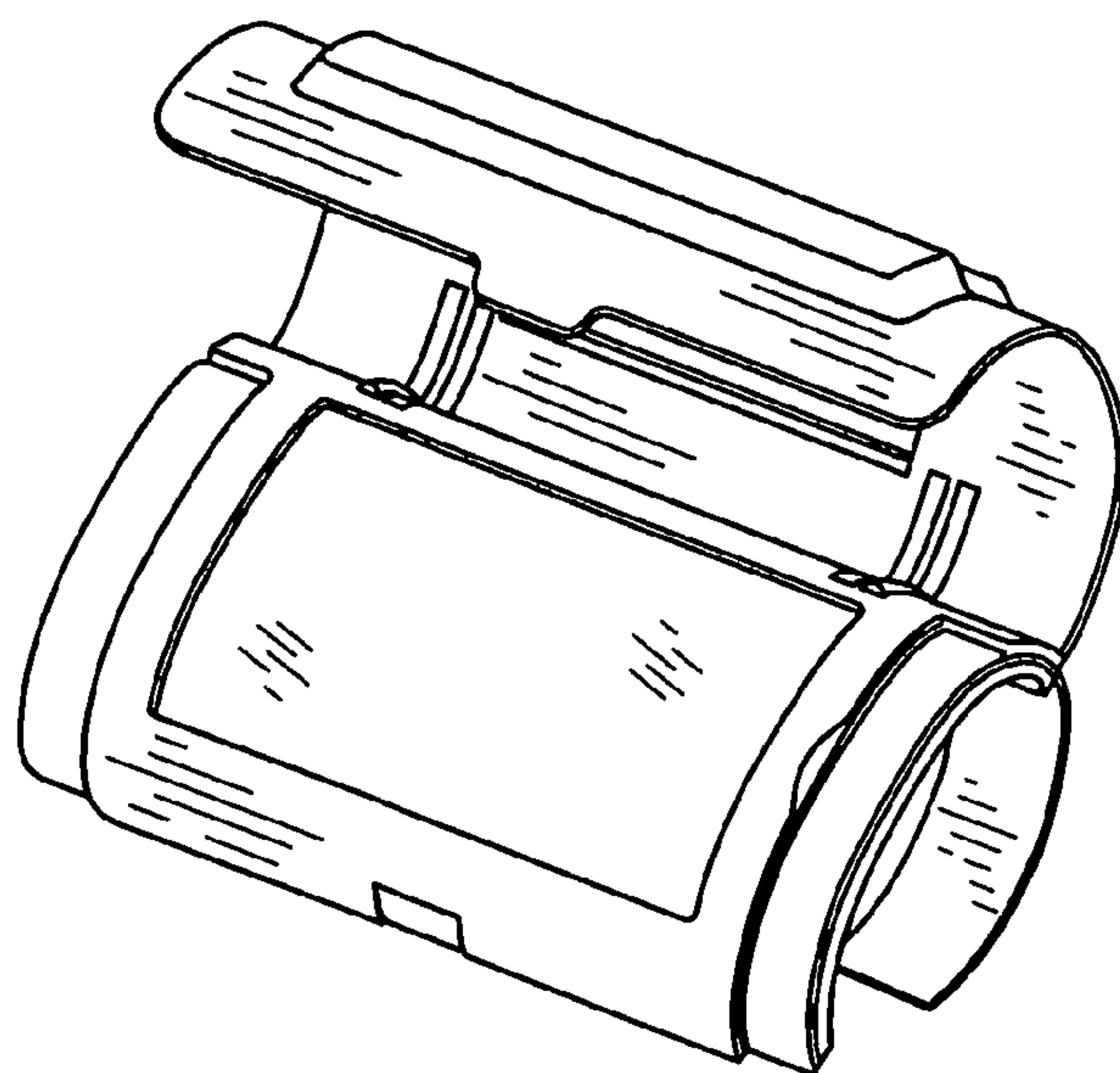
*FIG. 3*



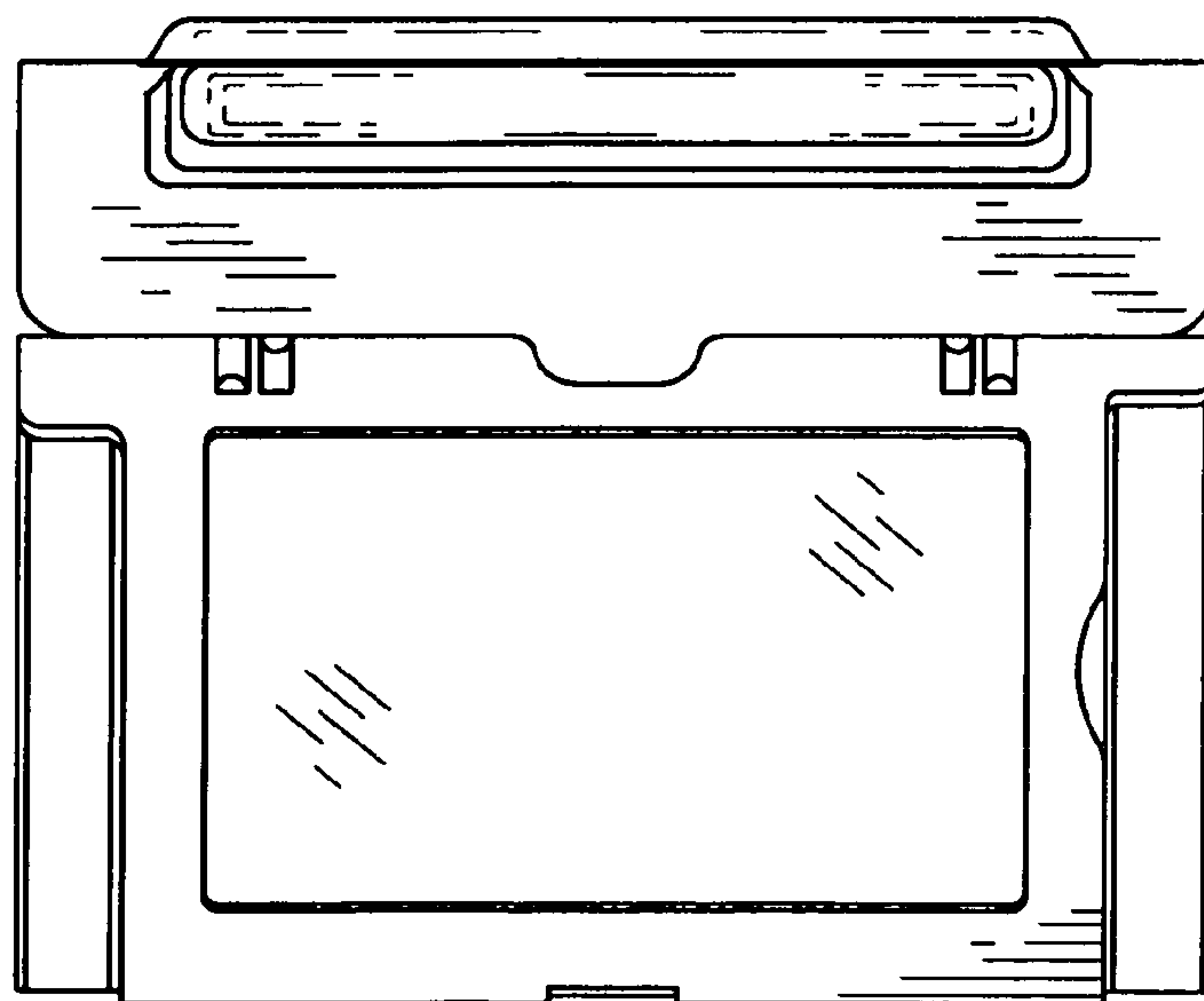
*FIG. 4*



*FIG. 5*

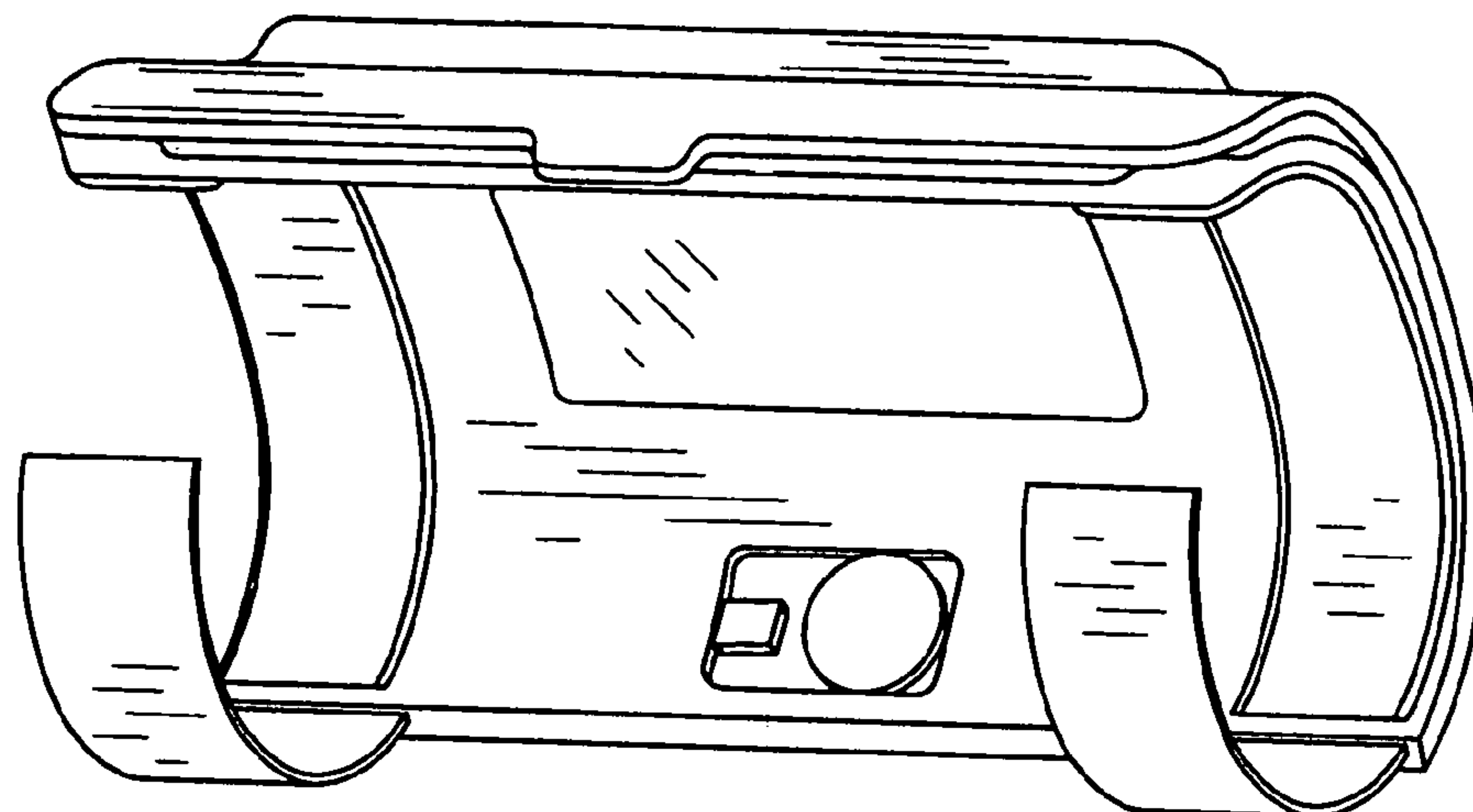


*FIG. 6*

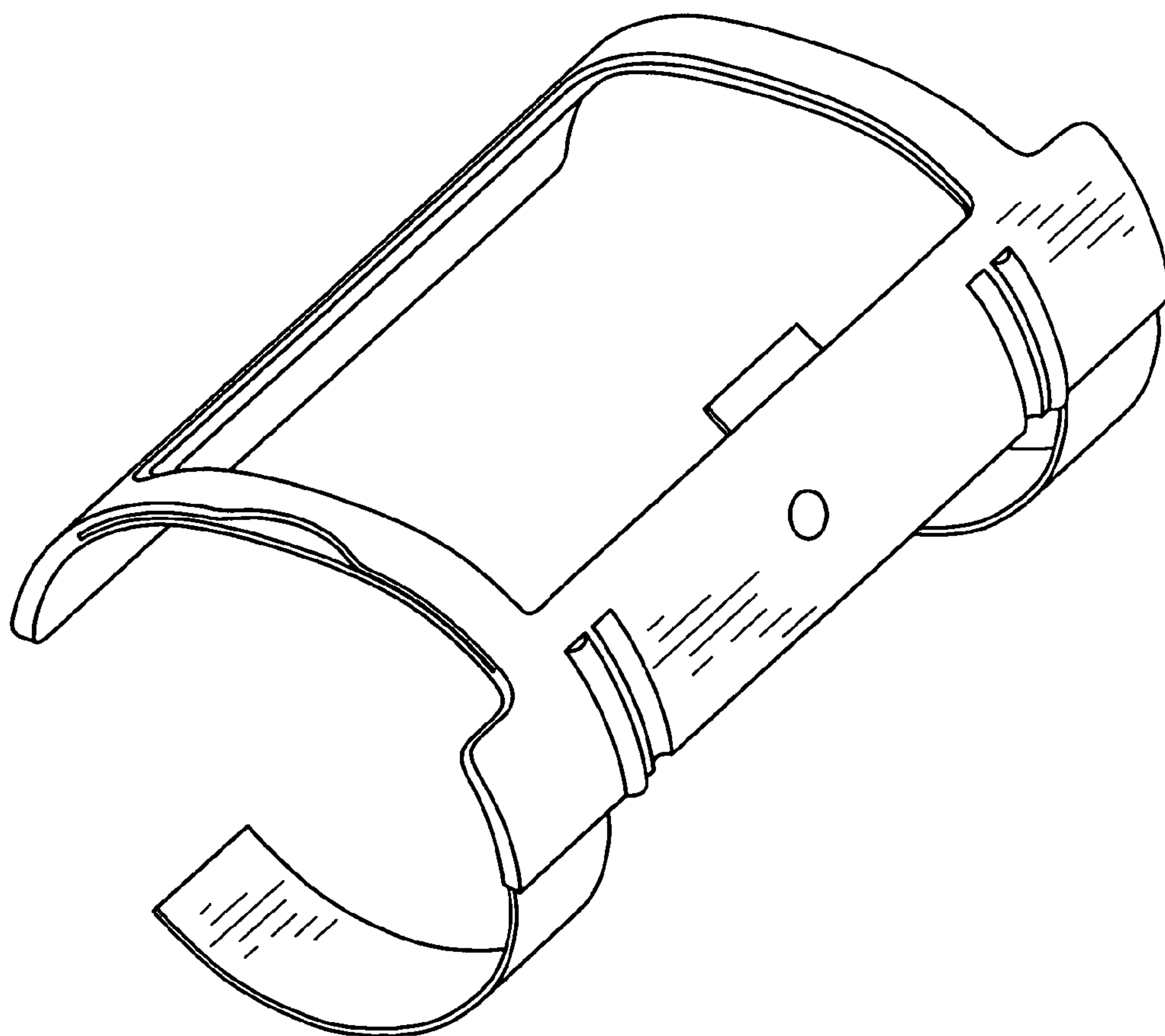


*FIG. 7*

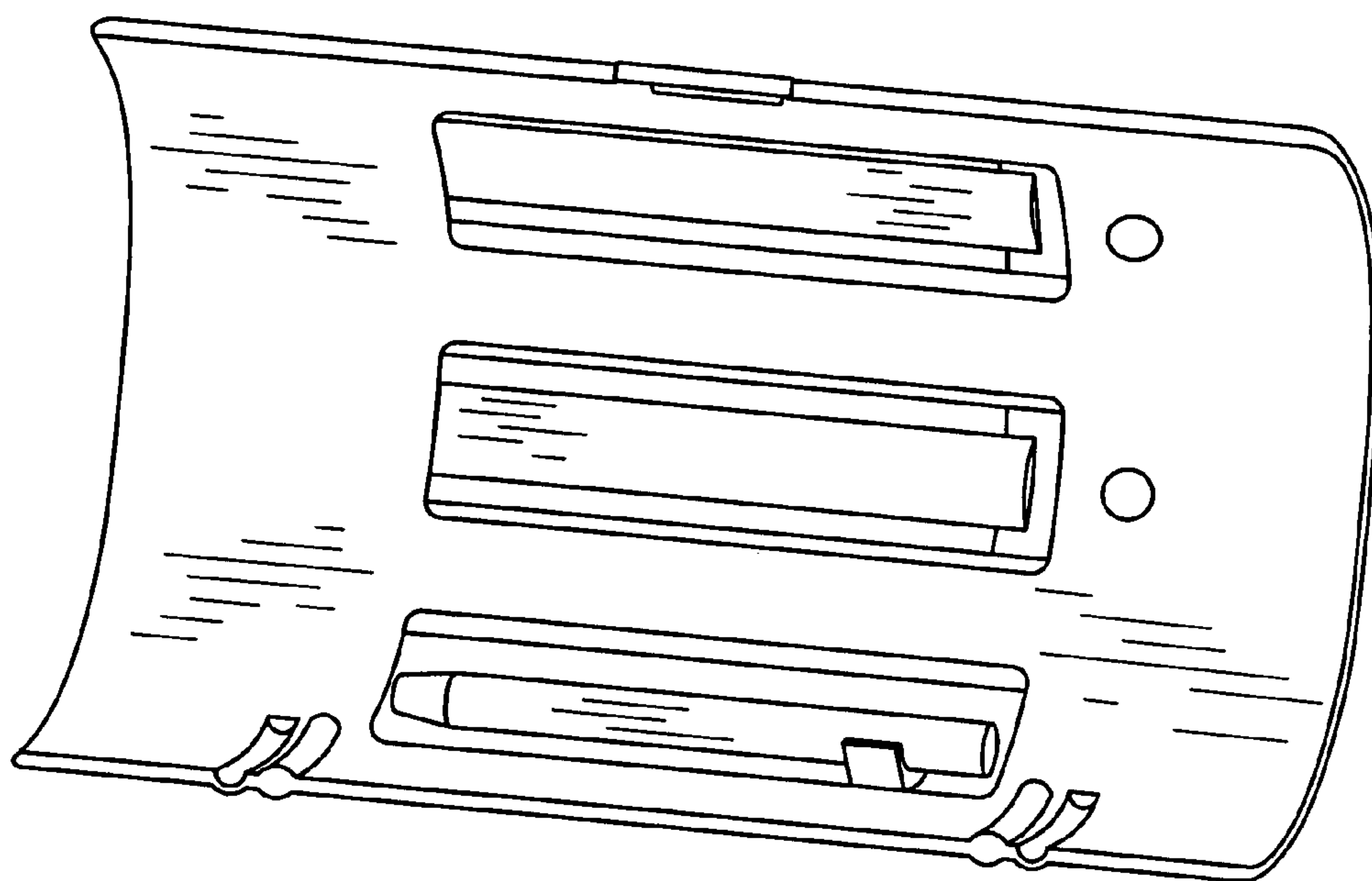




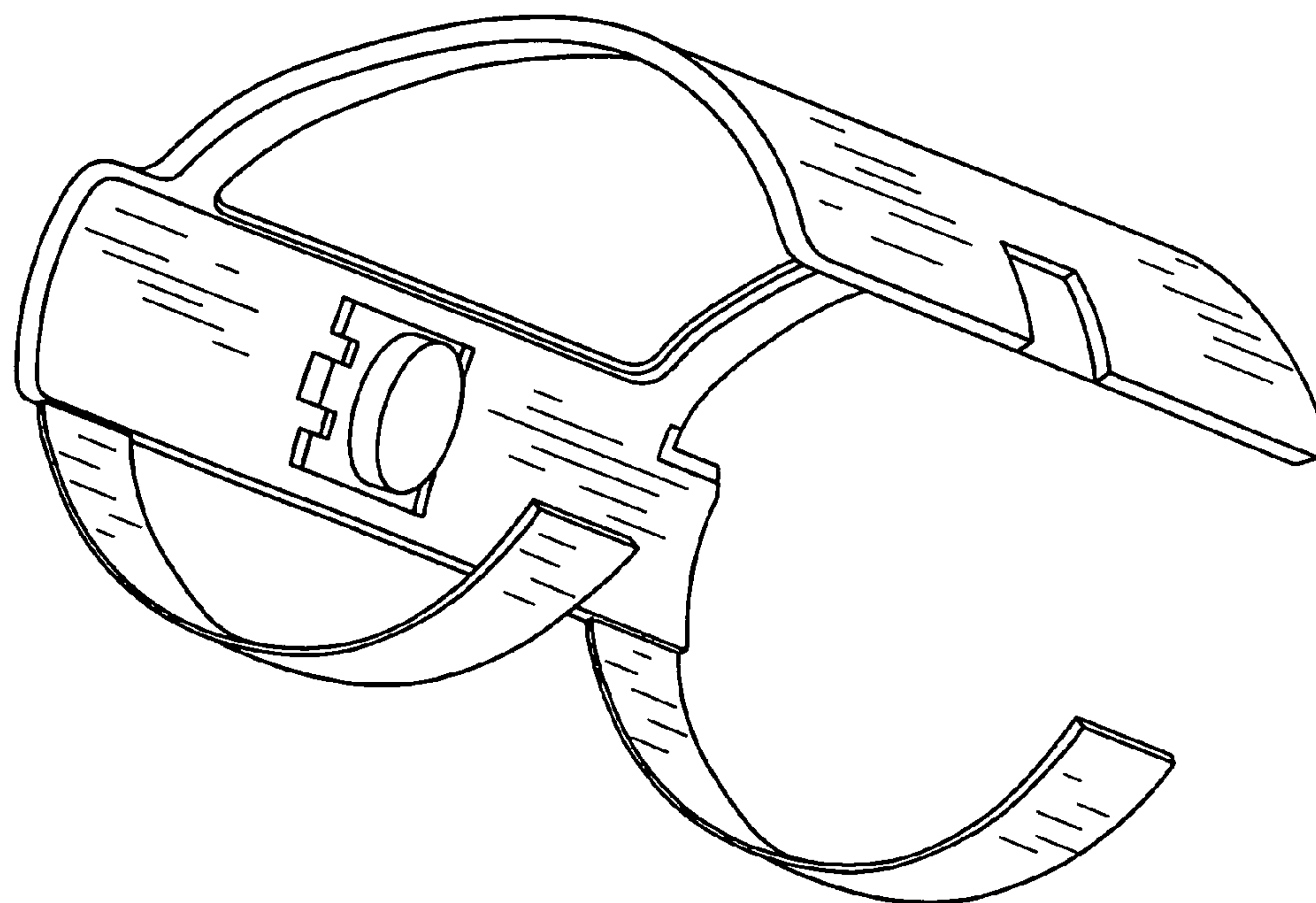
*FIG. 8*



*FIG. 9*



*FIG. 10*



*FIG. 11*