



US00D597285S

(12) **United States Design Patent**
Ringholz

(10) **Patent No.:** **US D597,285 S**

(45) **Date of Patent:** **** Aug. 4, 2009**

(54) **FOOTWEAR MIDSOLE**

(75) Inventor: **Ryan Ringholz**, Mill Valley, CA (US)

(73) Assignee: **Deckers Outdoor Corporation**, Goleta, CA (US)

(**) Term: **14 Years**

(21) Appl. No.: **29/293,554**

(22) Filed: **Nov. 30, 2007**

(51) **LOC (9) Cl.** **02-99**

(52) **U.S. Cl.** **D2/946; D2/927**

(58) **Field of Classification Search** D2/896,
D2/925-942, 946, 969, 971; 36/1, 83, 8.3,
36/45-58

See application file for complete search history.

(56) **References Cited**

U.S. PATENT DOCUMENTS

D91,535 S	*	12/1934	Morali	D2/932
D129,120 S	*	8/1941	Joyce	D2/927
D131,170 S	*	1/1942	Wolock	D2/932
D144,356 S	*	4/1946	Colwell	D2/930

OTHER PUBLICATIONS

UGG Australia, Fall 2005, Kalie, p. 11.

* cited by examiner

Primary Examiner—Dominic Simone

(74) *Attorney, Agent, or Firm*—Greer, Burns & Crain, Ltd.

(57) **CLAIM**

The ornamental design for a footwear midsole, as shown and described.

DESCRIPTION

FIG. 1 is a lateral side perspective view of a footwear midsole showing my new design;

FIG. 2 is a lateral side elevational view thereof;

FIG. 3 is a medial side elevational view thereof;

FIG. 4 is a front elevational view thereof;

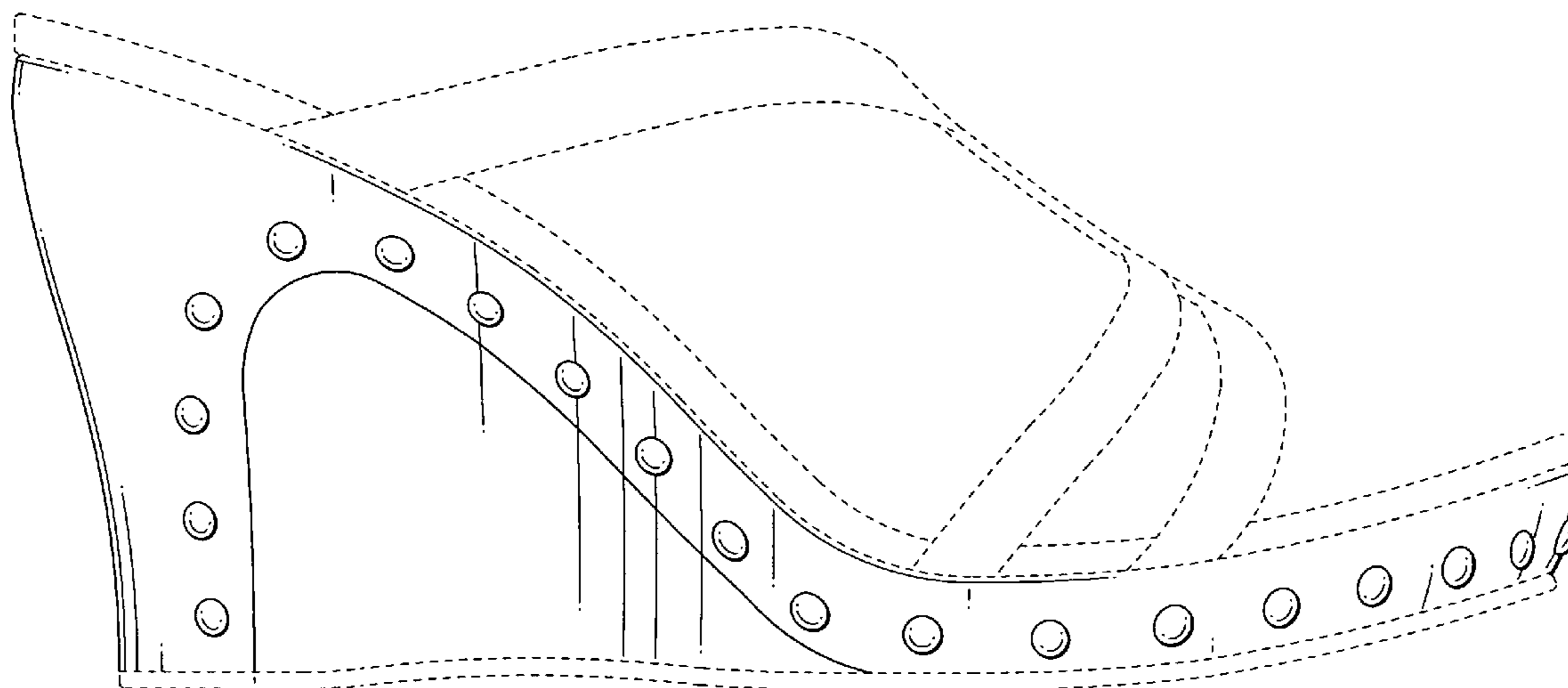
FIG. 5 is a rear elevational view thereof.

FIG. 6 is a top plan view thereof; and,

FIG. 7 is a bottom plan view thereof.

The broken lines in FIGS. 1-7 represent portions of the footwear that form no part of the claimed design. The broken lines which define the bounds of the claimed design form no part thereof.

1 Claim, 6 Drawing Sheets



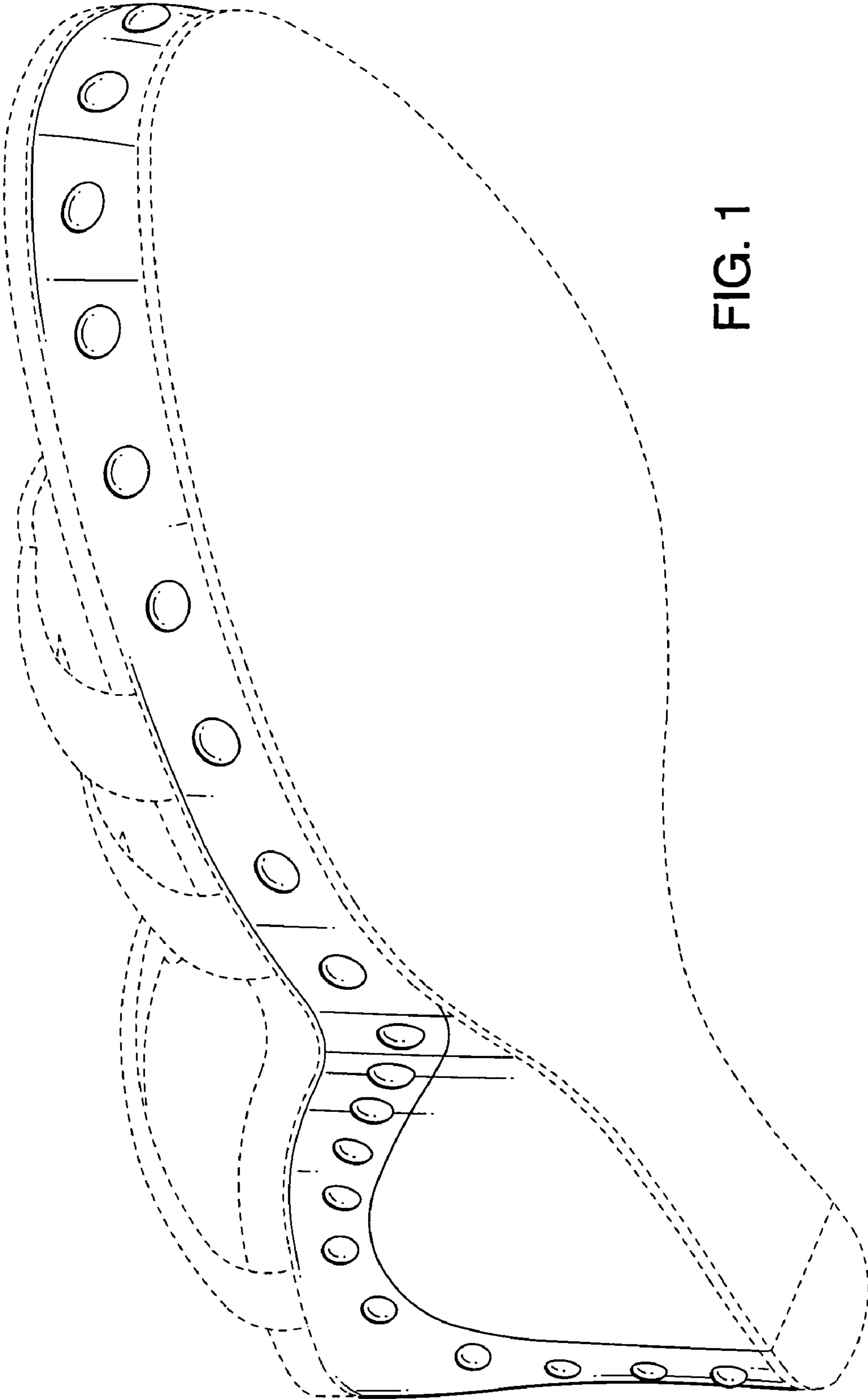


FIG. 1

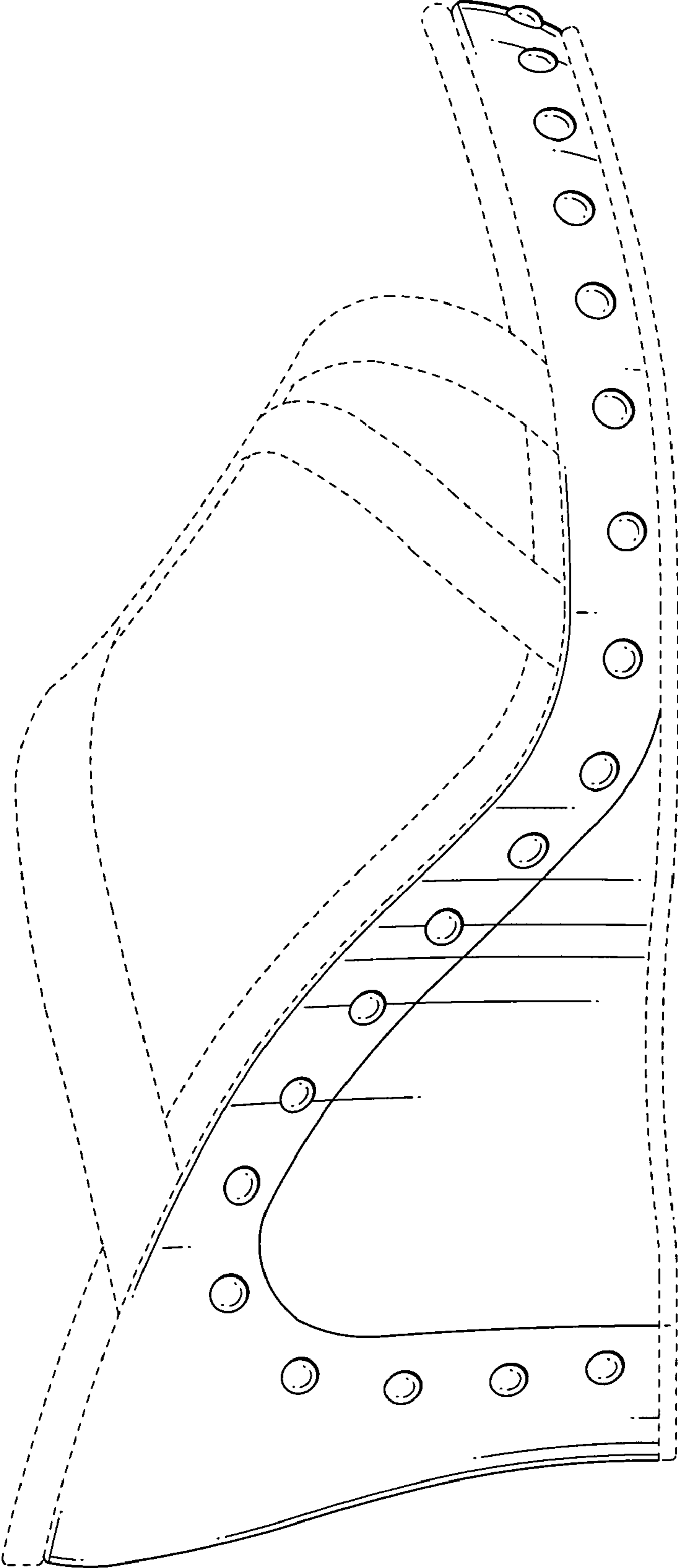


FIG. 2

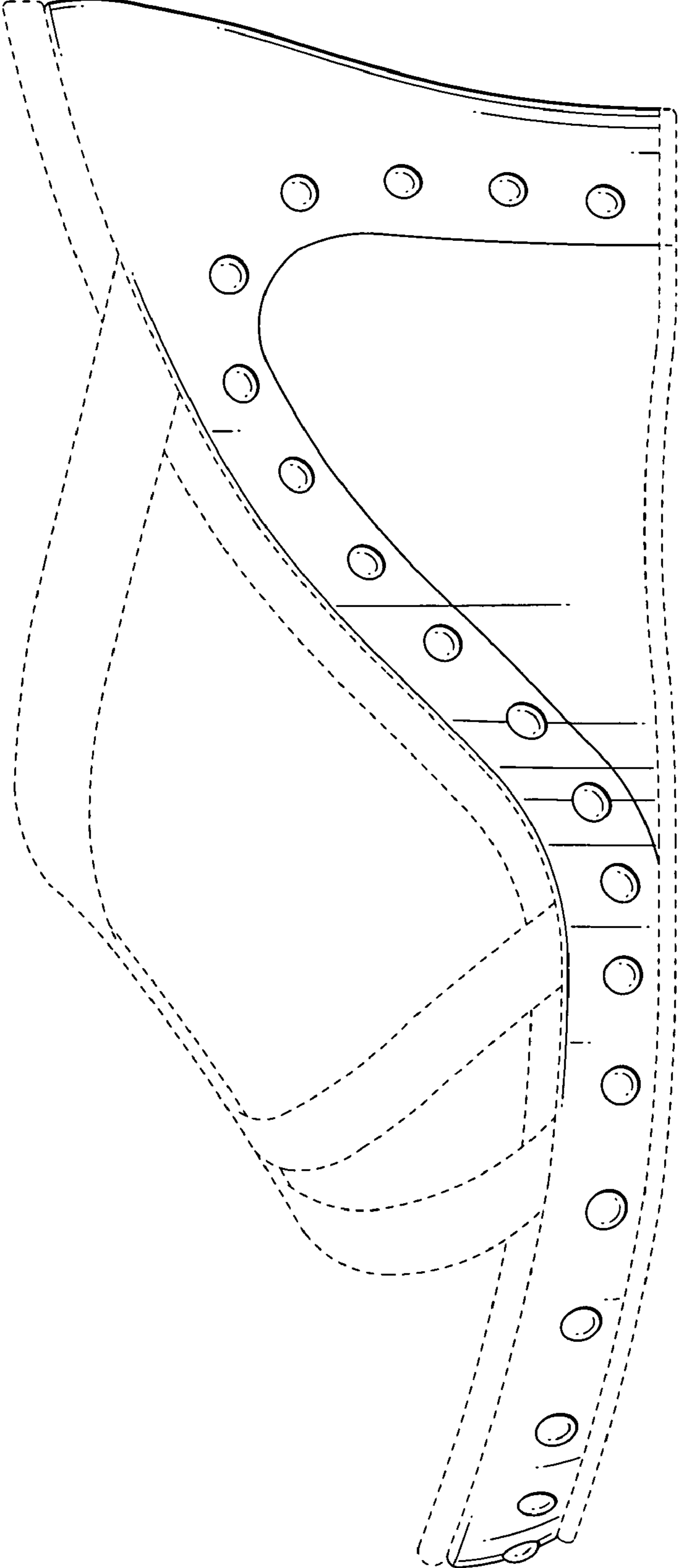


FIG. 3

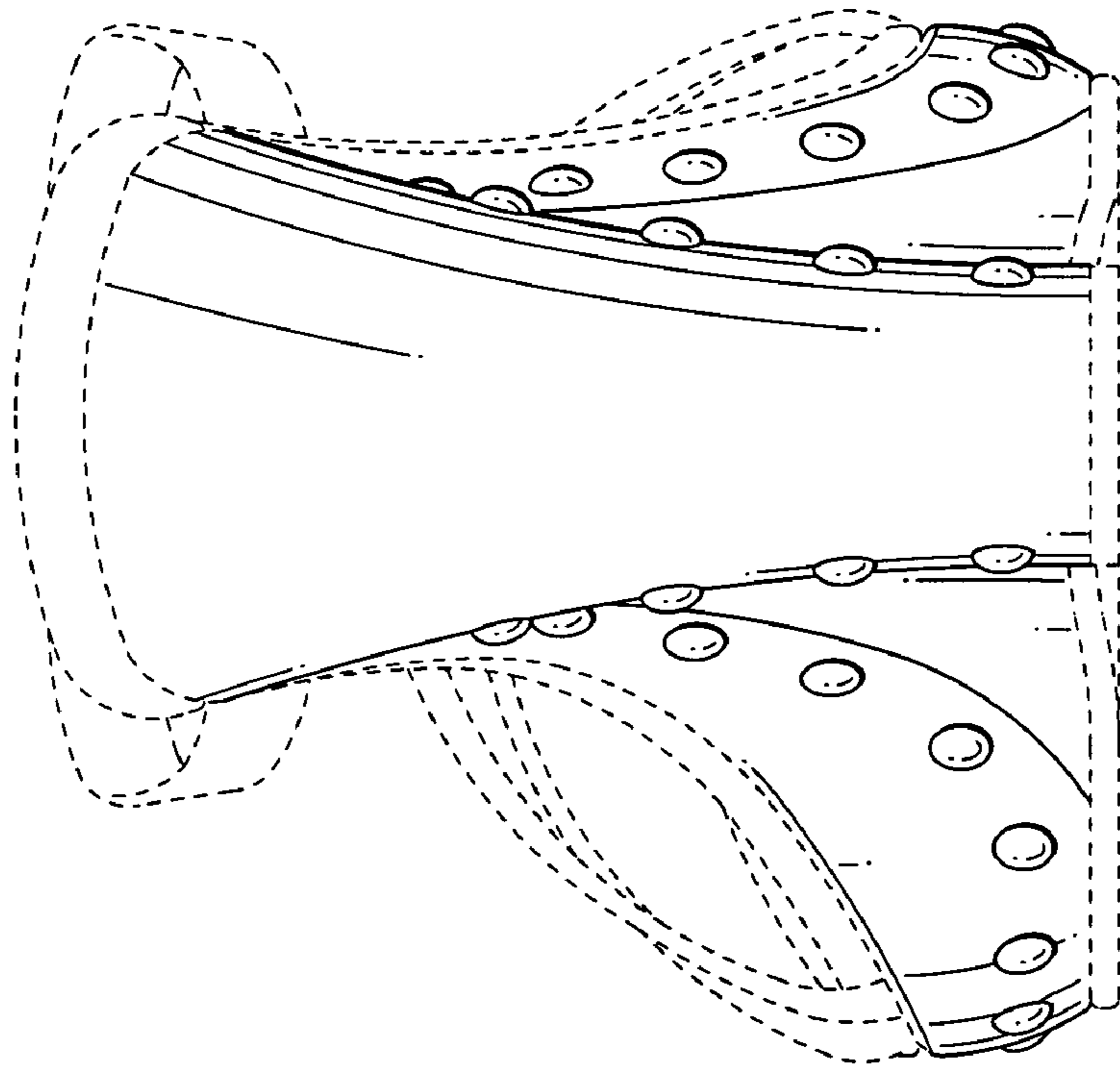


FIG. 5

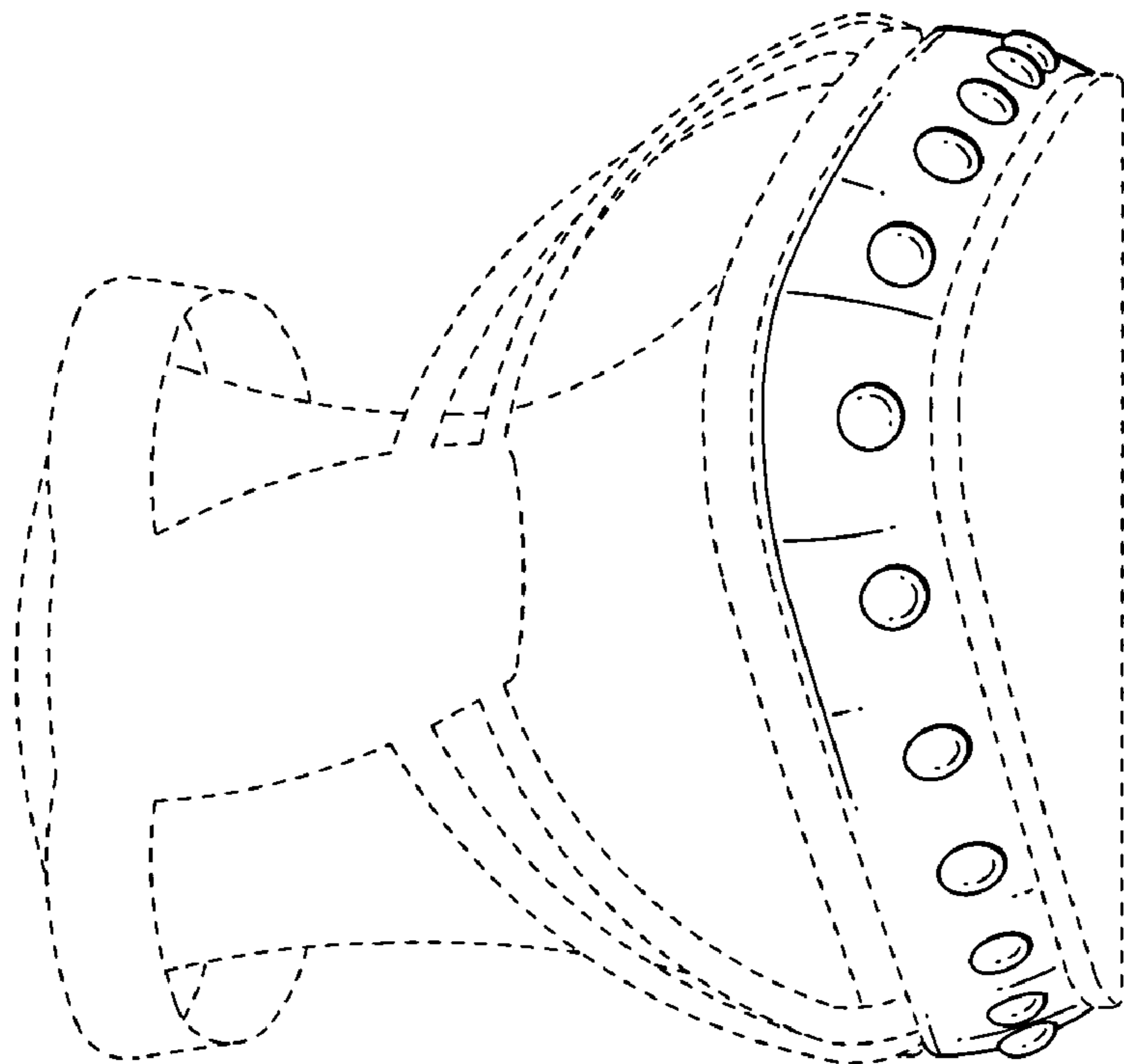


FIG. 4

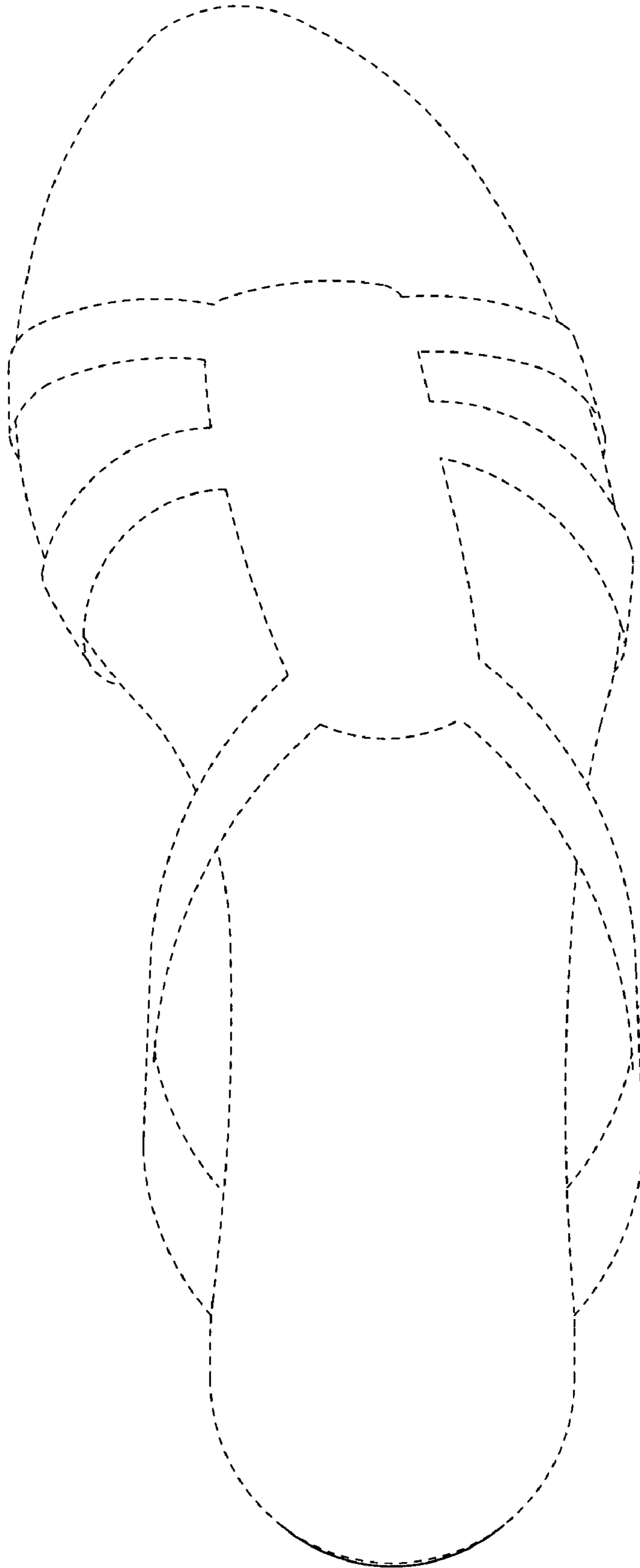


FIG. 6

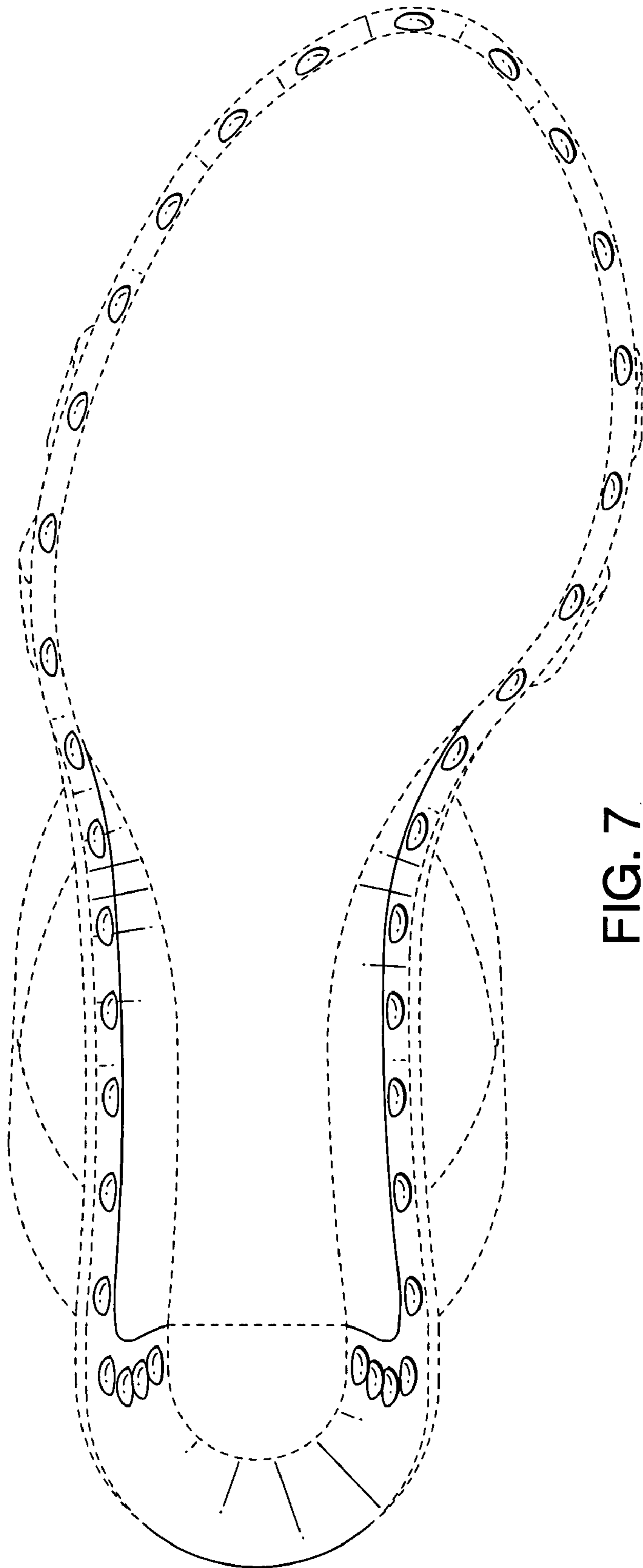


FIG. 7