



US00D597274S

(12) **United States Design Patent**
Wu

(10) **Patent No.:** **US D597,274 S**
(45) **Date of Patent:** **** Jul. 28, 2009**

(54) **GOLF CART**

D574,571 S * 8/2008 Liao D34/15
D586,522 S * 2/2009 Liao D34/15
2008/0252027 A1* 10/2008 Lin 280/47.34

(75) Inventor: **Fang-Li Wu**, Tainan Hsien (TW)

(73) Assignee: **Sports World Enterprise Co., Ltd.**,
Tainan Hsien (TW)

* cited by examiner

Primary Examiner—Cynthia E Ramirez

(**) Term: **14 Years**

(74) *Attorney, Agent, or Firm*—Rosenberg, Klein & Lee

(21) Appl. No.: **29/309,871**

(57) **CLAIM**

(22) Filed: **Oct. 30, 2008**

The ornamental design for a golf cart, as shown and described.

(51) **LOC (9) Cl.** **12-13**

(52) **U.S. Cl.** **D34/15**

(58) **Field of Classification Search** D34/12-27;
280/47.24, 47.26, 654, 79.3, 655, DIG. 5,
280/DIG. 6

DESCRIPTION

See application file for complete search history.

FIG. 1 is a perspective view of a golf cart showing my new design;

FIG. 2 is a front elevational view thereof;

FIG. 3 is a rear elevational view thereof;

FIG. 4 is a left side elevational view thereof;

FIG. 5 is a right side elevational view thereof;

FIG. 6 is a top plan view thereof; and,

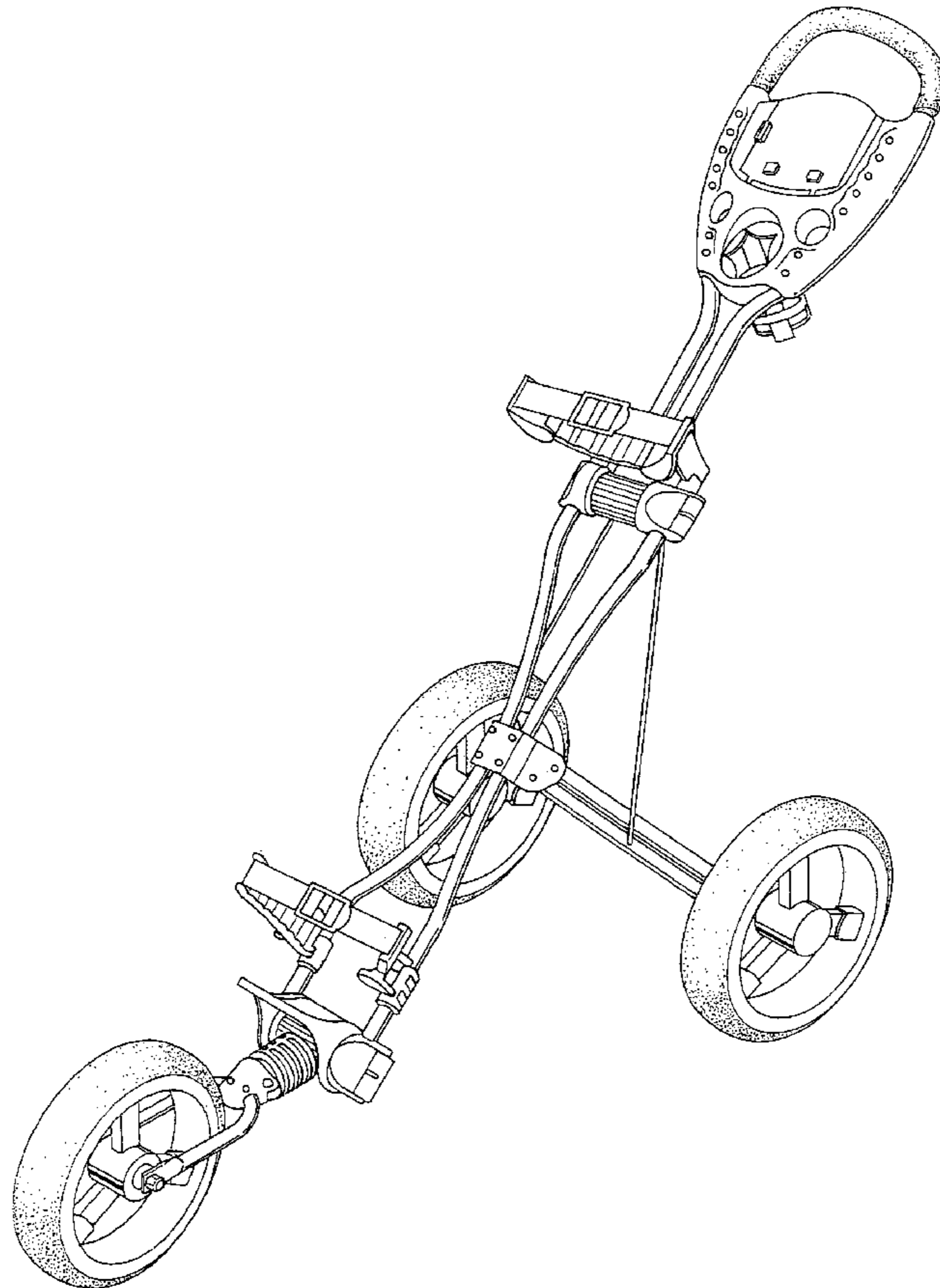
FIG. 7 is a bottom plan view thereof.

(56) **References Cited**

U.S. PATENT DOCUMENTS

D292,039 S * 9/1987 Moore D34/15
D448,906 S * 10/2001 Wu D34/15
D462,152 S * 8/2002 Liao D34/15
D488,279 S * 4/2004 Wu D34/15
7,219,920 B2 * 5/2007 Lin 280/651

1 Claim, 7 Drawing Sheets



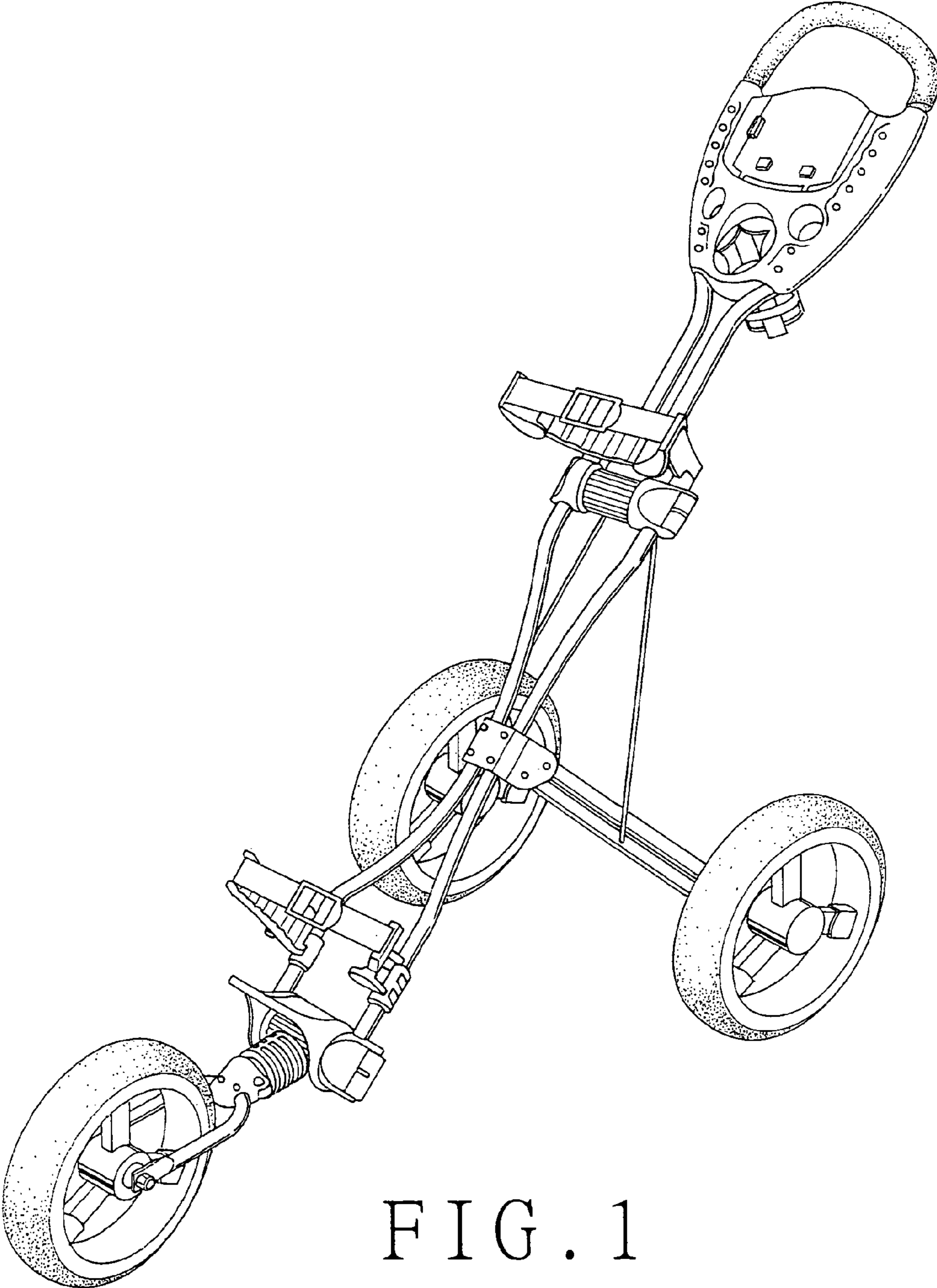


FIG. 1

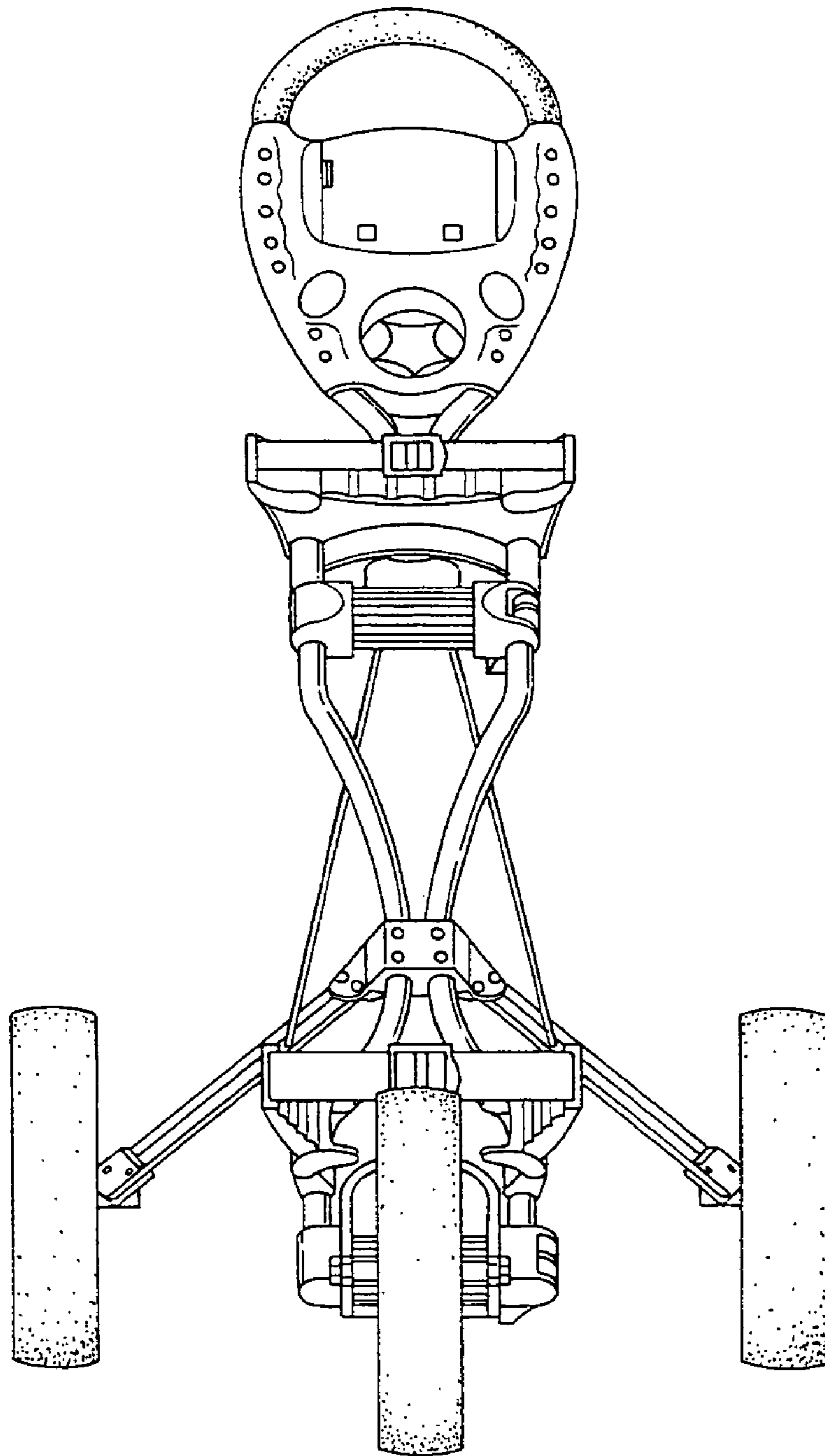


FIG. 2

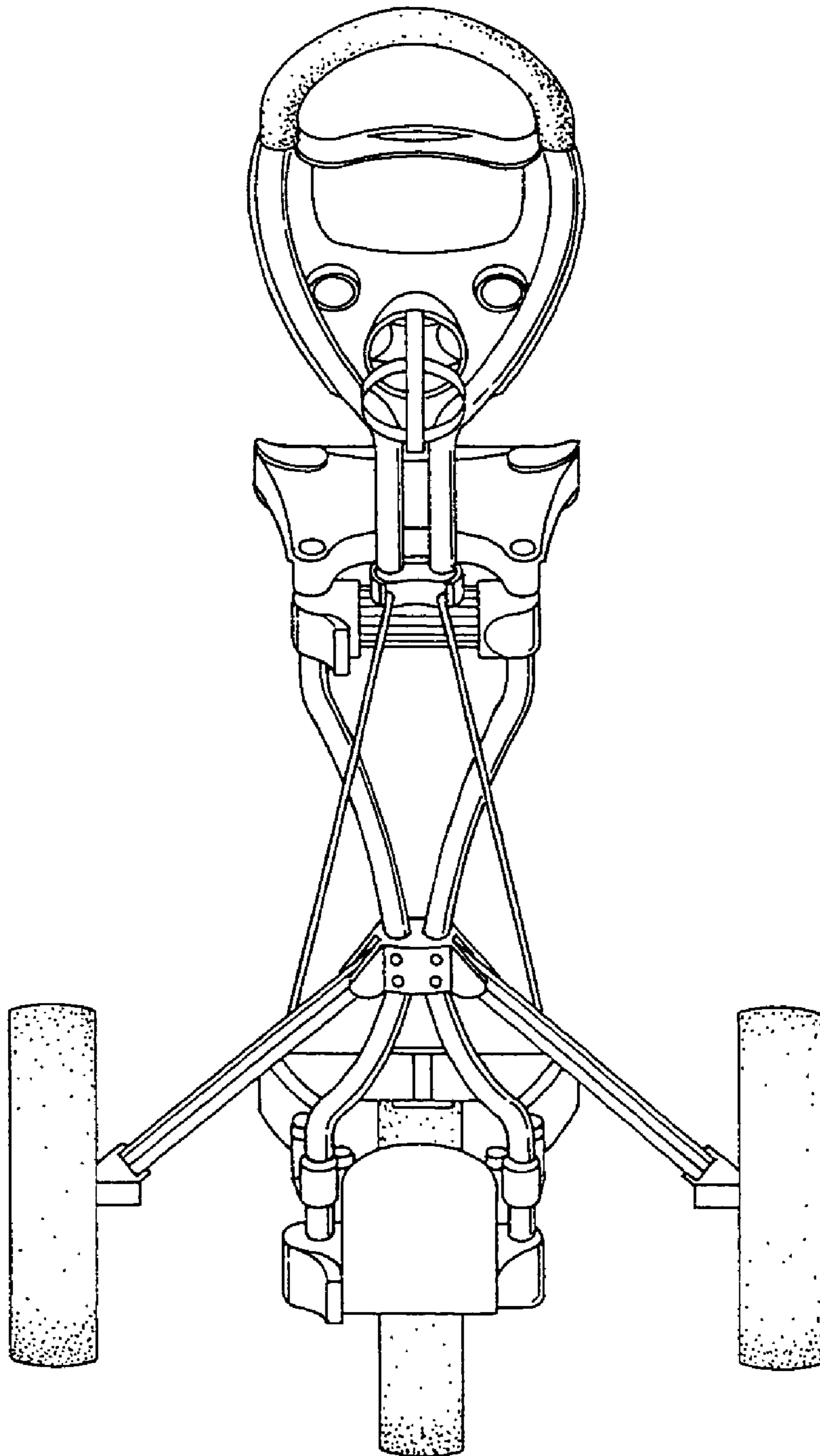


FIG. 3

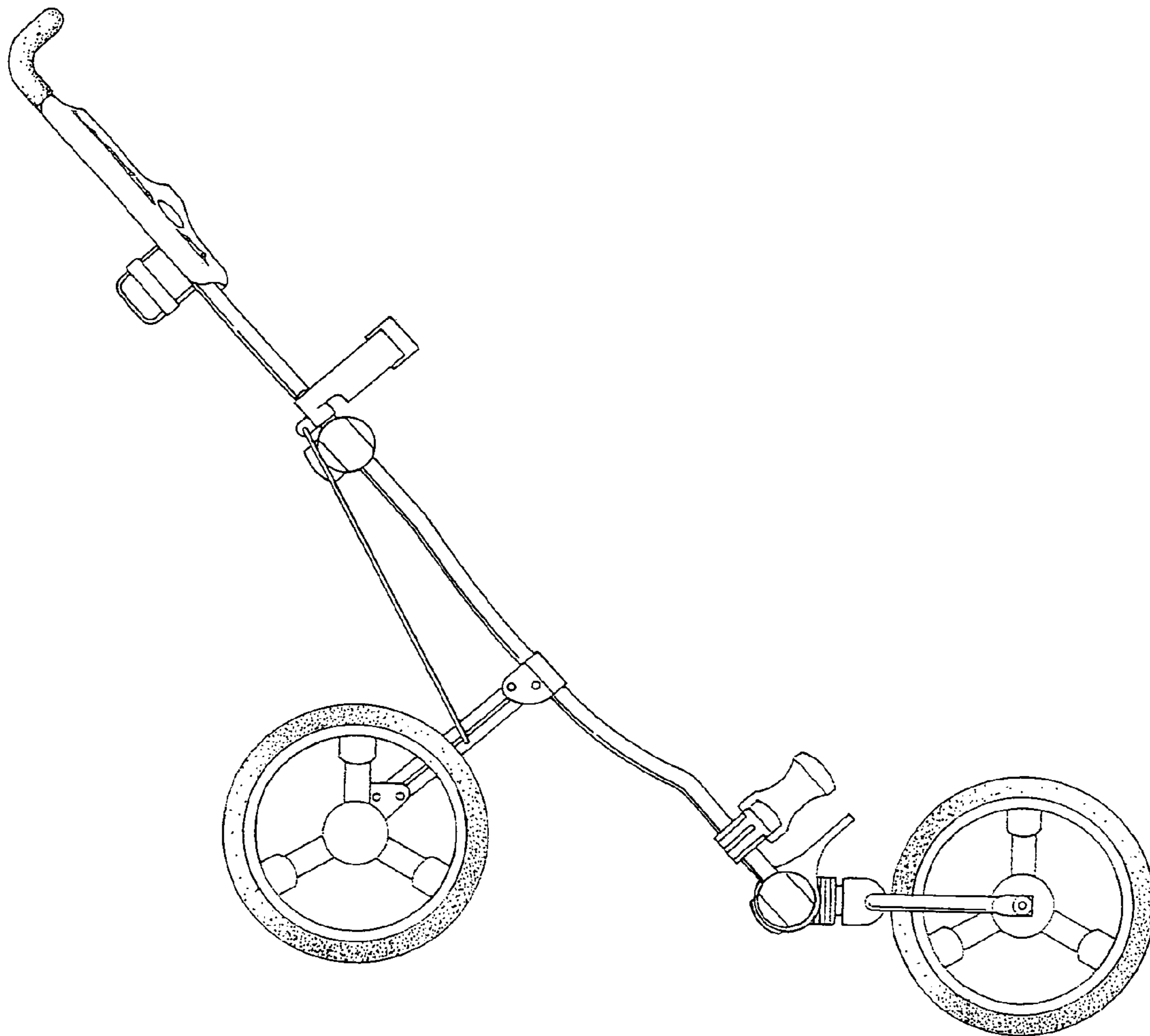


FIG. 4

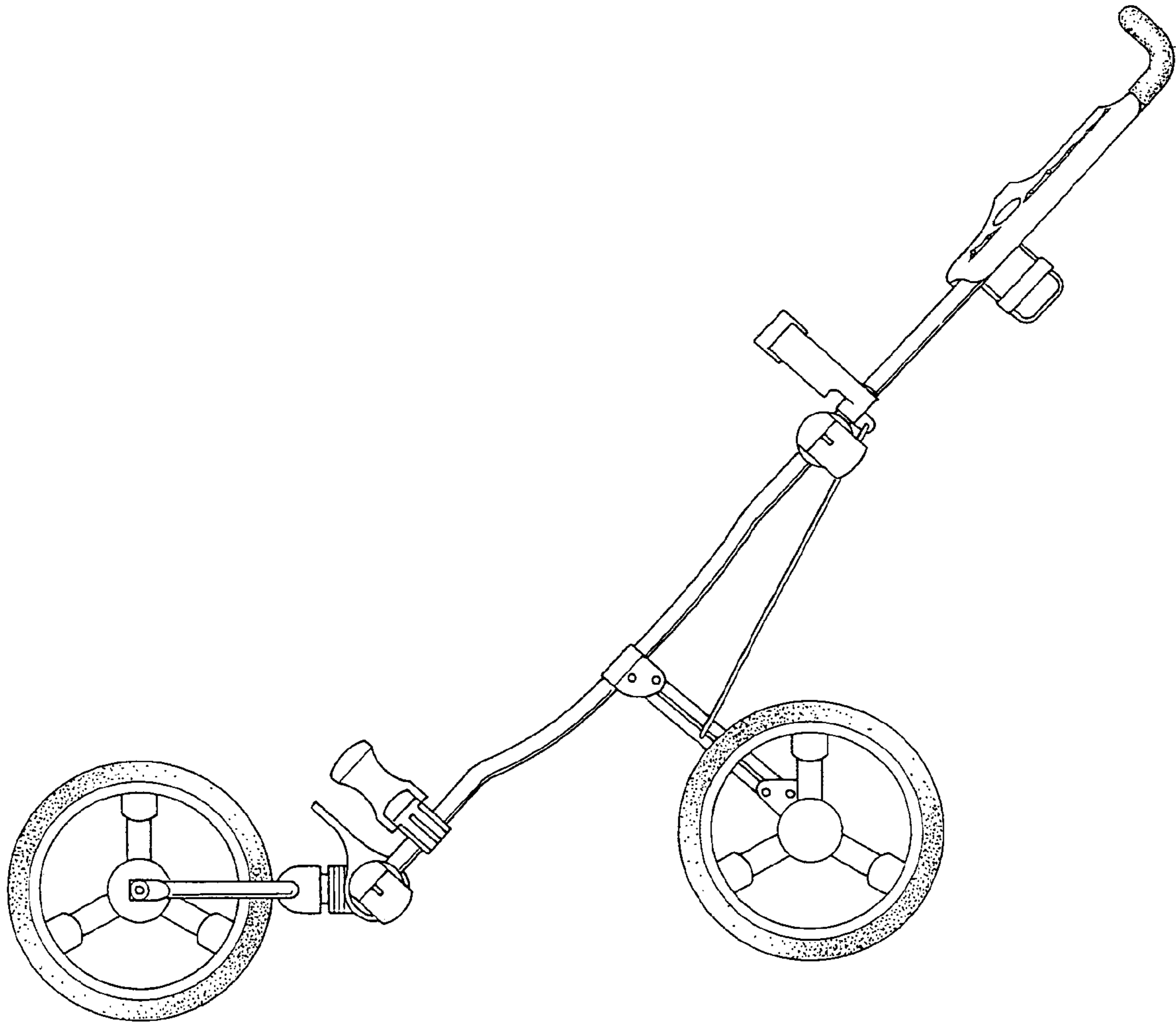


FIG. 5

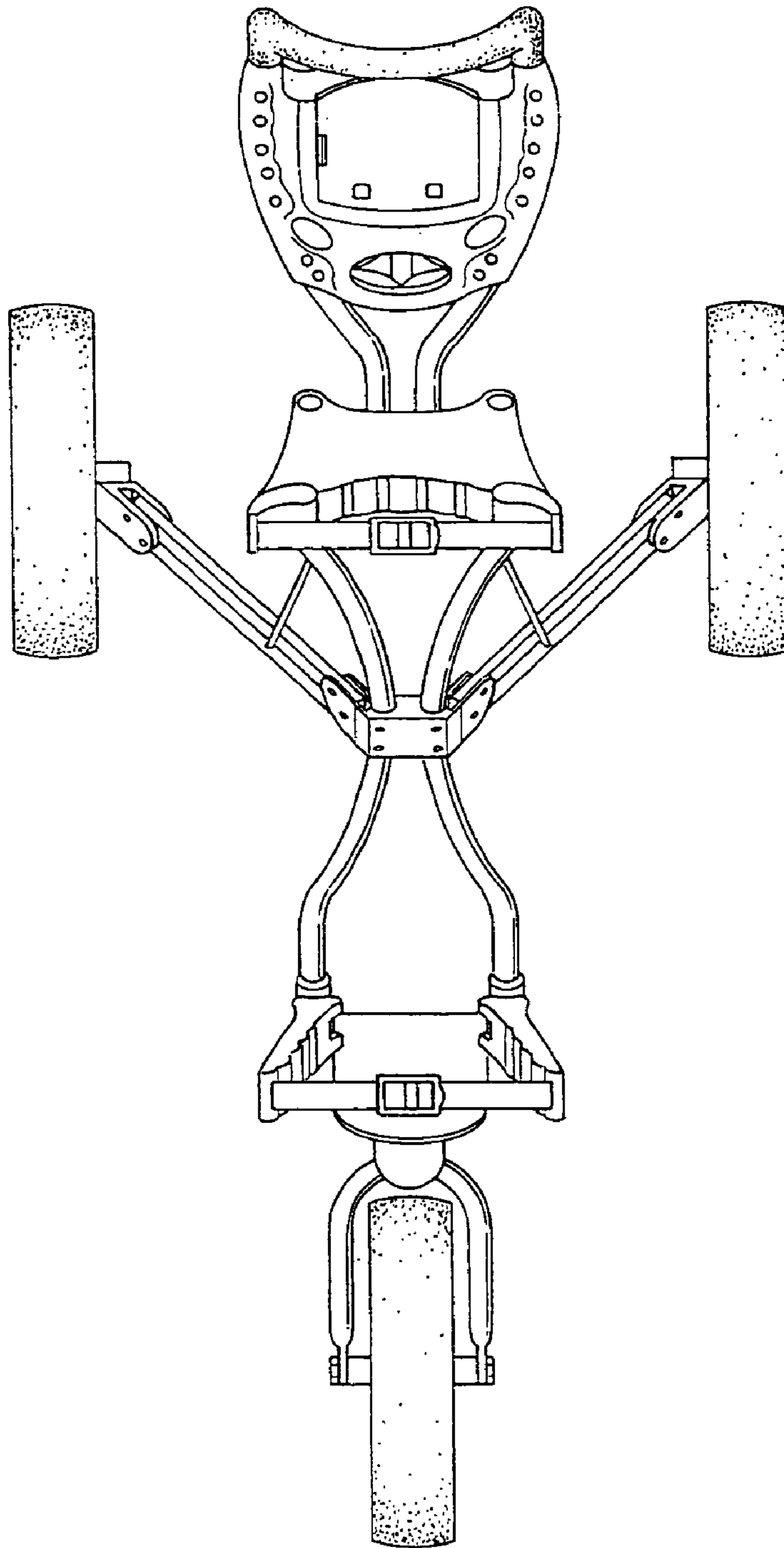


FIG. 6

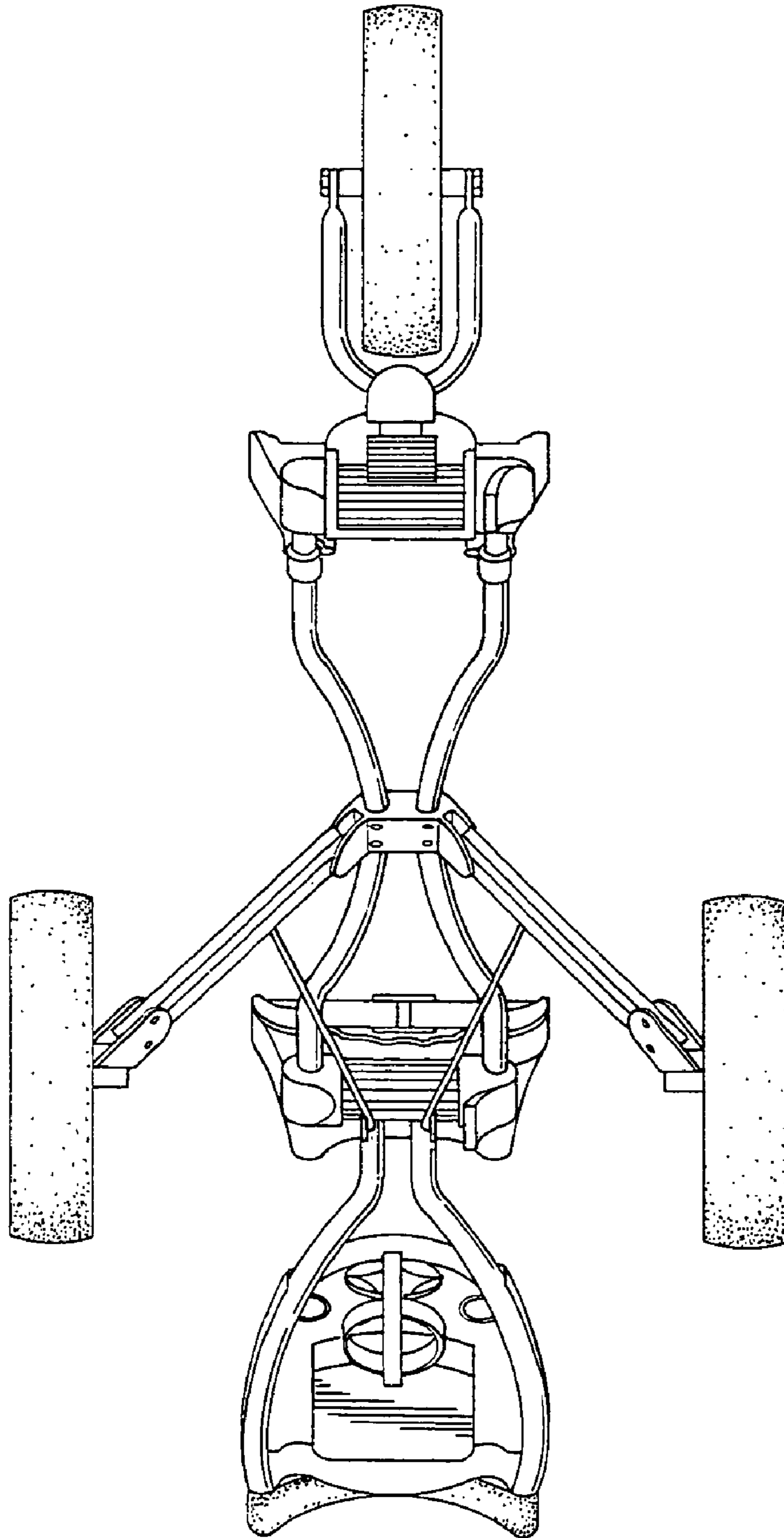


FIG. 7