



US00D597272S

(12) **United States Design Patent**
Auguste

(10) **Patent No.:** **US D597,272 S**
(45) **Date of Patent:** **** Jul. 28, 2009**

(54) **IRONING BOARD CABINET**

D527,546 S * 9/2006 Mohundro D6/446
D529,310 S * 10/2006 Schmitt D6/441

(76) Inventor: **Brenda A. Auguste**, 86-41 79th St.,
Woodhaven, NY (US) 11421

* cited by examiner

(**) Term: **14 Years**

Primary Examiner—Pamela J Burgess

(21) Appl. No.: **29/249,340**

(57) **CLAIM**

(22) Filed: **Oct. 2, 2006**

The ornamental design for an ironing board cabinet, as shown and described.

(51) **LOC (9) Cl.** **07-05**

DESCRIPTION

(52) **U.S. Cl.** **D32/66; D6/397; D6/440**

(58) **Field of Classification Search** D32/66;
D6/396-397, 432, 436-449; 108/33-35;
38/103-104, 106-107, 112, 137; 312/315-316,
312/317.1

FIG. 1 is a front elevation view of an ironing board cabinet showing my new design;

FIG. 2 is a rear elevation view;

FIG. 3 is a left side elevation view;

FIG. 4 is a right side elevation view;

FIG. 5 is a top plan view;

FIG. 6 is a bottom plan view;

FIG. 7 is a left side isometric view; and,

FIG. 8 is a right side isometric view of an Ironing Board cabinet with a front door in open position.

See application file for complete search history.

The broken lines shown in FIG. 8 are for illustrative purposes only and form no part of the claimed design.

(56) **References Cited**

U.S. PATENT DOCUMENTS

D316,169	S	*	4/1991	Bryan et al.	D32/66
D330,986	S	*	11/1992	Lau	D6/555
5,294,009	A	*	3/1994	Maurer et al.	211/126.15
5,924,581	A	*	7/1999	Chen	211/187
D459,044	S	*	6/2002	Felsenthal	D32/66
D473,400	S	*	4/2003	O'Hare	D6/441
D479,413	S	*	9/2003	McDaniel et al.	D6/446
D497,735	S	*	11/2004	Davis	D6/440

1 Claim, 5 Drawing Sheets

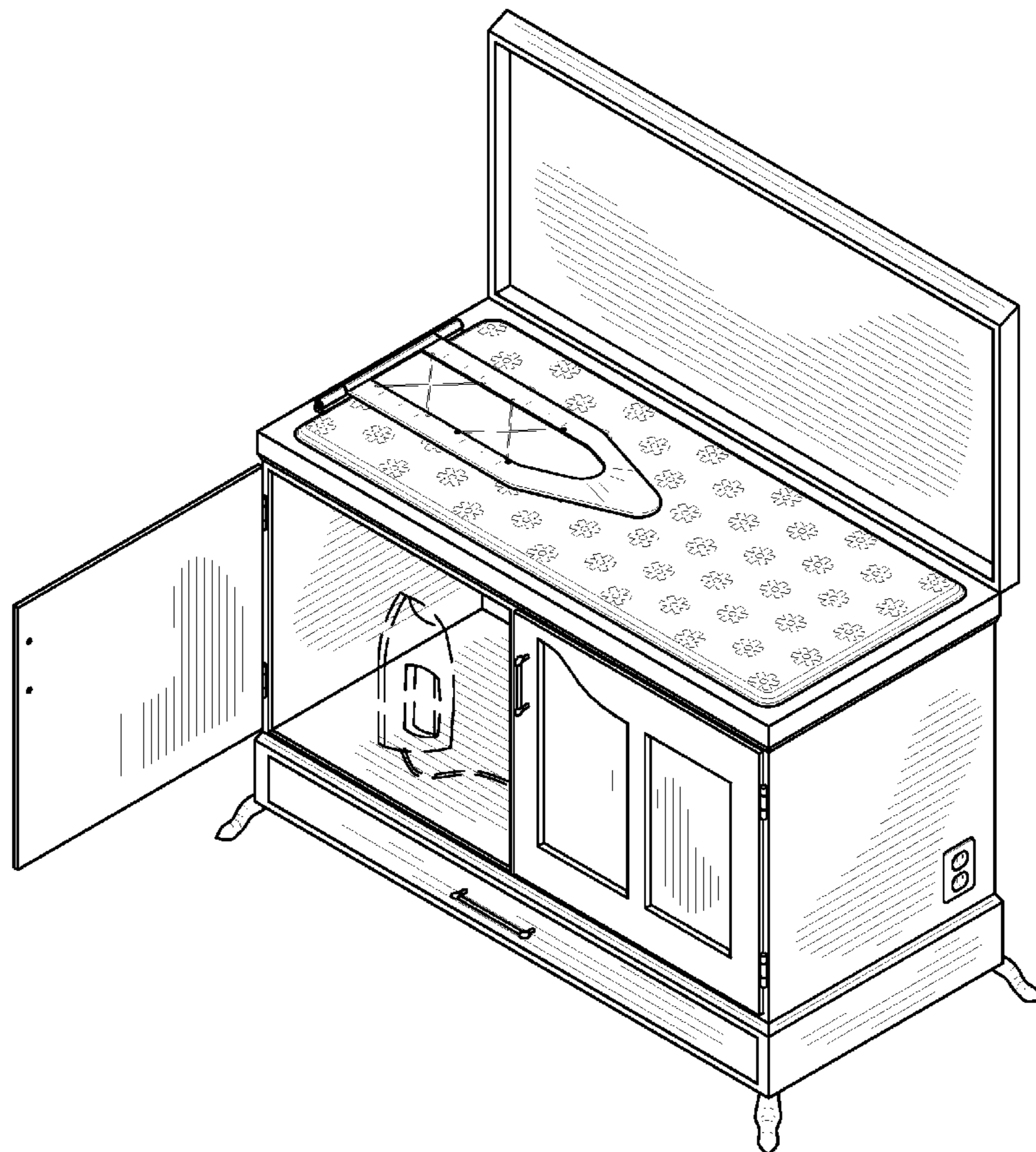




FIG. 1

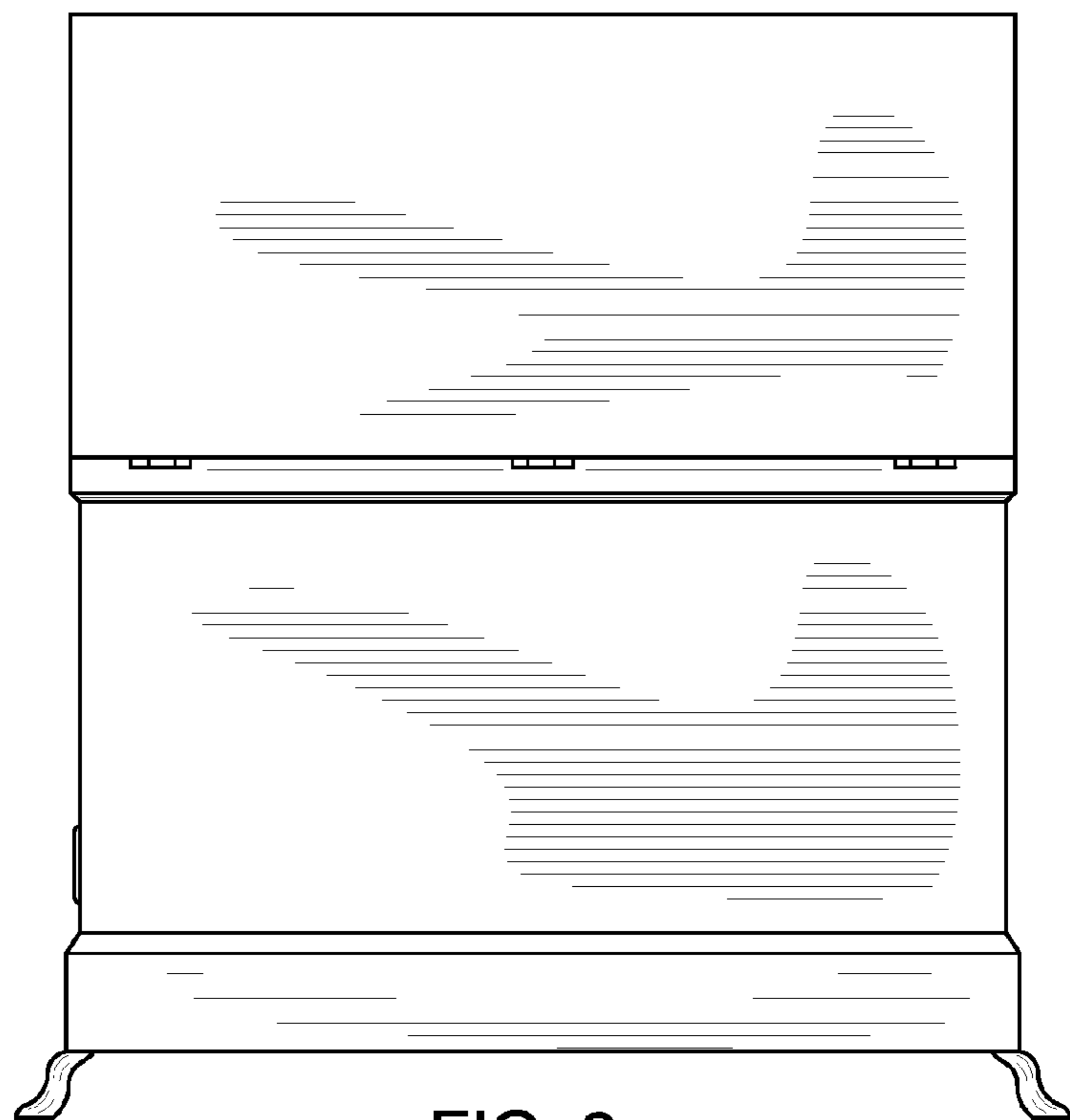


FIG. 2

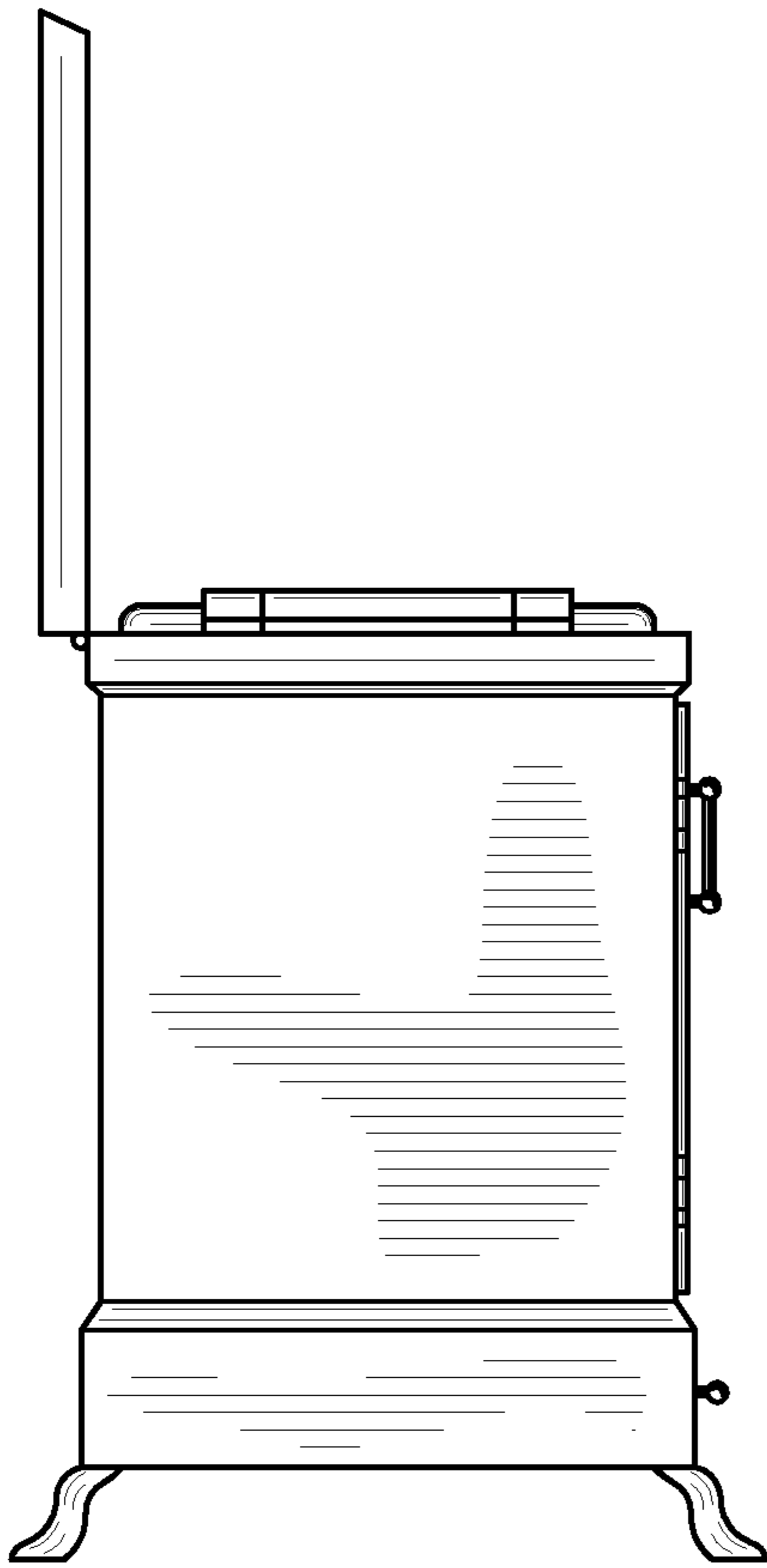


FIG. 3

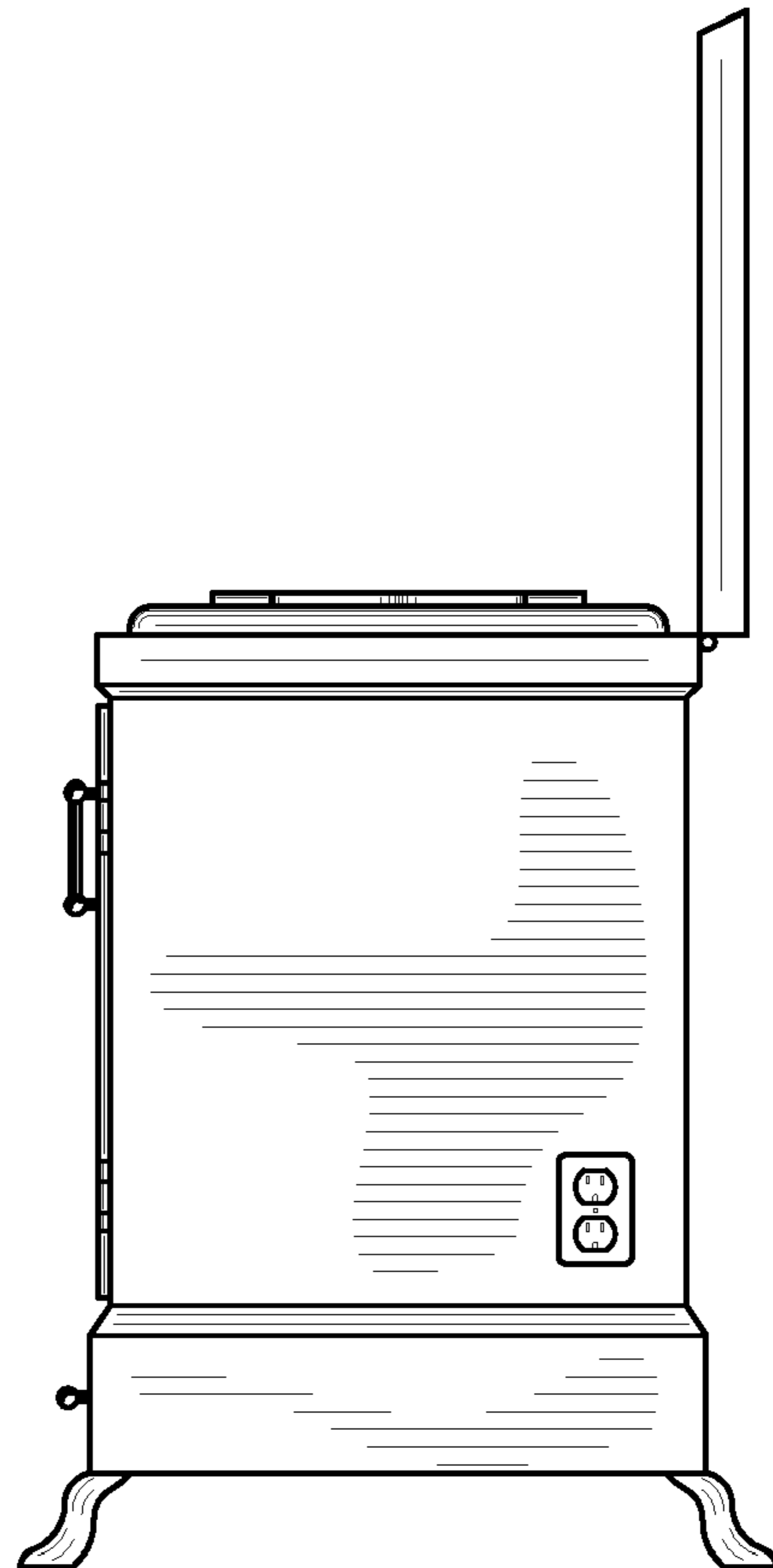


FIG. 4

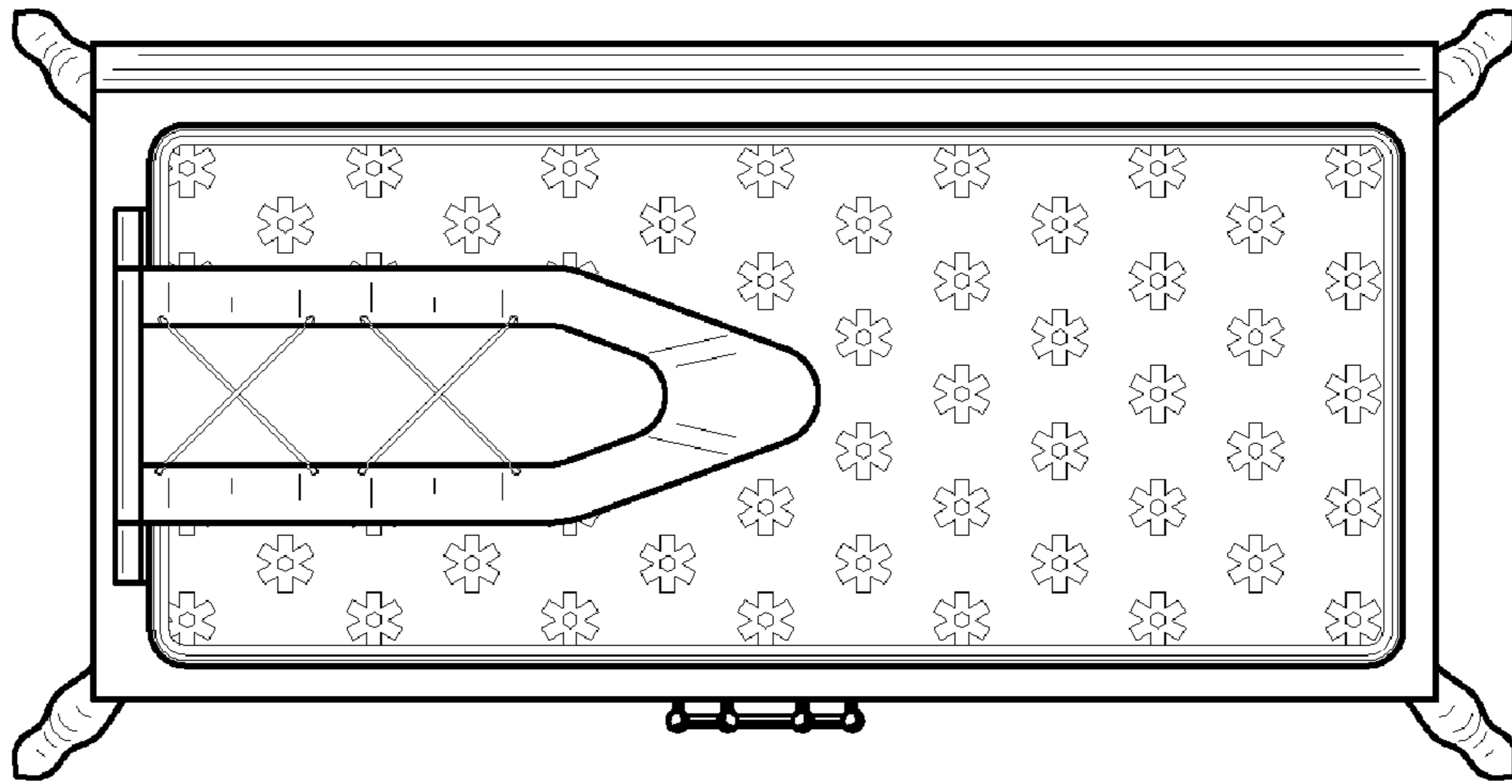


FIG. 5

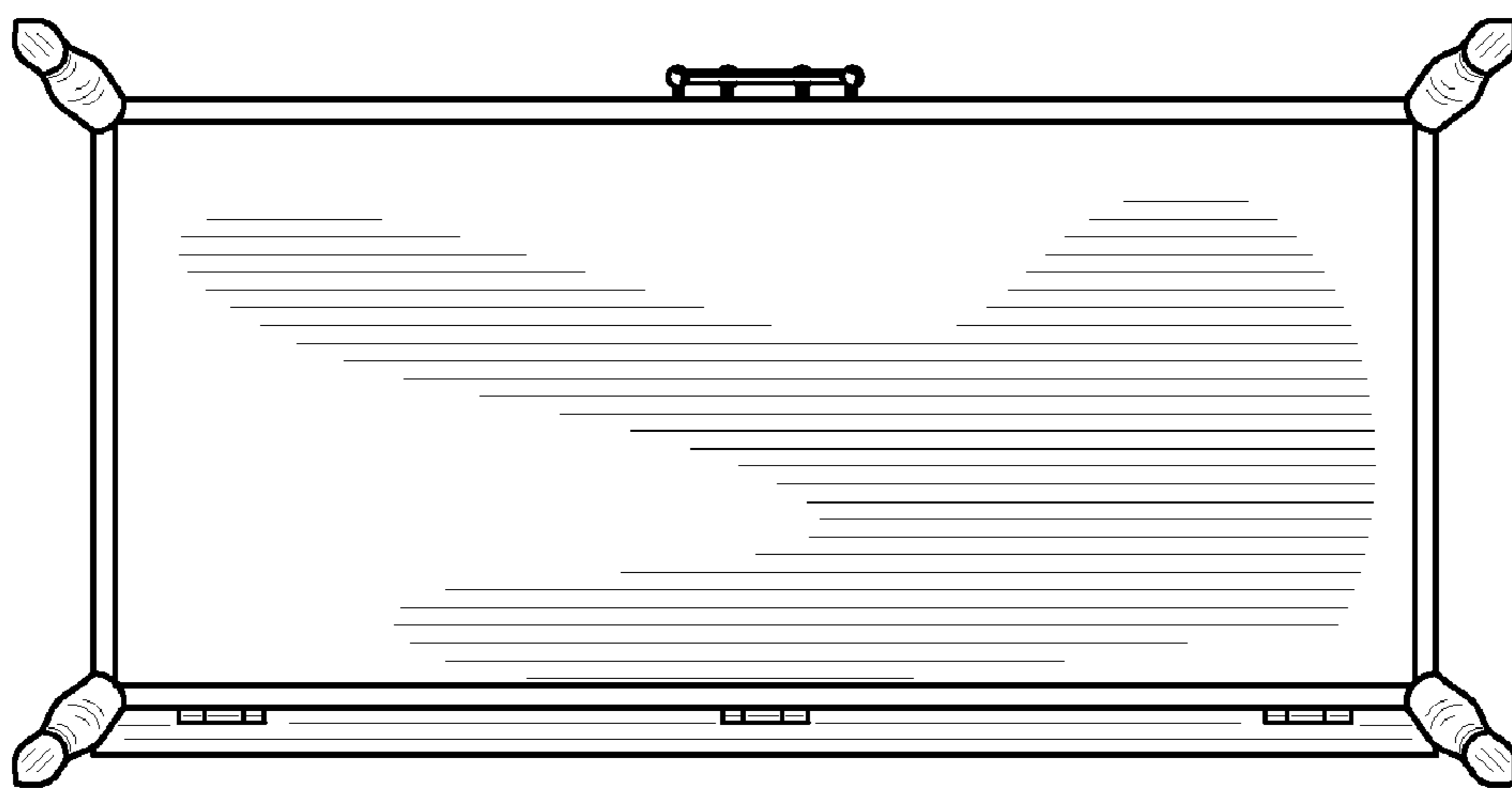


FIG. 6

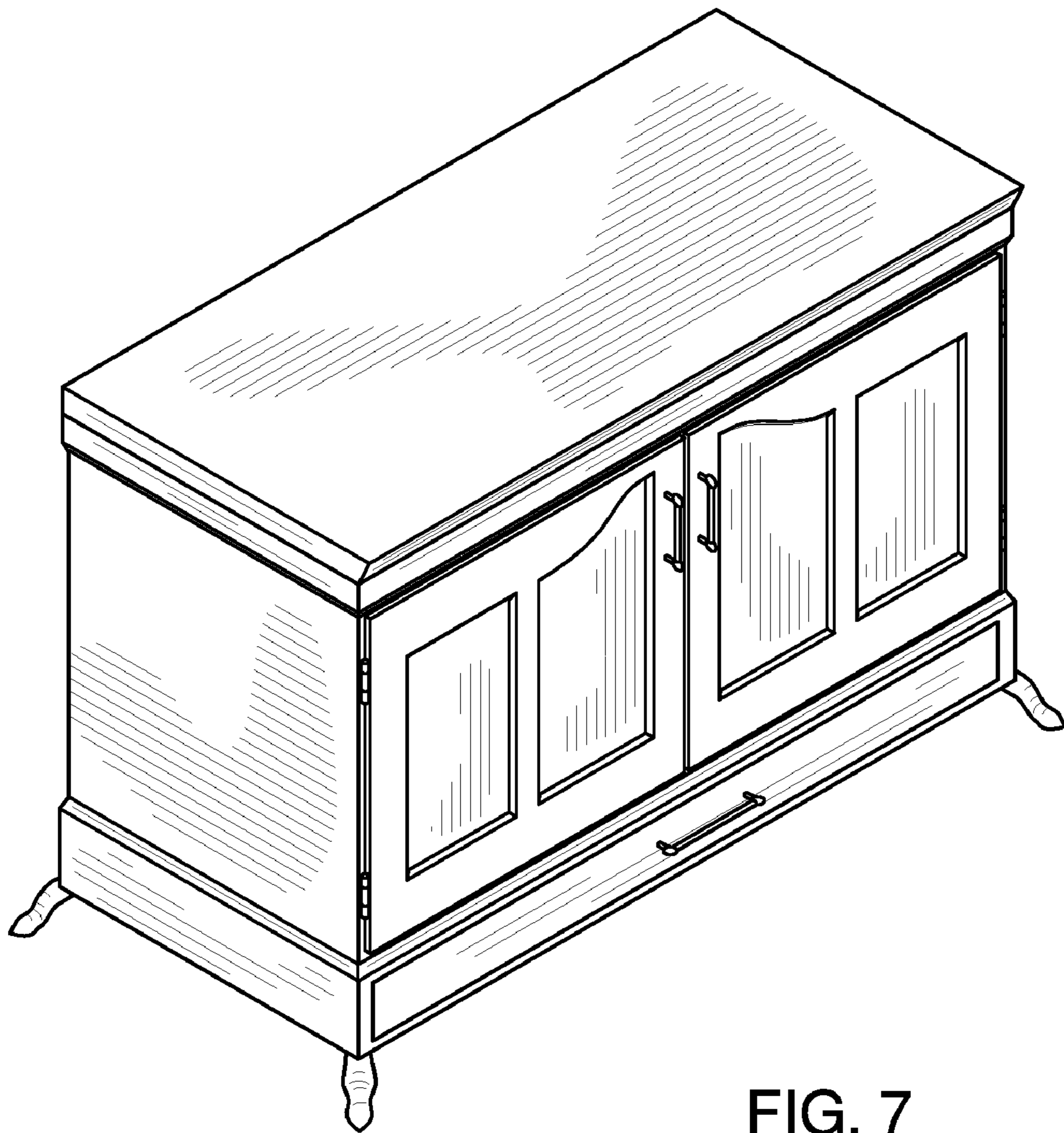


FIG. 7

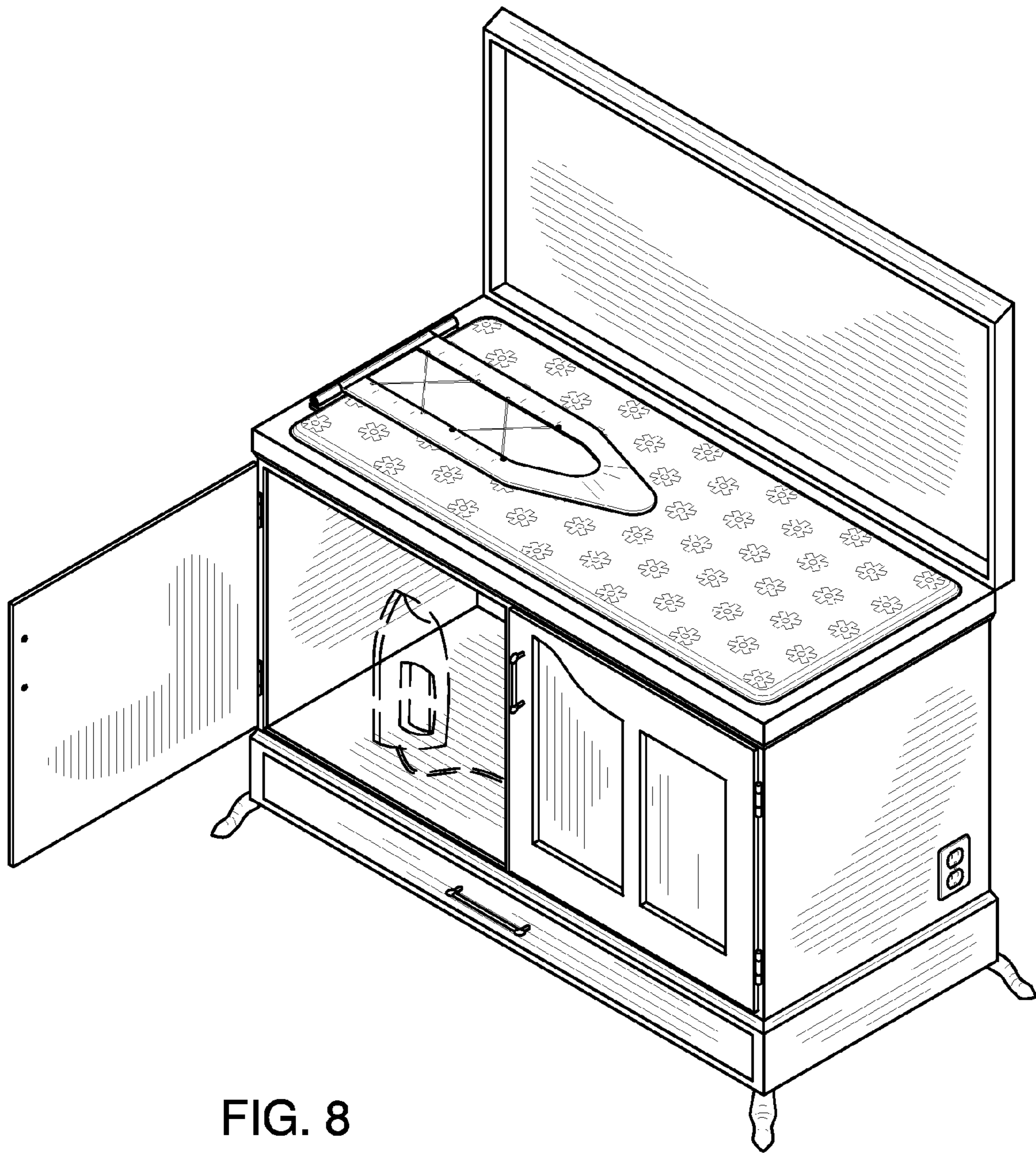


FIG. 8