



US00D597270S

(12) **United States Design Patent**  
**McNeil et al.**

(10) **Patent No.:** **US D597,270 S**  
(45) **Date of Patent:** **\*\* Jul. 28, 2009**

(54) **PUSH MOP**

(75) Inventors: **Meghan L. McNeil**, Grand Rapids, MI (US); **Douglas J. Medema**, Belding, MI (US)

(73) Assignee: **BISSELL Homecare, Inc.**, Grand Rapids, MI (US)

(\*\*) Term: **14 Years**

(21) Appl. No.: **29/327,814**

(22) Filed: **Nov. 13, 2008**

(51) **LOC (9) Cl.** ..... **04-01**

(52) **U.S. Cl.** ..... **D32/51**

(58) **Field of Classification Search** ..... D32/50, D32/40-41, 51-52, 49, 45; 15/115, 119.2, 15/116.2, 118, 229.3, 229.6-229.8, 228, 15/220.1, 171, 248.1; 428/198; 451/515, 451/190, 209.1, 288, 231; D4/199, 132

See application file for complete search history.

(56) **References Cited**

**U.S. PATENT DOCUMENTS**

4,119,386	A *	10/1978	Cushing	.....	401/138
5,343,587	A *	9/1994	Findley	.....	15/228
D396,908	S *	8/1998	Beechuk et al.	.....	D32/45
5,896,613	A *	4/1999	Courtney et al.	.....	15/118
D417,934	S *	12/1999	Footer et al.	.....	D32/42
6,332,234	B1 *	12/2001	Graham et al.	.....	15/228
D458,427	S *	6/2002	Kunkler et al.	.....	D32/45

D462,150	S *	8/2002	Rader et al.	.....	D32/40
6,540,424	B1 *	4/2003	Hall et al.	.....	401/140
D487,174	S *	2/2004	Colman et al.	.....	D32/45
D497,699	S *	10/2004	Chi-Hsiang et al.	.....	D32/45
D548,909	S *	8/2007	Murray	.....	D32/45
D564,162	S *	3/2008	Cheng	.....	D32/50

\* cited by examiner

*Primary Examiner*—Pamela J Burgess

(74) *Attorney, Agent, or Firm*—McGarry Bair PC

(57) **CLAIM**

The ornamental design for a design for a push mop, as shown and described.

**DESCRIPTION**

FIG. 1 is a front right side perspective view of a design for a push mop which embodies our design;

FIG. 2 is a front view thereof;

FIG. 3 is a rear view thereof;

FIG. 4 is a left side view, the right side view being a mirror image thereof;

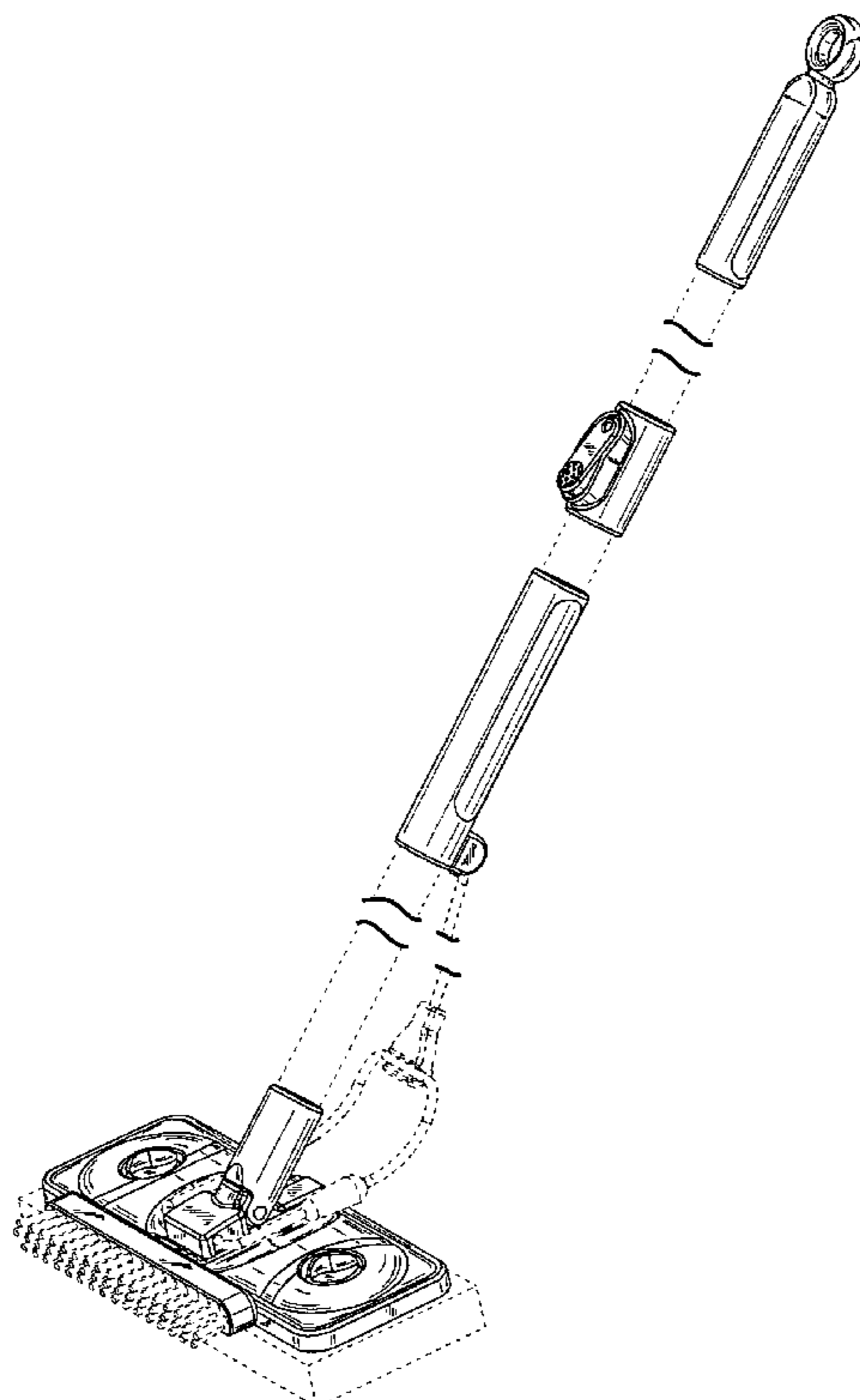
FIG. 5 is a top view thereof; and,

FIG. 6 is a bottom view thereof.

The broken lines shown are for illustrative purposes only and form no part of the claimed design.

The use of the discontinuous rendering of the mop handle represents indeterminate length.

**1 Claim, 4 Drawing Sheets**



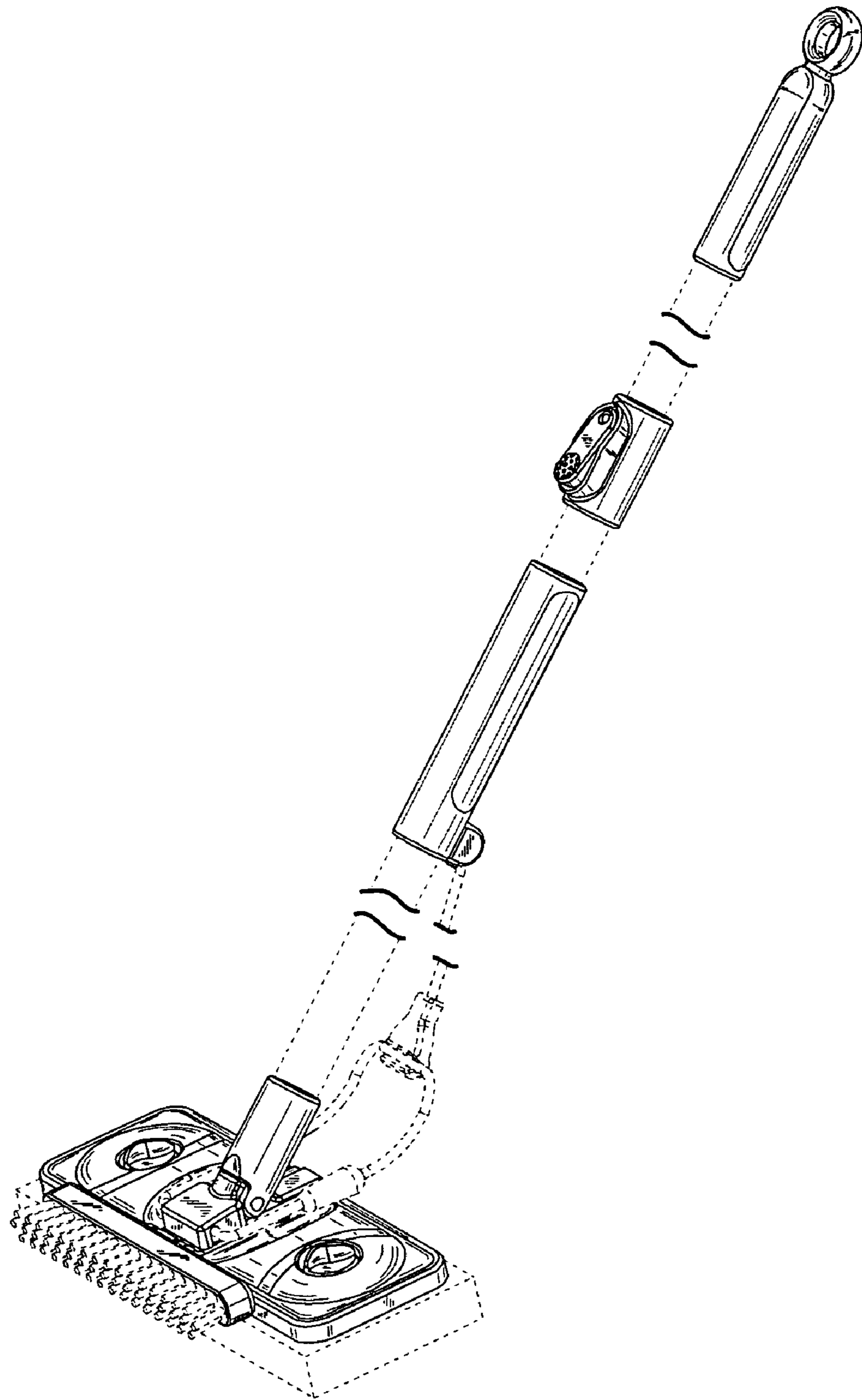


Fig. 1

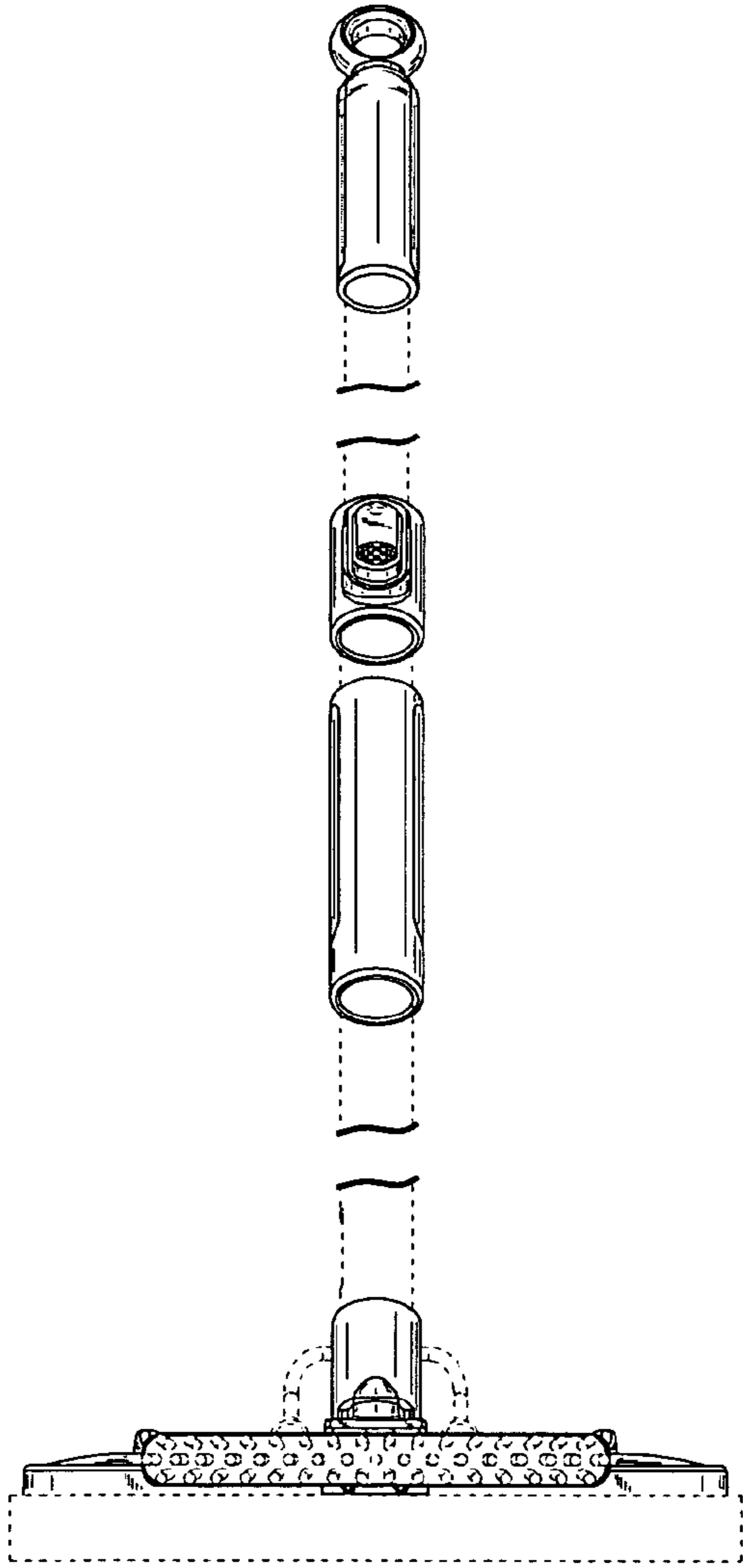


Fig. 2

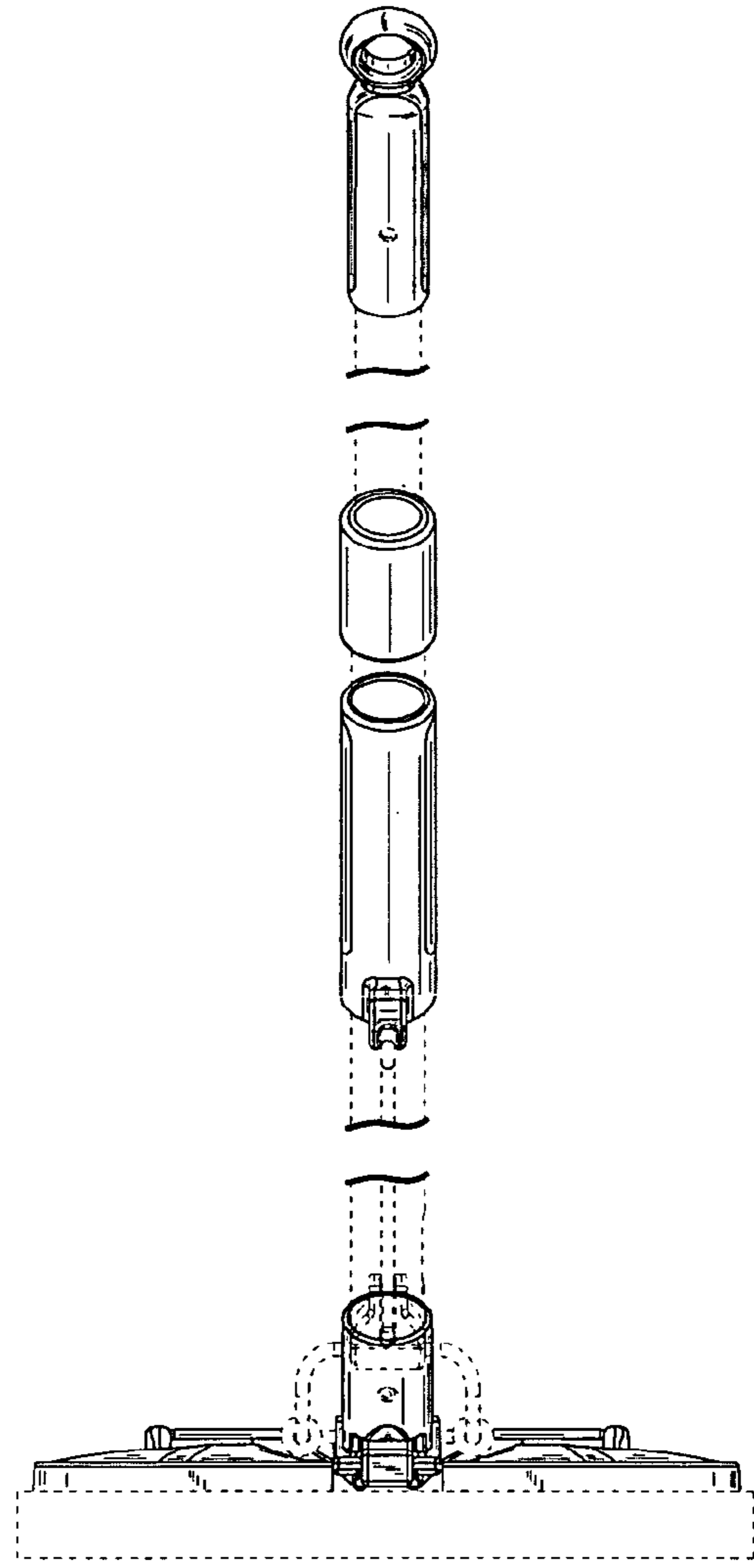


Fig. 3

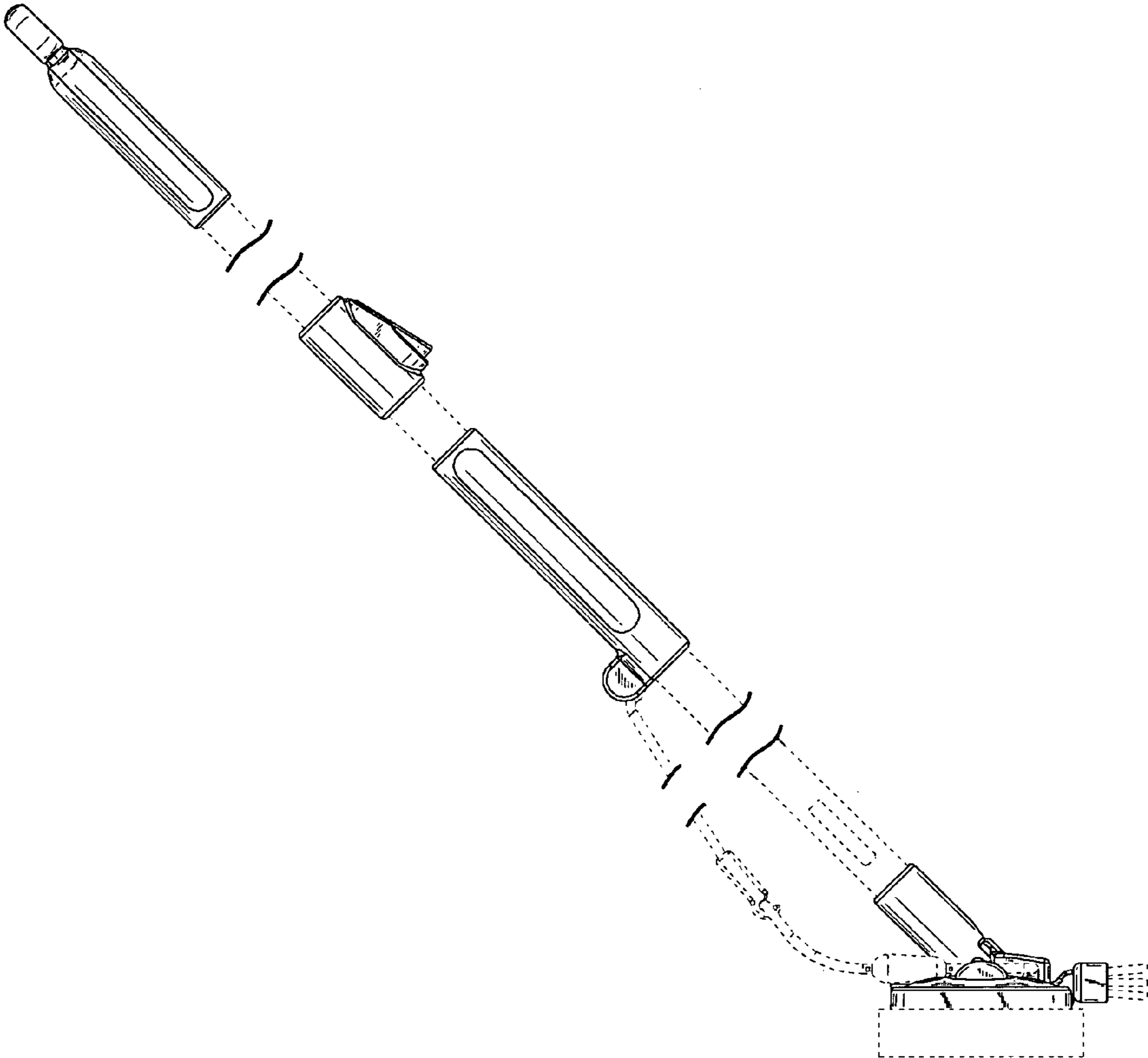


Fig. 4

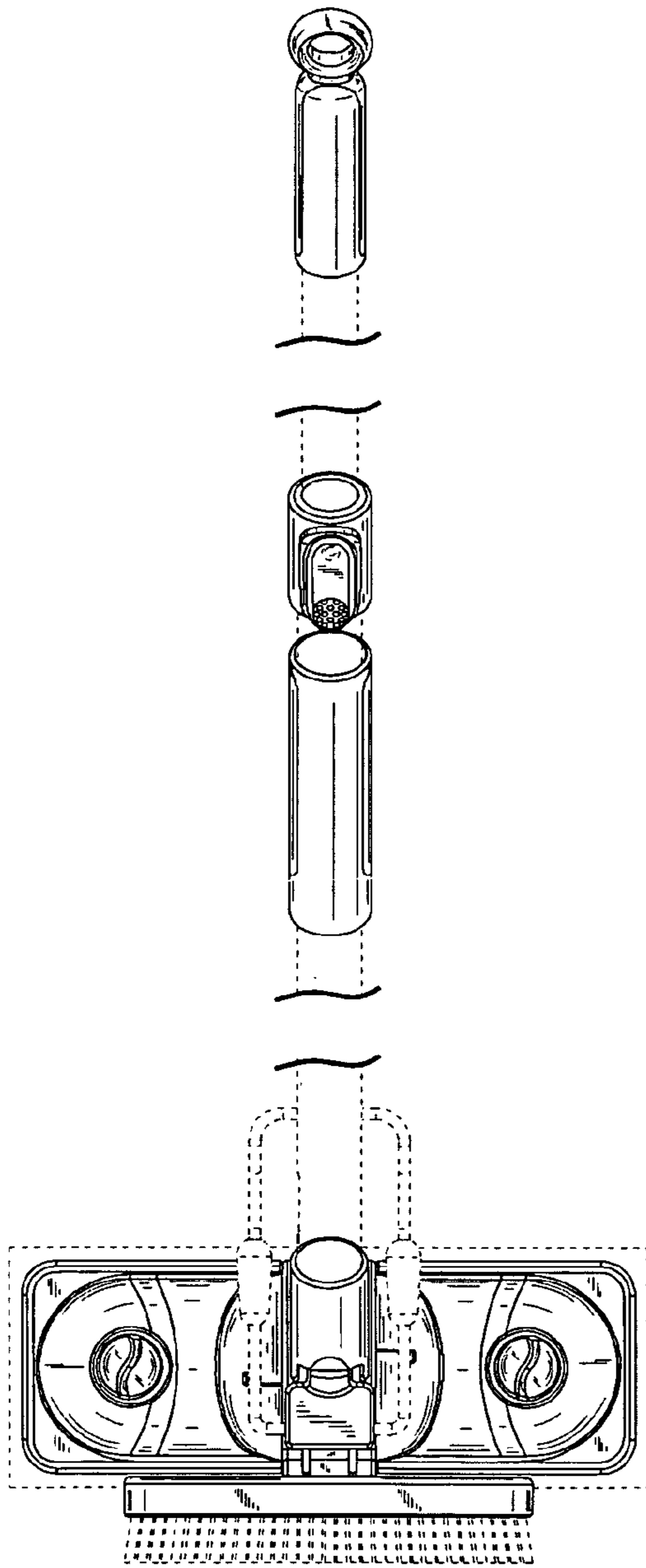


Fig. 5

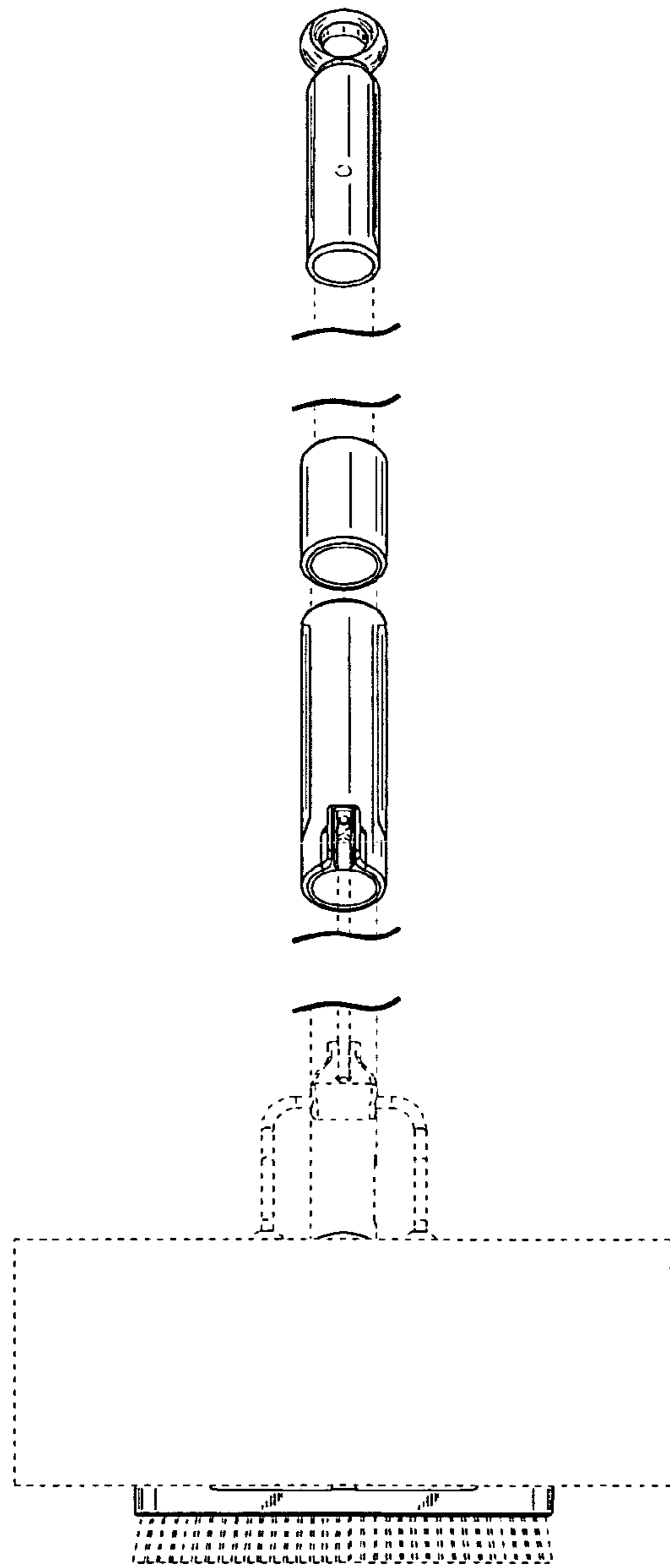


Fig. 6