

US00D597269S

(12) **United States Design Patent**  
**McNeil et al.**

(10) **Patent No.:** **US D597,269 S**  
(45) **Date of Patent:** **\*\* Jul. 28, 2009**

(54) **FLOOR DUSTER**

(75) Inventors: **Meghan L. McNeil**, Grand Rapids, MI (US); **Douglas J. Medema**, Belding, MI (US)

(73) Assignee: **Bissell Homecare, Inc.**, Grand Rapids, MI (US)

(\*\*) Term: **14 Years**

(21) Appl. No.: **29/327,803**

(22) Filed: **Nov. 13, 2008**

(51) **LOC (9) Cl.** ..... **04-01**

(52) **U.S. Cl.** ..... **D32/45; D32/50**

(58) **Field of Classification Search** ..... D32/50, D32/40, 51-52, 49; 15/115, 119.2, 116.2, 15/118, 229.3, 229.6-229.8, 228, 220.1; 428/198; 451/515, 190, 209.1, 288, 231  
See application file for complete search history.

(56) **References Cited**

**U.S. PATENT DOCUMENTS**

3,099,855	A *	8/1963	Nash	.....	15/231
4,225,998	A *	10/1980	Thielen	.....	15/231
D302,759	S *	8/1989	Batchelor	.....	D32/44
4,852,210	A *	8/1989	Krajicek	.....	15/228
5,343,586	A *	9/1994	Vosbikian	.....	15/121
D395,169	S *	6/1998	Yang	.....	D4/137
5,960,508	A *	10/1999	Holt et al.	.....	15/228
6,044,513	A *	4/2000	Penn	.....	15/118

6,810,554	B2 *	11/2004	McKay	.....	15/228
6,871,372	B2 *	3/2005	Vosbikian et al.	.....	15/115
D515,759	S *	2/2006	Fischer	.....	D32/45
D548,909	S *	8/2007	Murray	.....	D32/45
D564,164	S *	3/2008	Harper et al.	.....	D32/51

\* cited by examiner

*Primary Examiner*—Pamela J Burgess

(74) *Attorney, Agent, or Firm*—McGarry Bair PC

(57) **CLAIM**

The ornamental design for a floor duster, as shown and described.

**DESCRIPTION**

The use of the discontinuous rendering of the mop handle represents indeterminate length.

FIG. 1 is a front right side perspective view of a floor duster which embodies our design;

FIG. 2 is a front view thereof;

FIG. 3 is a rear view thereof;

FIG. 4 is a left side view thereof;

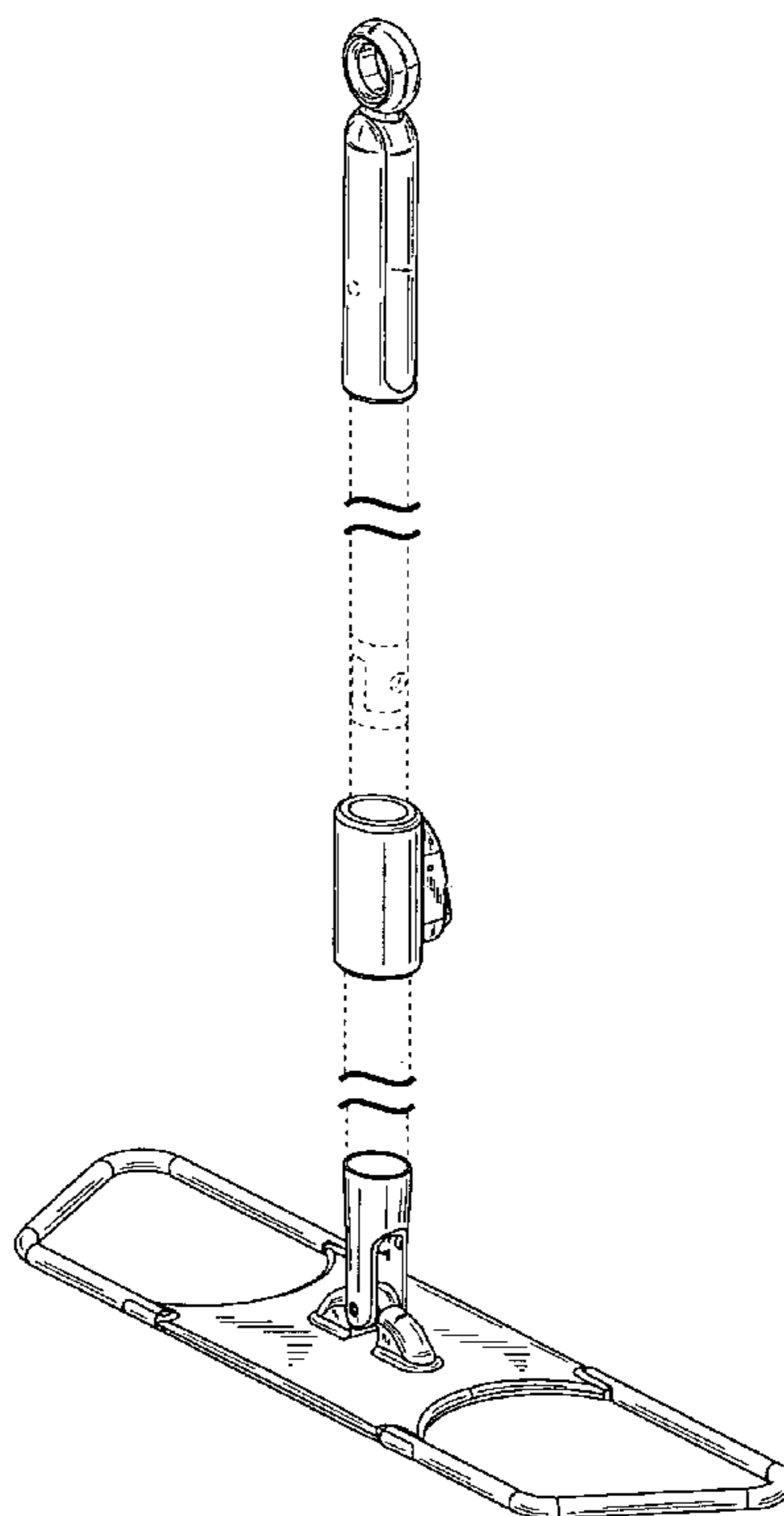
FIG. 5 is a right side view thereof; and,

FIG. 6 is a top view thereof.

The bottom view is unornamented and not considered a part of the claimed design.

The broken lines shown are for illustrative purposes only and form no part of the claimed design.

**1 Claim, 5 Drawing Sheets**



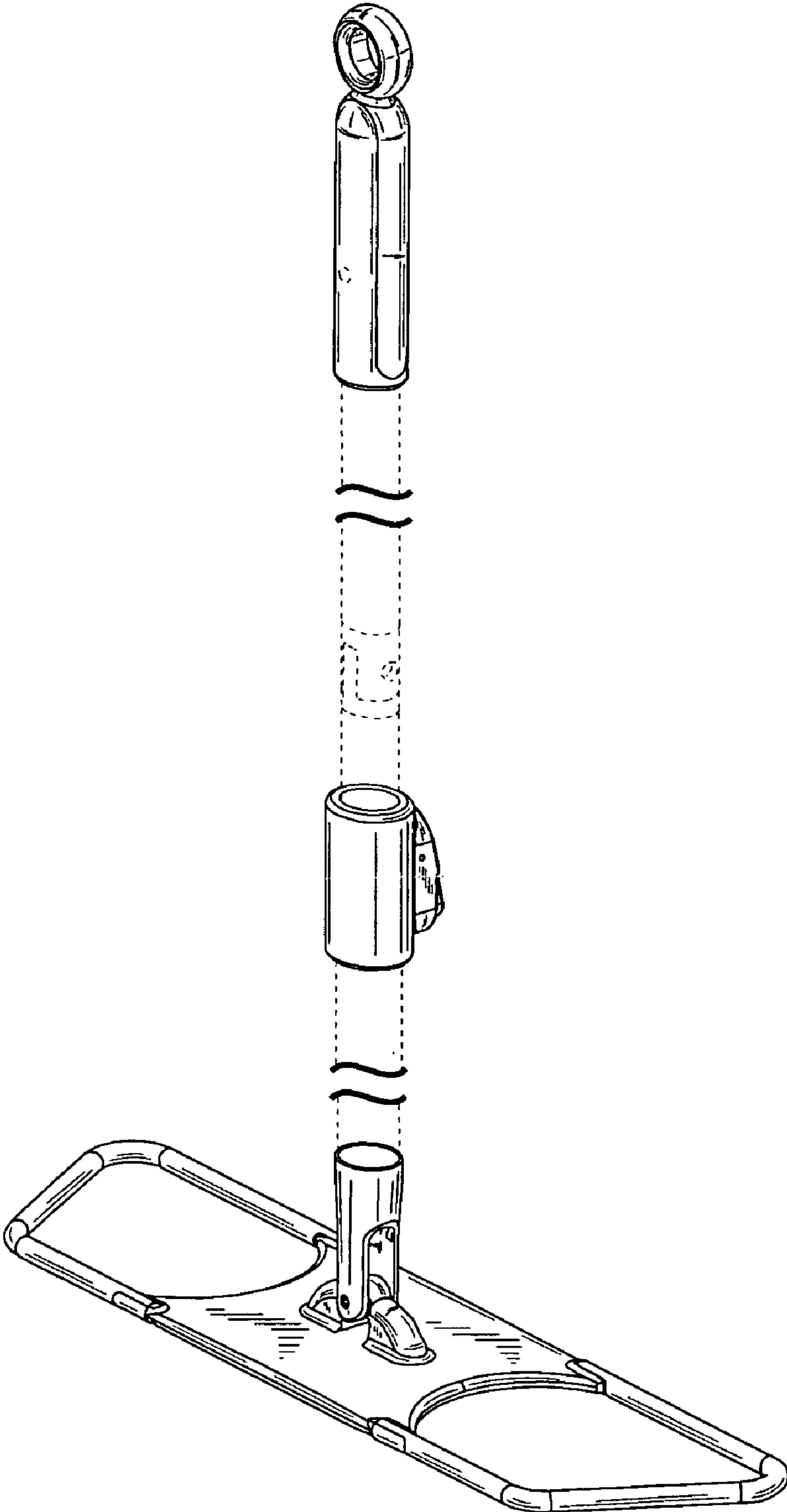


Fig. 1

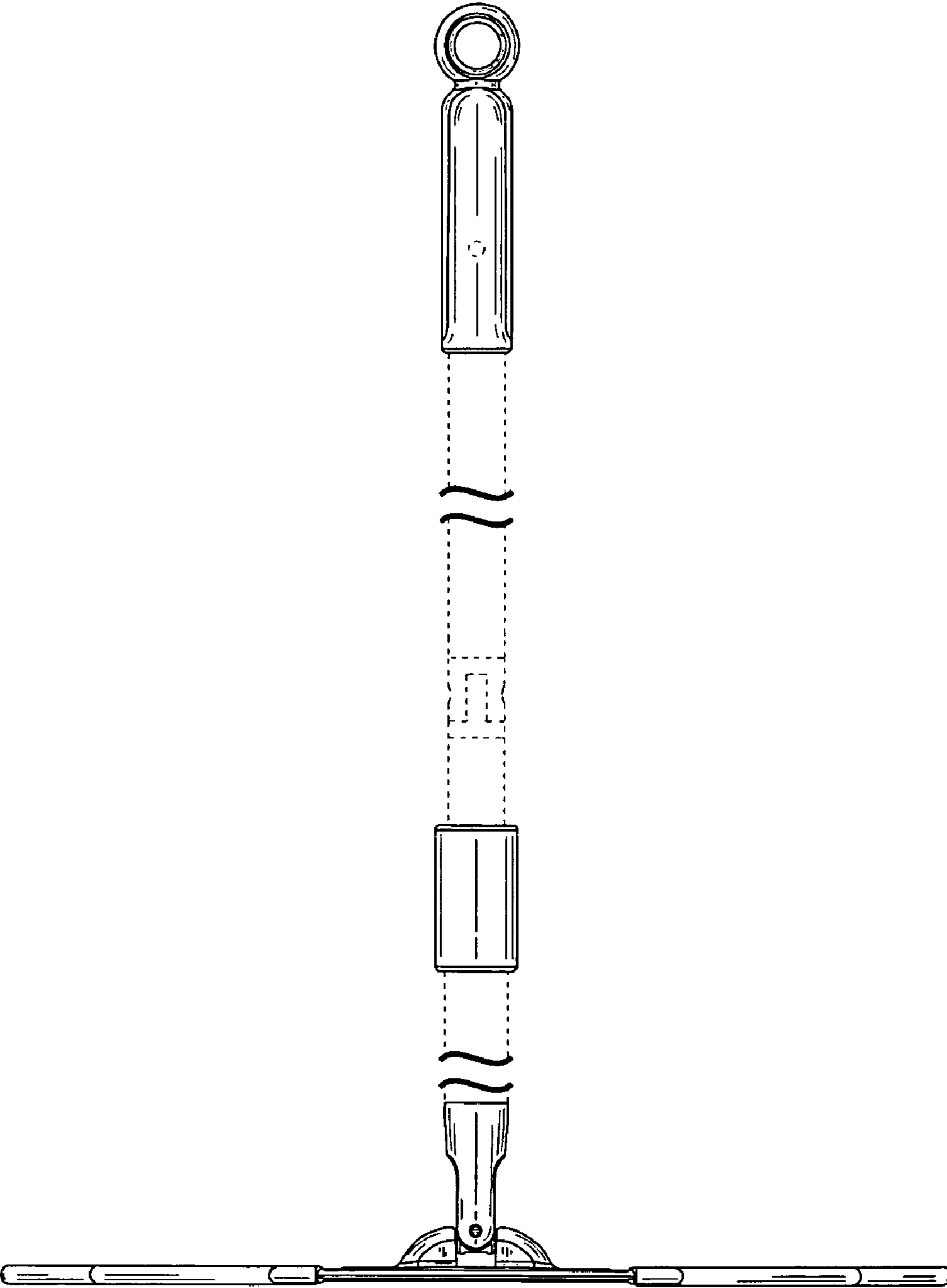
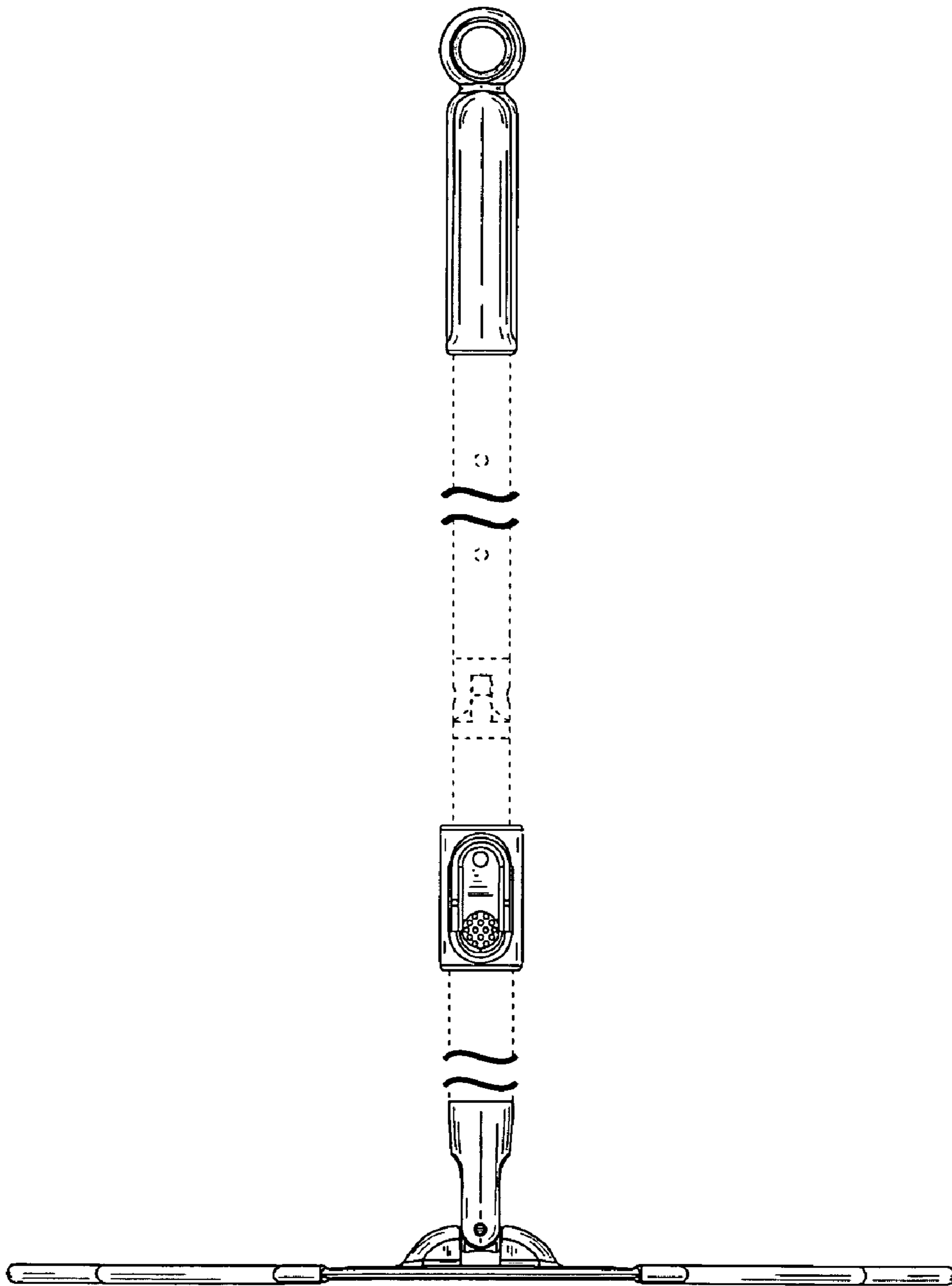


Fig. 2



**Fig. 3**

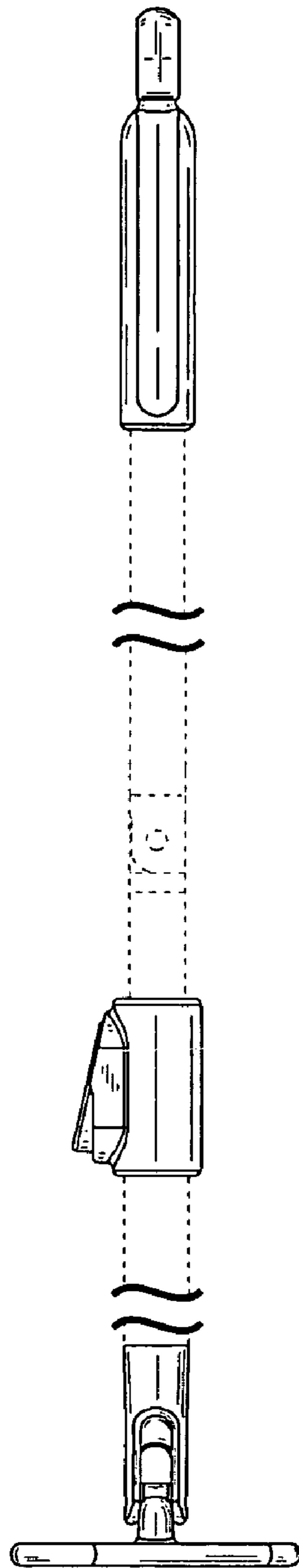


Fig. 4

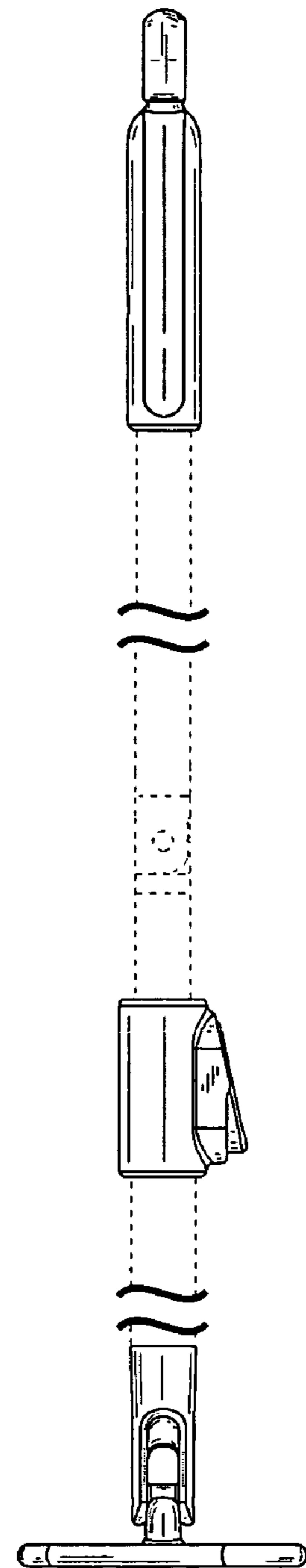
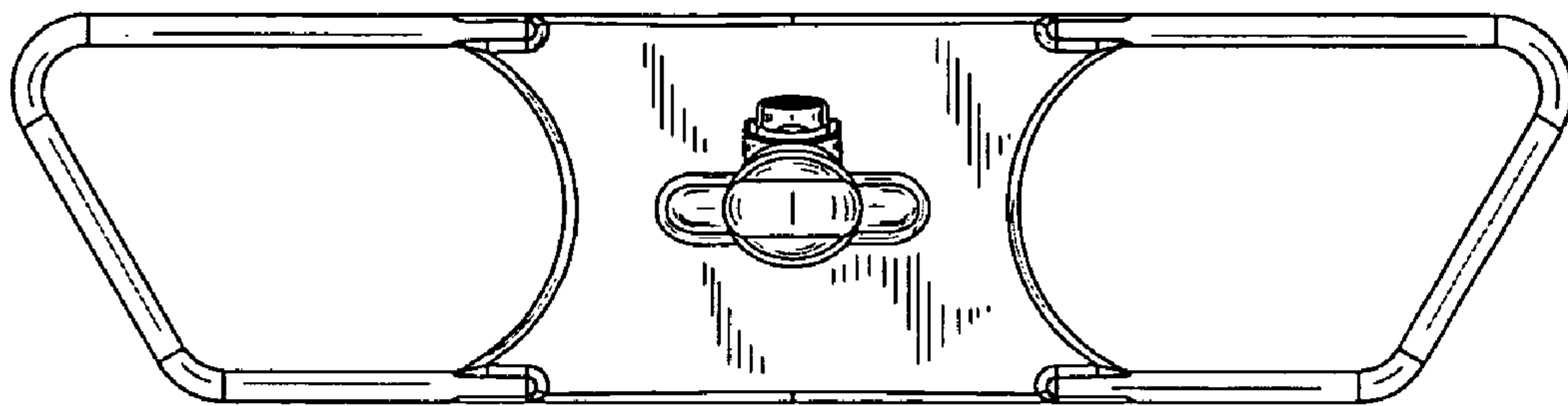


Fig. 5



**Fig. 6**