



US00D597268S

(12) **United States Design Patent**
Santiago et al.

(10) **Patent No.:** **US D597,268 S**
(45) **Date of Patent:** **** Jul. 28, 2009**

(54) **FLOOR CLEANER BASE PORTION**

(75) Inventors: **Jose Carlito Santiago**, Grand Rapids, MI (US); **Douglas J. Medema**, Belding, MI (US)

(73) Assignee: **Bissell Homecare, Inc.**, Grand Rapids, MI (US)

(**) Term: **14 Years**

(21) Appl. No.: **29/304,964**

(22) Filed: **Mar. 11, 2008**

(51) **LOC (9) Cl.** **15-05**

(52) **U.S. Cl.** **D32/32**

(58) **Field of Classification Search** D32/31-33, D32/22; 15/354, 364, 366, 379, 383, 398, 15/412, 414, 415.1-422, 422.1, 350-351, 15/362, 321-322, 400

See application file for complete search history.

(56) **References Cited**

U.S. PATENT DOCUMENTS

- D475,823 S * 6/2003 Medema et al. D32/32
- D487,602 S * 3/2004 Roberts et al. D32/32
- D506,047 S * 6/2005 Alford et al. D32/32
- D506,048 S * 6/2005 Downey et al. D32/32

- D506,586 S * 6/2005 Carr et al. D32/32
- D508,153 S * 8/2005 Alford et al. D32/32
- D553,314 S * 10/2007 Parr et al. D32/32
- D566,356 S * 4/2008 Medema D32/32
- D571,066 S * 6/2008 Luebbering D32/32
- D587,870 S * 3/2009 Baek et al. D32/22
- 2003/0145420 A1 * 8/2003 Park et al. 15/351

* cited by examiner

Primary Examiner—Ruth McInroy

(74) *Attorney, Agent, or Firm*—McGarry Bair PC

(57) **CLAIM**

The ornamental design for a floor cleaner base portion, as shown and described.

DESCRIPTION

FIG. 1 is a front perspective view of a floor cleaner base portion which embodies our design;

FIG. 2 is a front view thereof;

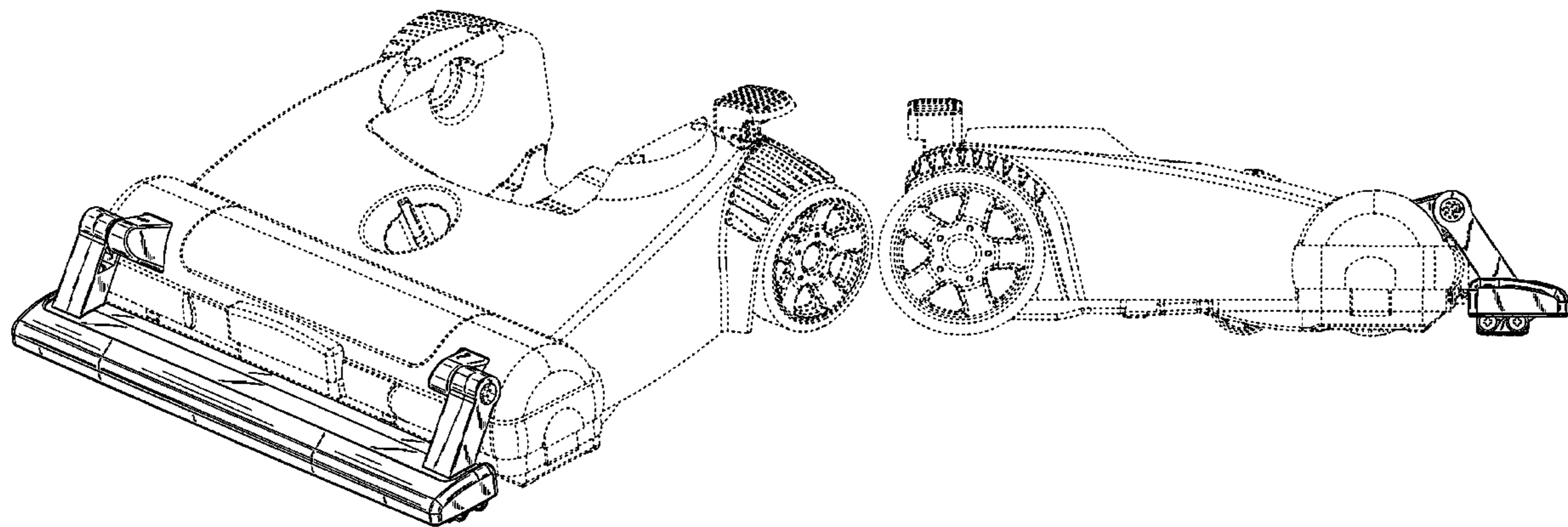
FIG. 3 is a left side view thereof;

FIG. 4 is a top view thereof; and,

FIG. 5 is a rear perspective view thereof.

The material in dotted lines forms no part of our design.

1 Claim, 5 Drawing Sheets



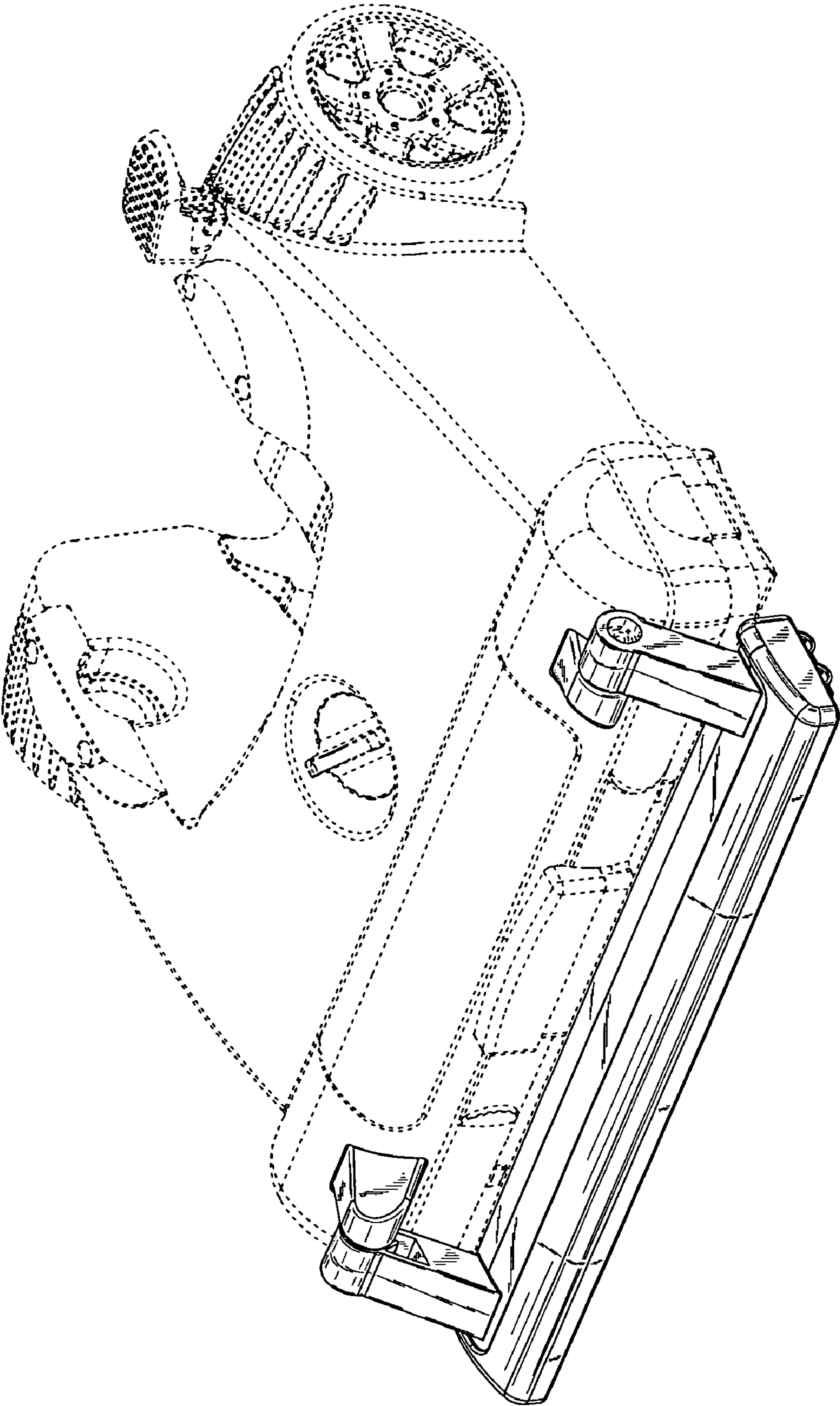


Fig. 1

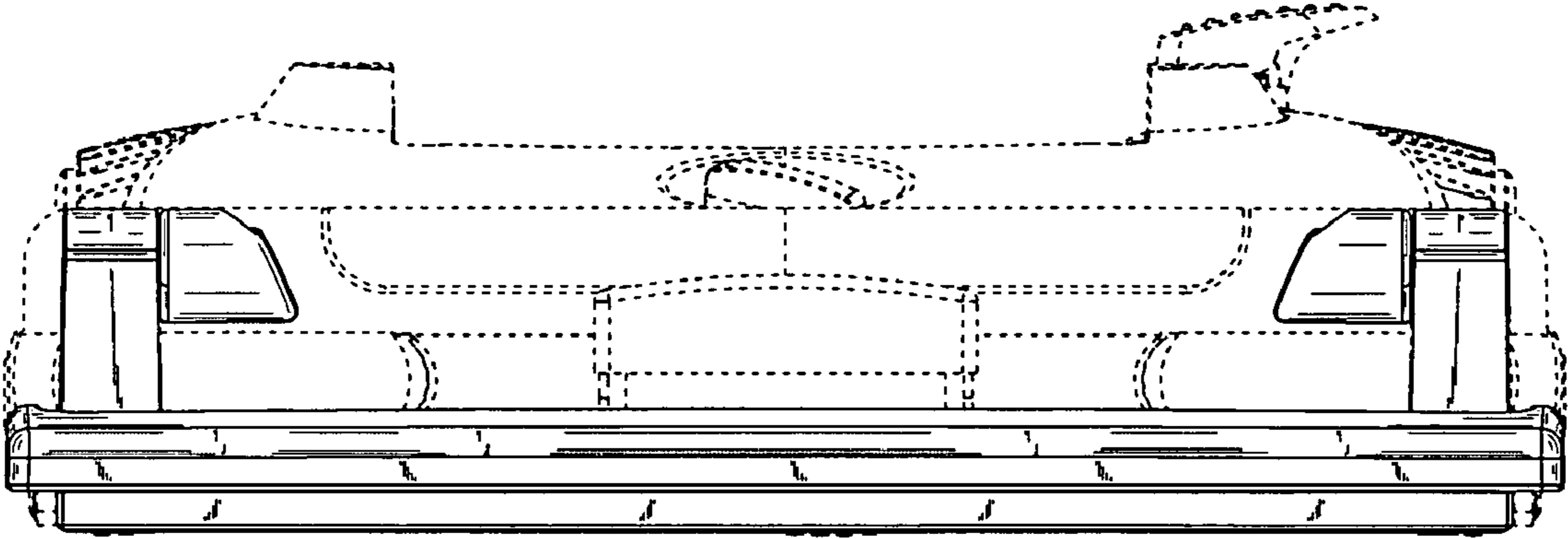


Fig. 2



Fig. 3

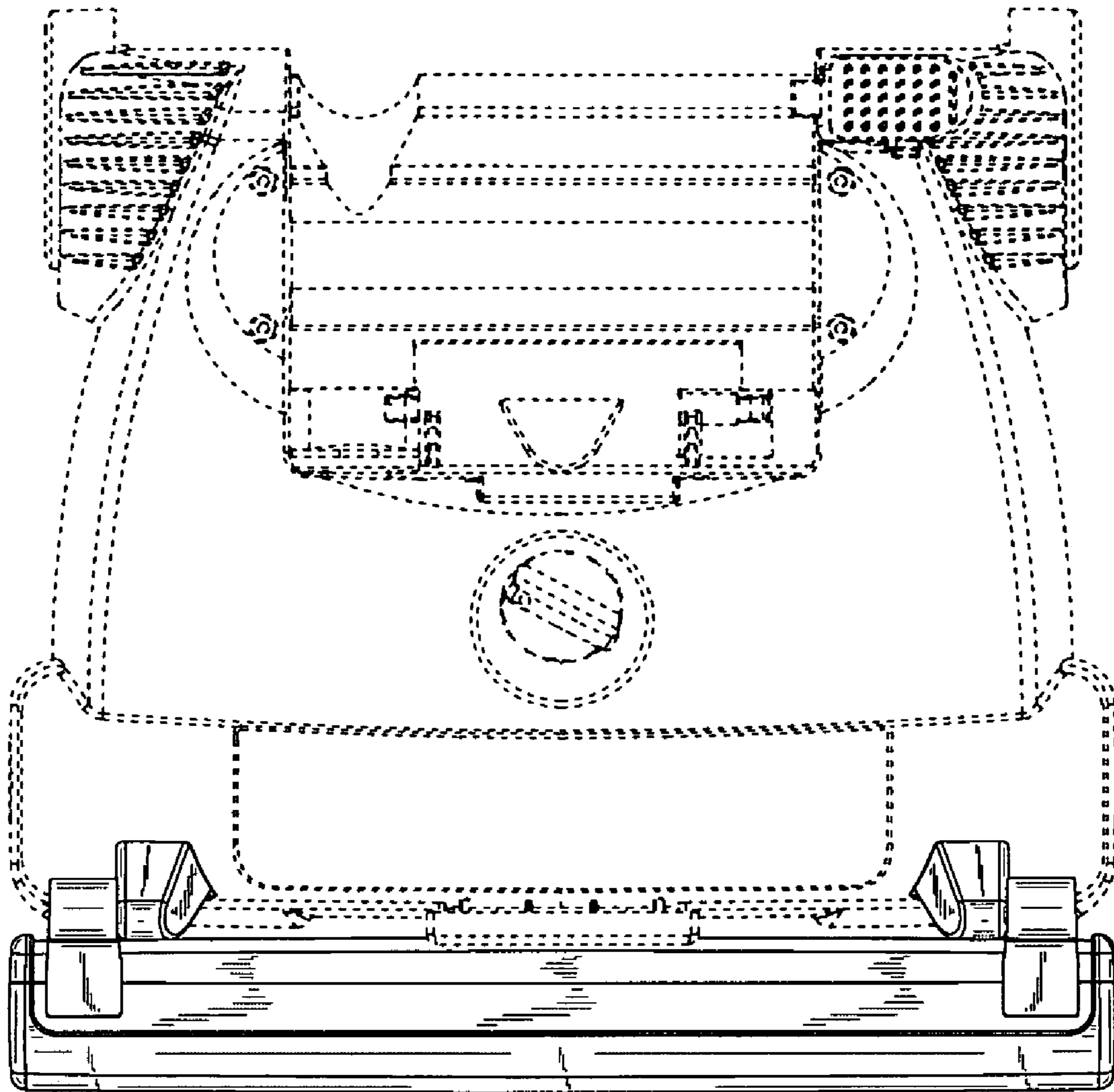


Fig. 4

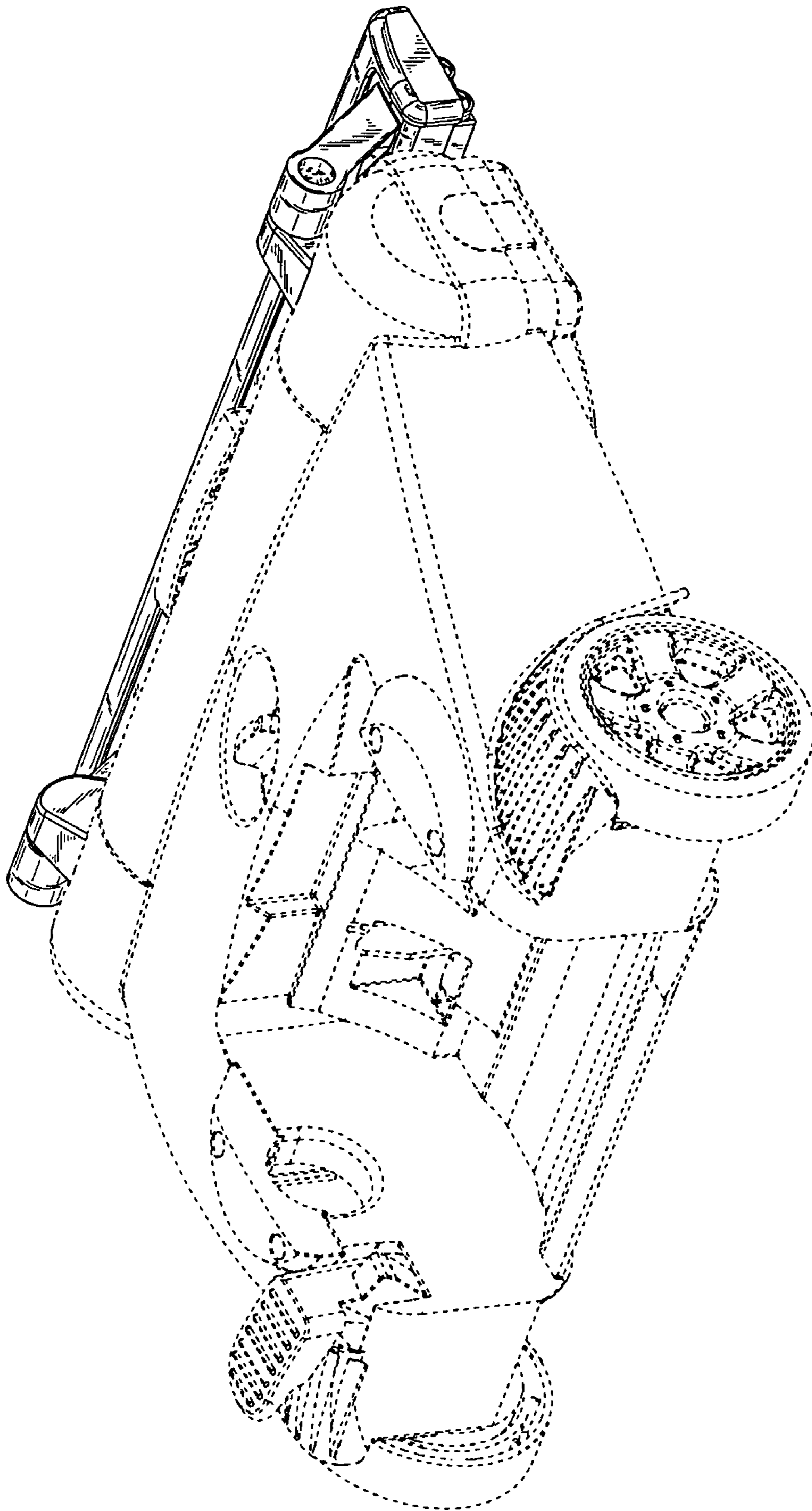


Fig. 5