

US00D597267S

(12) **United States Design Patent**  
**Santiago**

(10) **Patent No.:** **US D597,267 S**  
(45) **Date of Patent:** **\*\* Jul. 28, 2009**

(54) **FLOOR CLEANER BASE PORTION**

(75) Inventor: **Jose Carlito Santiago**, Grand Rapids, MI (US)

(73) Assignee: **Bissell Homecare, Inc.**, Grand Rapids, MI (US)

(\*\*) Term: **14 Years**

(21) Appl. No.: **29/304,963**

(22) Filed: **Mar. 11, 2008**

(51) **LOC (9) Cl.** ..... **15-05**

(52) **U.S. Cl.** ..... **D32/32**

(58) **Field of Classification Search** ..... D32/31-33,  
D32/22; 15/354, 364, 366, 379, 383, 398,  
15/412, 414, 415.1-422, 422.1, 350-351,  
15/362, 321-322, 400

See application file for complete search history.

(56) **References Cited**

U.S. PATENT DOCUMENTS

D475,823 S *	6/2003	Medema et al.	.....	D32/32
D487,602 S *	3/2004	Roberts et al.	.....	D32/32
D499,518 S	12/2004	Downey et al.		
D506,047 S *	6/2005	Alford et al.	.....	D32/32
D506,048 S *	6/2005	Downey et al.	.....	D32/32
D506,586 S *	6/2005	Carr et al.	.....	D32/32

D508,153 S *	8/2005	Alford et al.	.....	D32/32
D553,314 S *	10/2007	Parr et al.	.....	D32/32
D571,066 S *	6/2008	Luebbering	.....	D32/32
D587,870 S *	3/2009	Baek et al.	.....	D32/22
2003/0145420 A1 *	8/2003	Park et al.	.....	15/351

\* cited by examiner

*Primary Examiner*—Ruth McInroy

(74) *Attorney, Agent, or Firm*—McGarry Bair PC

(57) **CLAIM**

The ornamental design for a floor cleaner base portion, as shown and described.

**DESCRIPTION**

FIG. 1 is a perspective view of a floor cleaner base portion which embodies our design;

FIG. 2 is a front view thereof;

FIG. 3 is a rear view thereof;

FIG. 4 is a left side view thereof;

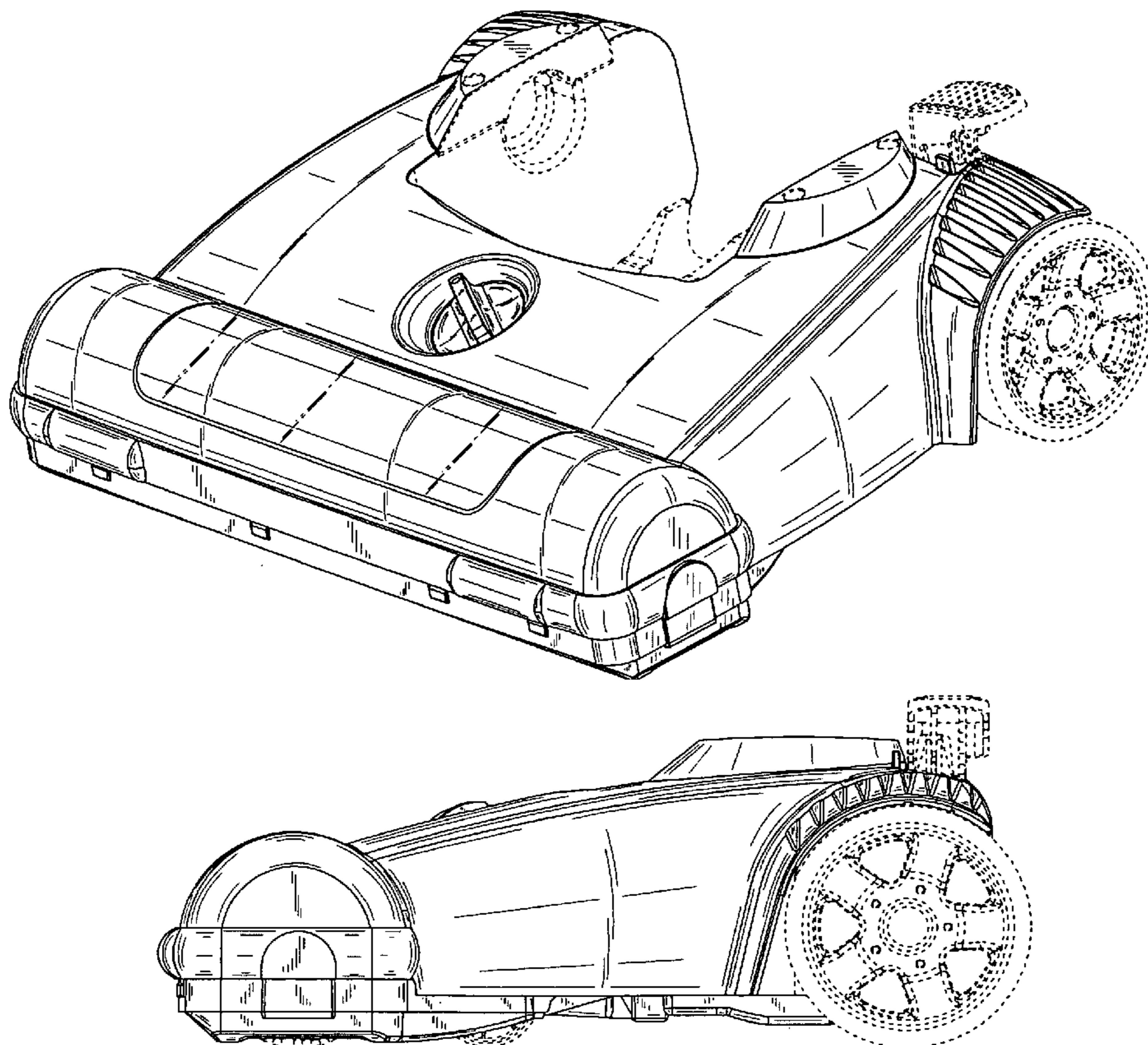
FIG. 5 is a right side view thereof;

FIG. 6 is a top view thereof; and,

FIG. 7 is a rear perspective view thereof.

The material in dotted lines forms no part of our design.

**1 Claim, 5 Drawing Sheets**



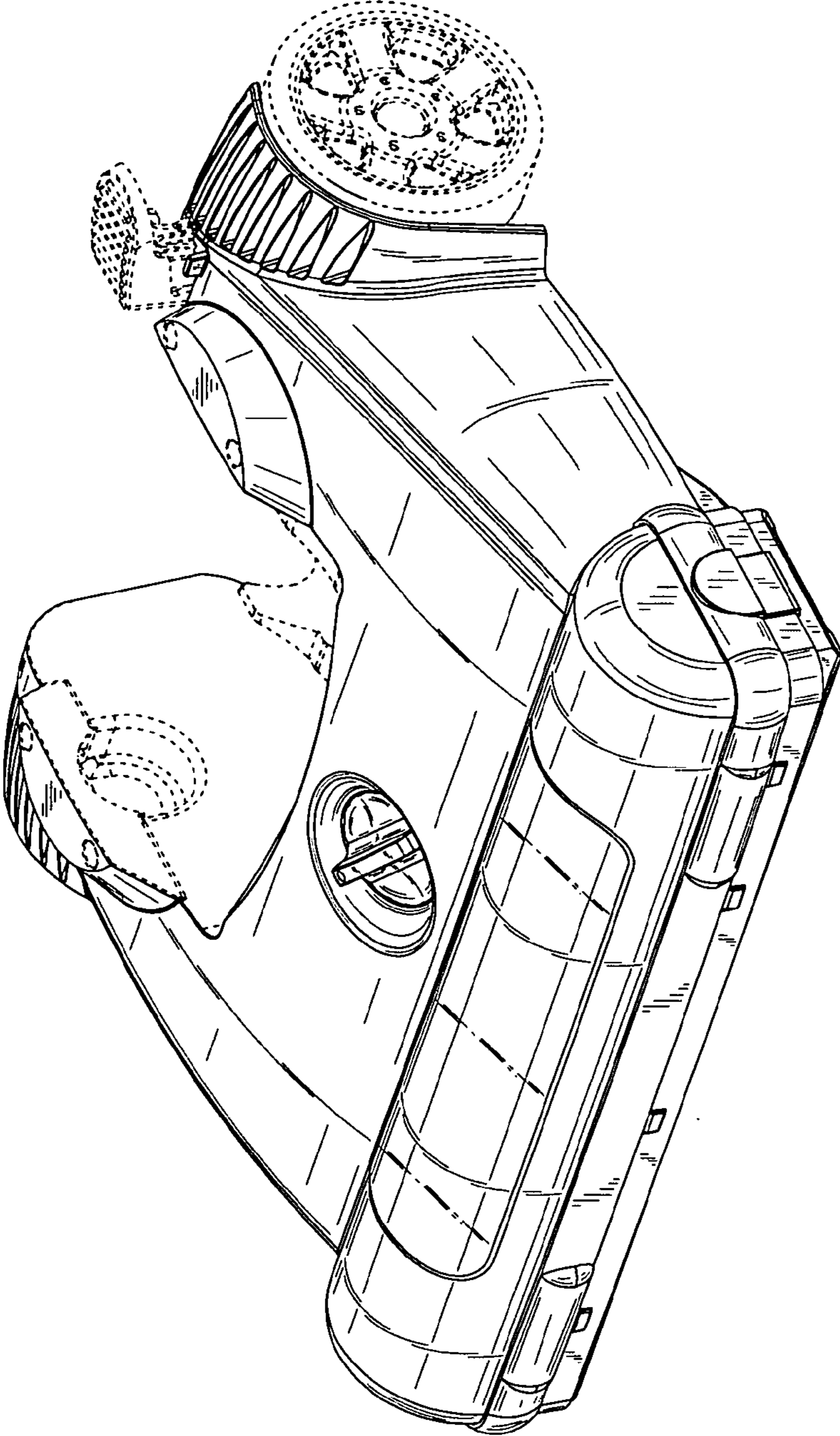


Fig. 1

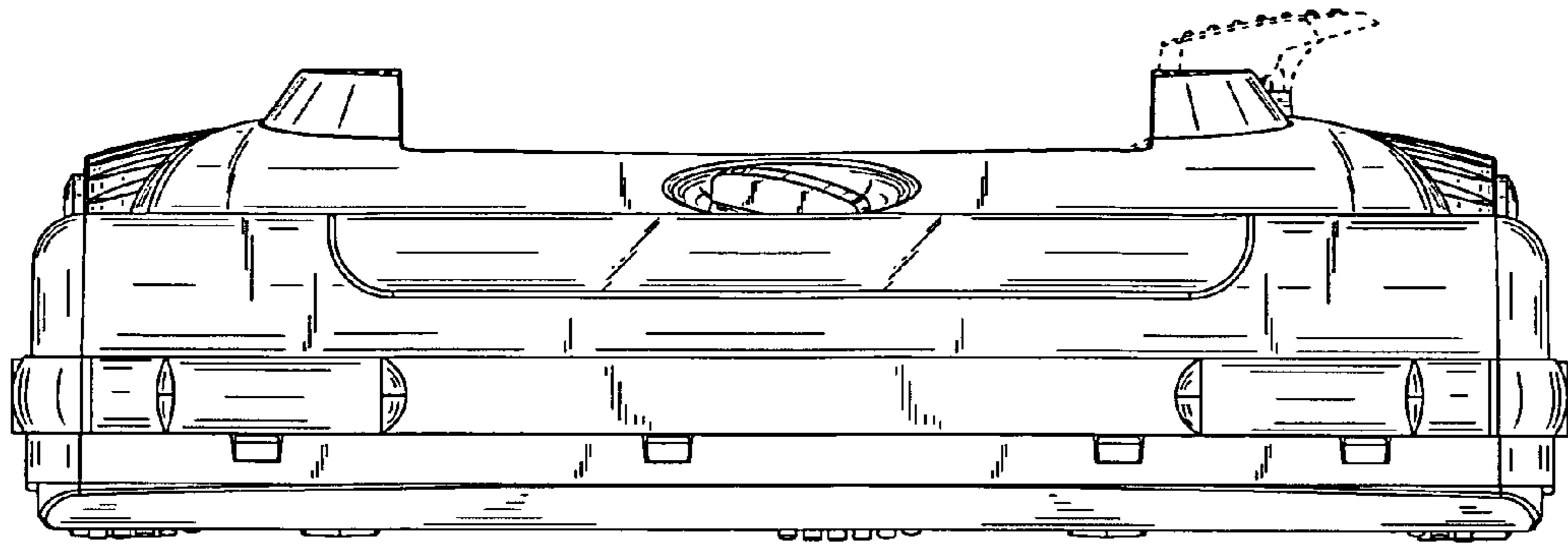


Fig. 2

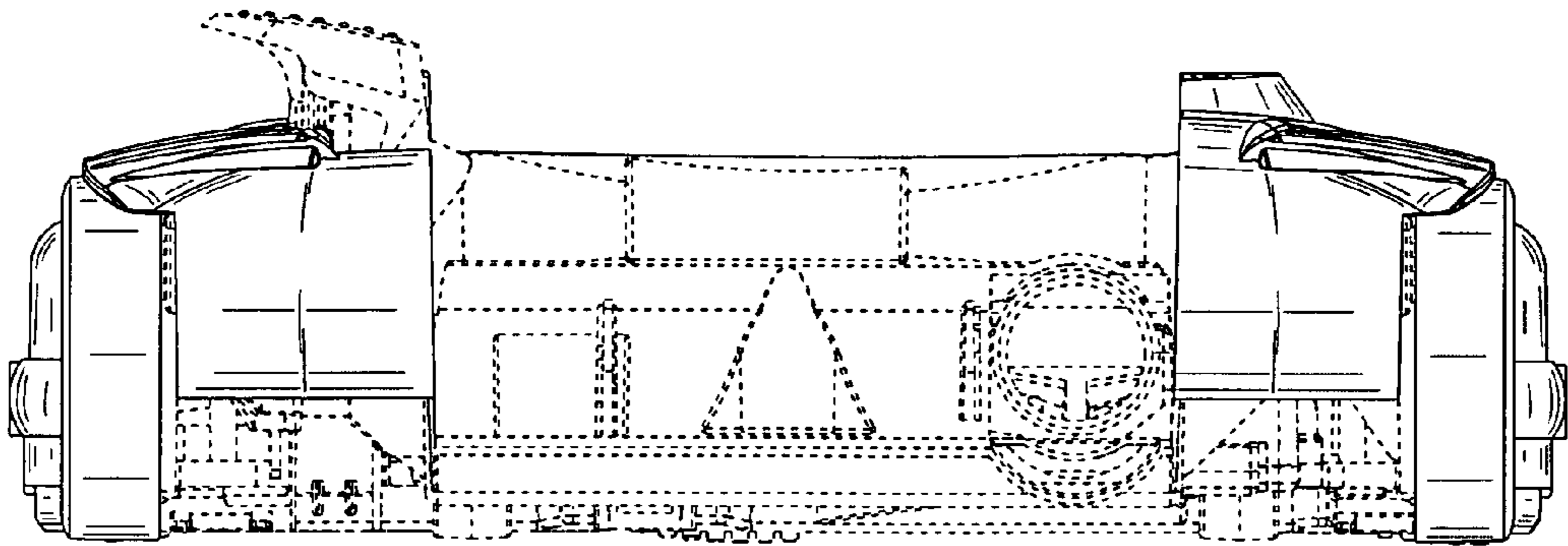
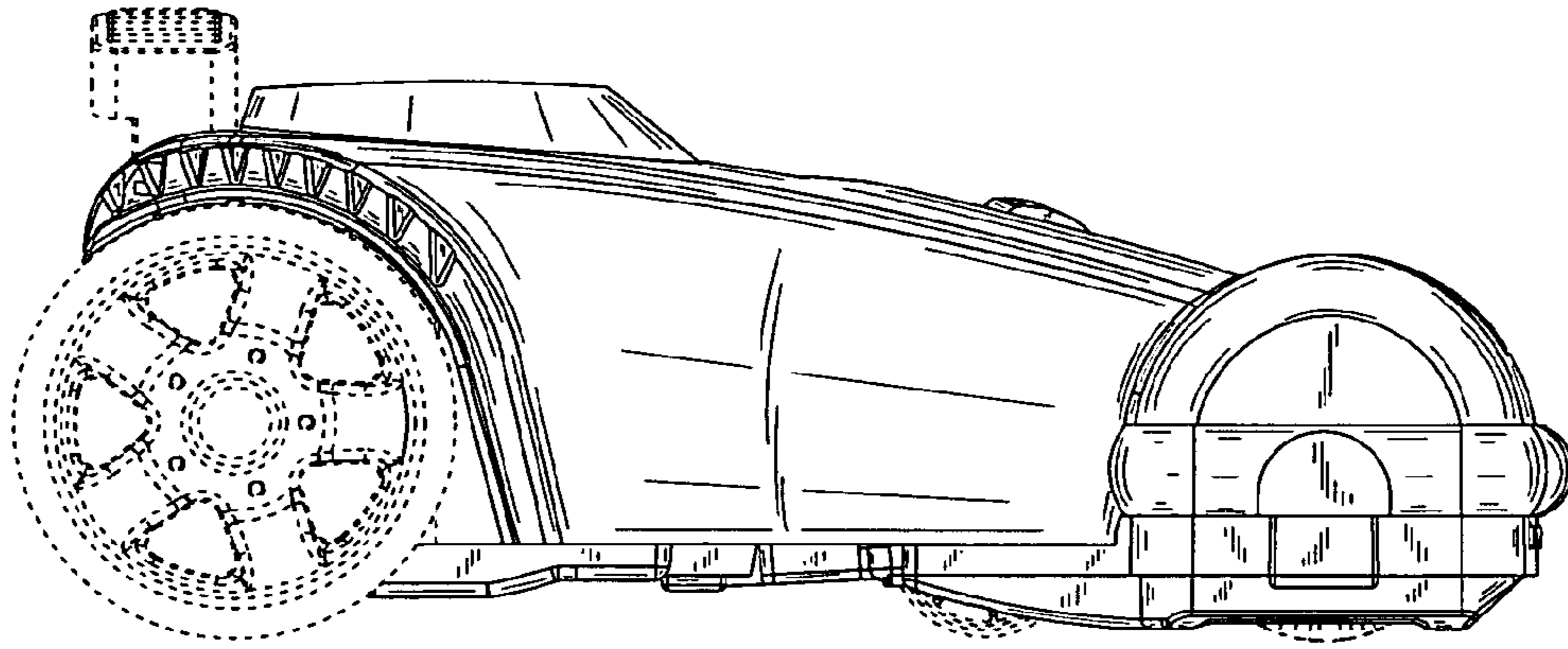
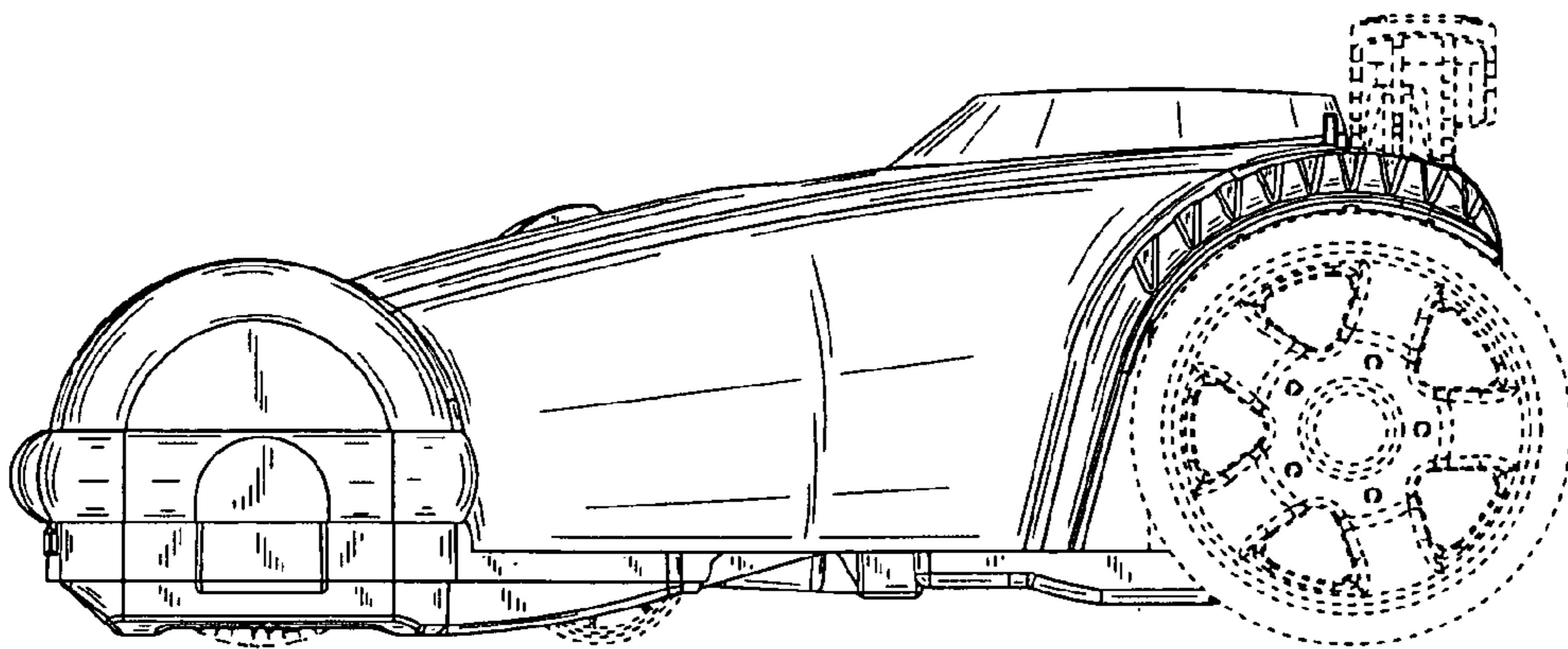


Fig. 3



**Fig. 4**



**Fig. 5**

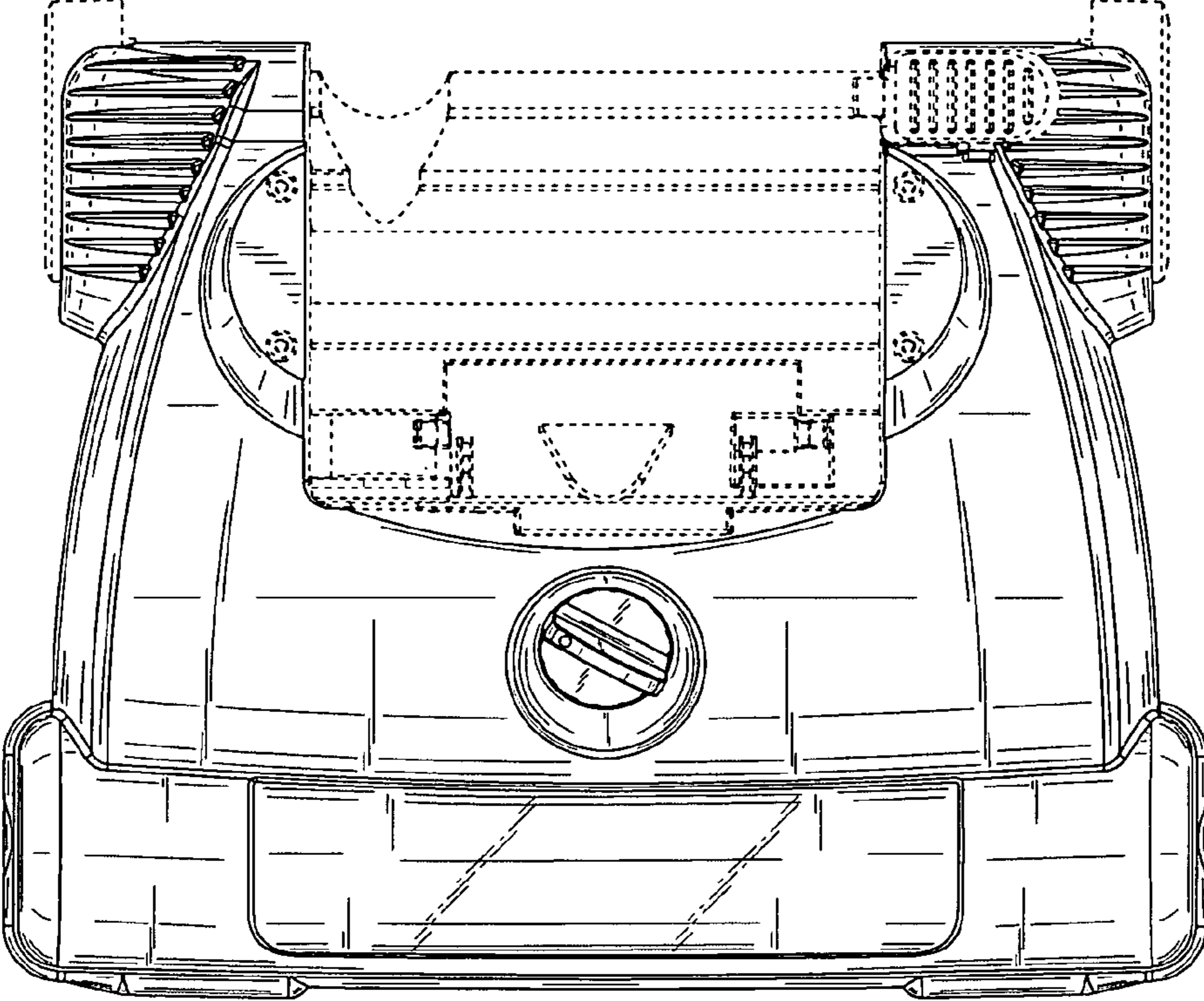


Fig. 6

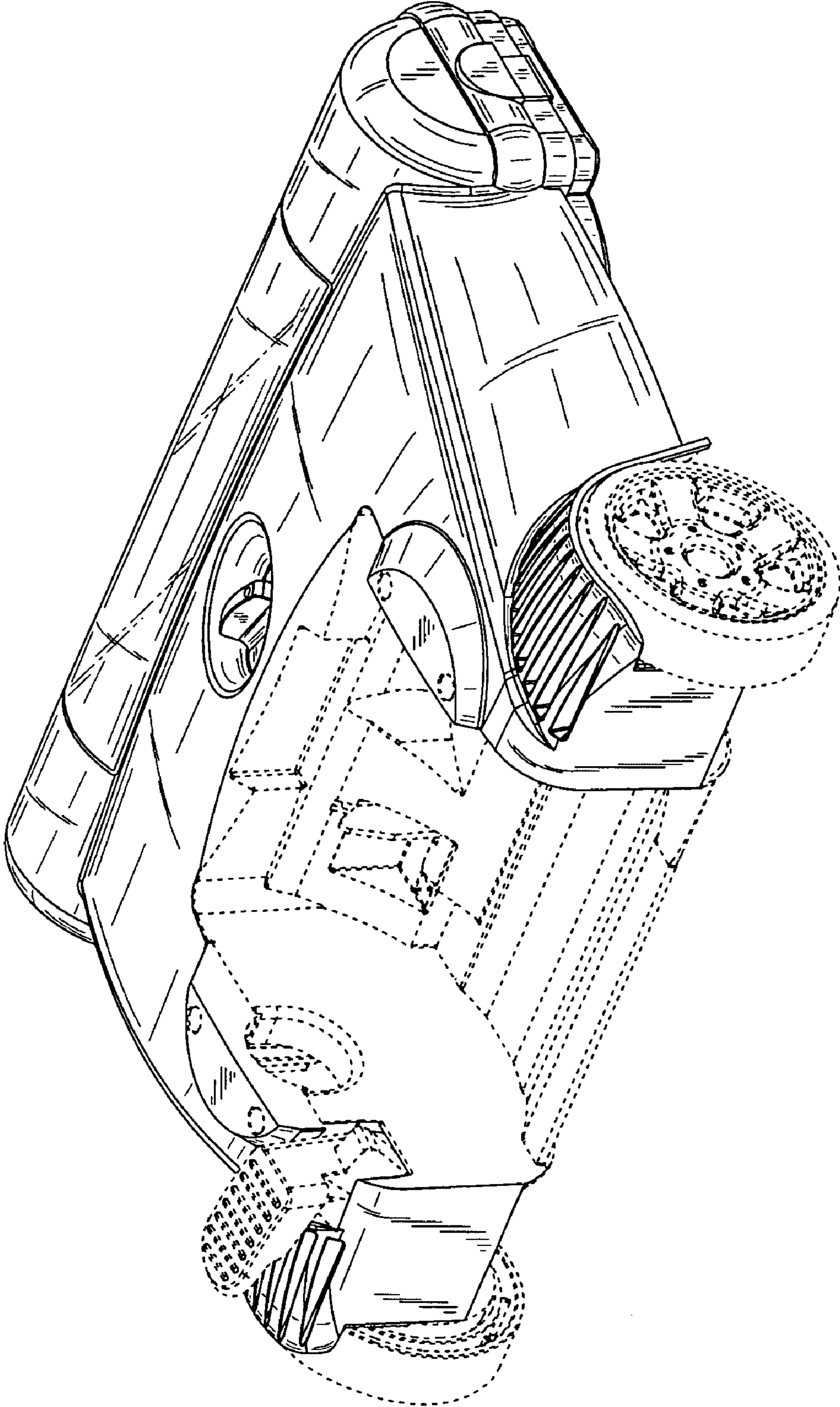


Fig. 7