

US00D597266S

(12) **United States Design Patent**
Simpson et al.

(10) **Patent No.:** **US D597,266 S**
(45) **Date of Patent:** **** Jul. 28, 2009**

(54) **DOUBLE-TIER PET FURNITURE PIECE**

D148,956 S * 3/1948 Rhodes D6/338

(75) Inventors: **Jeffrey M. Simpson**, 381 Oak Ridge Dr.,
Auburn, AL (US) 36830; **Gary L. Rockwell**, Auburn, AL (US)

(Continued)

(73) Assignee: **Jeffrey M. Simpson**, Auburn, AL (US)

(**) Term: **14 Years**

(21) Appl. No.: **29/303,013**

(22) Filed: **Jan. 30, 2008**

(51) **LOC (9) Cl.** **30-99**

(52) **U.S. Cl.** **D30/199; D30/160**

(58) **Field of Classification Search** D30/118-120,
D30/160, 158, 199; 119/708, 706, 165, 753,
119/751, 752, 756, 722, 723, 600, 755, 28.5;
D6/480-489, 425, 495-499, 400, 429-431,
D6/392, 368, 352, 397, 396, 384, 382, 460,
D6/454, 451, 426, 477, 349, 338, 330, 335,
D6/340, 360; 108/115, 24, 50.11, 144.11,
108/147, 150, 151, 153.1, 161, 155, 156,
108/157.1, 146, 147.19, 139, 147.2, 118,
108/173, 174, 50.01, 94, 50.02, 23, 132;
5/655, 98.2, 111, 606, 611; D24/183; 297/271.1,
297/423.11, 423.43, DIG. 7, 172, 158.4;
D7/554.3; 248/188, 188.1, 188.7, 188.8,
248/407; 312/312, 223.6, 194, 223.1

See application file for complete search history.

(56) **References Cited**

U.S. PATENT DOCUMENTS

1,919,193 A * 7/1933 Beiger 248/188.3
D139,325 S * 10/1944 Gass D6/349

OTHER PUBLICATIONS

www.drsofostersmith.com; Cat Supplies; Dec. 14, 2007; 6 pages.

Primary Examiner—Susan Moon Lee

(74) *Attorney, Agent, or Firm*—Gardner Groff Greenwald & Villanueva, PC

(57) **CLAIM**

We claim the ornamental design for a double-tier pet furniture piece, as shown and described.

DESCRIPTION

FIG. 1 is a perspective view of a double-tier pet furniture piece according to a first embodiment of the design.

FIG. 2 is a first side view of the double-tier pet furniture piece of FIG. 1.

FIG. 3 is a first end view of the double-tier pet furniture piece of FIG. 1.

FIG. 4 is a second side view of the double-tier pet furniture piece of FIG. 1.

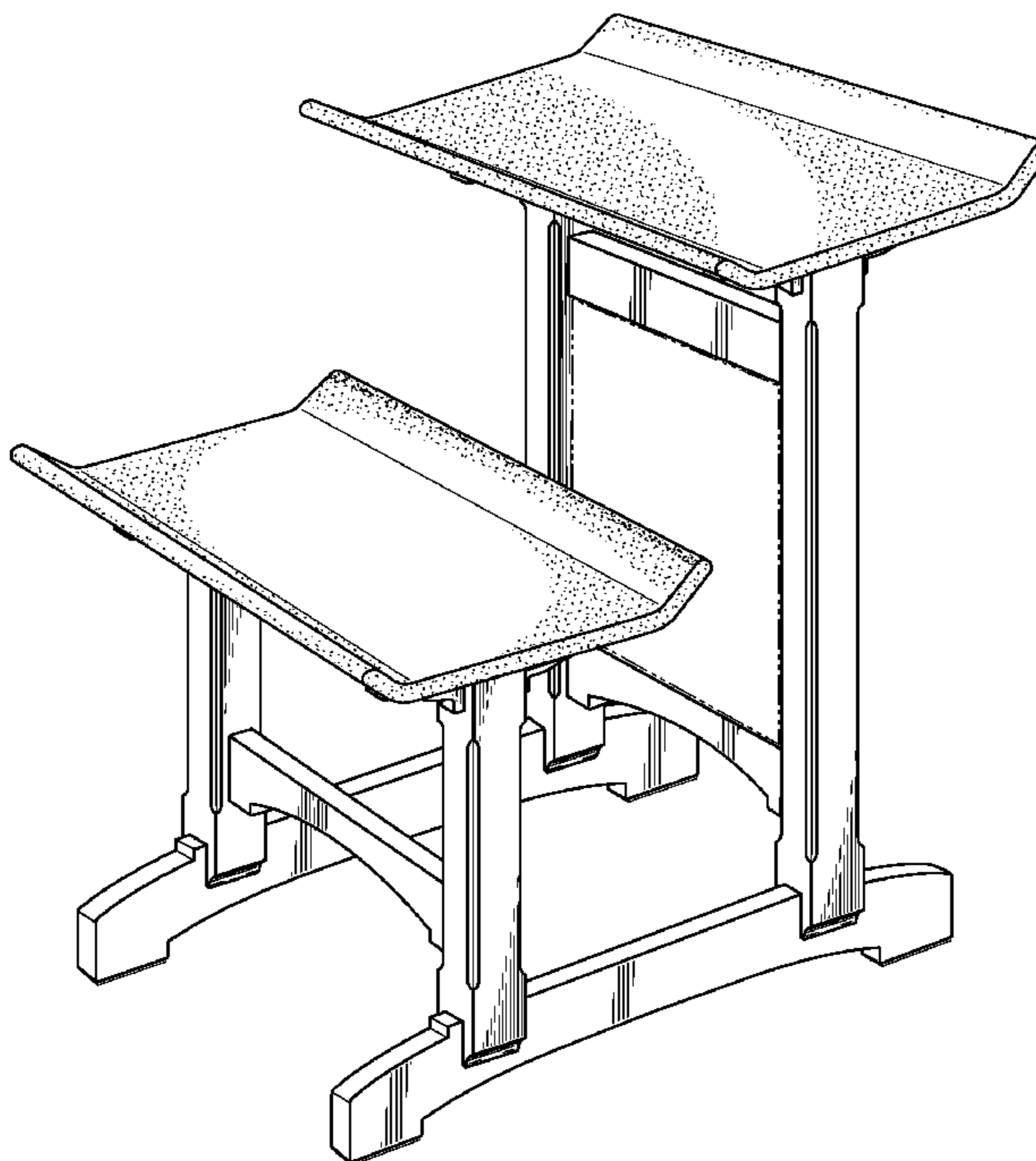
FIG. 5 is a second end view of the double-tier pet furniture piece of FIG. 1.

FIG. 6 is a top view of the double-tier pet furniture piece of FIG. 1; and,

FIG. 7 is a bottom view of the double-tier pet furniture piece of FIG. 1.

Portions shown in broken lines are for illustrative purposes only and form no part of the claimed design.

1 Claim, 7 Drawing Sheets



US D597,266 S

U.S. PATENT DOCUMENTS

D151,119 S *	9/1948	Eames	D6/483	5,758,586 A *	6/1998	Kieser et al.	108/147
D161,752 S *	1/1951	Hart	D7/554.3	D399,077 S *	10/1998	Lepper et al.	D6/484
D169,012 S *	3/1953	Musacco	D6/338	D400,729 S *	11/1998	Stanford	D6/426
D173,120 S *	9/1954	Levenhagen	D7/554.3	D406,201 S *	3/1999	Olson et al.	D6/426
D178,989 S *	10/1956	Eilert	D6/338	D409,020 S *	5/1999	Hardin	D6/480
2,787,087 A *	4/1957	Whitman	248/188.3	5,906,420 A *	5/1999	Rozier et al.	312/223.6
D197,653 S *	3/1964	Sundberg et al.	D6/496	6,003,452 A *	12/1999	Moore	108/92
D236,058 S *	7/1975	Kramer	D6/484	D424,827 S *	5/2000	Ko	D6/429
D242,008 S *	10/1976	Salsgiver	D6/474	6,158,357 A *	12/2000	Shih	108/50.01
4,077,333 A *	3/1978	Ballas	108/6	D437,152 S *	2/2001	Brown et al.	D6/495
D257,653 S *	12/1980	Berlic	D6/480	D446,045 S *	8/2001	Hunt et al.	D6/426
4,289,350 A *	9/1981	Thomas et al.	297/172	D451,306 S *	12/2001	Dow	D6/474
D266,468 S *	10/1982	Ylanko	D6/431	6,332,407 B1 *	12/2001	Vardaro	108/50.01
D274,586 S *	7/1984	Cope et al.	D6/420	D452,620 S *	1/2002	Wang	D6/426
D277,056 S *	1/1985	Nicholson	D6/420	D456,169 S *	4/2002	Ko	D6/425
D283,094 S *	3/1986	Strand et al.	D6/478	D456,632 S *	5/2002	Chang	D6/425
D283,563 S *	4/1986	Arroyo	D6/338	D463,166 S *	9/2002	Russell et al.	D6/485
4,604,955 A *	8/1986	Fleischer et al.	108/147	D474,356 S *	5/2003	Bosman et al.	D6/487
D286,353 S *	10/1986	Robolin	D6/474	D489,551 S *	5/2004	Cesaroni et al.	D6/480
D287,669 S *	1/1987	Opsvik	D6/330	D489,922 S *	5/2004	Choi et al.	D6/499
D288,750 S *	3/1987	Friedman	D6/429	D497,232 S *	10/2004	McDiarmid	D34/21
D290,199 S *	6/1987	Hampshire	D6/431	D498,091 S *	11/2004	Winter et al.	D6/495
D292,756 S *	11/1987	Opsvik	D6/335	D501,741 S *	2/2005	Risdall	D6/480
D295,119 S *	4/1988	Gusrud	D6/330	D510,821 S *	10/2005	Madison	D6/425
D296,959 S *	8/1988	Gusrud	D6/330	D512,587 S *	12/2005	Frenkler et al.	D6/480
D318,966 S *	8/1991	Schroff et al.	D6/474	D516,340 S *	3/2006	Chang	D6/425
D323,436 S *	1/1992	Harrison	D6/429	7,036,437 B2 *	5/2006	Choi et al.	108/118
D324,143 S *	2/1992	Hammond	D6/474	D523,663 S *	6/2006	Risdall	D6/480
D330,299 S *	10/1992	Saotome	D6/429	D535,506 S *	1/2007	Wilson	D6/503
D337,214 S *	7/1993	Barrons et al.	D6/431	D536,193 S *	2/2007	Sapp	D6/425
D345,267 S *	3/1994	Moore	D6/474	D557,522 S *	12/2007	Stapleton	D6/484
5,323,695 A *	6/1994	Borgman et al.	108/147	D559,592 S *	1/2008	Glass et al.	D6/499
D352,406 S *	11/1994	Scheffers	D6/480	D560,084 S *	1/2008	Glass et al.	D6/499
5,443,017 A *	8/1995	Wacker et al.	108/3	D560,085 S *	1/2008	Glass et al.	D6/499
D370,796 S *	6/1996	Beck	D6/431	D563,697 S *	3/2008	Glass et al.	D6/499
D372,817 S *	8/1996	Stevens	D6/474	D577,517 S *	9/2008	Kumazawa	D6/499
D379,886 S *	6/1997	Towfigh	D6/479	D578,324 S *	10/2008	Glass et al.	D6/495
5,715,760 A *	2/1998	Frascaroli et al.	108/50.02	D578,327 S *	10/2008	Birsel et al.	D6/511
D394,965 S *	6/1998	Fang	D6/474				

* cited by examiner

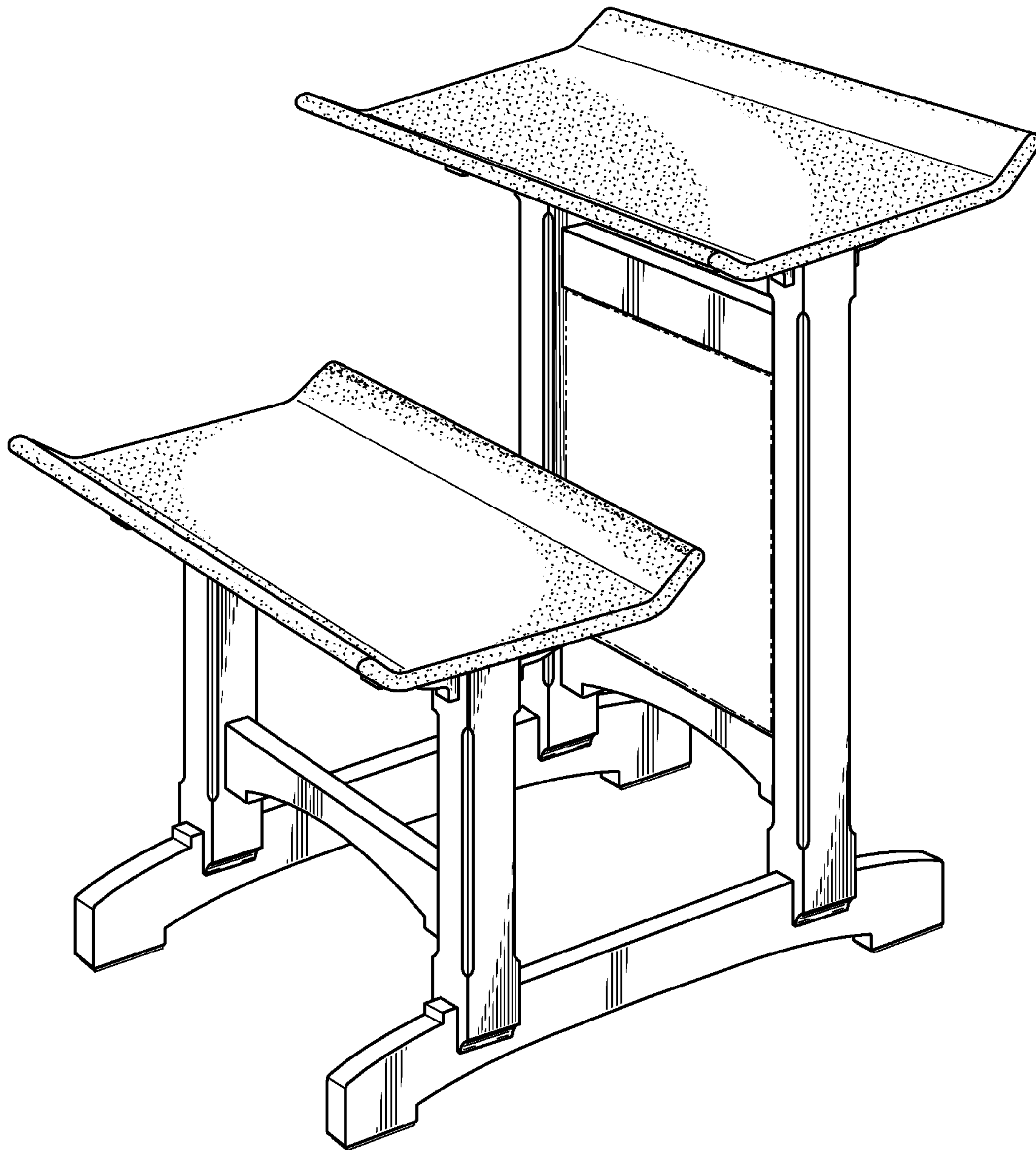


Fig. 1

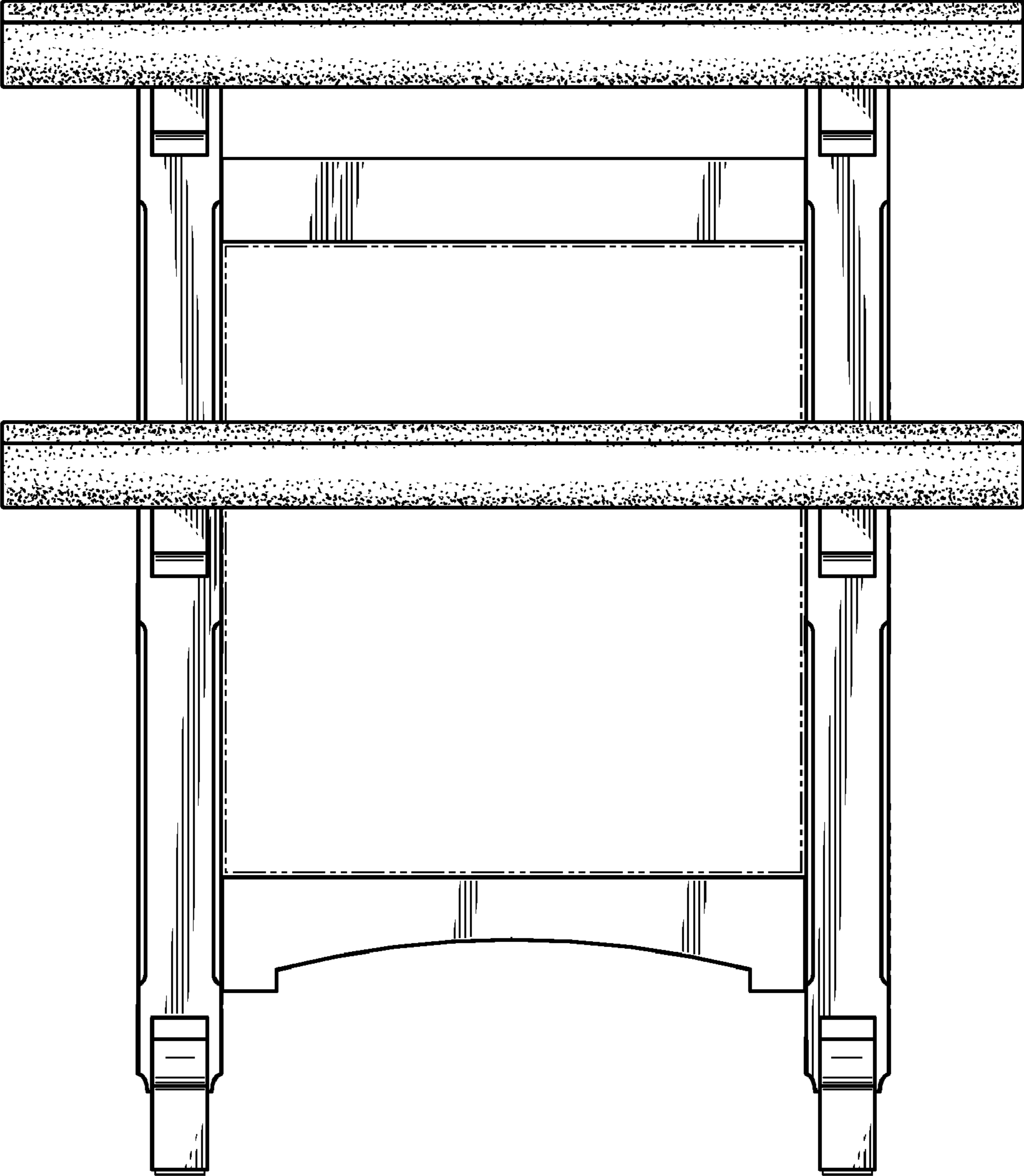


Fig. 2

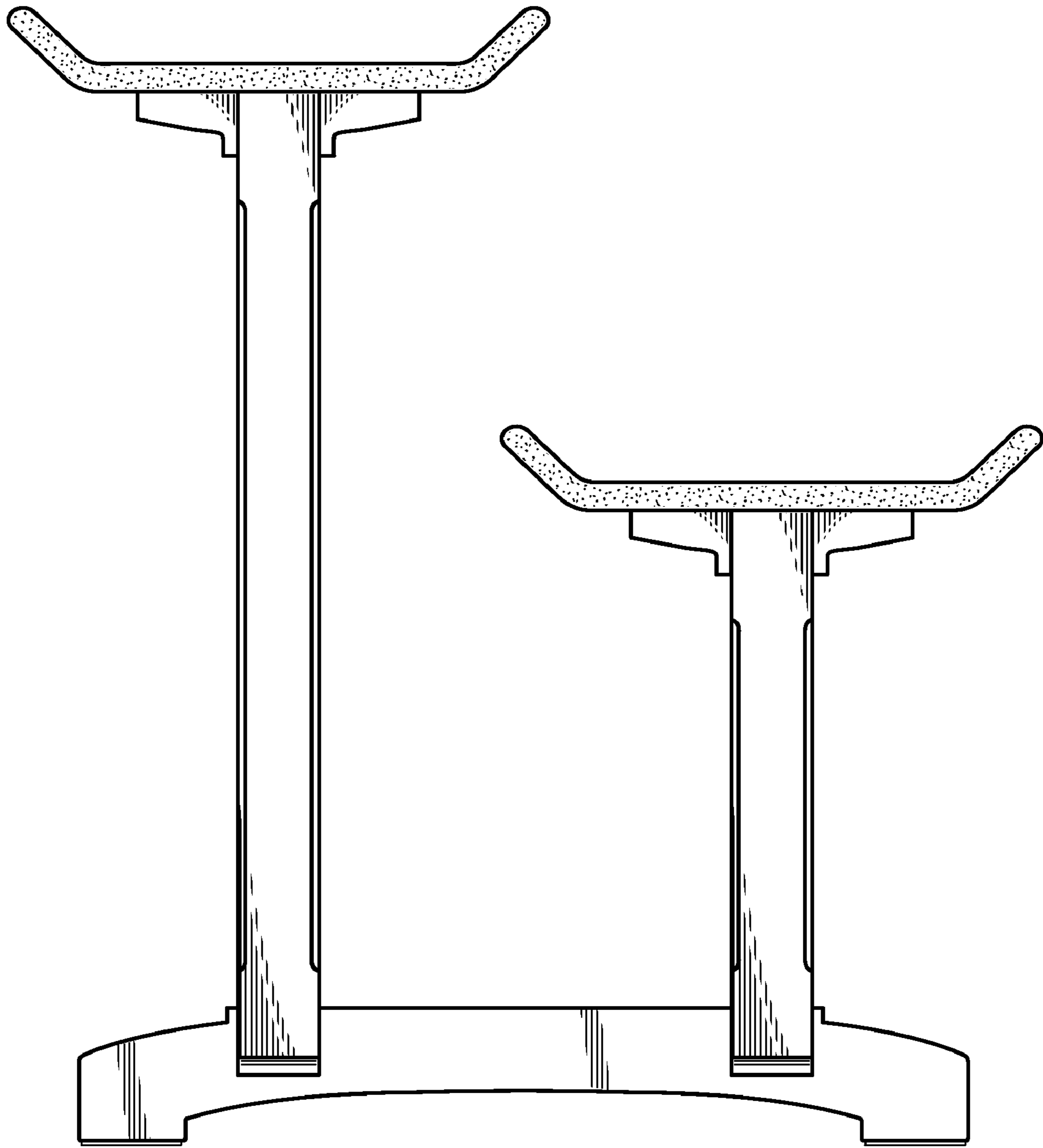


Fig. 3

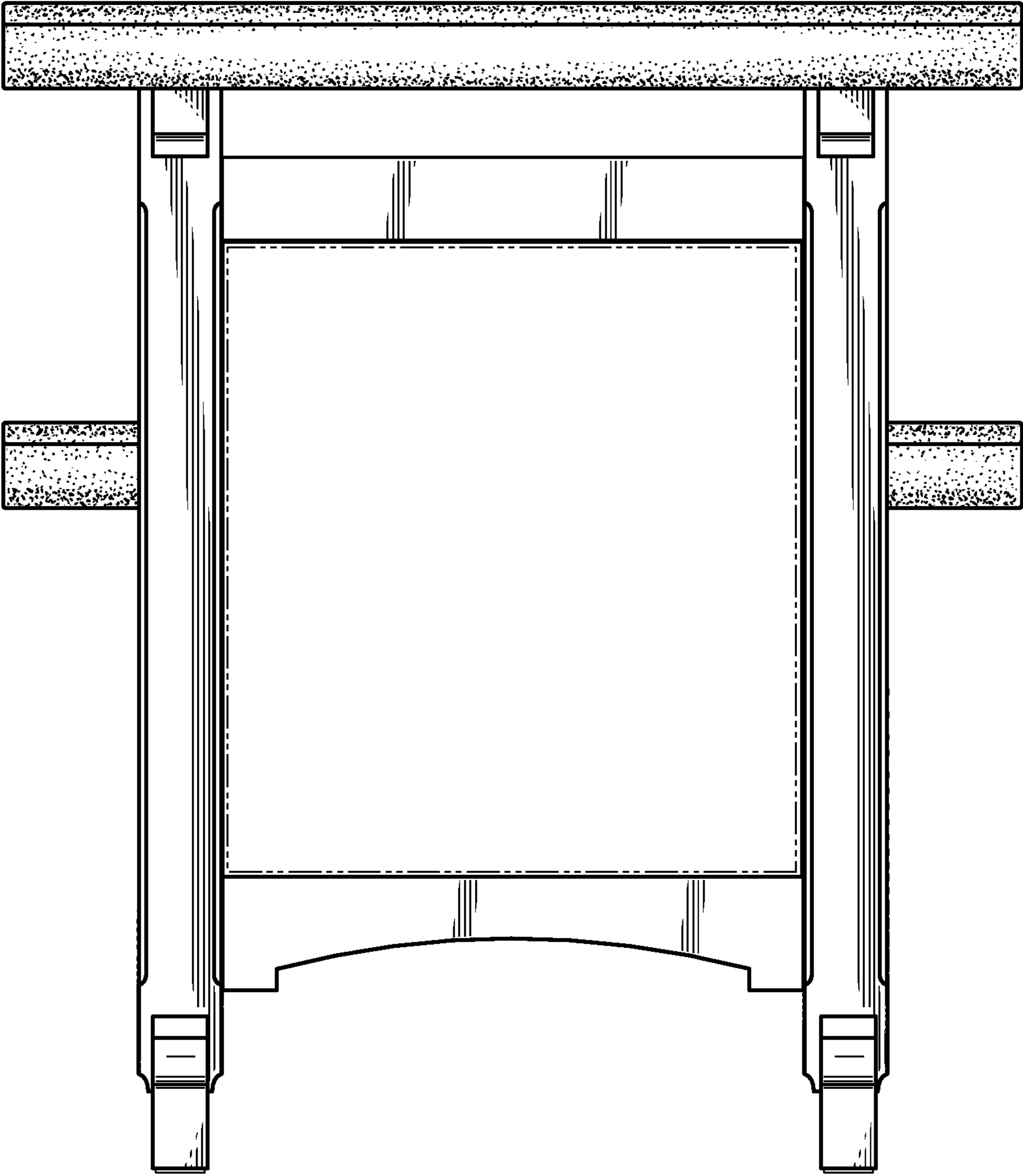


Fig. 4

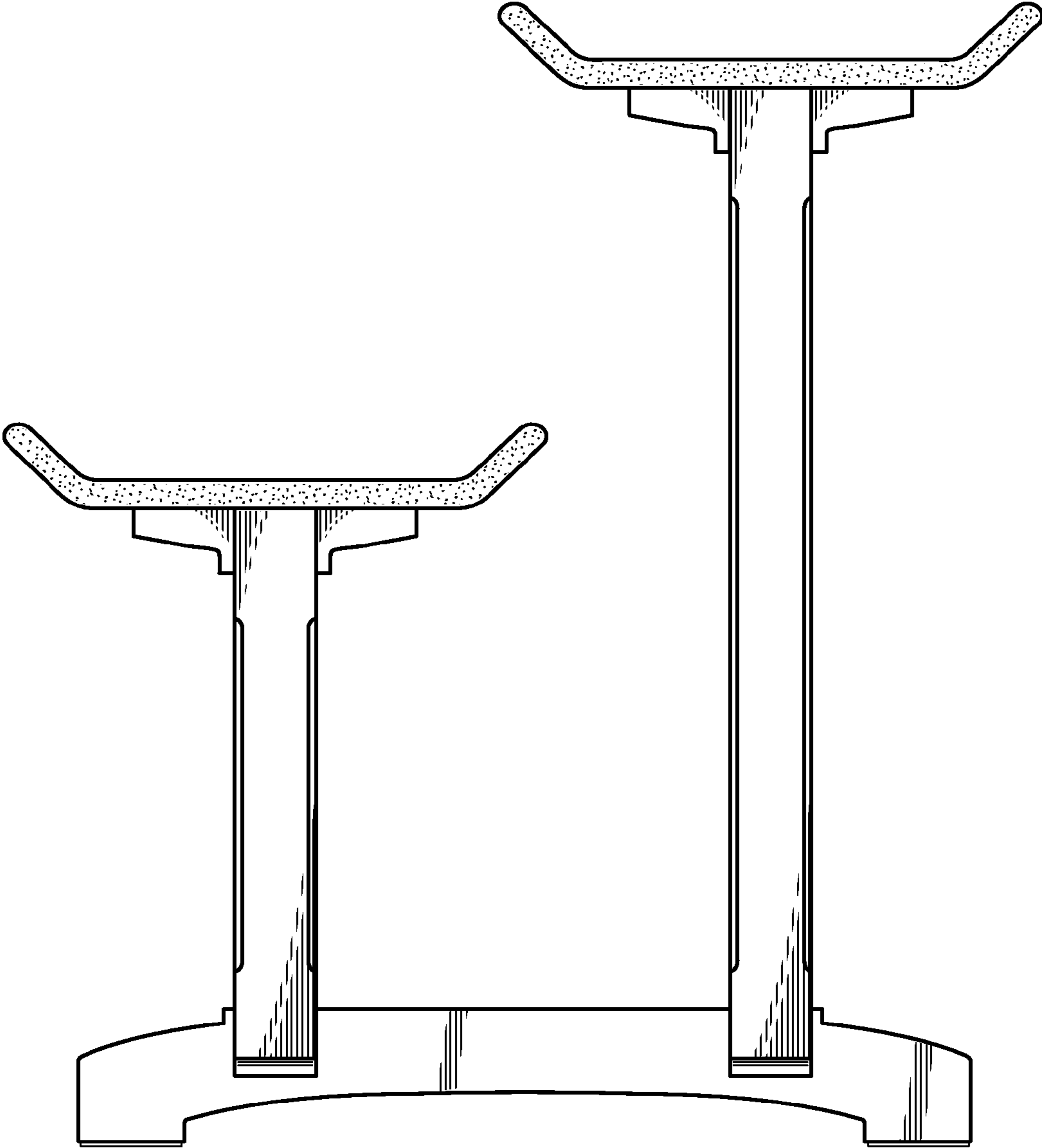


Fig. 5

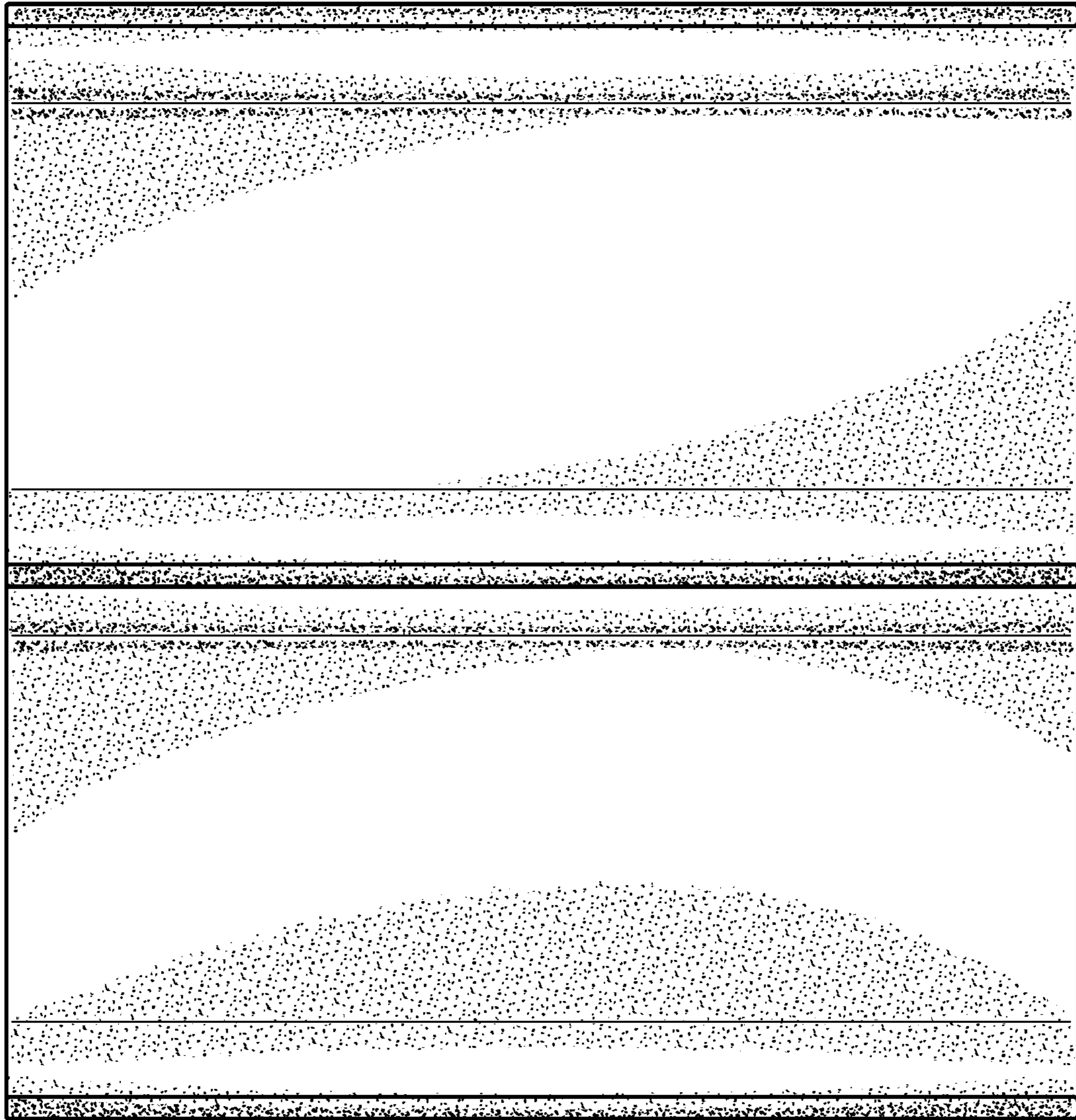


Fig. 6

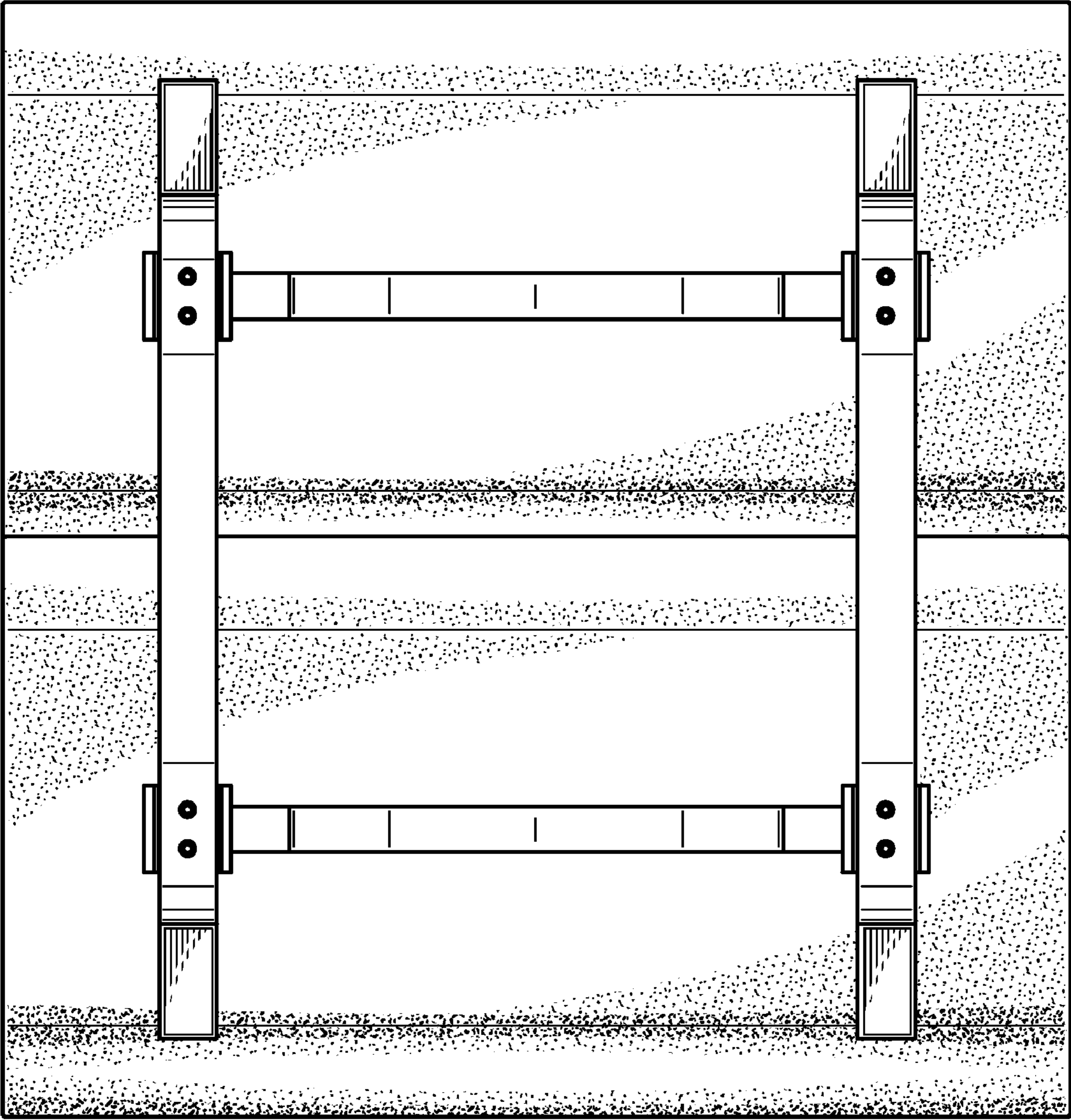


Fig. 7